

## Parts Catalog

Serial nr.

**P-1690-000-000-01**

Section 01	Pag.05
• Cabin	
Section 02	Pag.27
• Tank	
Section 03	Pag.39
• Power unit Tier IV	
Section 04	Pag.53
• Power unit Stage V	
Section 05	Pag.67
• Back axle	
Section 06	Pag.75
• Main frame	
Section 07	Pag.85
• Mast	
Section 08	Pag.99
• Hydraulic plant	

## Ciommecalabria srl

Viale S. Pertini, 86, 25046

Cazzago S. Martino (BS) – Italy

Phone: (0039) 030-7254118

Fax: (0039) 030-7759992

Website: [www.cmcindustries.com](http://www.cmcindustries.com)

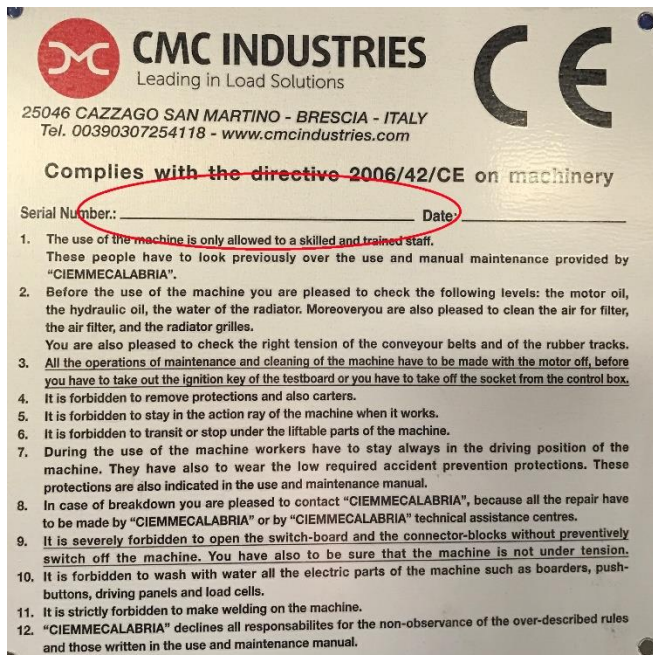
**Subject:** Technical Manual, Serial Number, and Warranty

**Dear Customer,**

Congratulations and thank you for purchasing one of our CMC products.

The purpose of this Technical Manual / Parts Manual is to allow an easy code identification of the components of the machinery purchased by you, and to provide immediate assistance handling your questions or requests in the best way possible.

Each Technical Manual has a serial number, this number matches also with the "Serial Number" that identifies your new machinery. You can easily find the "Serial Number" on the machine by the identification plate, as shown on the picture below.



Please keep your "Serial Number" and Technical Manual always close with you

when communicating with CMC, in case you have any doubts or requests.

Along with this paper version there is available a **full copy in electronic format.**

If necessary, we kindly ask you to consult the digital version, and for quotations requests relating to spare parts, to use the model MOD D 82 that you can find in the paper manual and in the electronic format.

Once completed, please fax it to +39 030 77 59 992 or by mail to:

[a.sierchio@cmcindustries.com](mailto:a.sierchio@cmcindustries.com)

[s.dosselli@cmcindustries.com](mailto:s.dosselli@cmcindustries.com)

As for the "Warranty", we ask you to consult our Warranty Conditions attached to the owner's manual. Please remember never to tamper (open, disassemble, etc) with any part of the machine when you want to apply for Warranty Recognition, unless you have received explicit instruction from CMC to do otherwise.

We thank you for your kind cooperation, and remain at your disposal for any further information.

Best regards,

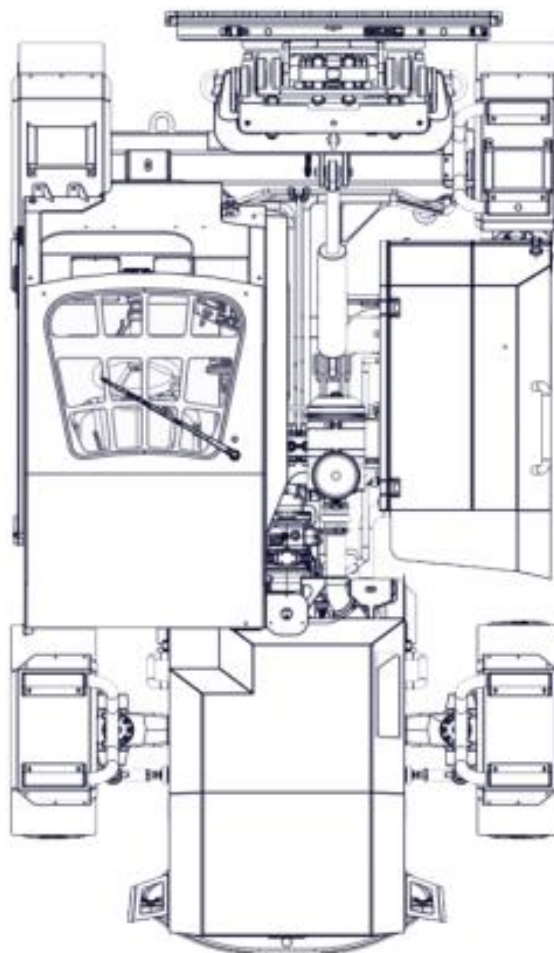
Eng. Andrea Sierchio

Customer Service Manager

CMC Industries



Front side



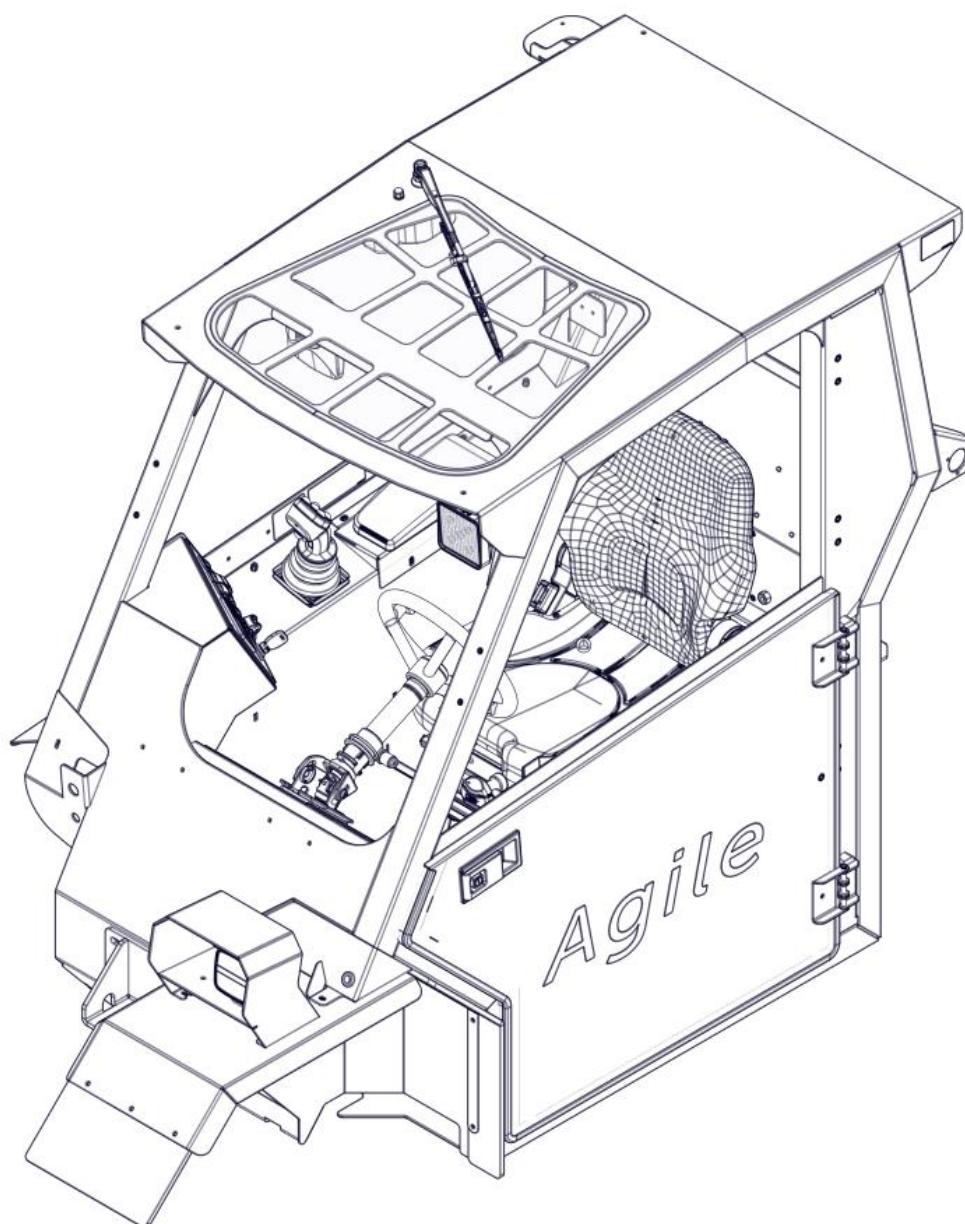
Lt side

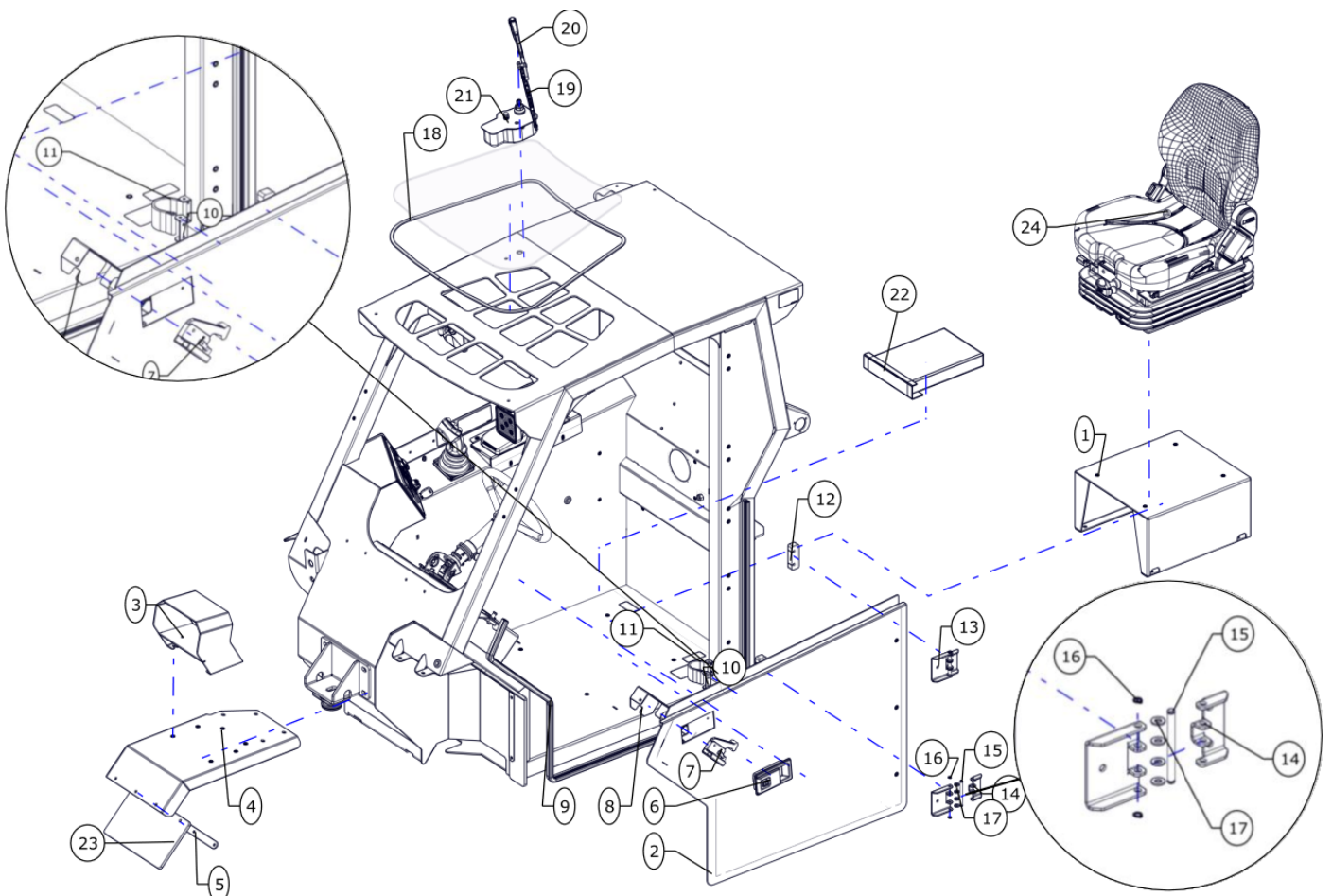
Rt side

Back side

## Section 01

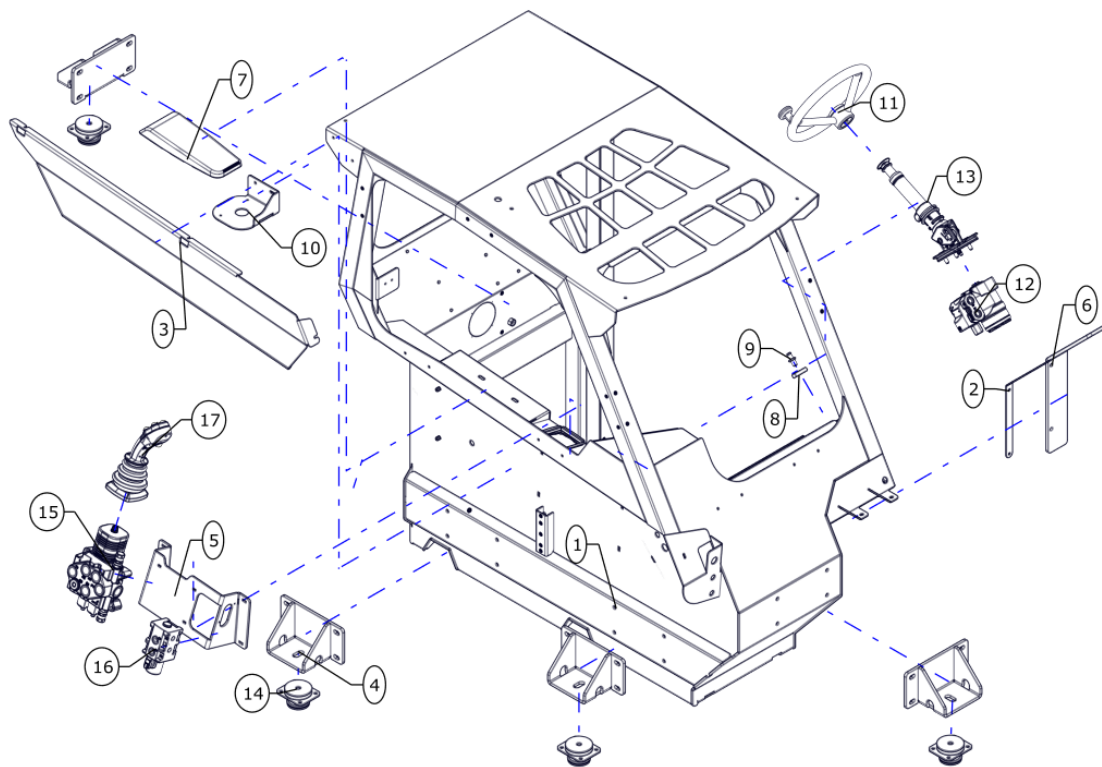
- Cabin
  - Cabin assembly \_\_\_\_\_ Pag.06
  - Cabin electric elements \_\_\_\_\_ Pag.12
  - Cabin close kit assembly \_\_\_\_\_ Pag.20
  - Cabin A/C assembly \_\_\_\_\_ Pag.22





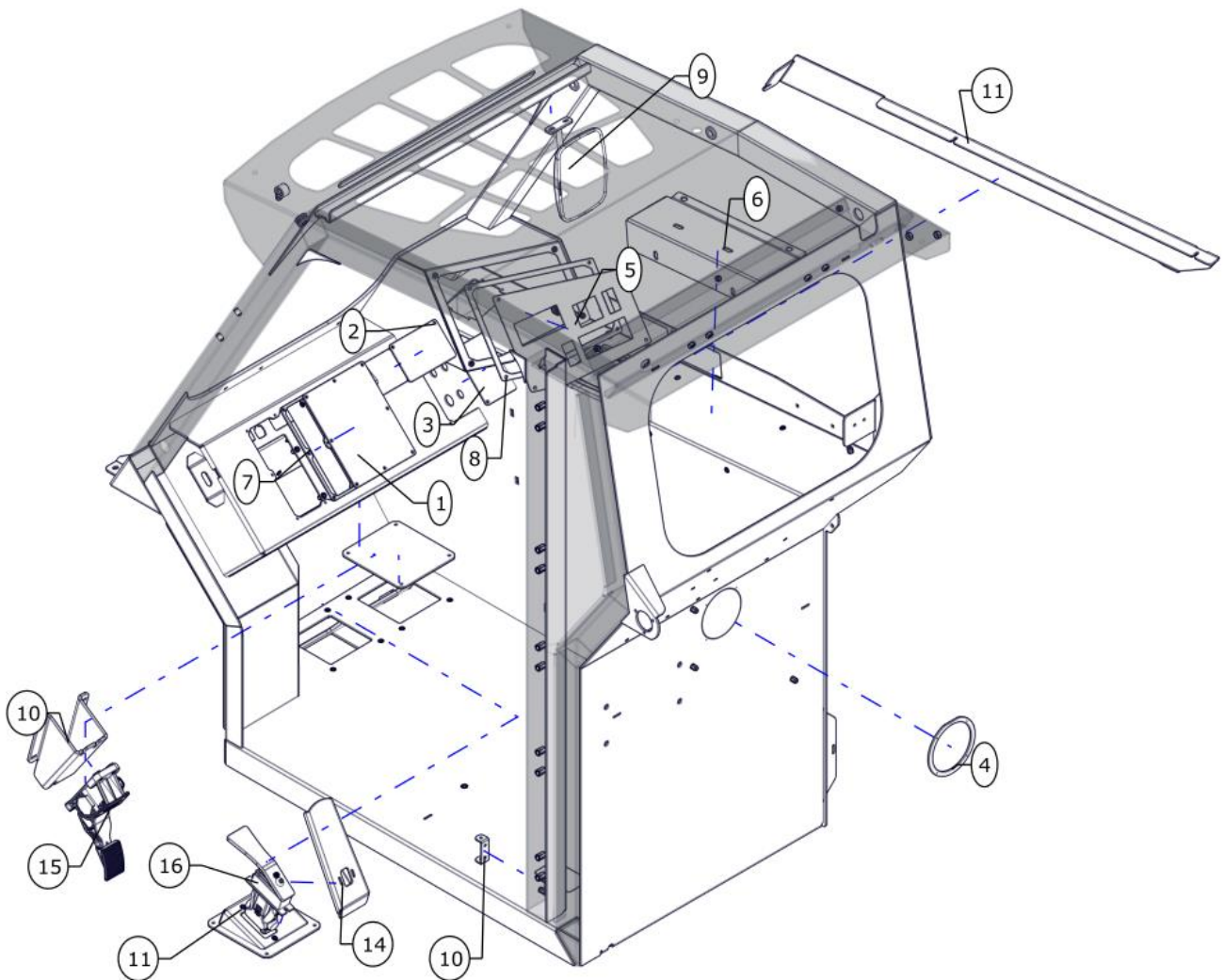
Tab.01

ID	Code	Description	Q.ty
1	A-AGLE-010-00058	Welded assembly	1
2	A-AGLE-010-00057	Welded assembly	1
3	A-AGLE-010-00089	Welded assembly	1
4	A-AGLE-010-00059	Welded assembly	1
5	A-AGLE-020-00459	Plate	1
6	C-ELCH-MAN-00003	Handle	1
7	C-ELCH-SER-00004	Lock	1
8	A-AGLE-020-00404	Plate	1
9	A-AGLE-040-00022	Gasket	1
10	A-AGLE-020-00037	Plate	1
11	C-ECOL-GRA-00008	Rapid hook	1
12	A-AGLE-020-00406	Plate	2
13	A-AGLF-020-00225	Hinge base	2
14	A-AGLF-020-00224	Hinge base	2
15	A-AGLF-030-00012	Pin	2
16	Z-SEEG-EST-00002	Seeger	4
17	C-ETNA-GUR-00044	Washer	8
18	A-AGLE-020-00124	Plate	2
19	C-TSBS-SPZ-00004	Wiper brush	1
20	C-TSBS-BRA-00005	Wimper arm	1
21	C-TSBS-TRG-00004	Motor	1
22	G-0000-160-00001	Folder	1
23	A-AGLE-031-00020	Rubber	1
24	C-PSLS-SED-00009	Seat	1



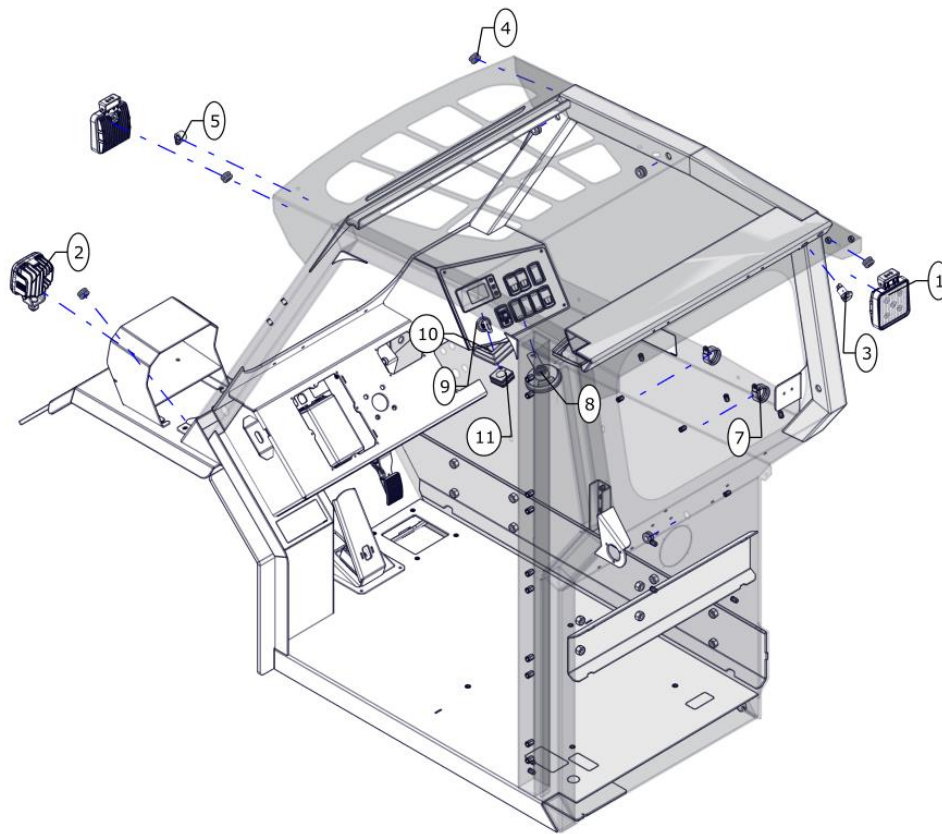
Tab.02

<b>ID</b>	<b>Code</b>	<b>Description</b>	<b>Q.ty</b>
1	A-AGLE-010-00055	Welded assembly	1
2	A-AGLE-020-00461	Plate	1
3	A-AGLE-020-00491	Plate	1
4	A-EGL4-020-00328	Plate	4
5	A-AGLE-020-00380	Plate	1
6	A-AGLE-031-00017	Rubber	1
7	C-PSLS-SED-00005	Arm rest	1
8	A-AGLE-020-00048	Plate	1
9	C-ELCH-SER-00009	Pin	1
10	A-EGL4-020-00343	Plate	1
11	C-PSLS-CST-00001	Steering wheel	1
12	C-OLEO-IDR-00002	Hydraulic assistance steering	1
13	C-PSLS-CST-00004	Steering column	1
14	C-ANTV-000-00033	Vibration pad	4
15	C-OLEO-DIS-00003	Hydraulic distributor	1
16	C-OLEO-VAL-00119	Flow deviator	1
17	C-ELET-PNO-00074	Joystick	1



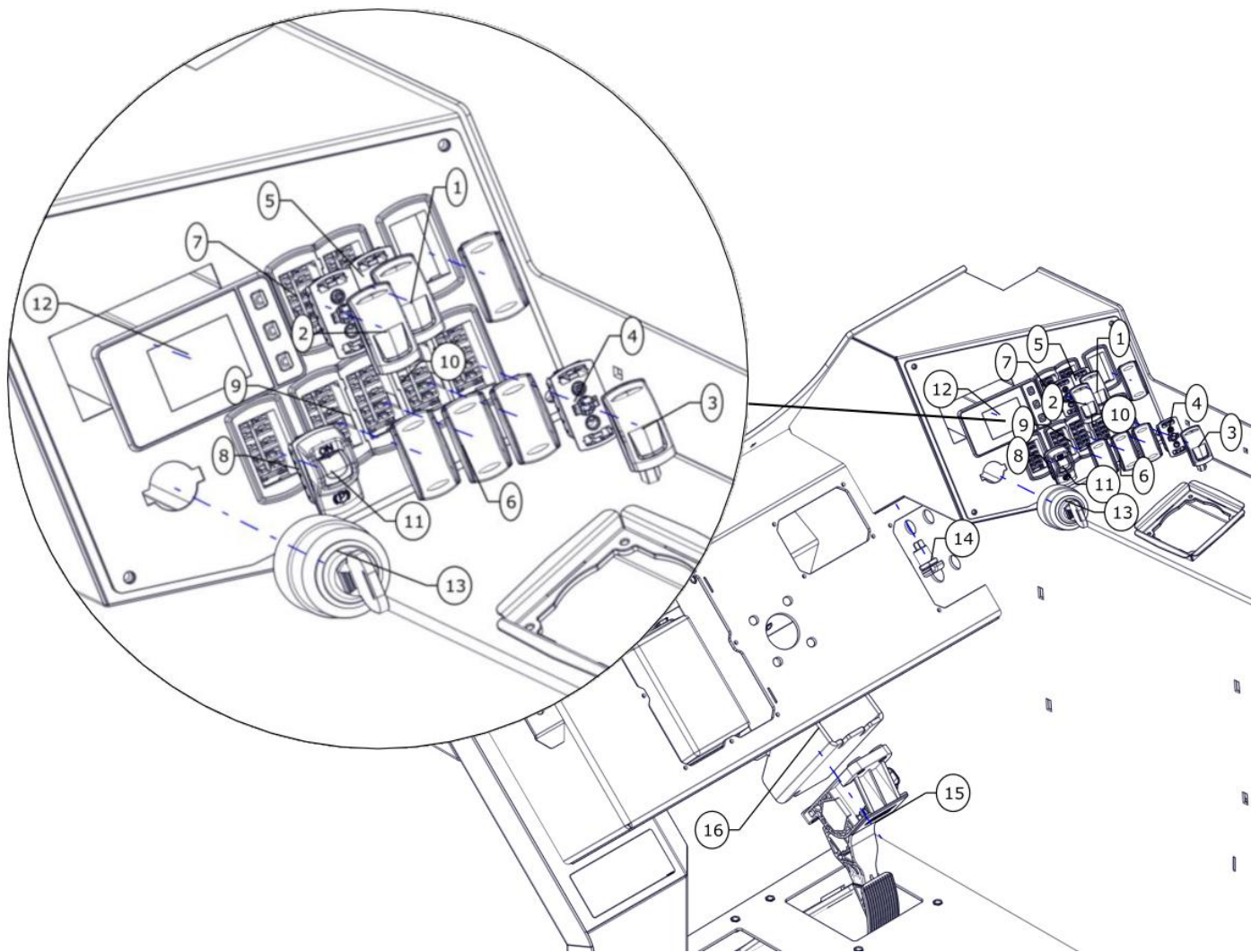
Tab.03

<b>ID</b>	<b>Code</b>	<b>Description</b>	<b>Q.ty</b>
1	A-AGLE-020-00394	Plate	1
2	A-AGLE-020-00408	Plate	1
3	A-AGLE-020-00408	Plate	1
4	A-AGLE-020-00471	Plate	1
5	A-AGLE-020-00398	Plate	1
6	A-EGL4-020-00341	Plate	1
7	A-AGLE-031-00016	Fuse box gasket	1
8	A-AGLE-031-00015	Operator panel gasket	1
9	C-TSBS-VTS-00005	Rear view mirror	1
10	A-EGL4-020-00214	Plate	1
11	A-AGLE-010-00056	Welded assembly	1
12	A-AGLE-020-00037	Plate	1
13	A-AGLE-020-00491	Plate	1
14	A-AGLE-010-00073	Inching pedal	1
15	C-PSLS-PED-00006	Pedal	1
16	C-OLEO-SVC-00006	Inching pedal group	1



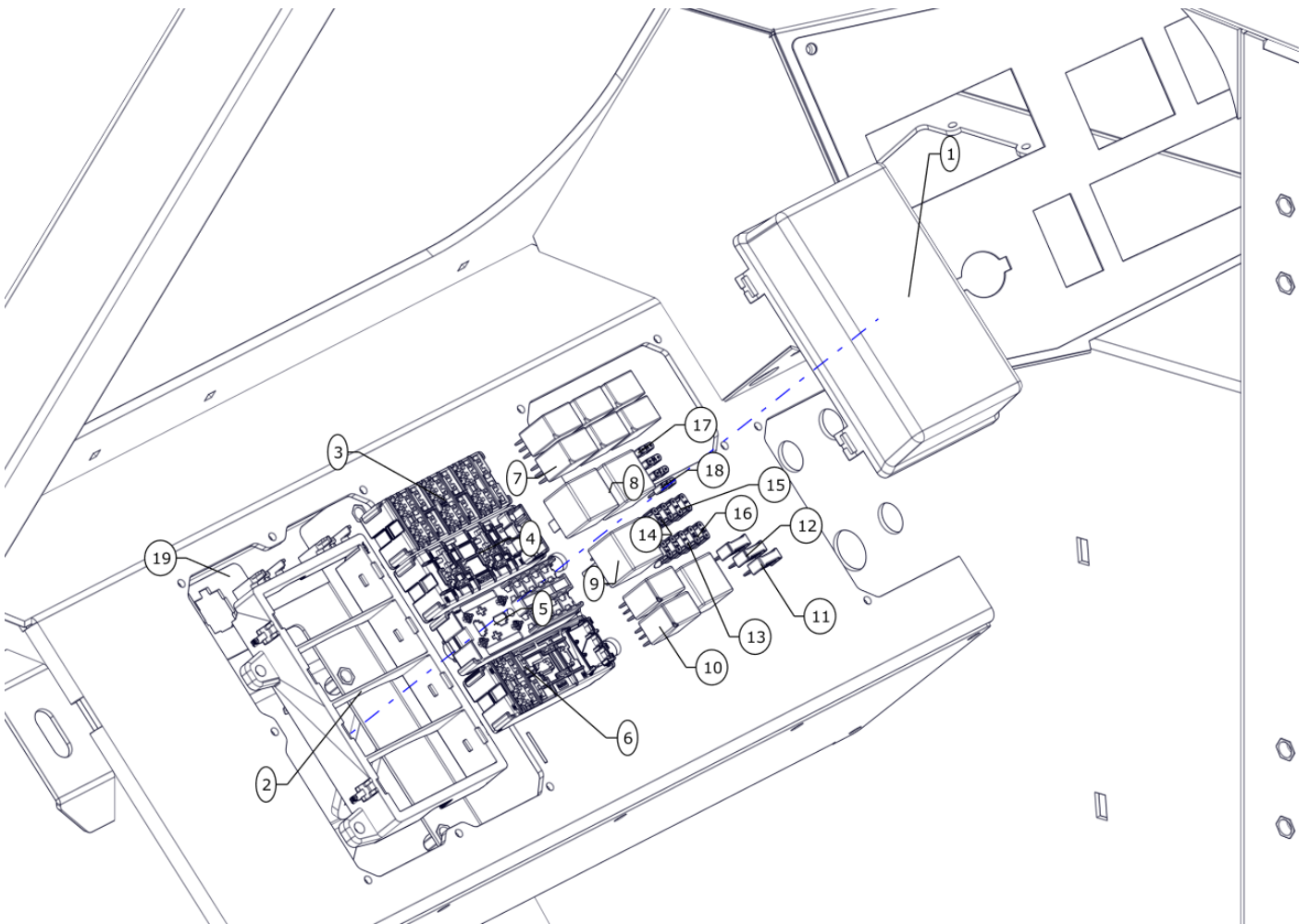
Tab.04

<b>ID</b>	<b>Code</b>	<b>Description</b>	<b>Q.ty</b>
1	C-ELET-ILL-00061	LED light	2
2	C-ELET-ILL-00052	Red Led light	1
3	C-ELET-SPN-00037	Plug-Socket	1
4	C-TSBS-VTS-00007	Grommet	7
5	C-ELET-STF-00016	Collar	1
6	A-AGLE-020-00360	Plate	1
7	C-ELET-STF-00008	Collar	2
8	C-ELET-PNO-00070	Operator panel component	1
9	C-ELET-RCE-00076	Grommet	1
10	C-ELET-RCE-00075	Grommet	1
11	C-ELET-RCE-00115	Grommet	1



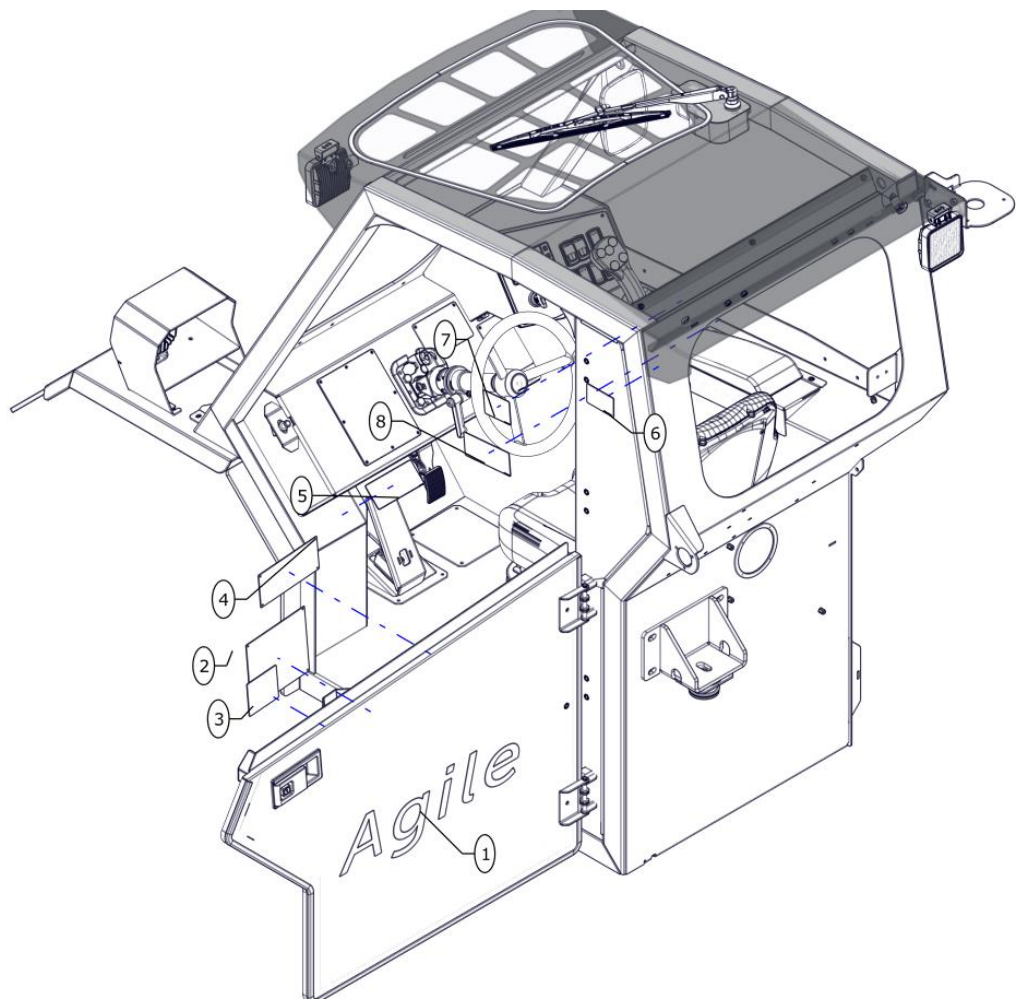
Tab.05

<b>ID</b>	<b>Code</b>	<b>Description</b>	<b>Q.ty</b>
1	C-ELET-PNO-00308	Switch	1
2	C-ELET-PNO-00307	Switch	1
3	C-ELET-PNO-00309	Switch	1
4	C-ELET-PNO-00311	Switch	1
5	C-ELET-PNO-00306	Switch	2
6	C-ELET-PNO-00310	Cap	4
7	C-ELET-CON-00155	Connector	7
8	C-ELET-PNO-00304	Switch base	2
9	C-ELET-PNO-00302	Switch base	4
10	C-ELET-PNO-00303	Switch base	2
11	C-ELET-PNO-00305	Switch	1
12	C-ELET-PNO-00146	Display	1
13	C-ELET-PNO-00003	Key start	1
14	C-ELET-SPN-00037	Plug-Socket	1
15	C-PSLS-PED-00006	Pedal	1
16	A-EGL4-020-00214	Plate	1



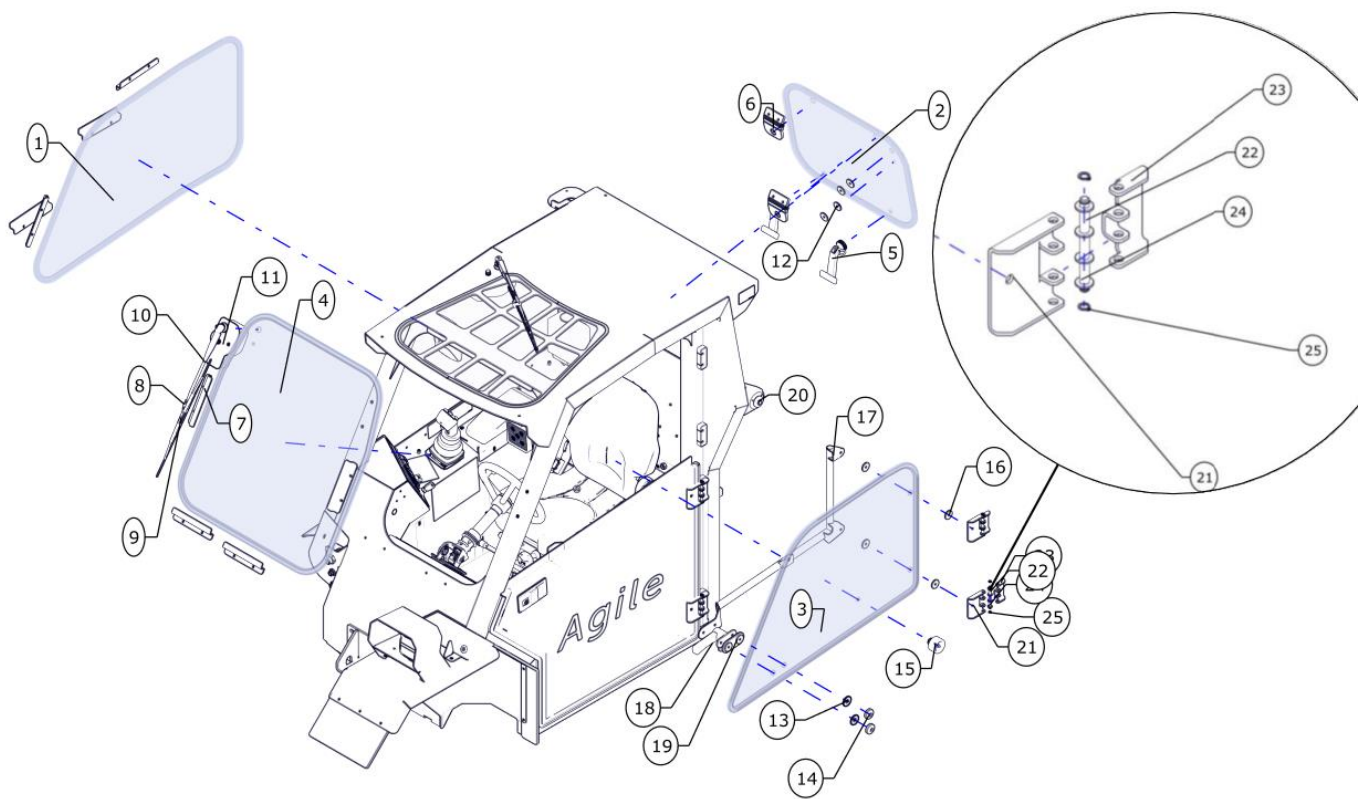
Tab.06

<b>ID</b>	<b>Code</b>	<b>Description</b>	<b>Q.ty</b>
1	C-ELET-QUE-00642	Fuse cover	1
2	C-ELET-QUE-00643	Fuse carrier 4 module	1
3	C-ELET-QUE-00662	6 microralay MTA module	1
4	C-ELET-QUE-00661	4 minifuse MTA module	1
5	C-ELET-QUE-00660	10 mini fuse MTA 10 module	1
6	C-ELET-QUE-00659	3 fuse + 1relay + 2 microrelay module	1
7	C-ELET-QUE-00630	Micro relais	6
8	C-ELET-QUE-00590	Relais	2
9	C-ELET-QUE-00549	Relais	2
10	C-ELET-QUE-00592	Microrelay	2
11	C-ELET-QUE-00625	Fuse	1
12	C-ELET-QUE-00624	Fuse	2
13	C-ELET-QUE-00626	Fuse	1
14	C-ELET-QUE-00628	Fuse	4
15	C-ELET-QUE-00627	Fuse	3
16	C-ELET-QUE-00629	Fuse	1
17	C-ELET-QUE-00626	Fuse	2
18	C-ELET-QUE-00628	Fuse	2
19	A-AGLE-020-00393	Plate	1



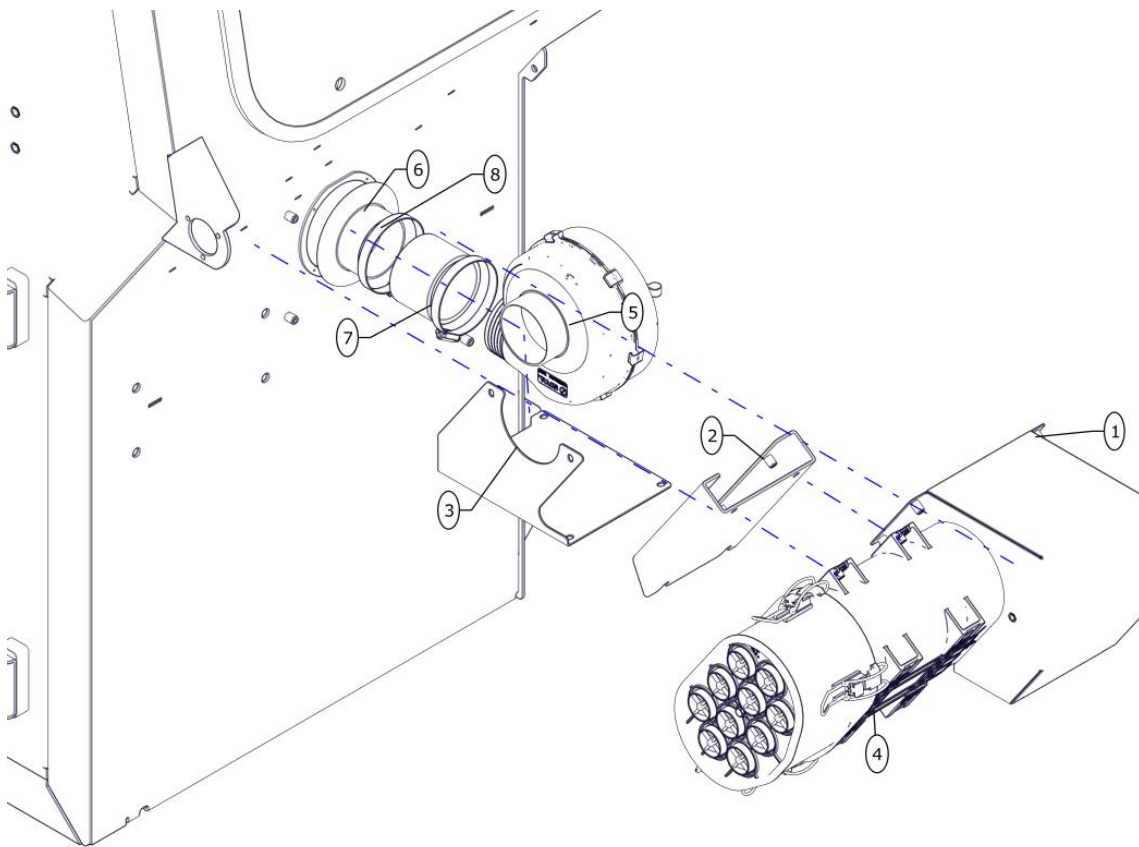
Tab.07

<b>ID</b>	<b>Code</b>	<b>Description</b>	<b>Q.ty</b>
1	A-AGLE-980-00001	Sticker/plate	1
2	G-0000-980-00156	Sticker/plate	1
3	G-0000-980-00134	Sticker/plate	1
4	G-0000-980-00164	Sticker/plate	1
5	G-0000-980-00199	Sticker/plate	1
6	G-0000-980-00150	Sticker/plate	1
7	G-0000-980-00195	Sticker/plate	1
8	G-0000-980-00198	Sticker/plate	1



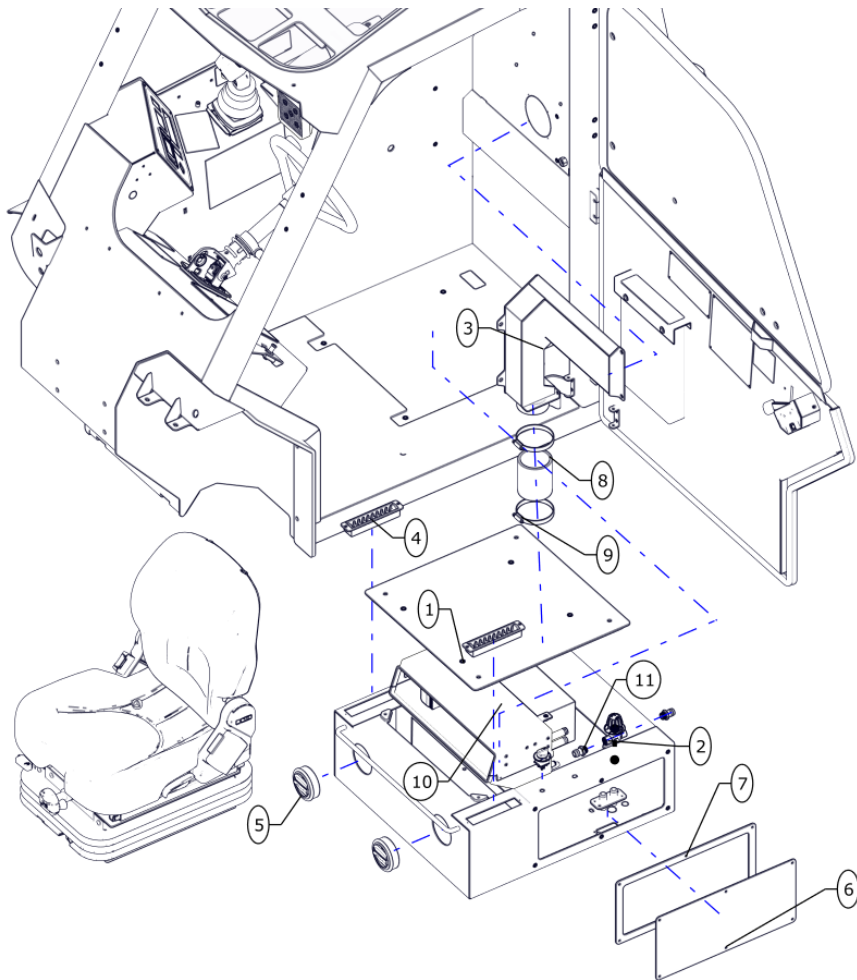
Tab.04

<b>ID</b>	<b>Code</b>	<b>Description</b>	<b>Q.ty</b>
1	A-AGLE-110-00002	Glass	1
2	A-AGLE-110-00004	Rear Window	1
3	A-AGLE-110-00003	Glass	1
4	A-AGLE-110-00001	Front window	1
5	C-ELCH-MAN-00007	Handle	2
6	C-ELCH-CER-00003	Hinge	2
7	A-AGLE-020-00004	Plate	8
8	C-TSBS-SPR-00002	Sprinkler	1
9	C-TSBS-SPZ-00001	Wiper brush	1
10	C-TSBS-BRA-00006	Wimper arm	1
11	C-TSBS-TRG-00002	Motor	1
12	C-ETNA-GUR-00003	Gasket	4
13	C-ETNA-GUR-00002	Gasket	2
14	C-TSBS-VTS-00002	Glass	2
15	C-ELCH-SER-00022	Lock	1
16	C-ETNA-GUR-00003	Gasket	6
17	A-AGLE-010-00001	Inner handle arm	1
18	C-ELCH-SER-00018	Lock	1
19	A-AGLE-020-00003	Plate	1
20	C-ELCH-SER-00022	Lock	1
21	A-AGLF-020-00225	Hinge base	2
22	A-AGLF-030-00012	Pin	2
23	A-AGLF-020-00224	Hinge base	2
24	C-ETNA-GUR-00044	Washer	8
25	Z-SEEG-EST-00002	Seeger	4



Tab.05

<b>ID</b>	<b>Code</b>	<b>Description</b>	<b>Q.ty</b>
1	A-AGLE-010-00094	Welded assembly	1
2	A-AGLE-010-00090	Welded assembly	1
3	A-AGLE-020-00481	Plate	1
4	C-FILT-AIR-00040	Air filter	1
5	C-CLIM-000-00044	Blower + 3 speed resistor	1
6	C-CLIM-000-00040	Suction inlet	1
7	C-ECOL-MAN-00049	Coupling	1
8	C-ECOL-FAS-00009	Clamp	2



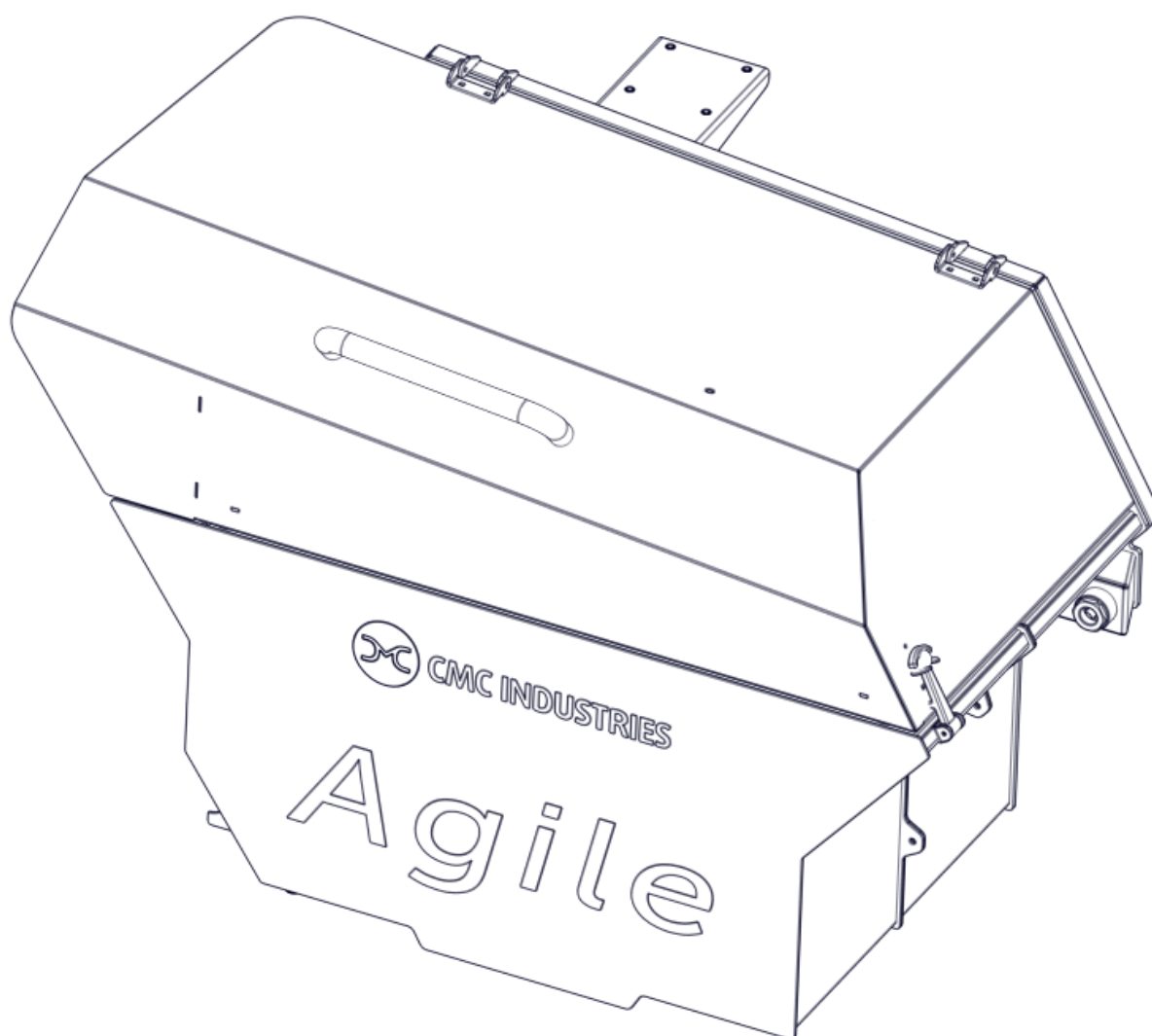
Tab.06

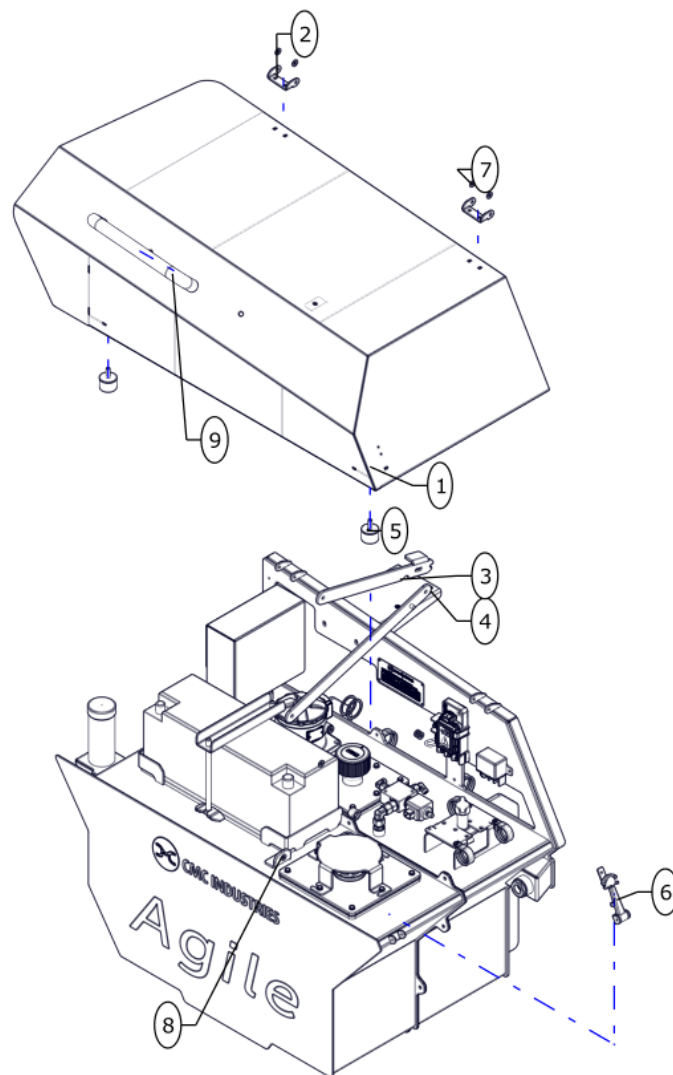
<b>ID</b>	<b>Code</b>	<b>Description</b>	<b>Q.ty</b>
1	A-AGLE-010-00092	Welded assembly	1
2	A-AGLE-010-00091	Welded assembly	1
3	A-AGLE-010-00093	Welded assembly	1
4	C-CLIM-000-00002	Rectangular A/C vent	2
5	C-CLIM-000-00010	Air conditioning	2
6	A-AGLE-020-00479	Plate	1
7	A-AGLE-031-00022	A/C +heating group gasket	1
8	C-ECOL-MAN-00049	Coupling	1
9	C-ECOL-FAS-00009	Clamp	2
10	C-CLIM-000-00043	Season group 12V	1
11	C-CLIM-000-00037	Junction	2



## **Section 02**

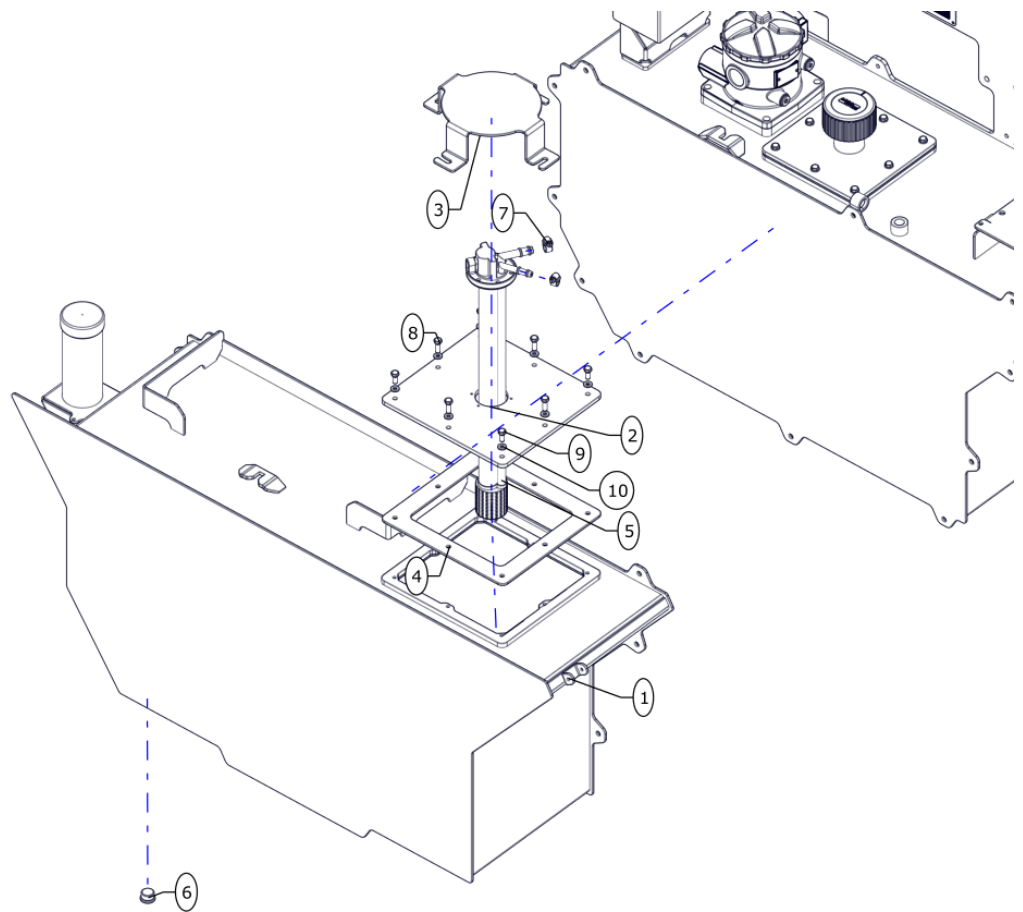
- Tank assembly
  - Fuel tank assembly \_\_\_\_\_ Pag.28
  - Hydraulic oil assembly \_\_\_\_\_ Pag.30
  - Tank electric elements \_\_\_\_\_ Pag.34





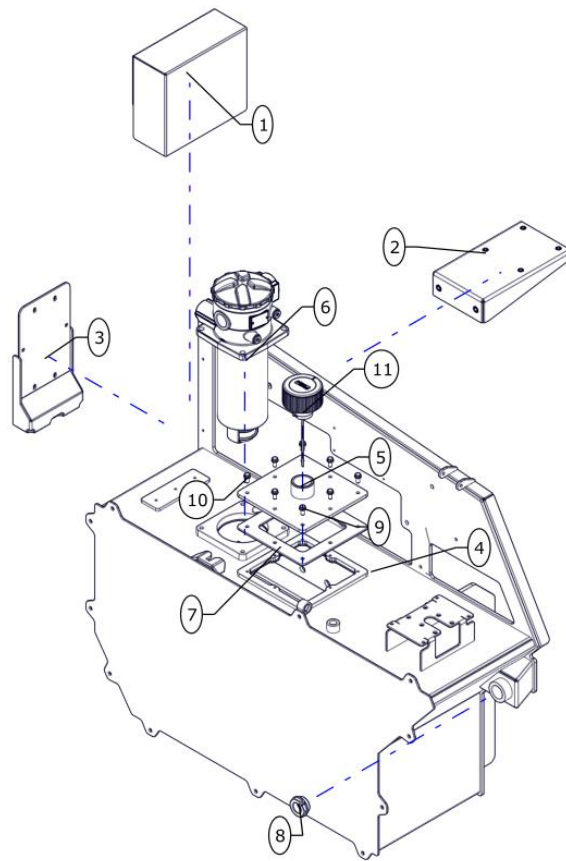
Tab.01

<b>ID</b>	<b>Code</b>	<b>Description</b>	<b>Q.ty</b>
1	A-AGLE-010-00065	Welded assembly	1
2	A-AGLE-041-00014	Tanks cover hinge	2
3	A-AGLE-041-00010	Tanks hood support	1
4	A-AGLE-010-00083	Welded assembly	1
5	C-ANTV-000-00013	Vibration pad	2
6	C-ELCH-SER-00019	Lock	1
7	C-ETNA-GUR-00044	Washer	4
8	A-AGLE-020-00439	Plate	1
9	C-ELCH-MAN-00002	Handle	1



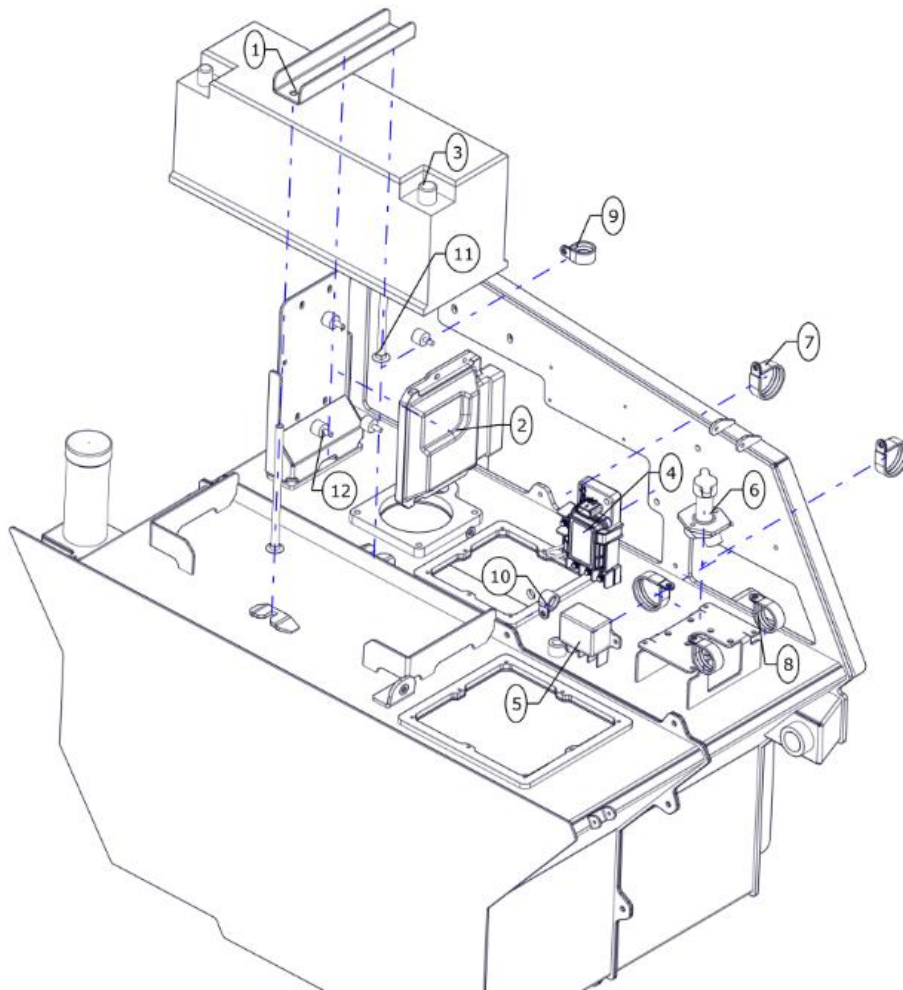
Tab.02

<b>ID</b>	<b>Code</b>	<b>Description</b>	<b>Q.ty</b>
1	A-AGLE-010-00062	Welded assembly	1
2	A-EGL4-020-00066	Plate	1
3	A-EGL4-020-00131	Plate	1
4	A-EGL4-031-00004	Fuel tank gasket	1
5	C-SERB-GOL-00019	Floater	1
6	C-OLEO-RAC-00401	Junction	1
7	C-ECOL-FAS-0000	Clamp	2
8	Z-VITE-TE0-00139	Screw	4
9	Z-VITE-TE0-00069	Screw	4
10	Z-ROND-PIA-00002	Washer	8



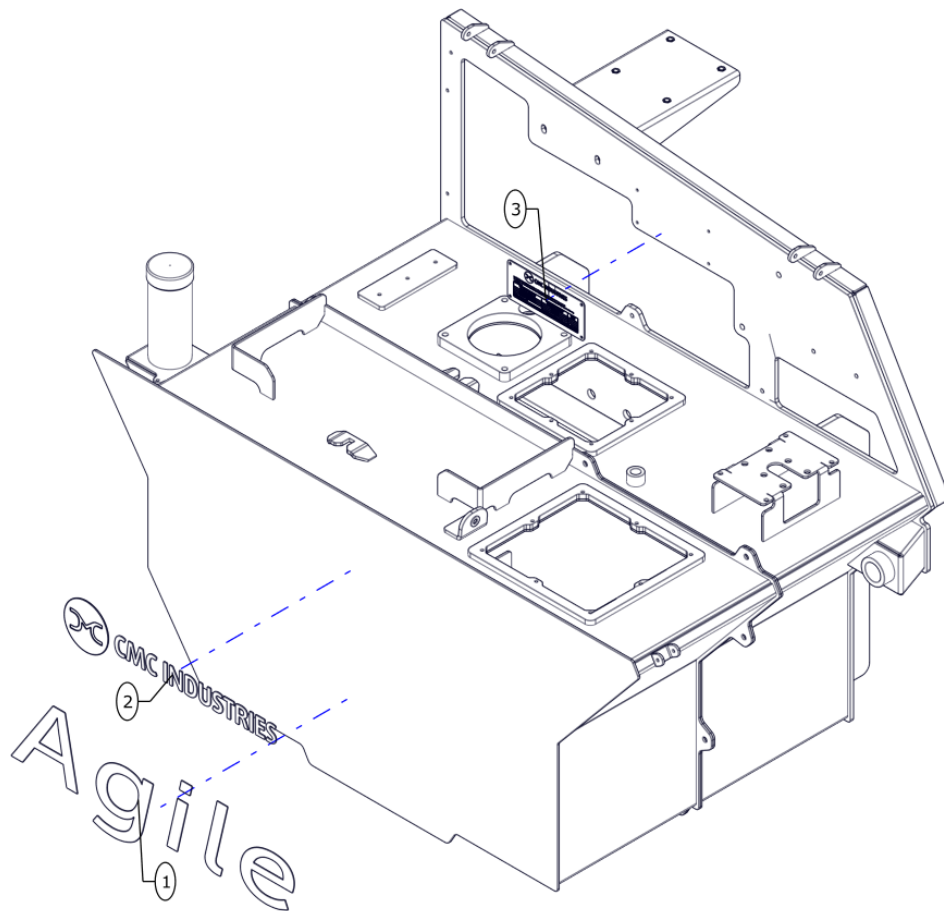
Tab.03

<b>ID</b>	<b>Code</b>	<b>Description</b>	<b>Q.ty</b>
1	A-AGLE-041-00008	ECU guard	1
2	A-AGLE-010-00083	Welded assembly	1
3	A-AGLE-041-00007	ECU support	1
4	A-AGLE-010-00063	Welded assembly	1
5	A-AGLE-010-00064	Welded assembly	1
6	C-FILT-OLI-00004	Filter	1
7	A-AGLE-031-00018	Oil tank cover gasket	1
8	C-SERB-OIL-00006	Cap	1
9	Z-ROND-PIA-00002	Washer	7
10	Z-VITE-TE0-00069	Screw	7
11	C-SERB-OIL-00007	Cap	1



Tab.04

<b>ID</b>	<b>Code</b>	<b>Description</b>	<b>Q.ty</b>
1	A-EGL4-020-00364	Plate	1
2	C-ELET-QUE-00561	ECU	1
3	C-ELET-BAT-00002	Battery	1
4	C-ELET-QUE-00620	Fuse base	1
5	C-ELET-QUE-00575	Relay	1
6	C-ELET-BAT-00009	Battery	1
7	C-ELET-STF-00020	Electri material bracket	3
8	C-ELET-STF-00008	Collar	2
9	C-ELET-STF-00011	Electri material bracket	1
10	C-ELET-STF-00016	Collar	1
11	Z-VITE-TTQ-00034	Screw	2
12	C-ANTV-000-00029	Vibration pad	4



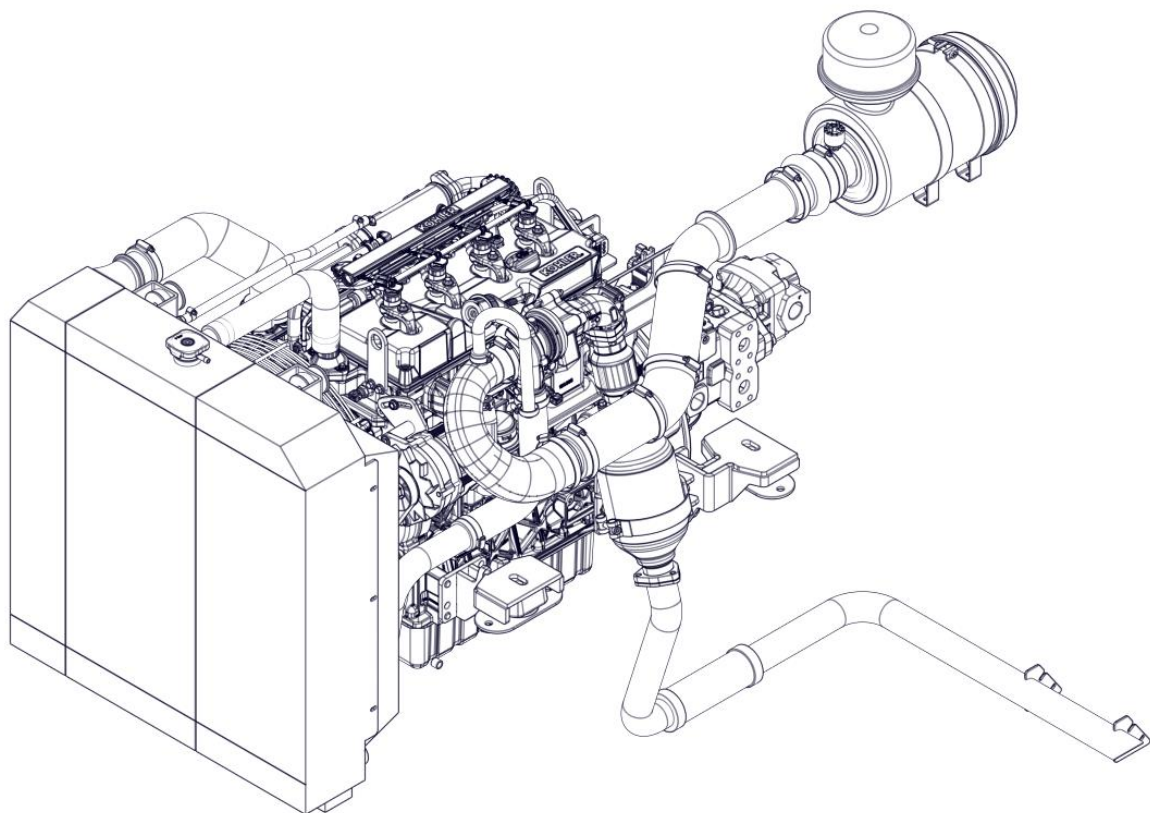
Tab.05

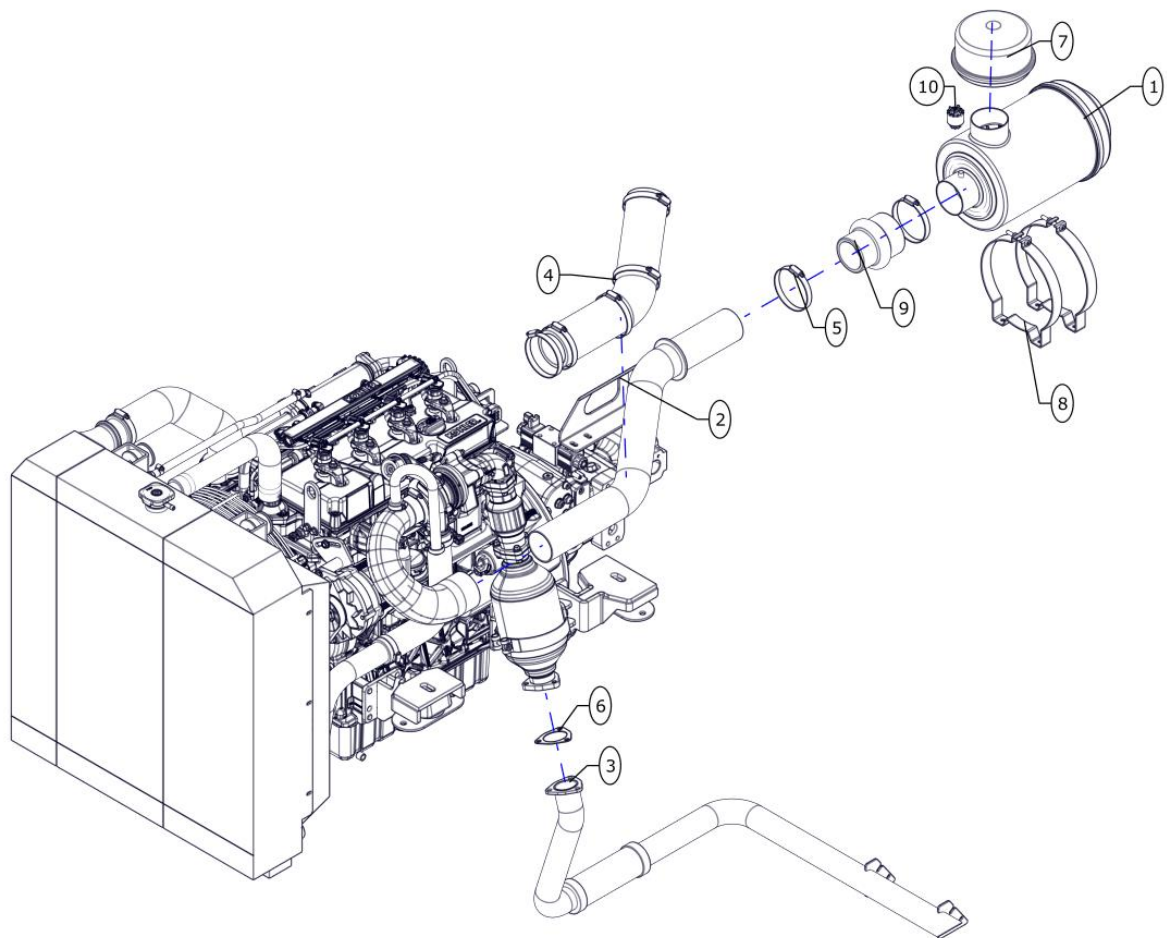
<b>ID</b>	<b>Code</b>	<b>Description</b>	<b>Q.ty</b>
1	A-AGLE-980-00001	Sticker/plate	1
2	G-0000-980-00119	Sticker/plate	1
3	G-0000-980-00002	Sticker/plate	1



## **Section 03**

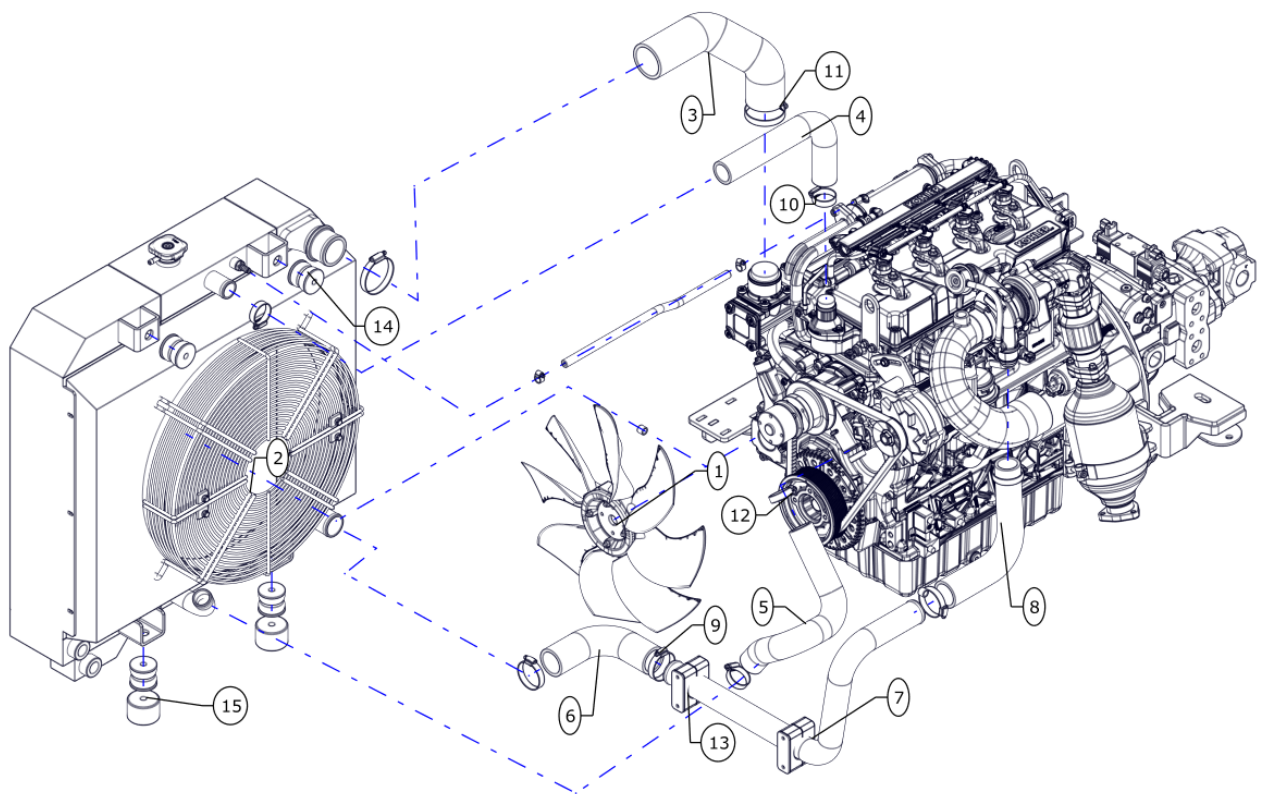
- Power unit Tier IV
  - Power unit assembly \_\_\_\_\_ Pag.40
  - Power unit electric elements \_\_\_\_\_ Pag.44
  - A/C pack power unit \_\_\_\_\_ Pag.50





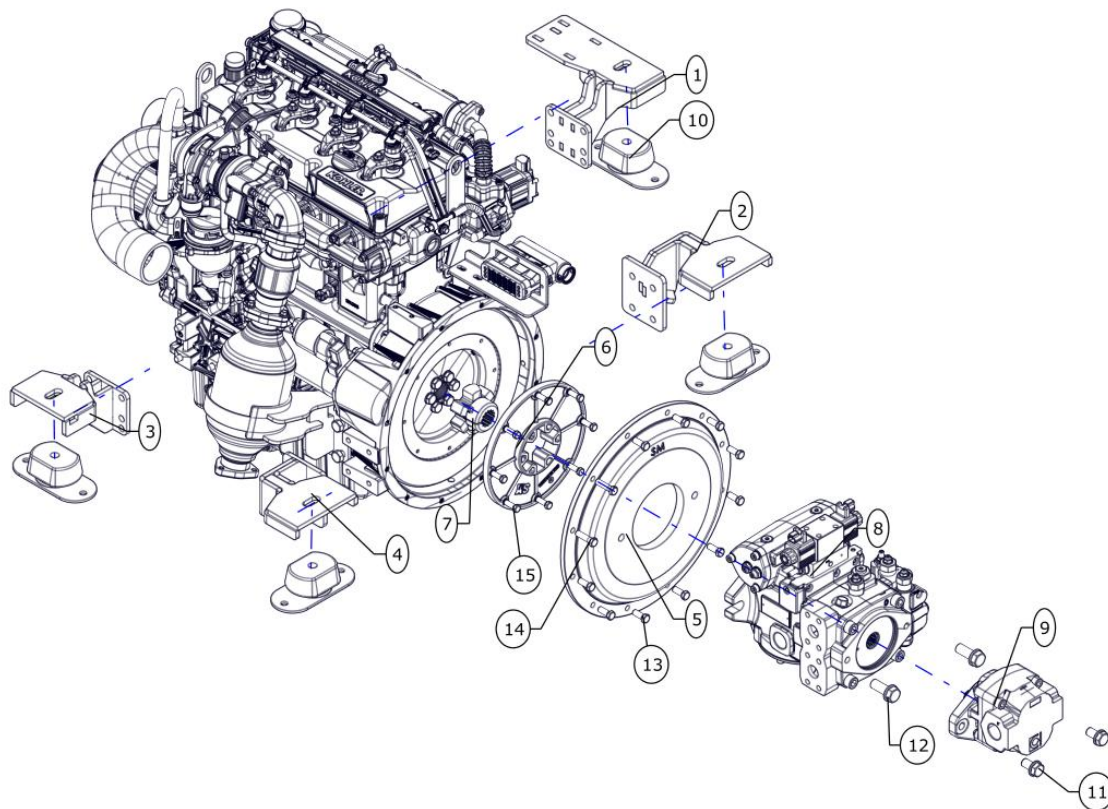
Tab.01

ID	Code	Description	Q.ty																																	
1	C-FILT-AIR-00013	Air filter	1	→																																
				Q.ty for one component																																
				<table border="1"> <thead> <tr> <th>ID</th> <th>Code</th> <th>Description</th> <th>Q.ty</th> </tr> </thead> <tbody> <tr> <td>1.1</td> <td>C-FILT-AIR-00007</td> <td>Metal sheet cover</td> <td>1</td> </tr> <tr> <td>1.2</td> <td>C-FILT-AIR-00008</td> <td>Dust exhaust valve</td> <td>1</td> </tr> <tr> <td>1.3</td> <td>C-FILT-AIR-00009</td> <td>Filter cover screw</td> <td>1</td> </tr> <tr> <td>1.4</td> <td>C-FILT-AIR-00014</td> <td>External cartridge</td> <td>1</td> </tr> <tr> <td>1.5</td> <td>C-FILT-AIR-00015</td> <td>Internal cartridge</td> <td>1</td> </tr> <tr> <td>1.6</td> <td>C-FILT-AIR-00025</td> <td>Butterfly nut</td> <td>1</td> </tr> <tr> <td>1.7</td> <td>C-FILT-AIR-00045</td> <td>Air filter cap gasket</td> <td>1</td> </tr> </tbody> </table>	ID	Code	Description	Q.ty	1.1	C-FILT-AIR-00007	Metal sheet cover	1	1.2	C-FILT-AIR-00008	Dust exhaust valve	1	1.3	C-FILT-AIR-00009	Filter cover screw	1	1.4	C-FILT-AIR-00014	External cartridge	1	1.5	C-FILT-AIR-00015	Internal cartridge	1	1.6	C-FILT-AIR-00025	Butterfly nut	1	1.7	C-FILT-AIR-00045	Air filter cap gasket	1
ID	Code	Description	Q.ty																																	
1.1	C-FILT-AIR-00007	Metal sheet cover	1																																	
1.2	C-FILT-AIR-00008	Dust exhaust valve	1																																	
1.3	C-FILT-AIR-00009	Filter cover screw	1																																	
1.4	C-FILT-AIR-00014	External cartridge	1																																	
1.5	C-FILT-AIR-00015	Internal cartridge	1																																	
1.6	C-FILT-AIR-00025	Butterfly nut	1																																	
1.7	C-FILT-AIR-00045	Air filter cap gasket	1																																	
2	A-AGLE-010-00061	Welded assembly	1																																	
3	A-AGLE-010-00097	Welded assembly	1																																	
4	A-AGLE-040-00025	Thermo-isolated cover	1																																	
5	C-ECOL-FAS-00009	Clamp	7																																	
6	C-ETNA-GUR-00039	Gasket	1																																	
7	C-FILT-AIR-00002	Pre-filter	1																																	
8	C-FILT-AIR-00028	Metallic clamps for air filter	2																																	
9	C-ECOL-MAN-00019	Coupling	1																																	
10	C-FILT-AIR-00010	Filter	1																																	

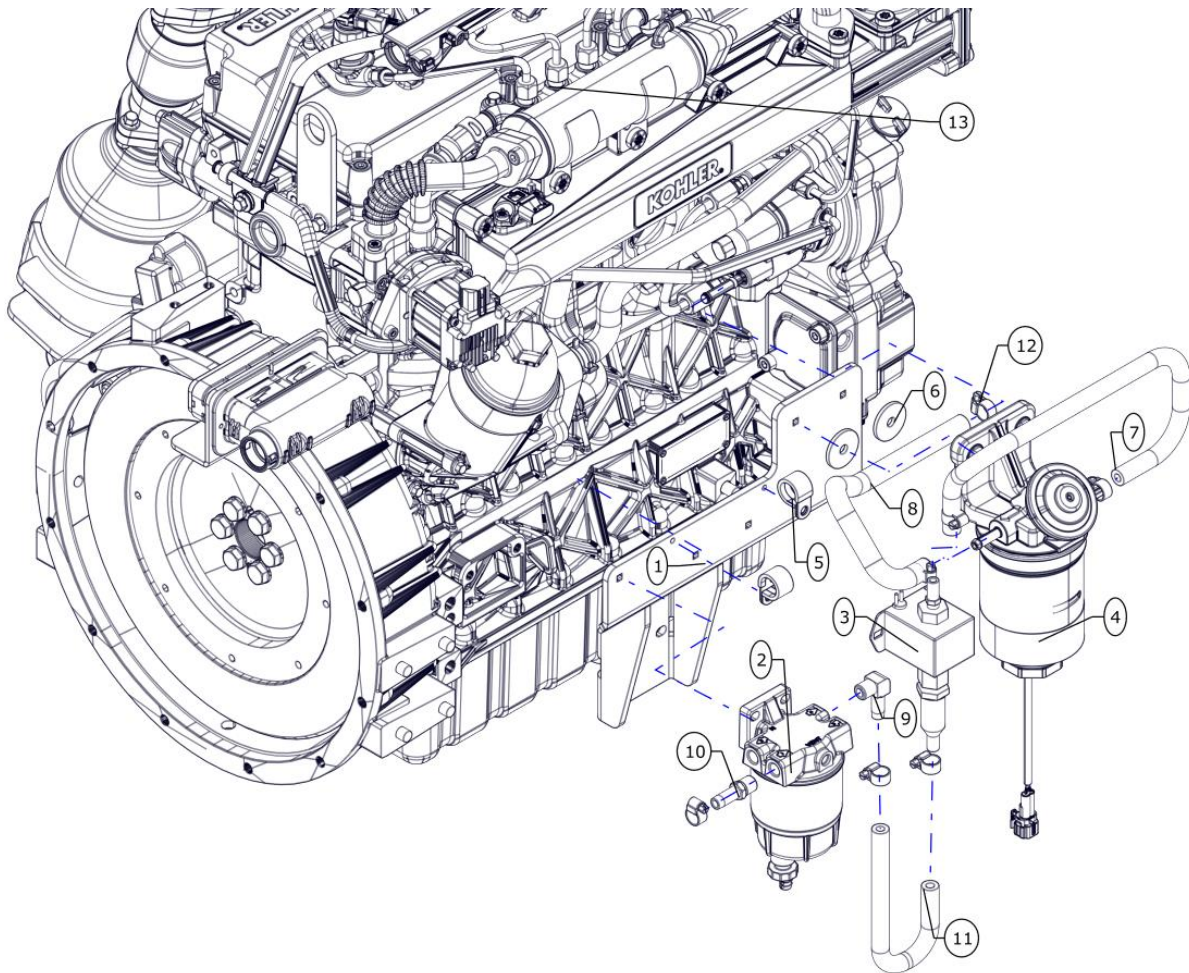


Tab.02

<b>ID</b>	<b>Code</b>	<b>Description</b>	<b>Q.ty</b>
1	C-MOTO-END-00041	Fan	1
2	A-AGLE-120-00006	Radiator	1
3	A-EGL4-130-00011	Air manifold	1
4	C-ECOL-MAN-00001	Coupling	1
5	A-AGLE-130-00002	Water manifold	1
6	C-ECOL-MAN-00020	Hose	1
7	A-EGL4-130-00008	Air manifold	1
8	A-EGL4-130-00009	Air manifold	1
9	C-ECOL-FAS-00002	Clamp	4
10	C-ECOL-FAS-00004	Clamp	2
11	C-ECOL-FAS-00006	Clamp	2
12	C-ECOL-FAS-00004	Clamp	2
13	C-ECOL-STA-00019	Bracket	2
14	C-ANTV-000-00004	Vibration pad	4
15	A-EGL4-031-00013	Plastic component	2

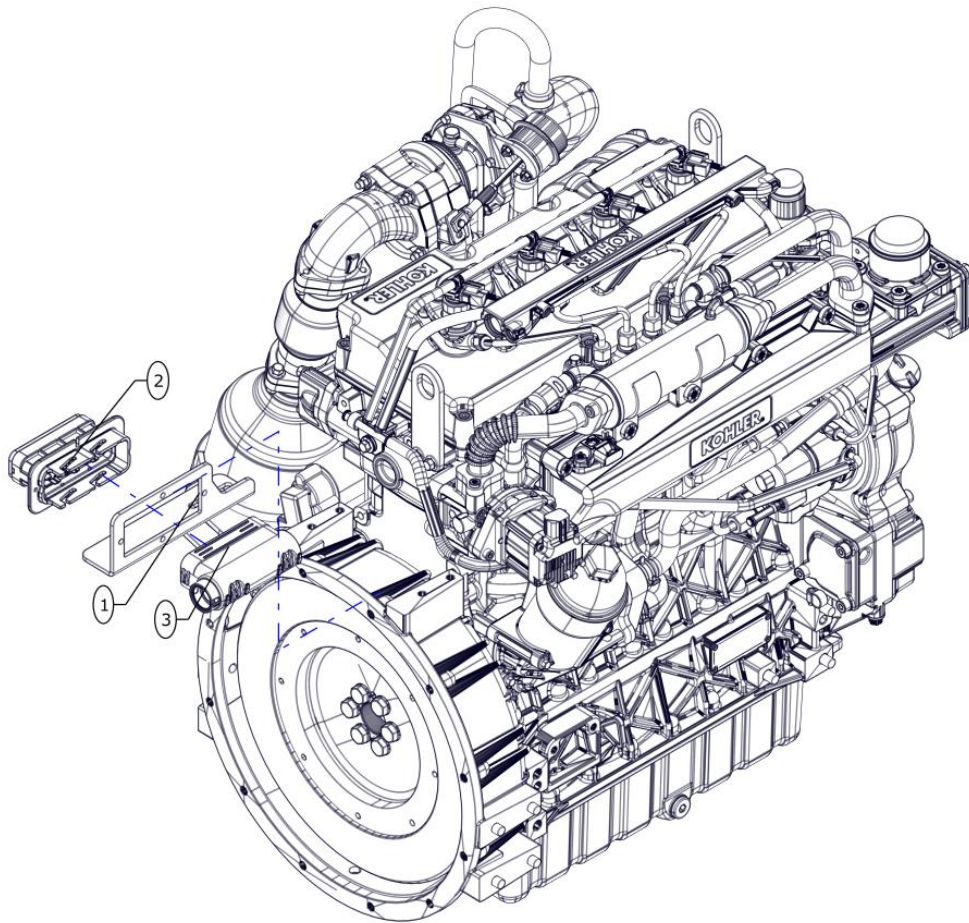






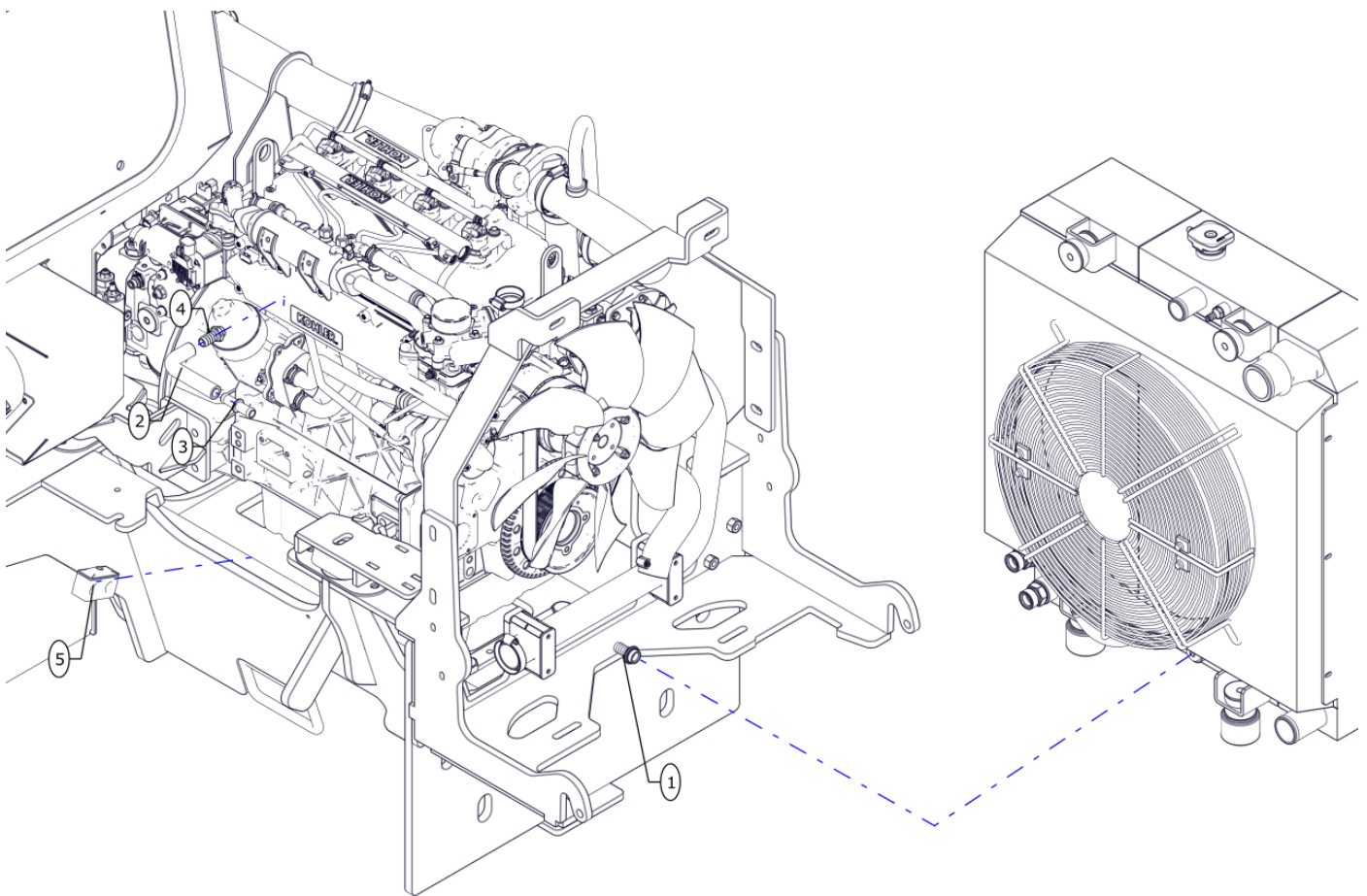
Tab.03

ID	Code	Description	Q.ty
1	A-EGL4-020-00177	Plate	1
2	C-FILT-GSO-00016	Fuel filter	1
3	C-MOTO-END-00038	Engine	1
4	C-FILT-GSO-00011	Fuel filter	1
5	C-ELET-STF-00016	Collar	2
6	C-ETNA-GUR-00003	Gasket	2
7	A-EGL4-040-00012	Hose	1
8	A-EGL4-040-00013	Hose	1
9	C-OLEO-RAC-00597	Junction	1
10	C-OLEO-RAC-00598	Junction	1
11	A-EGL4-040-00011	Hose	1
12	C-ECOL-FAS-00007	Clamp	6
13	C-MOTO-END-00012	Engine	1
→ Q.ty for one component			
ID	Code	Description	Q.ty
13.1	C-FILT-GSO-00008	Fuel pre-filter	1
13.2	C-FILT-OLM-00007	Engine oil filter	1
13.3	C-MOTO-END-00094	Complete distributor	1
13.4	C-MOTO-END-00132	Alternator	1
13.5	C-MOTO-END-00133	Common rail	1
13.6	C-MOTO-END-00145	Thermostatic valve	1
13.7	C-MOTO-END-00146	Thermostatic gasket	1
13.8	C-MOTO-END-00179	Engine water temperature sensor	1
13.9	C-MOTO-END-00180	Fuel filter water sensor	1
13.10	C-MOTO-END-00181	Engine starter	1
13.11	C-MOTO-END-00182	Engine belt	1
13.12	C-MOTO-END-00183	Water pump	1
13.13	C-MOTO-END-00184	Water pump gasket	1
13.14	C-MOTO-END-00189	engine jockey	1
13.15	C-MOTO-END-00191	Idler	1
13.16	C-MOTO-END-00206	Engine fuel prefilter	1
13.17	C-MOTO-END-00207	Clamp	1
13.18	C-MOTO-END-00208	Fitting	1



Tab.04

<b>ID</b>	<b>Code</b>	<b>Description</b>	<b>Q.ty</b>
1	A-EGL4-020-00271	Plate	1
2	C-ELET-CON-00178	Connector	1
3	C-ELET-CON-00179	Connector housing	1



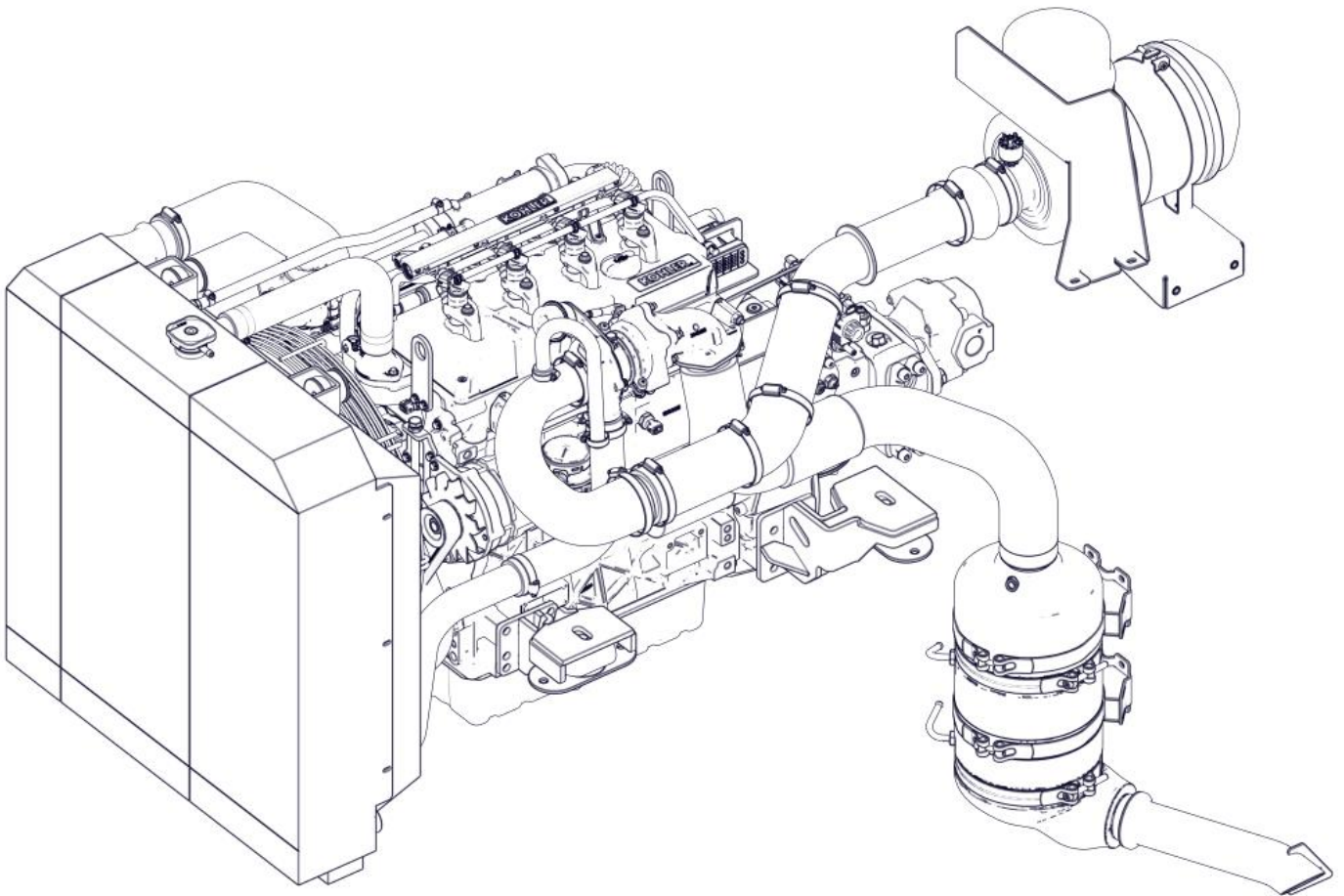
Tab.05

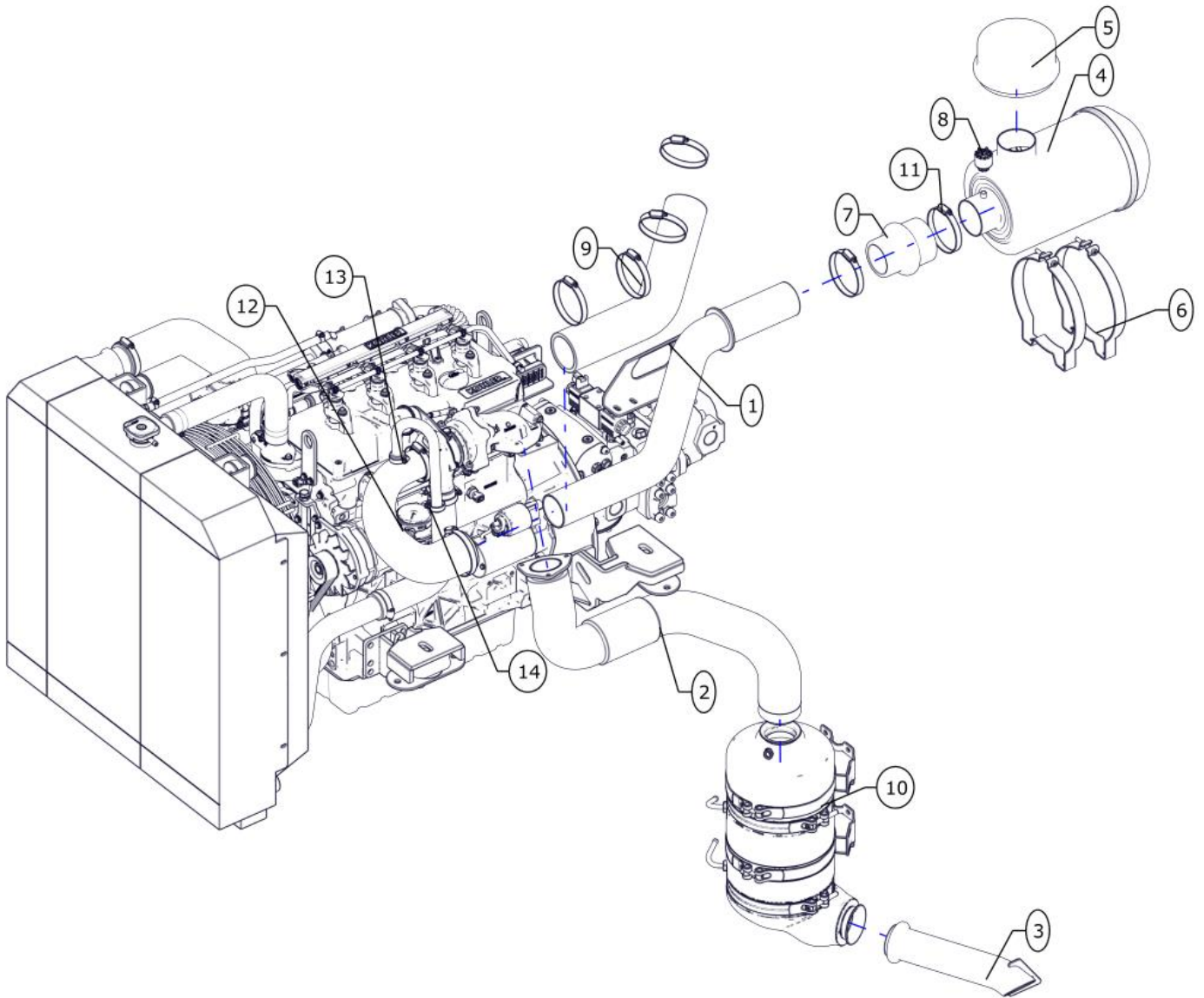
<b>ID</b>	<b>Code</b>	<b>Description</b>	<b>Q.ty</b>
1	C-OLEO-RAC-00344	Junction	1
2	C-CLIM-000-00048	Water manifold	1
3	C-CLIM-000-00047	Hose junction	1
4	C-OLEO-RAC-00346	Junction	1
5	C-ECOL-STA-00013	Bracket	1



## **Section 04**

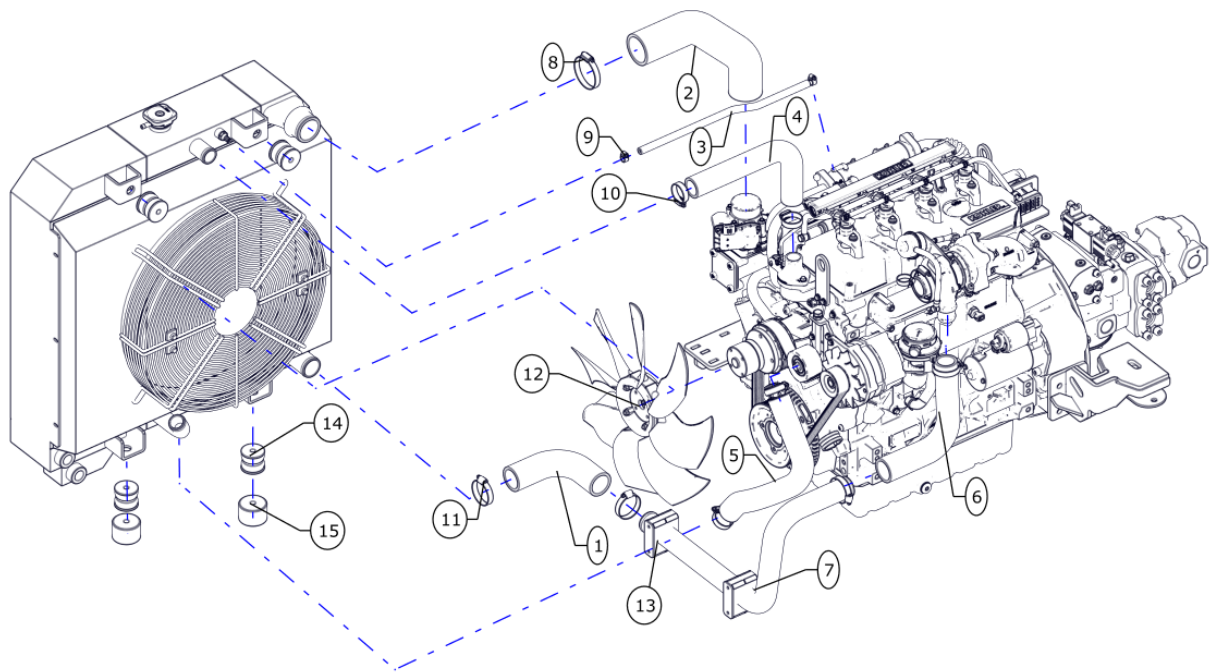
- Power unit Stage V
  - Power unit assembly \_\_\_\_\_ Pag.54
  - Power unit electric elements \_\_\_\_\_ Pag.62
  - A/C pack power unit \_\_\_\_\_ Pag.64





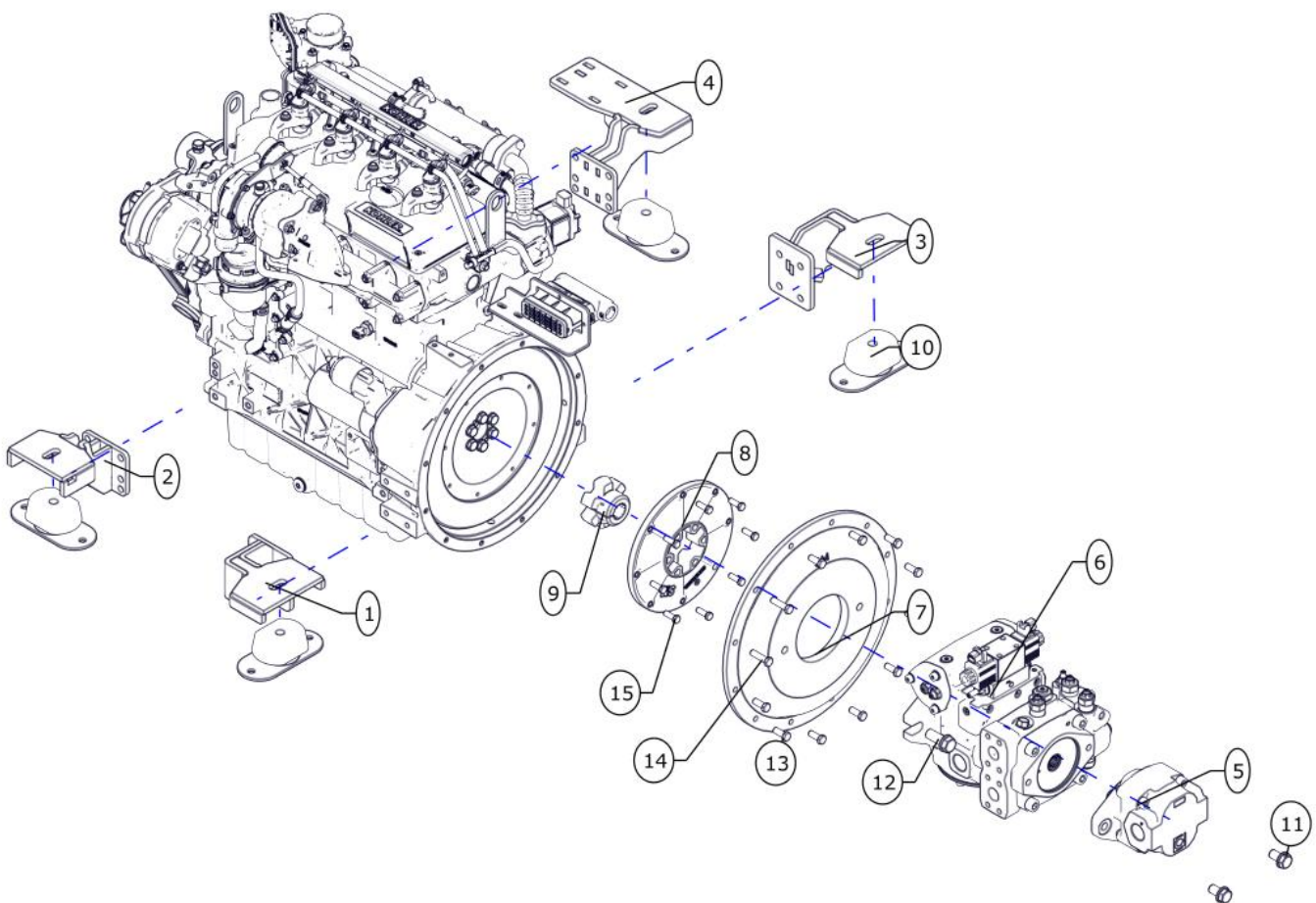
Tab.01

ID	Code	Description	Q.ty																																	
1	A-AGLE-010-00061	Welded assembly	1																																	
2	A-AGLE-010-00088	Welded assembly	1																																	
3	A-AGLE-010-00095	Welded assembly	1																																	
4	C-FILT-AIR-00013	Air filter	1	→																																
				Q.ty for one component																																
				<table border="1"> <thead> <tr> <th>ID</th> <th>Code</th> <th>Description</th> <th>Q.ty</th> </tr> </thead> <tbody> <tr> <td>4.1</td> <td>C-FILT-AIR-00007</td> <td>Metal sheet cover</td> <td>1</td> </tr> <tr> <td>4.2</td> <td>C-FILT-AIR-00008</td> <td>Dust exhaust valve</td> <td>1</td> </tr> <tr> <td>4.3</td> <td>C-FILT-AIR-00009</td> <td>Filter cover screw</td> <td>1</td> </tr> <tr> <td>4.4</td> <td>C-FILT-AIR-00014</td> <td>External cartridge</td> <td>1</td> </tr> <tr> <td>4.5</td> <td>C-FILT-AIR-00015</td> <td>Internal cartridge</td> <td>1</td> </tr> <tr> <td>4.6</td> <td>C-FILT-AIR-00025</td> <td>Butterfly nut</td> <td>1</td> </tr> <tr> <td>4.7</td> <td>C-FILT-AIR-00045</td> <td>Air filter cap gasket</td> <td>1</td> </tr> </tbody> </table>	ID	Code	Description	Q.ty	4.1	C-FILT-AIR-00007	Metal sheet cover	1	4.2	C-FILT-AIR-00008	Dust exhaust valve	1	4.3	C-FILT-AIR-00009	Filter cover screw	1	4.4	C-FILT-AIR-00014	External cartridge	1	4.5	C-FILT-AIR-00015	Internal cartridge	1	4.6	C-FILT-AIR-00025	Butterfly nut	1	4.7	C-FILT-AIR-00045	Air filter cap gasket	1
ID	Code	Description	Q.ty																																	
4.1	C-FILT-AIR-00007	Metal sheet cover	1																																	
4.2	C-FILT-AIR-00008	Dust exhaust valve	1																																	
4.3	C-FILT-AIR-00009	Filter cover screw	1																																	
4.4	C-FILT-AIR-00014	External cartridge	1																																	
4.5	C-FILT-AIR-00015	Internal cartridge	1																																	
4.6	C-FILT-AIR-00025	Butterfly nut	1																																	
4.7	C-FILT-AIR-00045	Air filter cap gasket	1																																	
5	C-FILT-AIR-00002	Pre-filter	1																																	
6	C-FILT-AIR-00028	Metallic clamps for air filter	2																																	
7	C-ECOL-MAN-00019	Coupling	1																																	
8	C-FILT-AIR-00010	Filter	1																																	
9	A-AGLE-040-00025	Thermo-isolated cover	1																																	
10	C-MOTO-END-00087	DPF filter	1																																	
11	C-ECOL-FAS-00009	Clamp	7																																	
12	C-ECOL-MAN-00031	Coupling	1																																	
13	A-AGLE-103-00001	Rigid pipe	1																																	
14	C-ECOL-FAS-00010	Clamp	2																																	



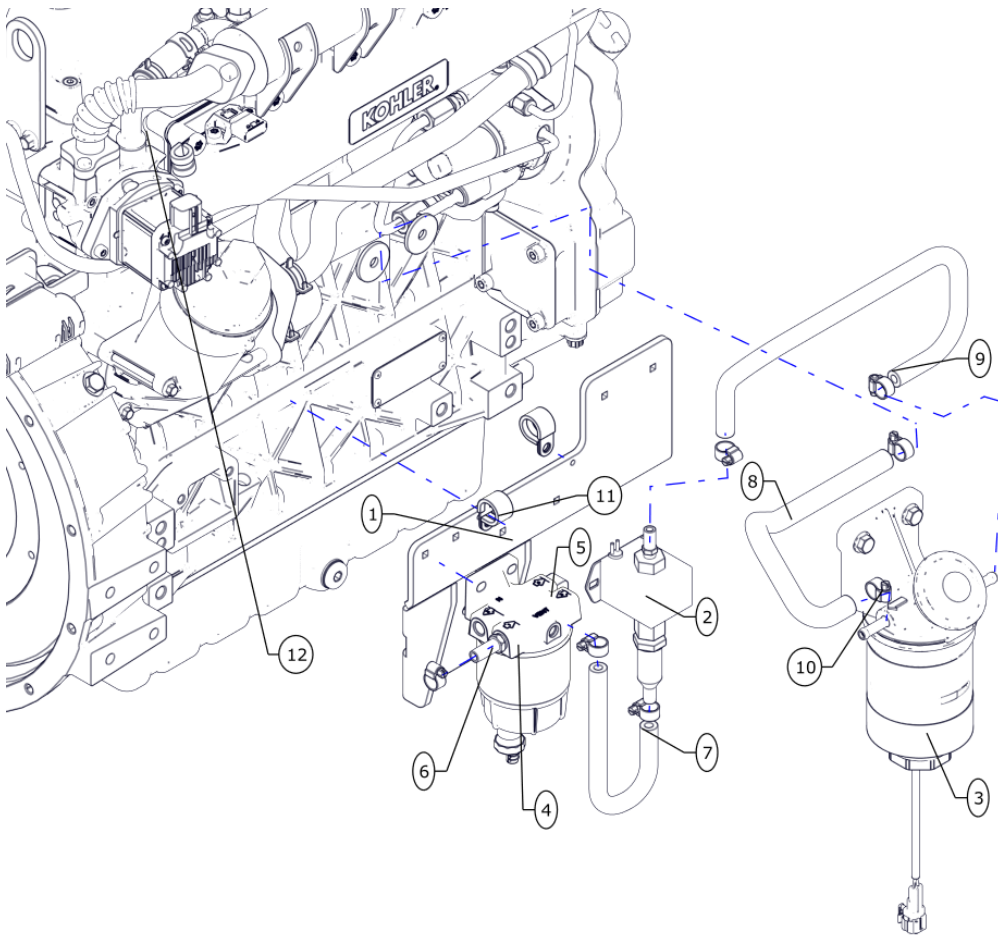
Tab.02

<b>ID</b>	<b>Code</b>	<b>Description</b>	<b>Q.ty</b>
1	C-ECOL-MAN-00020	Hose	1
2	A-EGL4-130-00011	Air manifold	1
3	A-EGL4-040-00004	Wrought component	1
4	C-ECOL-MAN-00001	Coupling	1
5	A-AGLE-130-00002	Exhaust pipe	1
6	A-EGL4-130-00009	Air manifold	1
7	A-EGL4-130-00008	Air manifold	1
8	C-ECOL-FAS-00006	Clamp	1
9	C-ECOL-FAS-00007	Clamp	2
10	C-ECOL-FAS-00004	Clamp	4
11	C-ECOL-FAS-00002	Clamp	3
12	C-MOTO-END-00041	Engine fan	1
13	C-ECOL-STA-00019	Bracket	2
14	C-ANTV-000-00004	Vibration pad	4
15	A-EGL4-031-00013	Plastic component	2



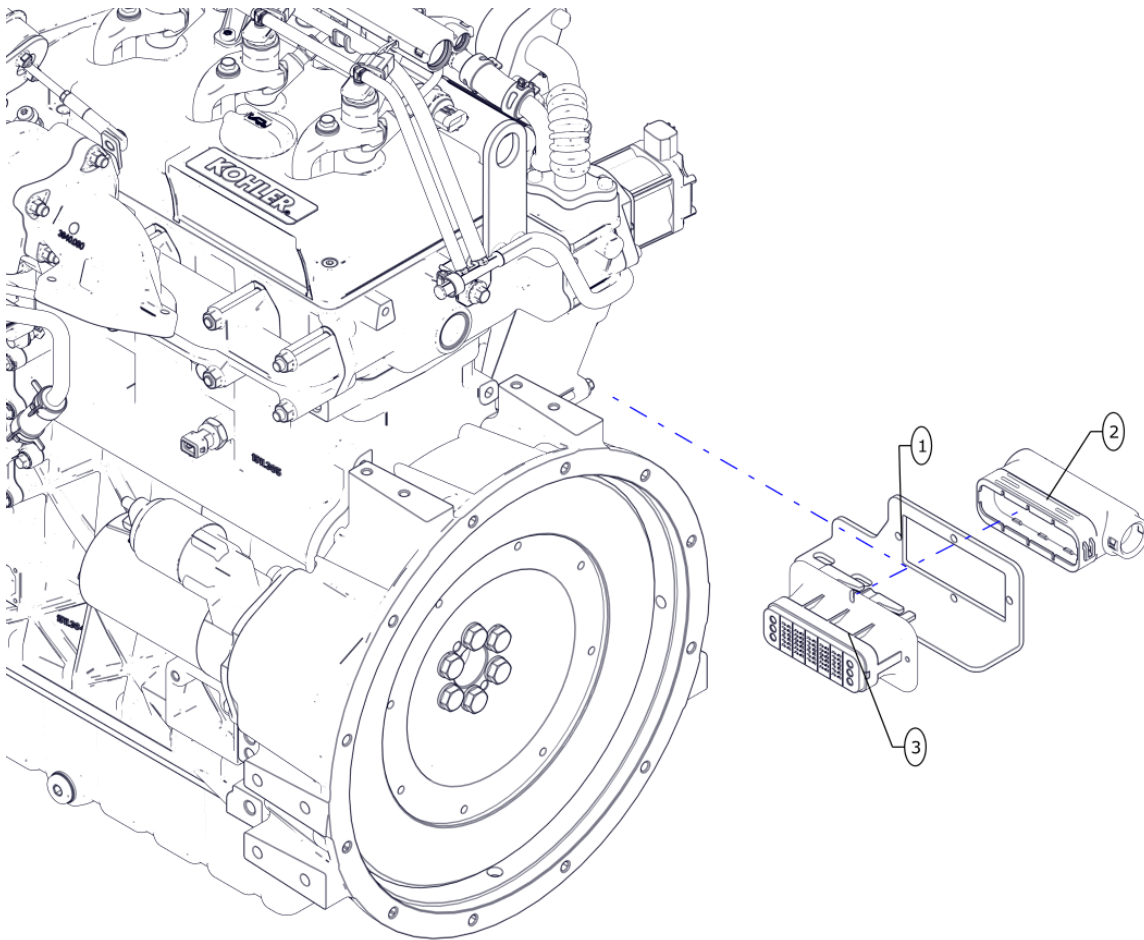
Tab.03

ID	Code	Description	Q.ty													
1	A-EGL4-010-00016	Front right engine support	1													
2	A-AGLE-010-00024	Rear engine support	1													
3	A-EGL4-010-00021	Front left engine support	1													
4	A-AGLE-010-00075	Rear left engine support	1													
5	C-OLEO-POM-00006	Alluminum pump	1													
6	C-OLEO-POM-00053	Pump	1													
7	C-TRAM-CPV-00007	Bell housing	1													
8	C-TRAM-FLG-00008	Flange	1													
9	C-TRAM-MOZ-00015	Hub	1													
10	C-ANTV-000-00003	Vibration pad	4													
11	Z-BULL-000-00113	Bolt	2	→												
				Q.ty for one component												
				<table border="1"> <thead> <tr> <th>ID</th> <th>Code</th> <th>Description</th> <th>Q.ty</th> </tr> </thead> <tbody> <tr> <td>11.1</td> <td>Z-VITE-TE0-00083</td> <td>Screw</td> <td>1</td> </tr> <tr> <td>11.2</td> <td>Z-ROND-PIA-00005</td> <td>Washer</td> <td>1</td> </tr> </tbody> </table>	ID	Code	Description	Q.ty	11.1	Z-VITE-TE0-00083	Screw	1	11.2	Z-ROND-PIA-00005	Washer	1
ID	Code	Description	Q.ty													
11.1	Z-VITE-TE0-00083	Screw	1													
11.2	Z-ROND-PIA-00005	Washer	1													
12	Z-BULL-000-00511	Bolt	2	→												
				Q.ty for one component												
				<table border="1"> <thead> <tr> <th>ID</th> <th>Code</th> <th>Description</th> <th>Q.ty</th> </tr> </thead> <tbody> <tr> <td>12.1</td> <td>Z-VITE-TE0-00227</td> <td>Screw</td> <td>1</td> </tr> <tr> <td>12.2</td> <td>Z-ROND-PIA-00001</td> <td>Washer</td> <td>1</td> </tr> </tbody> </table>	ID	Code	Description	Q.ty	12.1	Z-VITE-TE0-00227	Screw	1	12.2	Z-ROND-PIA-00001	Washer	1
ID	Code	Description	Q.ty													
12.1	Z-VITE-TE0-00227	Screw	1													
12.2	Z-ROND-PIA-00001	Washer	1													
13	Z-VITE-TE0-00056	Screw	10													
14	Z-VITE-TE0-00065	Screw	2													
15	Z-VITE-TE0-00057	Screw	8													



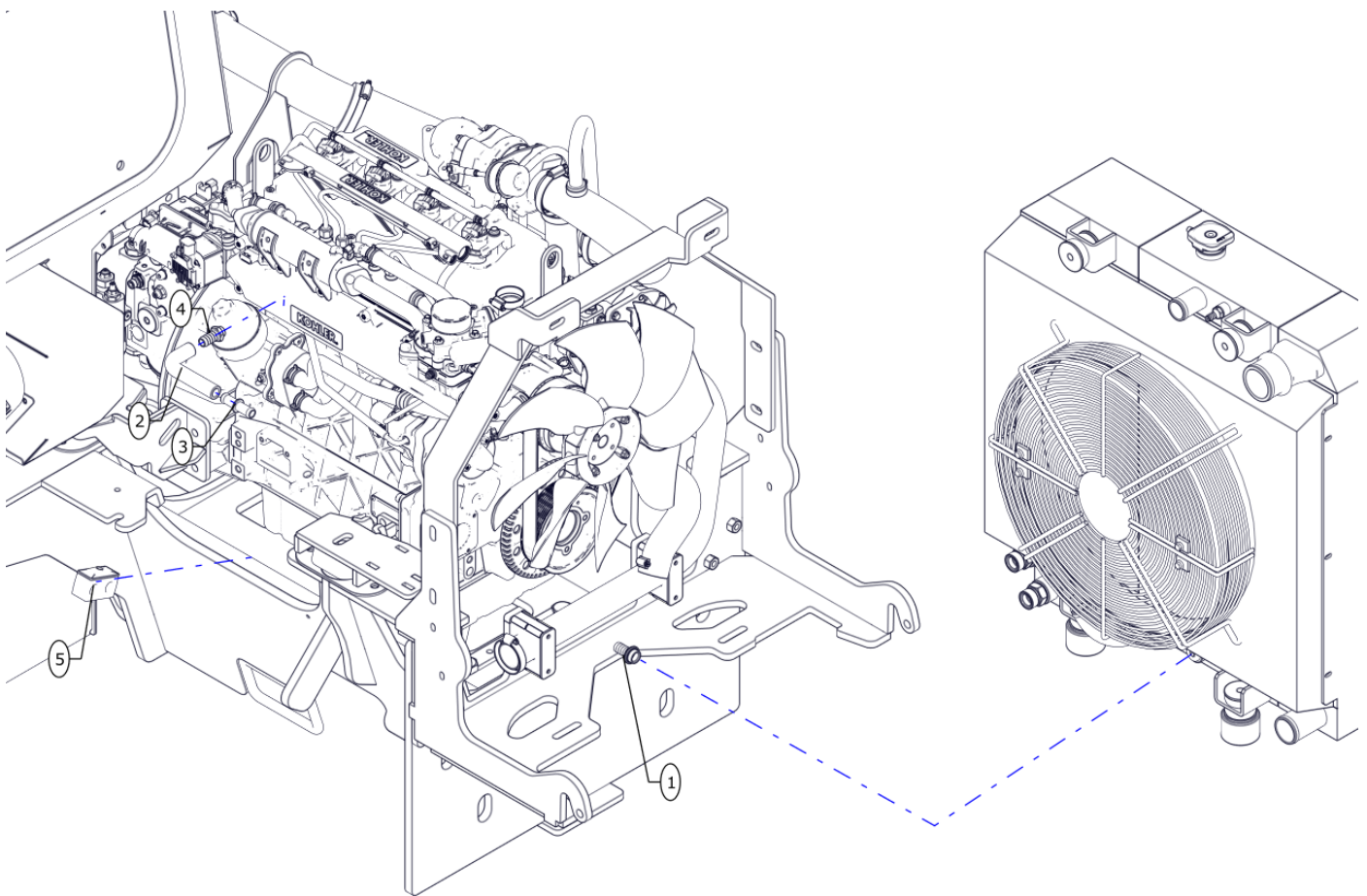
Tab.04

<b>ID</b>	<b>Code</b>	<b>Description</b>	<b>Q.ty</b>
1	A-EGL4-020-00177	Plate	1
2	C-MOTO-END-00038	Engine	1
3	C-FILT-GSO-00011	Fuel filter	1
4	C-FILT-GSO-00016	Fuel filter	1
5	C-OLEO-RAC-00597	Junction	1
6	C-OLEO-RAC-00598	Junction	1
7	A-EGL4-040-00011	Fuel filter	1
8	A-EGL4-040-00013	Hose	1
9	A-EGL4-040-00012	Hose	1
10	C-ECOL-FAS-00007	Clamp	7
11	C-ELET-STF-00016	Collar	2
12	C-MOTO-END-00086	Engine	1



Tab.05

<b>ID</b>	<b>Code</b>	<b>Description</b>	<b>Q.ty</b>
1	A-EGL4-020-00271	Plate	1
2	C-ELET-CON-00179	Connector housing	1
3	C-ELET-CON-00178	Connector	1



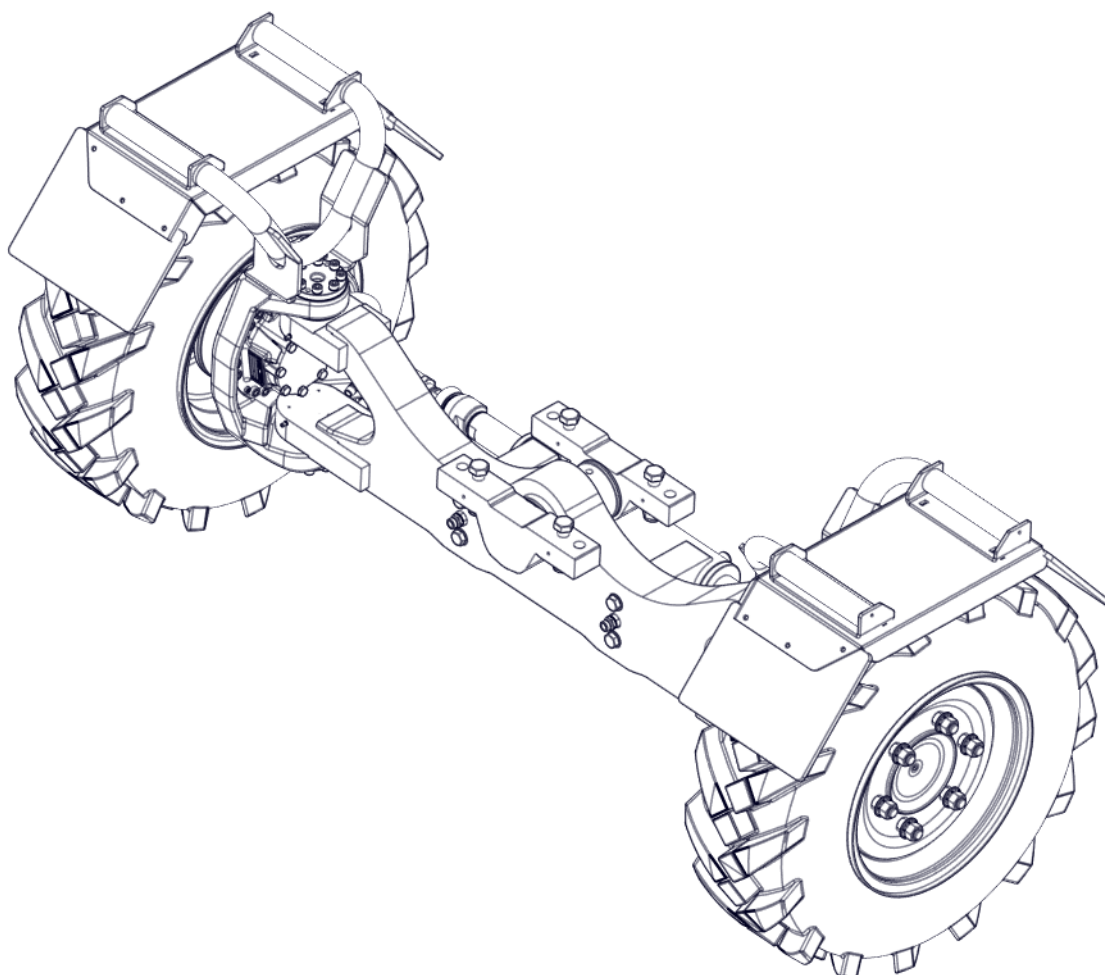
Tab.06

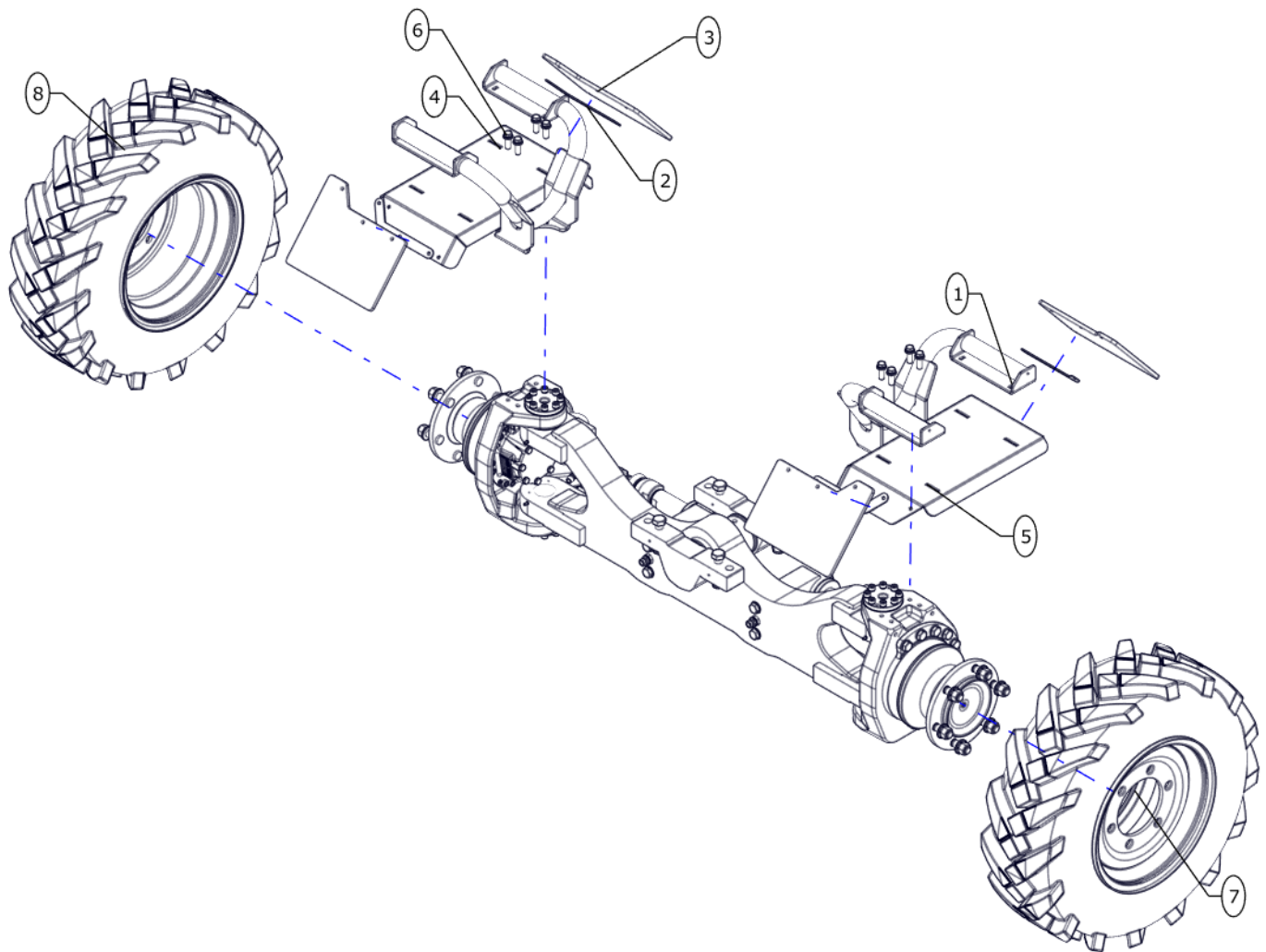
<b>ID</b>	<b>Code</b>	<b>Description</b>	<b>Q.ty</b>
1	C-OLEO-RAC-00344	Junction	1
2	C-CLIM-000-00048	Water manifold	1
3	C-CLIM-000-00047	Hose junction	1
4	C-OLEO-RAC-00346	Junction	1
5	C-ECOL-STA-00013	Bracket	1



# **Section 05**

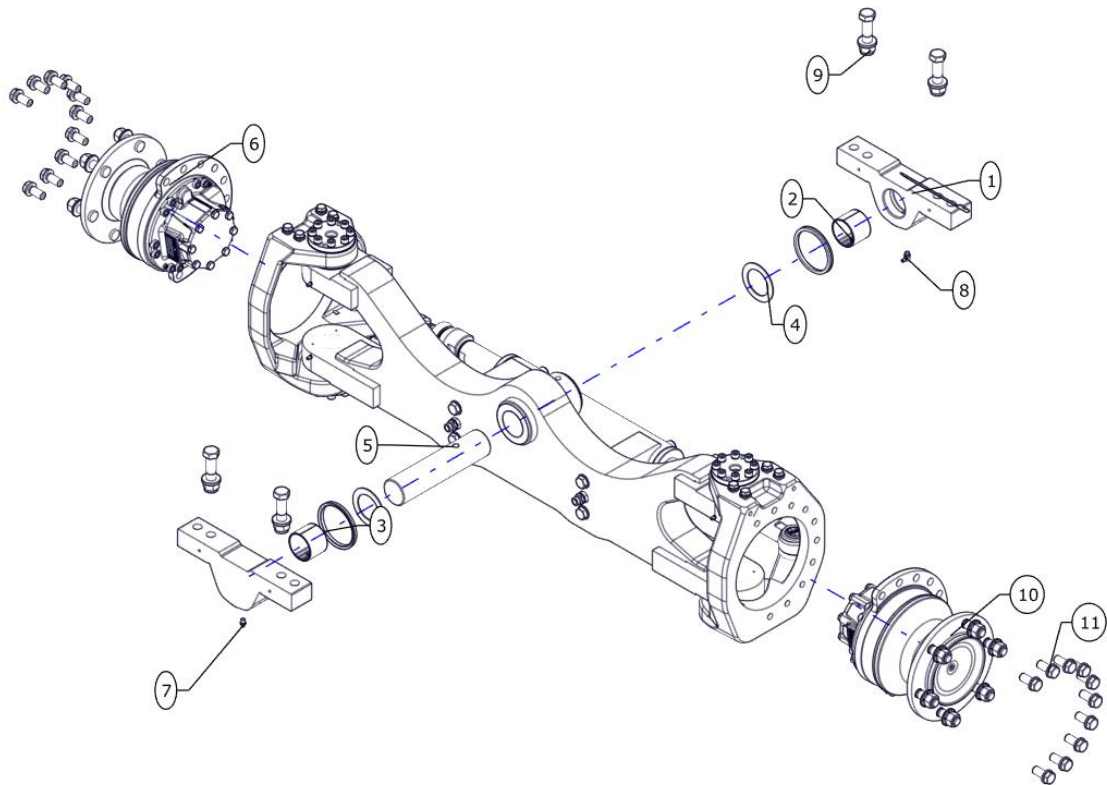
- Back axle
  - Back axle assembly \_\_\_\_\_ Pag.68





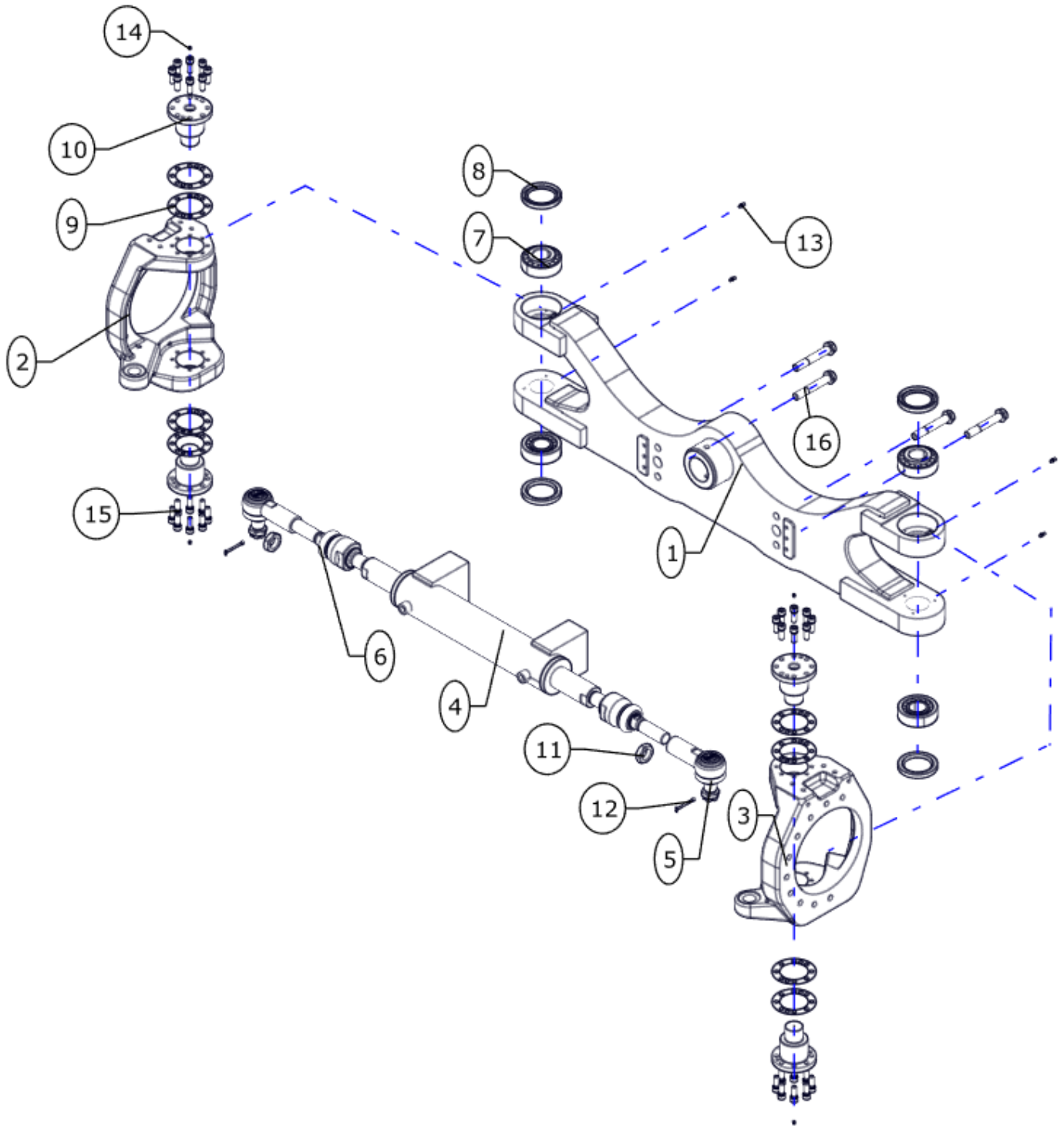
Tab.01

ID	Code	Description	Q.ty				
1	A-AGLE-010-00084	Welded assembly	2				
2	A-AGLE-020-00445	Plate	4				
3	A-AGLE-031-00019	Rear wheel rubber	4				
4	A-AGLE-020-00444	Plate	2				
5	Z-BULL-000-00512	Bolt	8	→	Q.ty for one component		
					<b>ID</b>	<b>Code</b>	<b>Description</b>
					5.1	Z-ROND-ELA-00003	Elastic washer
					5.2	Z-ROND-PIA-00027	Washer
					5.3	Z-VITE-TE0-00108	Screw
6	C-RMOP-ROT-00040	Lt wheel	1	→	Q.ty for one component		
					<b>ID</b>	<b>Code</b>	<b>Description</b>
					6.1	C-RMOP-ROT-00030	Wheel
					6.2	C-RMOP-ROT-00038	Pneumatic wheel
7	C-RMOP-ROT-00003	Rt wheel	1	→	Q.ty for one component		
					<b>ID</b>	<b>Code</b>	<b>Description</b>
					7.1	C-RMOP-ROT-00030	Wheel
					7.2	C-RMOP-ROT-00038	Pneumatic wheel



Tab.02

ID	Code	Description	Q.ty																	
1	A-EGL4-041-00030	Rear axle support	2																	
2	C-SCOR-BRO-00007	Bronze bushing	3																	
3	C-ETNA-PAO-00005	Seal ring	2																	
4	C-SCOR-RAL-00001	Swing ring gear	2																	
5	A-AGLE-030-00007	Pin	1																	
6	C-MOTO-OLE-00013	Hydraulic motor	1																	
7	C-SCOR-ING-00005	Grease nipple	1																	
8	C-SCOR-ING-00001	Grease nipple	1																	
9	Z-BULL-000-00384	Bolt	4	→																
				Q.ty for one component																
				<table border="1"> <thead> <tr> <th>ID</th> <th>Code</th> <th>Description</th> <th>Q.ty</th> </tr> </thead> <tbody> <tr> <td>9.1</td> <td>Z-DADO-MDA-00008</td> <td>Nut</td> <td>1</td> </tr> <tr> <td>9.2</td> <td>Z-ROND-PIA-00028</td> <td>Washer</td> <td>1</td> </tr> <tr> <td>9.3</td> <td>Z-VITE-TE0-00210</td> <td>Screw</td> <td>1</td> </tr> </tbody> </table>	ID	Code	Description	Q.ty	9.1	Z-DADO-MDA-00008	Nut	1	9.2	Z-ROND-PIA-00028	Washer	1	9.3	Z-VITE-TE0-00210	Screw	1
ID	Code	Description	Q.ty																	
9.1	Z-DADO-MDA-00008	Nut	1																	
9.2	Z-ROND-PIA-00028	Washer	1																	
9.3	Z-VITE-TE0-00210	Screw	1																	
10	C-MOTO-OLE-00013	Hydraulic motor	1																	
11	Z-BULL-000-00502	Bolt	20	→																
				Q.ty for one component																
				<table border="1"> <thead> <tr> <th>ID</th> <th>Code</th> <th>Description</th> <th>Q.ty</th> </tr> </thead> <tbody> <tr> <td>11.1</td> <td>Z-ROND-PIA-00001</td> <td>Washer</td> <td>1</td> </tr> <tr> <td>11.2</td> <td>Z-VITE-TE0-00126</td> <td>Screw</td> <td>1</td> </tr> </tbody> </table>	ID	Code	Description	Q.ty	11.1	Z-ROND-PIA-00001	Washer	1	11.2	Z-VITE-TE0-00126	Screw	1				
ID	Code	Description	Q.ty																	
11.1	Z-ROND-PIA-00001	Washer	1																	
11.2	Z-VITE-TE0-00126	Screw	1																	

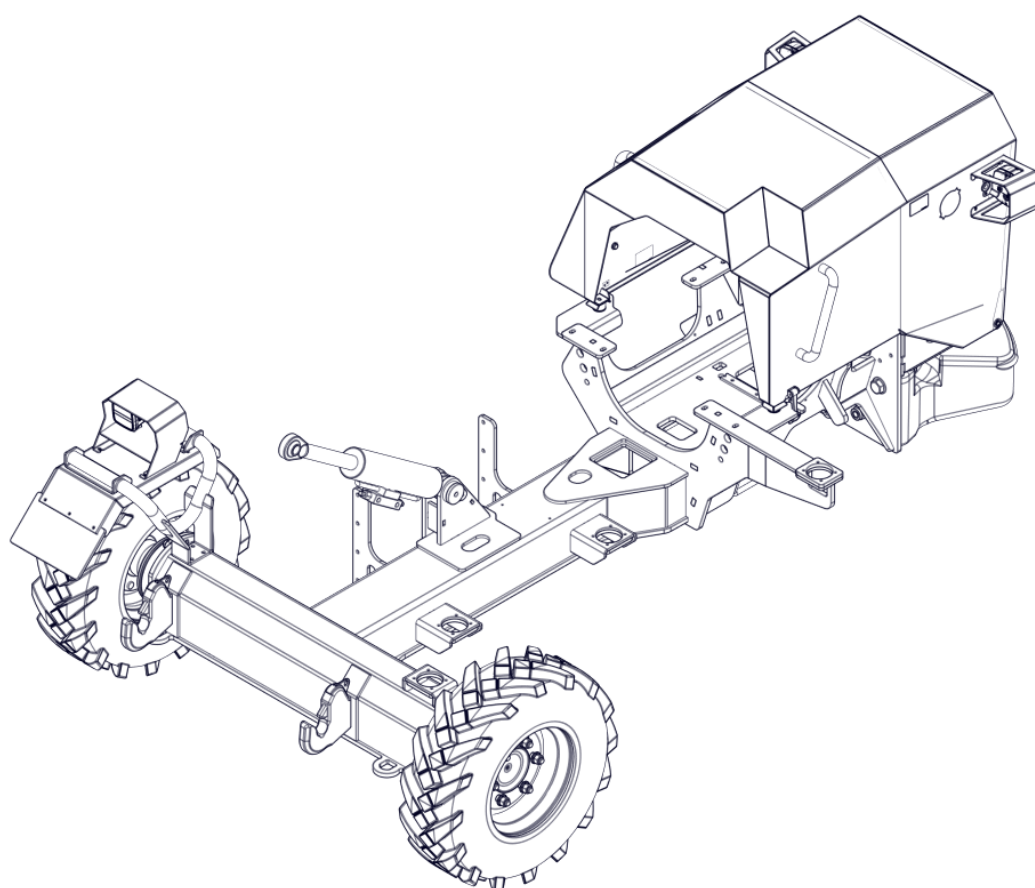


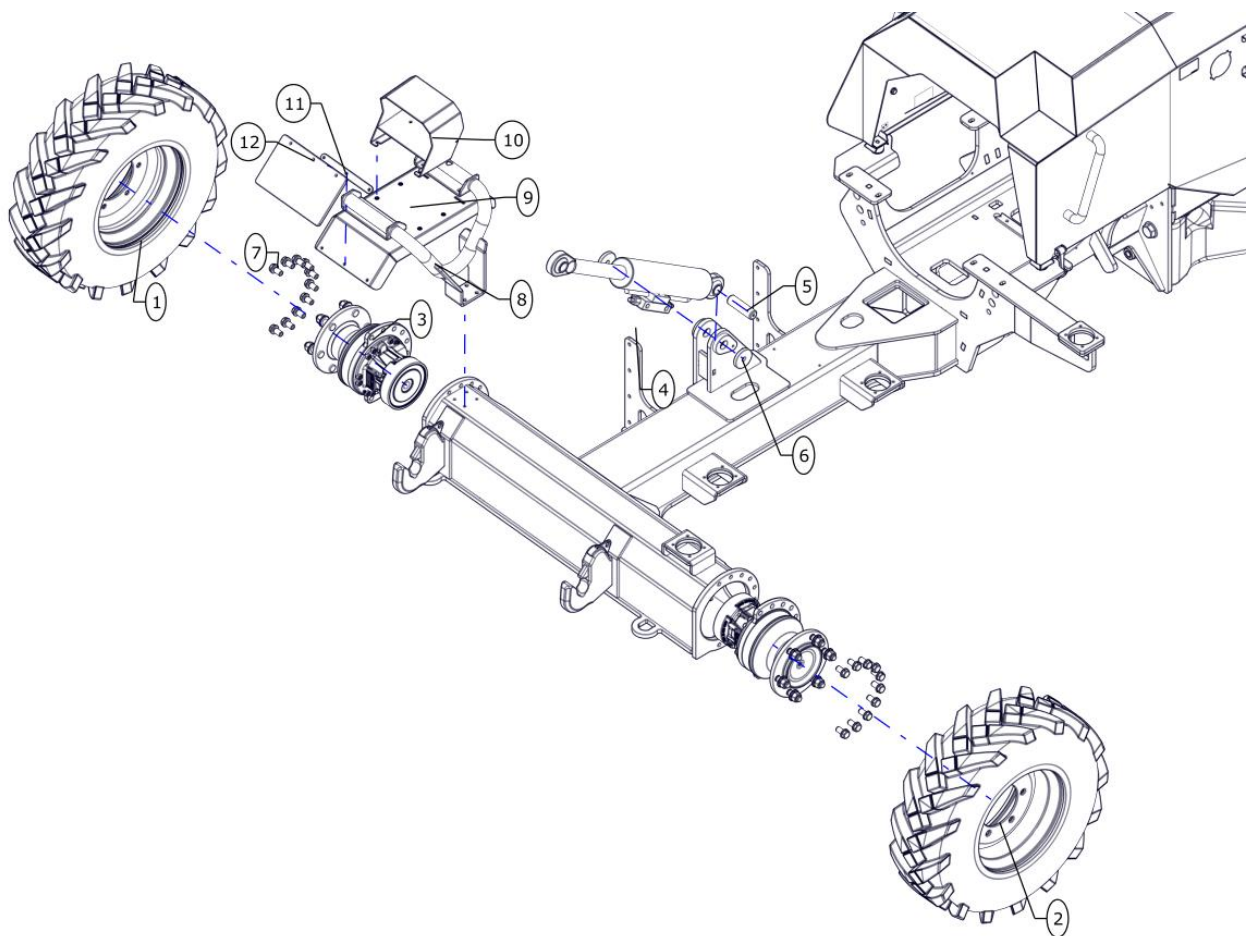




## **Section 06**

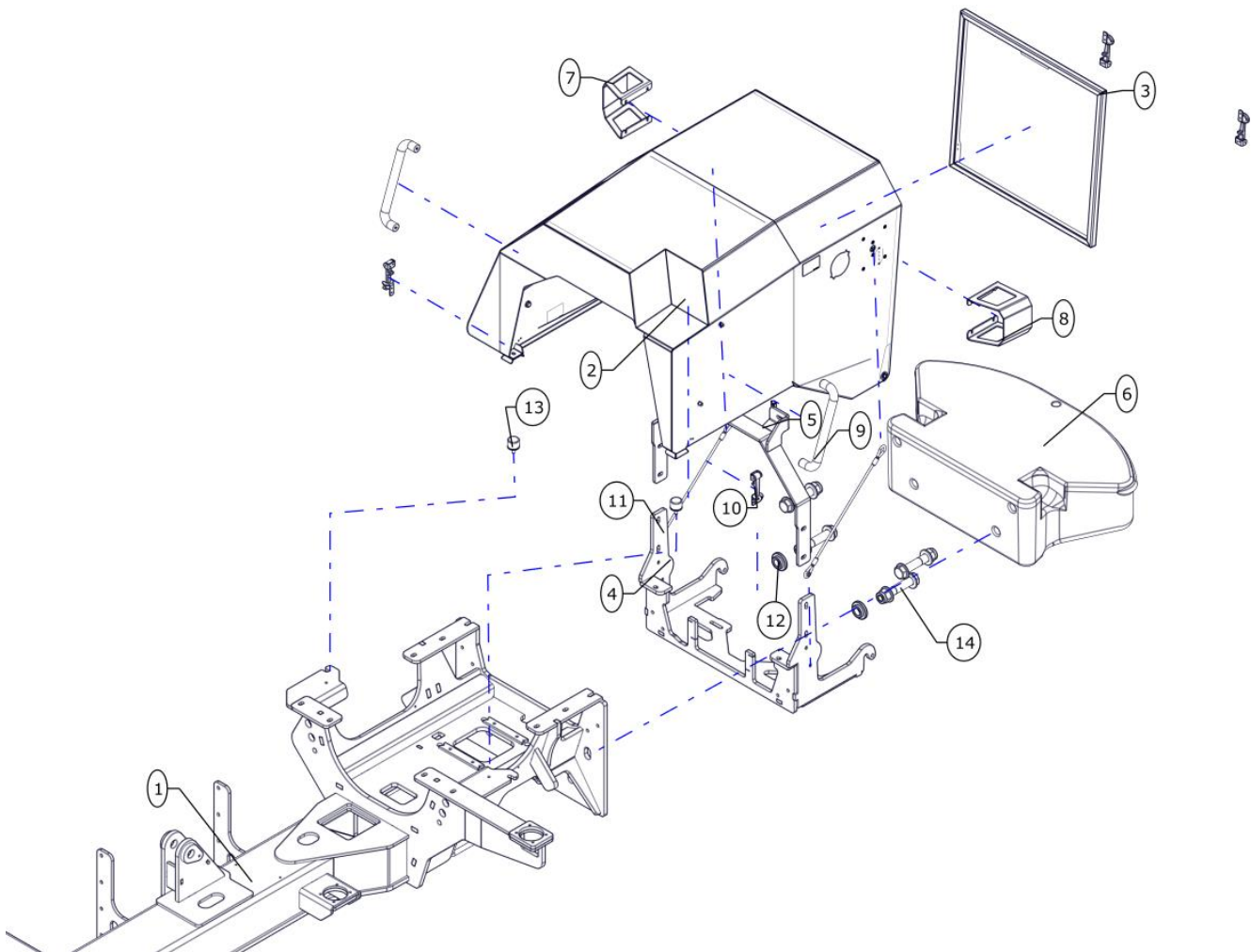
- Main frame
  - Main frame assembly \_\_\_\_\_ Pag.76
  - Main frame electric elements \_\_\_\_\_ Pag.80



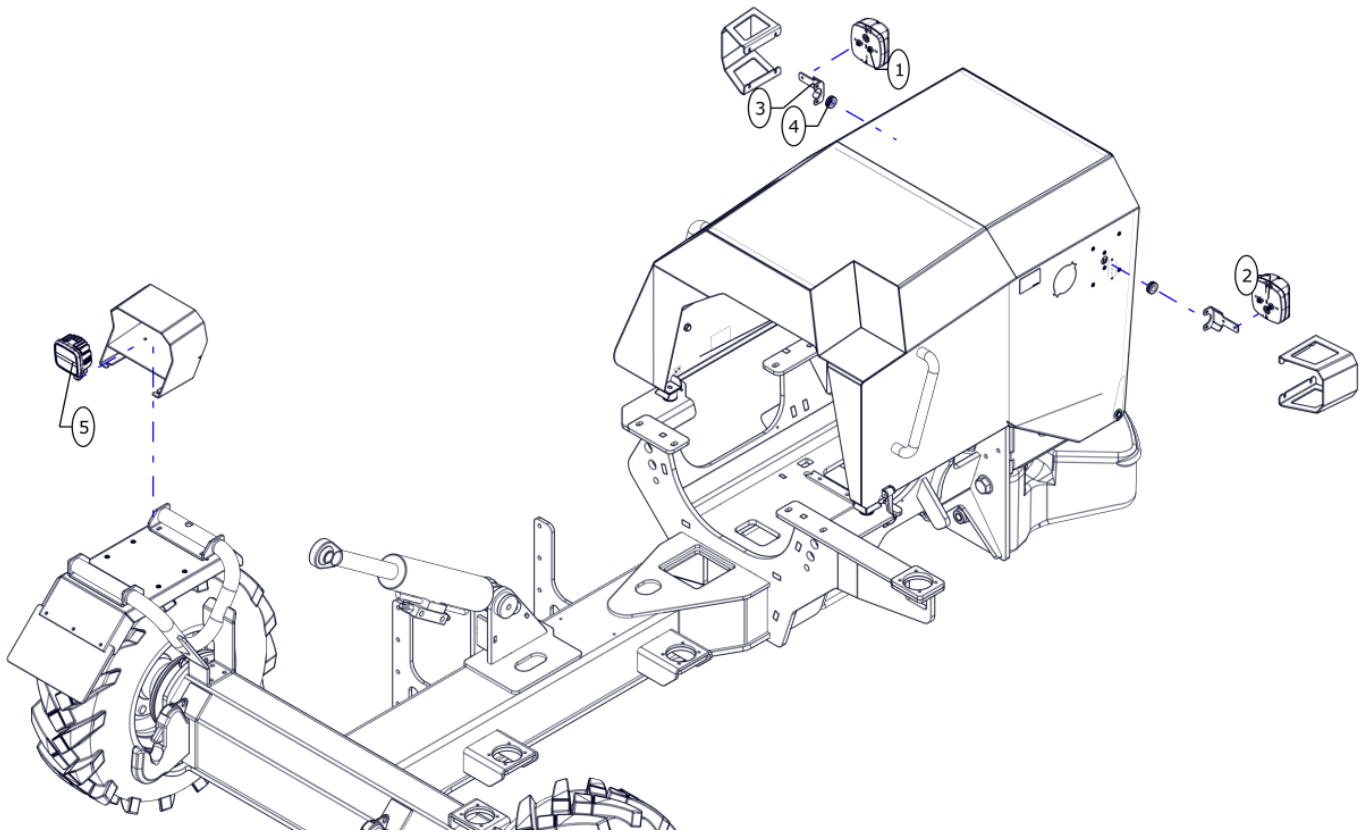


Tab.01

ID	Code	Description	Q.ty		Q.ty for one component			
ID	Code	Description	Q.ty		ID	Code	Description	Q.ty
1	C-RMOP-ROT-00057	Wheel	1	→	Q.ty for one component			
					1.1	C-RMOP-ROT-00038	Pneumatic wheel	1
					1.2	C-RMOP-ROT-00063	Wheel	1
2	C-RMOP-ROT-00118	Wheel	1	→	Q.ty for one component			
					2.1	C-RMOP-ROT-00038	Pneumatic wheel	1
					2.2	C-RMOP-ROT-00063	Wheel	1
3	C-MOTO-OLE-00012	Hydraulic motor	2	→	Q.ty for one component			
					3.1	C-MOTO-OLE-00052	SAV-PAL-REP kit	1
					3.2	C-MOTO-OLE-00053	Taper bearing	1
					3.3	C-MOTO-OLE-00054	Taper bearing	1
					3.4	C-RMOP-ASS-00091	Traped screw	1
					3.5	Z-BULL-000-00236	Nut kit	1
4	C-OLEO-CIL-00008	Cylinder	1	→	Q.ty for one component			
					4.1	C-ETNA-GUR-00071	Cylinder gasket	1
5	A-AGLE-030-00013	Swinging cylinder pin	1					
6	A-RT00-020-00002	Plate	2					
7	Z-BULL-000-00227	Bolt	20	→	Q.ty for one component			
					7.1	Z-ROND-PIA-00001	Washer	1
					7.2	Z-VITE-TE0-00060	Screw	1
8	A-AGLE-010-00086	Welded assembly	1					
9	A-AGLE-010-00087	Welded assembly	1					
10	A-AGLE-010-00089	Welded assembly	1					
11	A-AGLE-020-00459	Plate	1					
12	A-AGLE-031-00020	Front wheel rubber	1					

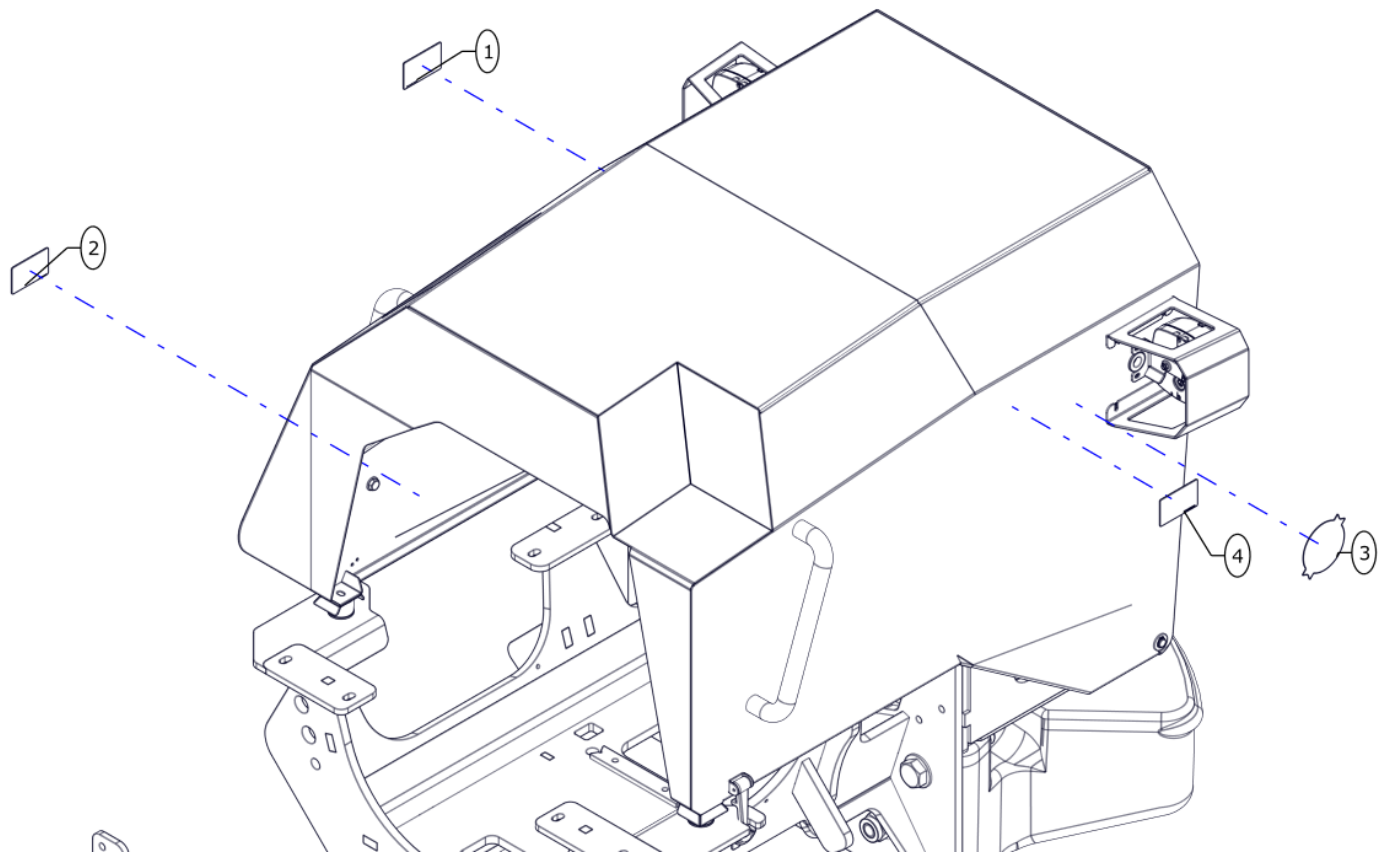






Tab.03

<b>ID</b>	<b>Code</b>	<b>Description</b>	<b>Q.ty</b>
1	C-ELET-ILL-00027	Lighting	1
2	C-ELET-ILL-00027	Lighting	1
3	A-AGLE-020-00248	Plate	2
4	C-ELET-GUA-00008	Cable sheath	2
5	C-ELET-ILL-00052	Red Led light	1



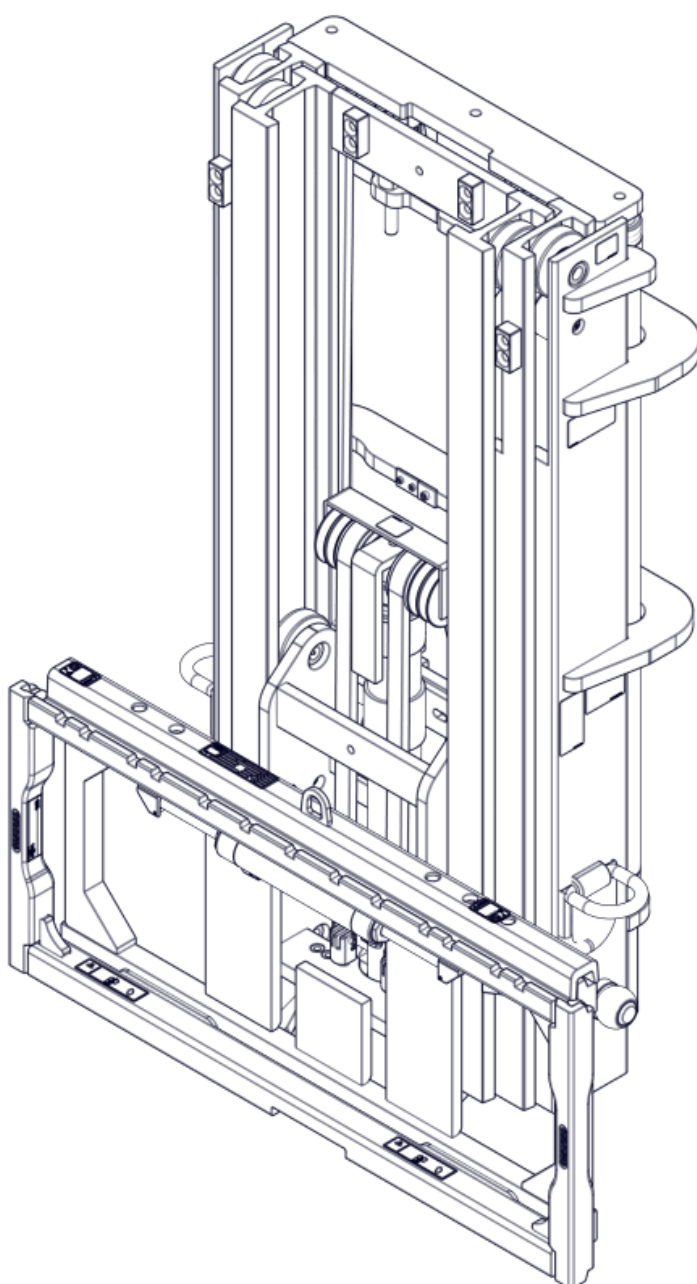
Tab.04

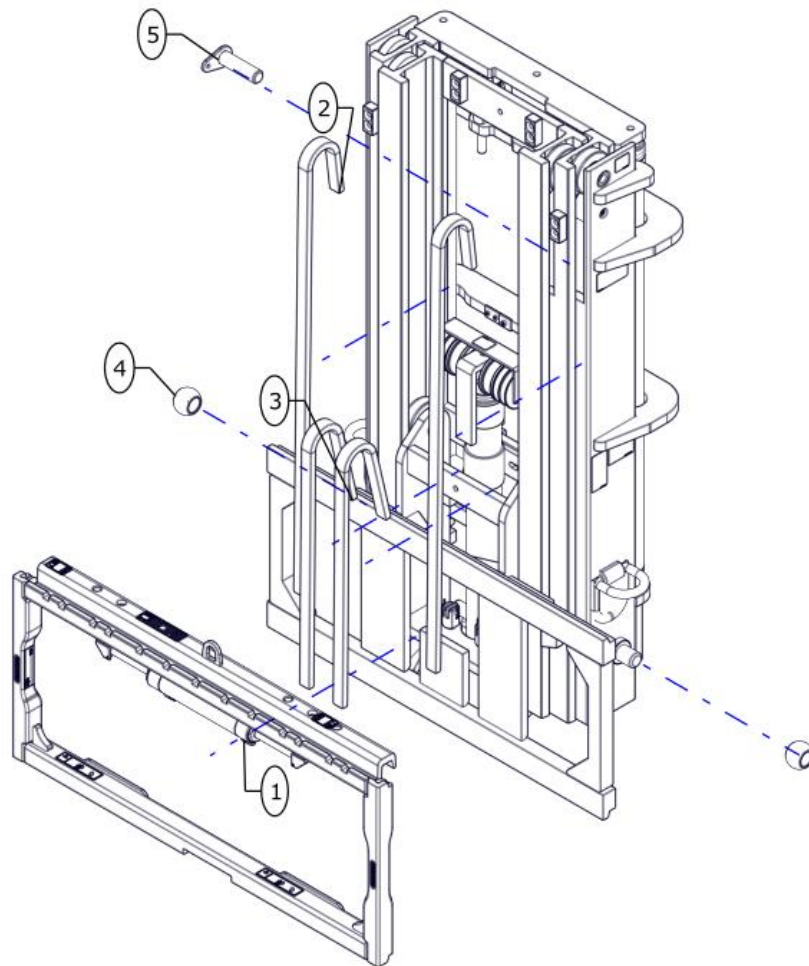
<b>ID</b>	<b>Code</b>	<b>Description</b>	<b>Q.ty</b>
1	G-0000-980-00150	Sticker/plate	1
2	G-0000-980-00193	Sticker/plate	1
3	G-0000-980-00138	Sticker/plate	1
4	G-0000-980-00150	Sticker/plate	1



# **Section 07**

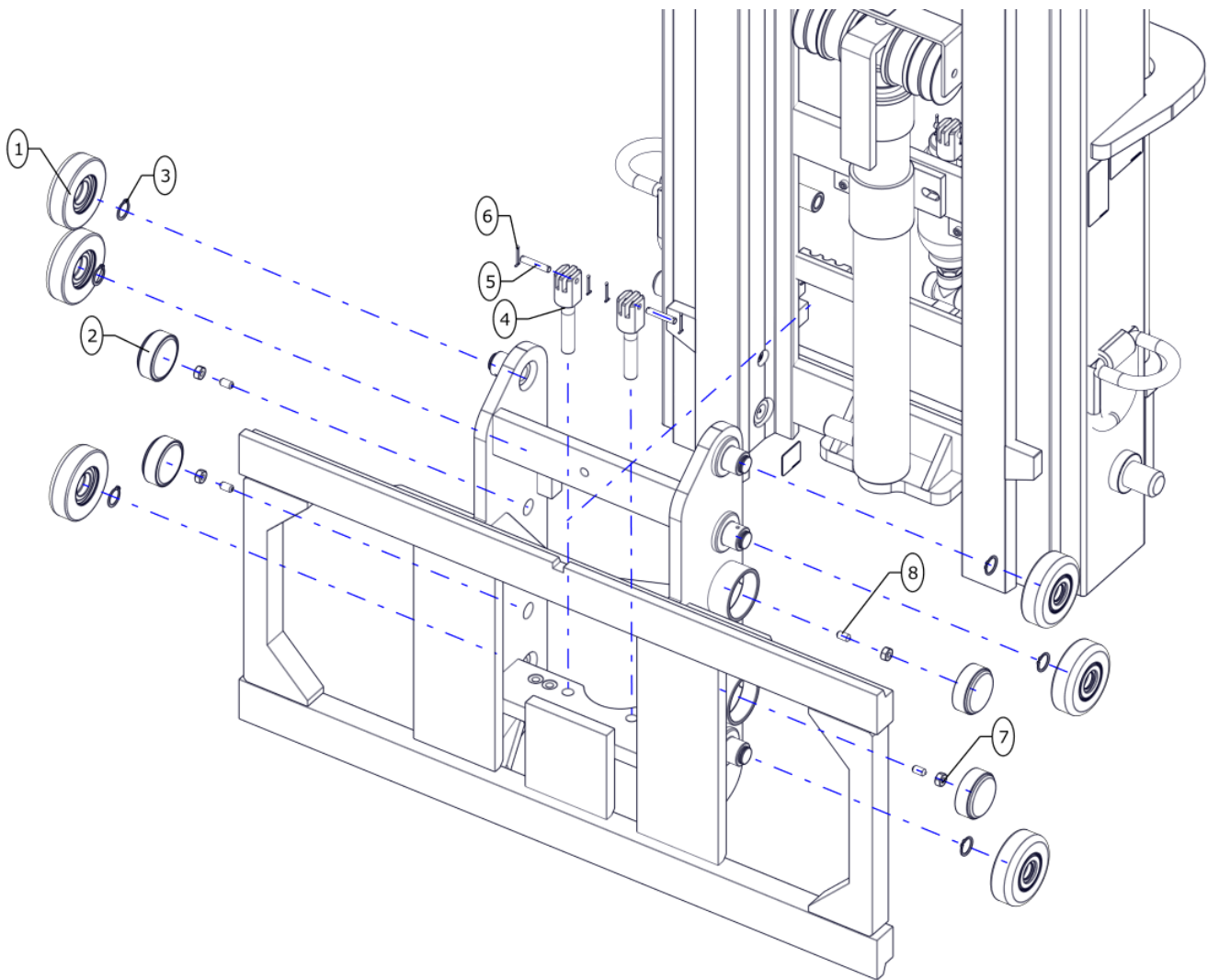
- Mast
  - Mast assembly \_\_\_\_\_ Pag.86





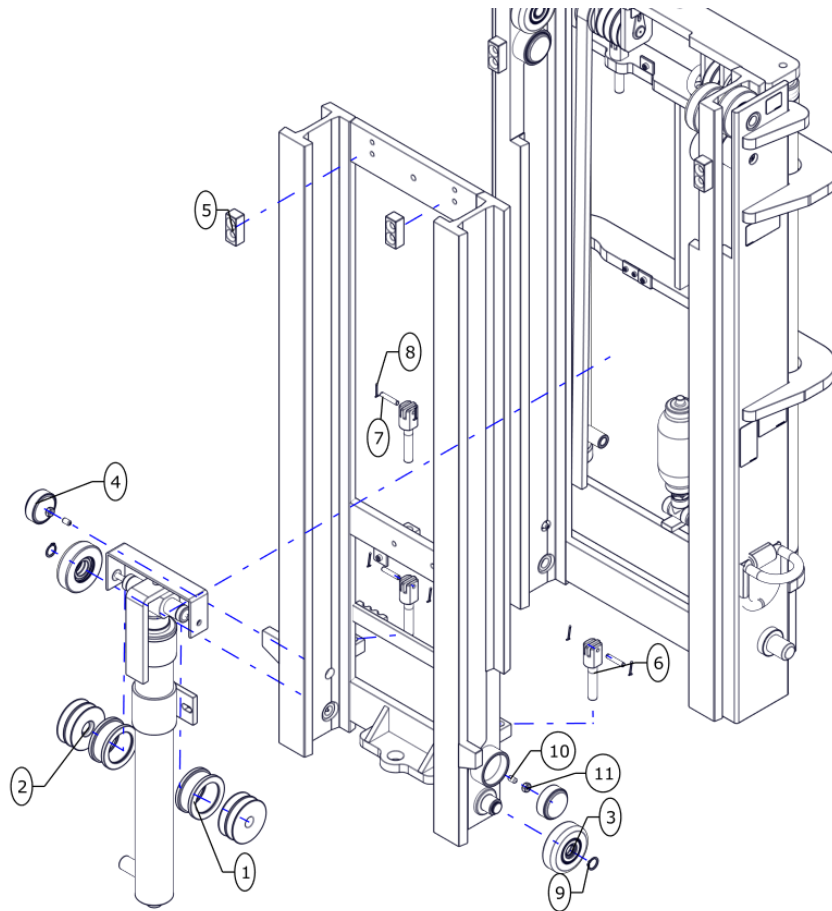
Tab.01

<b>ID</b>	<b>Code</b>	<b>Description</b>	<b>Q.ty</b>
1	C-TRMO-000-00050	fem 3 traslator	1
2	C-TRAM-CAT-00064	Chain	2
3	C-TRAM-CAT-00055	Chain	2
4	C-ECOL-GRA-00006	Rapid hook	2
5	G-0000-010-00015	Plate	1



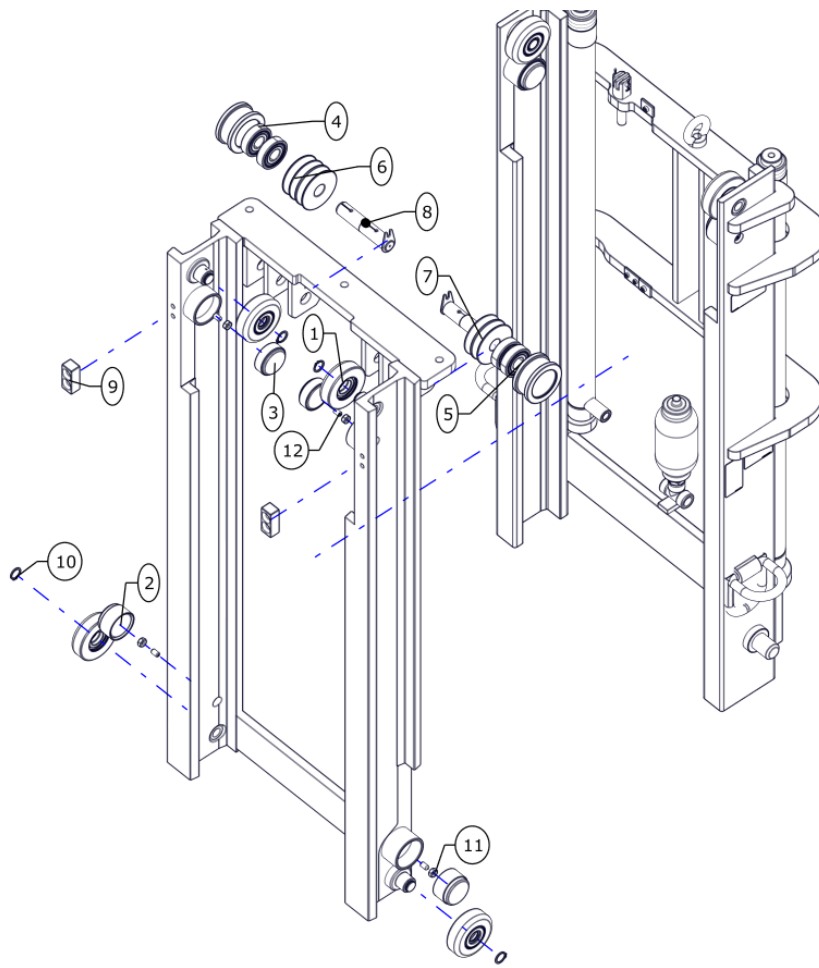
Tab.02

<b>ID</b>	<b>Code</b>	<b>Description</b>	<b>Q.ty</b>
1	C-SCOR-CUS-00091	Bearing	6
2	C-TRMO-000-00036	Shoes	4
3	Z-SEEG-EST-00005	Seeger	6
4	C-TRAM-CAT-00057	Fleyer chain anchor pin	2
5	C-ECOL-PER-00015	Fleyer chain pin	2
6	C-ECOL-COP-00007	Split pin	4
7	Z-DADO-MDO-00020	Nut	4
8	Z-GRAN-PIA-00007	Grain	4



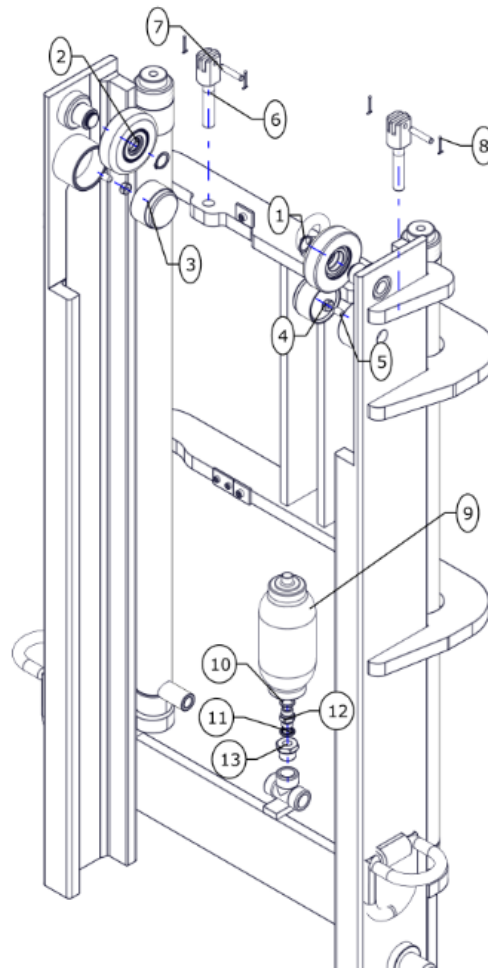
Tab.03

<b>ID</b>	<b>Code</b>	<b>Description</b>	<b>Q.ty</b>
1	C-TRMO-000-00025	Pulley	2
2	C-TRMO-000-00059	Mast	2
3	C-SCOR-CUS-00091	Bearing	2
4	C-TRMO-000-00036	Shoes	2
5	A-EGL4-030-00013	Block	2
6	C-TRAM-CAT-00057	Fleyer chain anchor pin	3
7	C-ECOL-PER-00015	Fleyer chain pin	3
8	C-ECOL-COP-00007	Spilt pin	6
9	Z-SEEG-EST-00005	Seeger	2
10	Z-GRAN-PIA-00007	Grain	2
11	Z-DADO-MD0-00020	Nut	2



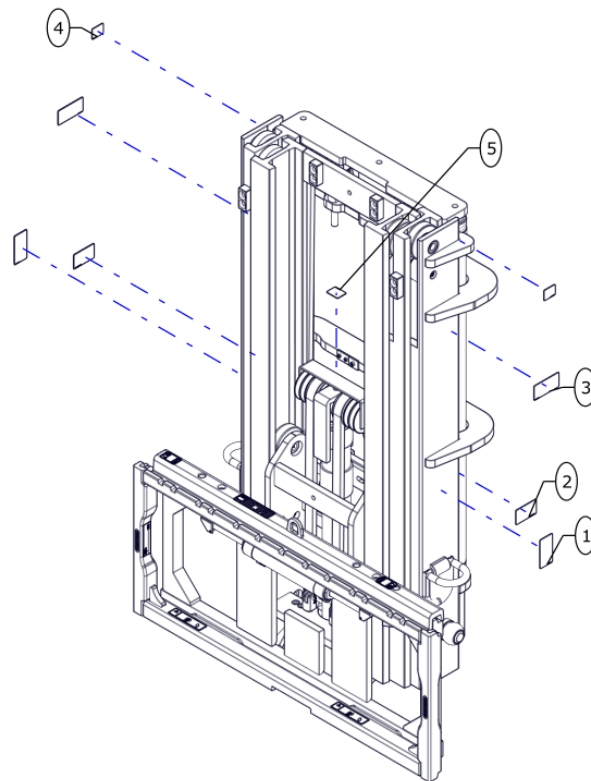
Tab.04

<b>ID</b>	<b>Code</b>	<b>Description</b>	<b>Q.ty</b>
1	C-SCOR-CUS-00091	Bearing	4
2	C-TRMO-000-0003	Long pad	2
3	C-TRMO-000-00036	Shoes	2
4	C-TRMO-000-00024	Mast pulley	2
5	C-SCOR-CUS-00104	Bearing	4
6	C-TRMO-000-00060	Hoses pulley	1
7	C-TRMO-000-00054	Mast	1
8	C-TRMO-000-00061	Pulley pin	1
9	A-EGL4-030-00013	Block	2
10	Z-SEEG-EST-00005	Seeger	4
11	Z-DADO-MD0-00020	Nut	4
12	Z-GRAN-PIA-00007	Grain	4



Tab.05

<b>ID</b>	<b>Code</b>	<b>Description</b>	<b>Q.ty</b>
1	Z-SEEG-EST-00005	Seeger	2
2	C-SCOR-CUS-00091	Bearing	2
3	C-TRMO-000-00037	Long pad	2
4	Z-DADO-MD0-00020	Nut	2
5	Z-GRAN-PIA-00007	Grain	2
6	C-TRAM-CAT-00057	Fleyer chain anchor pin	2
7	C-ECOL-PER-00015	Fleyer chain pin	2
8	C-ECOL-COP-00007	Split pin	4
9	C-AMMO-000-00001	Shock absorber	1
10	C-OLEO-RAC-00169	Junction	1
11	C-OLEO-RAC-00103	Junction	1
12	C-OLEO-RAC-00142	Junction	1
13	C-OLEO-RAC-00180	Junction	1



Tab.06

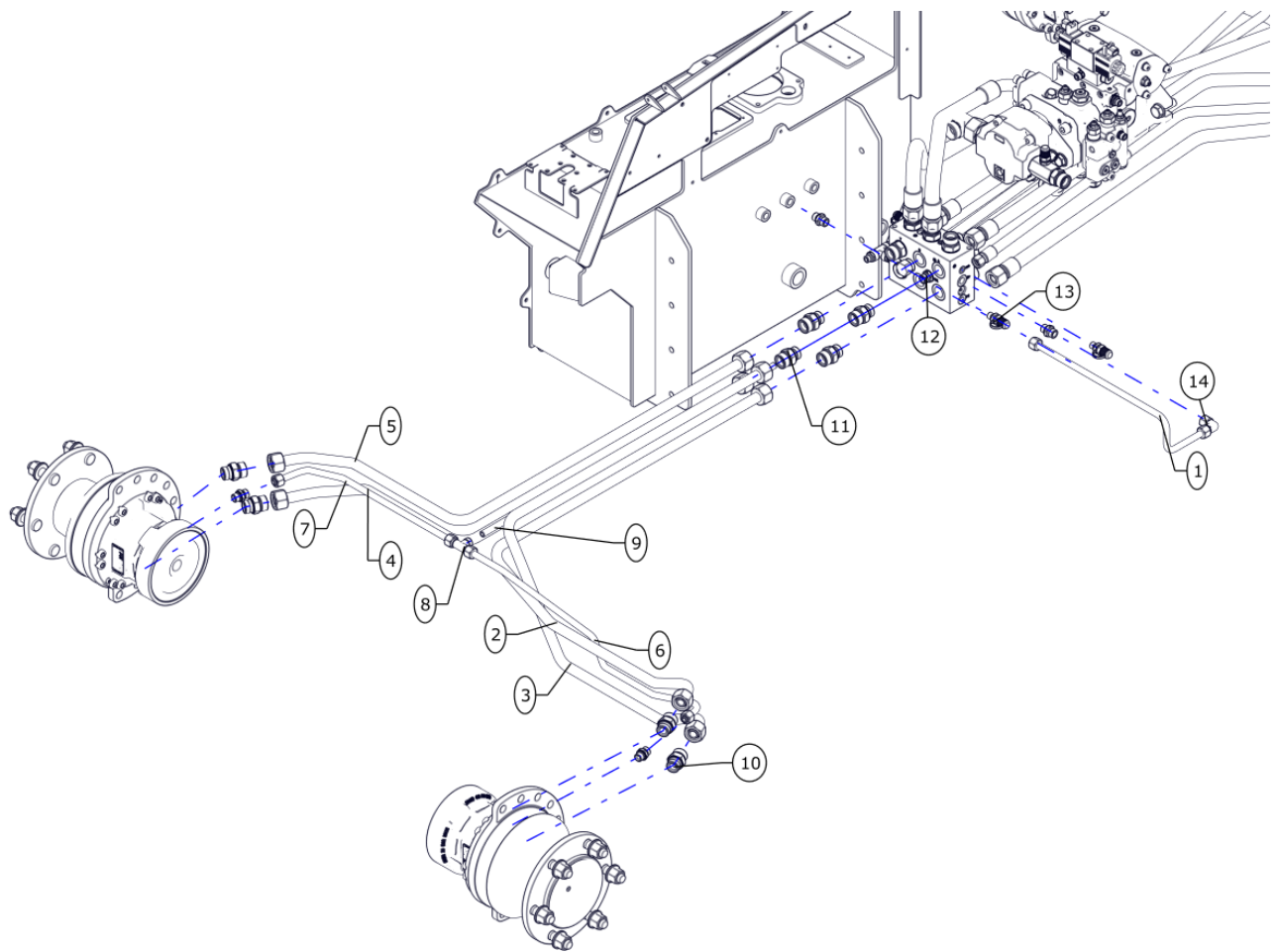
<b>ID</b>	<b>Code</b>	<b>Description</b>	<b>Q.ty</b>
1	G-0000-980-00149	Sticker/plate	2
2	G-0000-980-00150	Sticker/plate	2
3	G-0000-980-00194	Sticker/plate	2
4	G-0000-980-00017	Greasing point sticker	2
5	G-0000-980-00017	Greasing point sticker	1



---

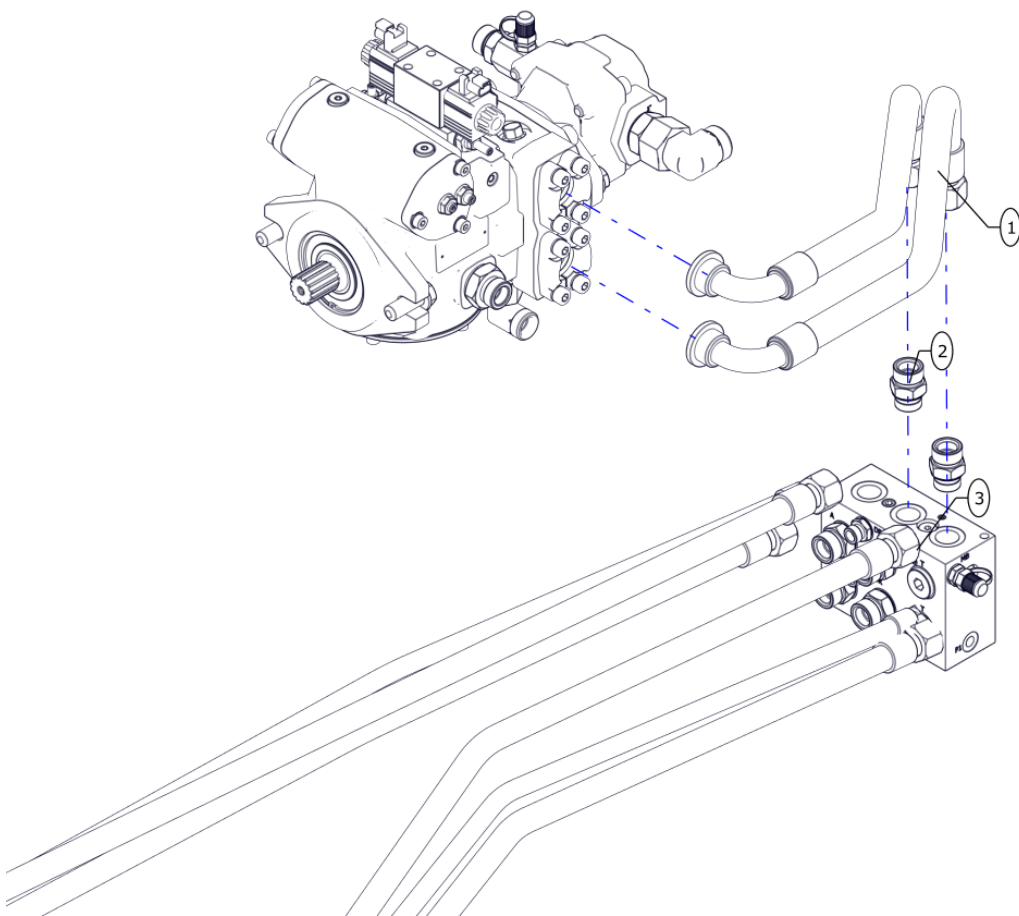
## **Section 08**

- Hydraulic plant
  - Wheel rotation circuit\_\_\_\_\_Pag.100
  - Brake disengage circuit\_\_\_\_\_Pag.108
  - Wheel pump circuit\_\_\_\_\_Pag.114
  - Oil cooling circuit\_\_\_\_\_Pag.116
  - Service pump circuit\_\_\_\_\_Pag.118
  - Steering circuit\_\_\_\_\_Pag.120
  - Distributor circuit\_\_\_\_\_Pag.126
  - Mast circuit\_\_\_\_\_Pag.128
  - Inching circuit\_\_\_\_\_Pag.132



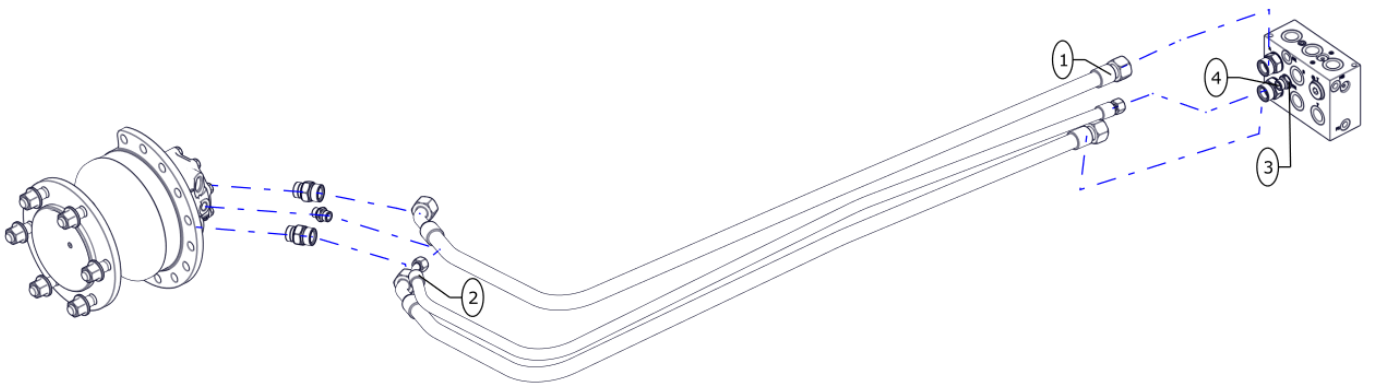
Tab.01

<b>ID</b>	<b>Code</b>	<b>Description</b>	<b>Q.ty</b>
1	A-AGLE-103-00081	Rigid pipe	1
2	A-AGLE-103-00014	Rigid pipe	1
3	A-AGLE-103-00013	Rigid pipe	1
4	A-AGLE-103-00012	Rigid pipe	1
5	A-AGLE-103-00011	Rigid pipe	1
6	A-AGLE-103-00016	Rigid pipe	1
7	A-AGLE-103-00015	Rigid pipe	1
8	C-OLEO-RAC-00010	Junction	1
9	A-AGLE-103-00027	Rigid pipe	1
10	C-OLEO-RAC-00045	Junction	4
11	C-OLEO-RAC-00037	Junction	2
12	C-OLEO-RAC-00037	Junction	2
13	C-OLEO-RAC-00356	Junction	2
14	C-OLEO-RAC-00621	Junction	1
15	C-OLEO-RAC-00045	Junction	4



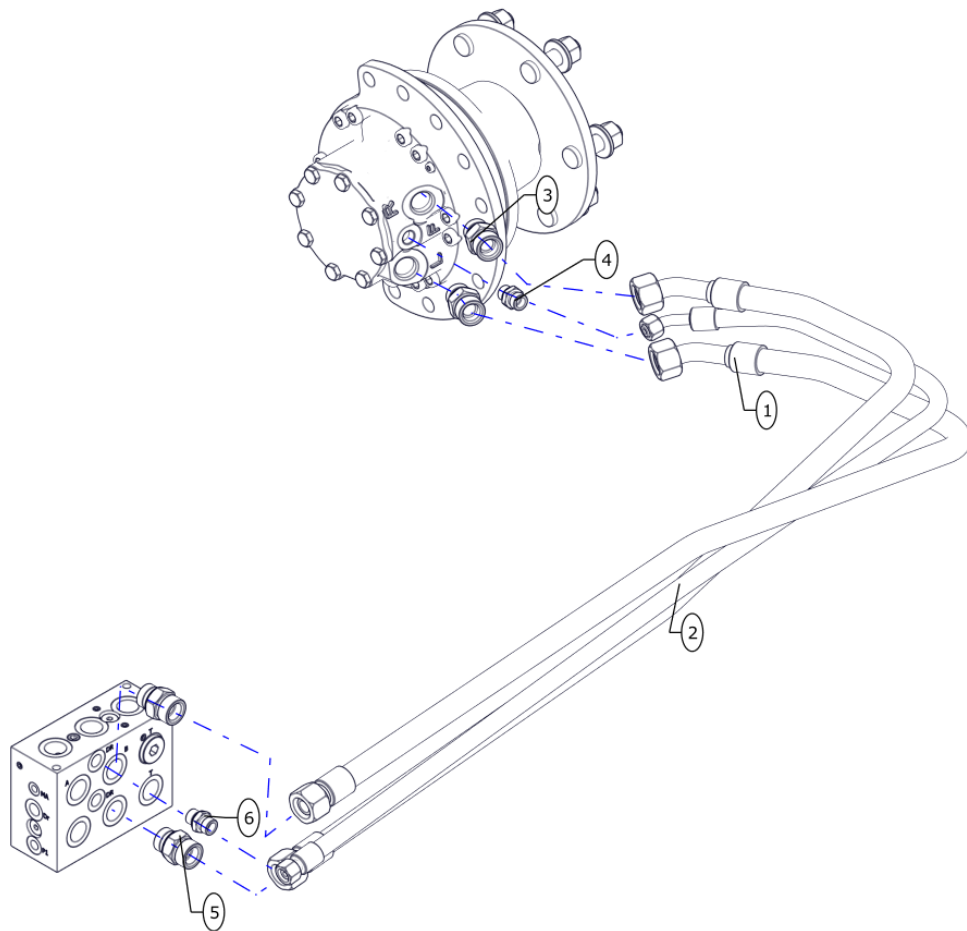
Tab.02

<b>ID</b>	<b>Code</b>	<b>Description</b>	<b>Q.ty</b>
1	A-AGLE-102-00039	Hose	2
2	C-OLEO-RAC-00045	Junction	2
3	A-AGLE-101-00001	Hydraulic block	1



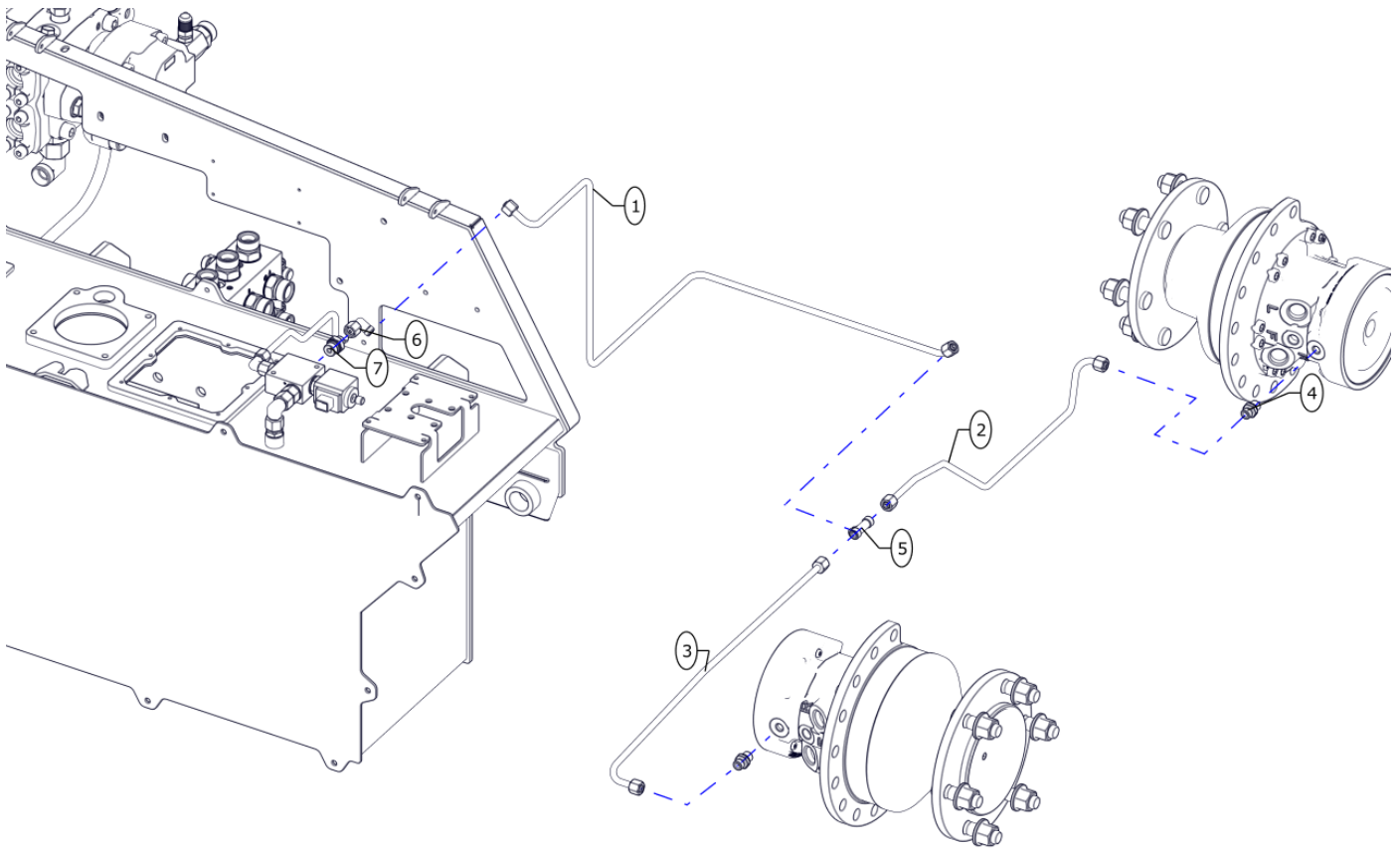
Tab.03

<b>ID</b>	<b>Code</b>	<b>Description</b>	<b>Q.ty</b>
1	A-AGLE-102-00004	Hose	2
2	A-AGLE-102-00005	Hose	1
3	C-OLEO-RAC-00037	Junction	2
4	C-OLEO-RAC-00045	Junction	4



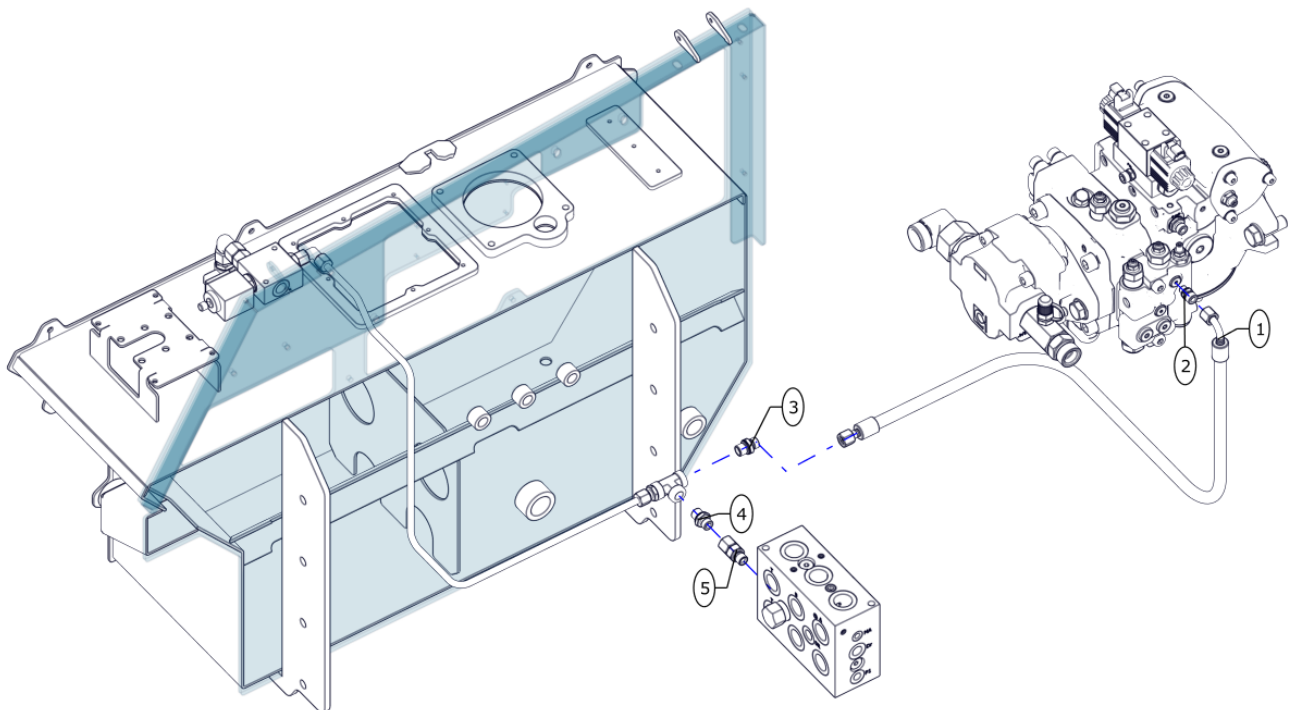
Tab.04

<b>ID</b>	<b>Code</b>	<b>Description</b>	<b>Q.ty</b>
1	A-AGLE-102-00004	Hose	2
2	A-AGLE-102-00005	Hose	1
3	C-OLEO-RAC-00045	Junction	2
4	C-OLEO-RAC-00037	Junction	1
5	C-OLEO-RAC-00045	Junction	2
6	C-OLEO-RAC-00037	Junction	1



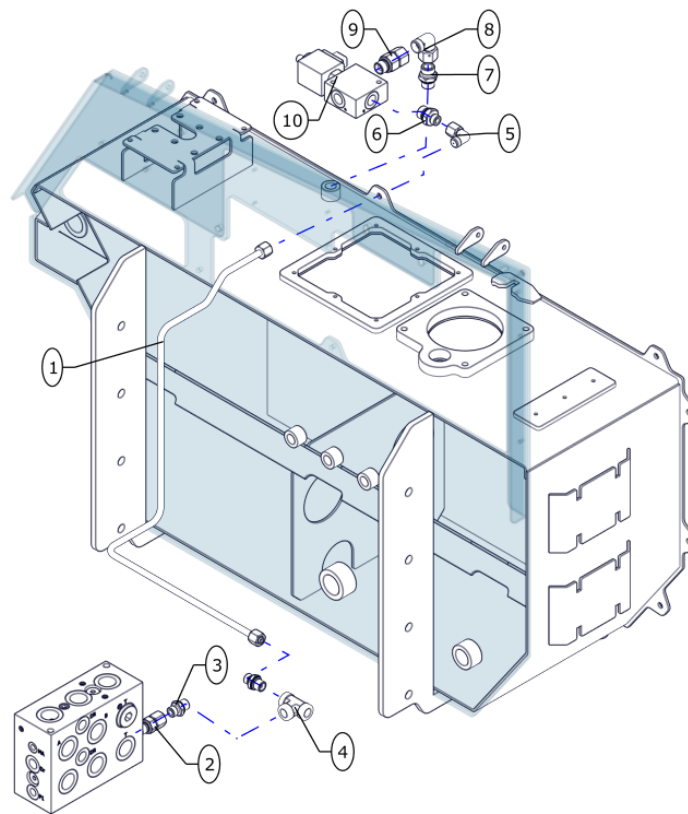
Tab.05

<b>ID</b>	<b>Code</b>	<b>Description</b>	<b>Q.ty</b>
1	A-AGLE-103-00084	Rigid pipe	1
2	A-AGLE-103-00018	Rigid pipe	1
3	A-AGLE-103-00017	Rigid pipe	1
4	C-OLEO-RAC-00036	Junction	2
5	C-OLEO-RAC-00405	Junction	1
6	C-OLEO-RAC-00567	Junction	1
7	C-OLEO-RAC-00035	Junction	1



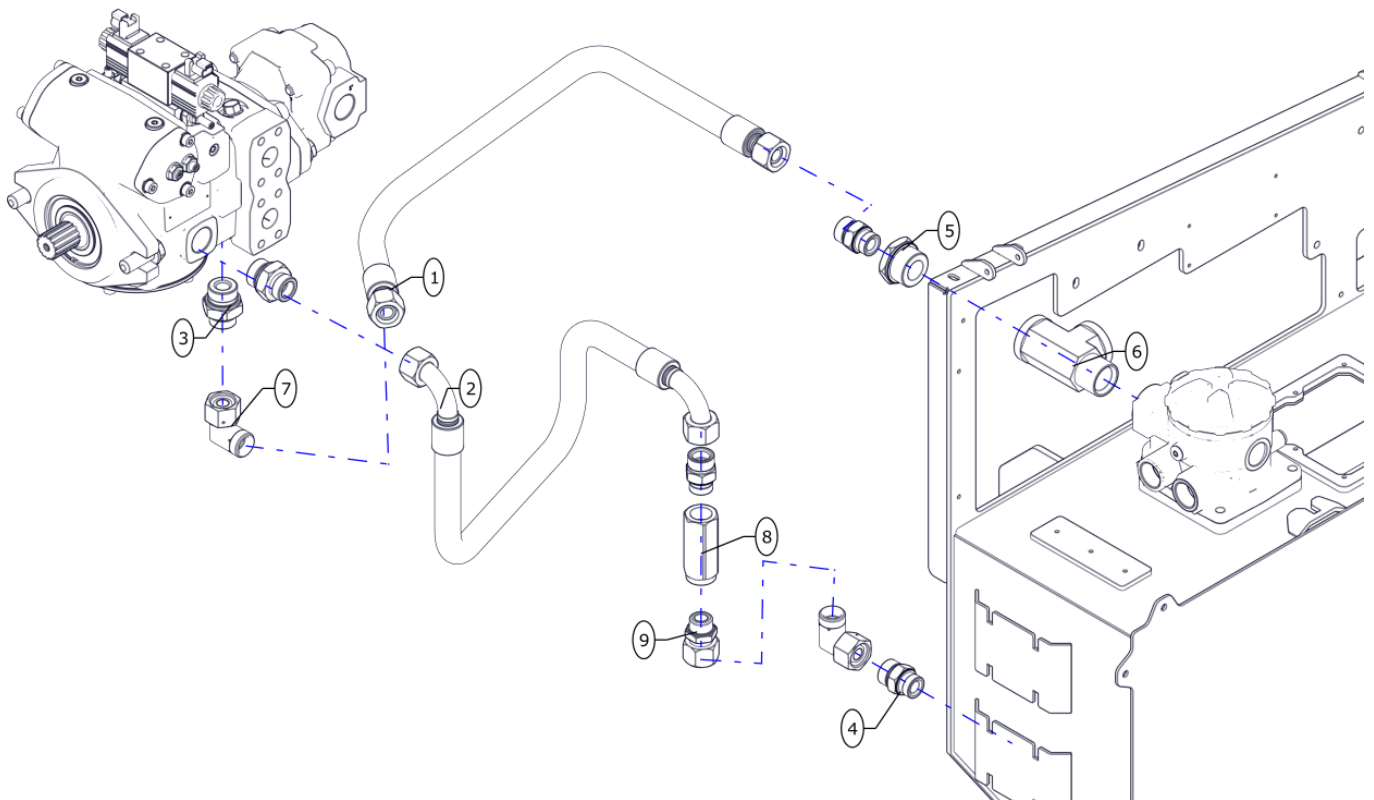
Tab.06

<b>ID</b>	<b>Code</b>	<b>Description</b>	<b>Q.ty</b>
1	A-AGLE-102-00066	Hose	1
2	C-OLEO-RAC-00033	Junction	1
3	C-OLEO-RAC-00036	Junction	1
4	C-OLEO-RAC-00036	Junction	1
5	C-OLEO-RAC-00471	Junction	1



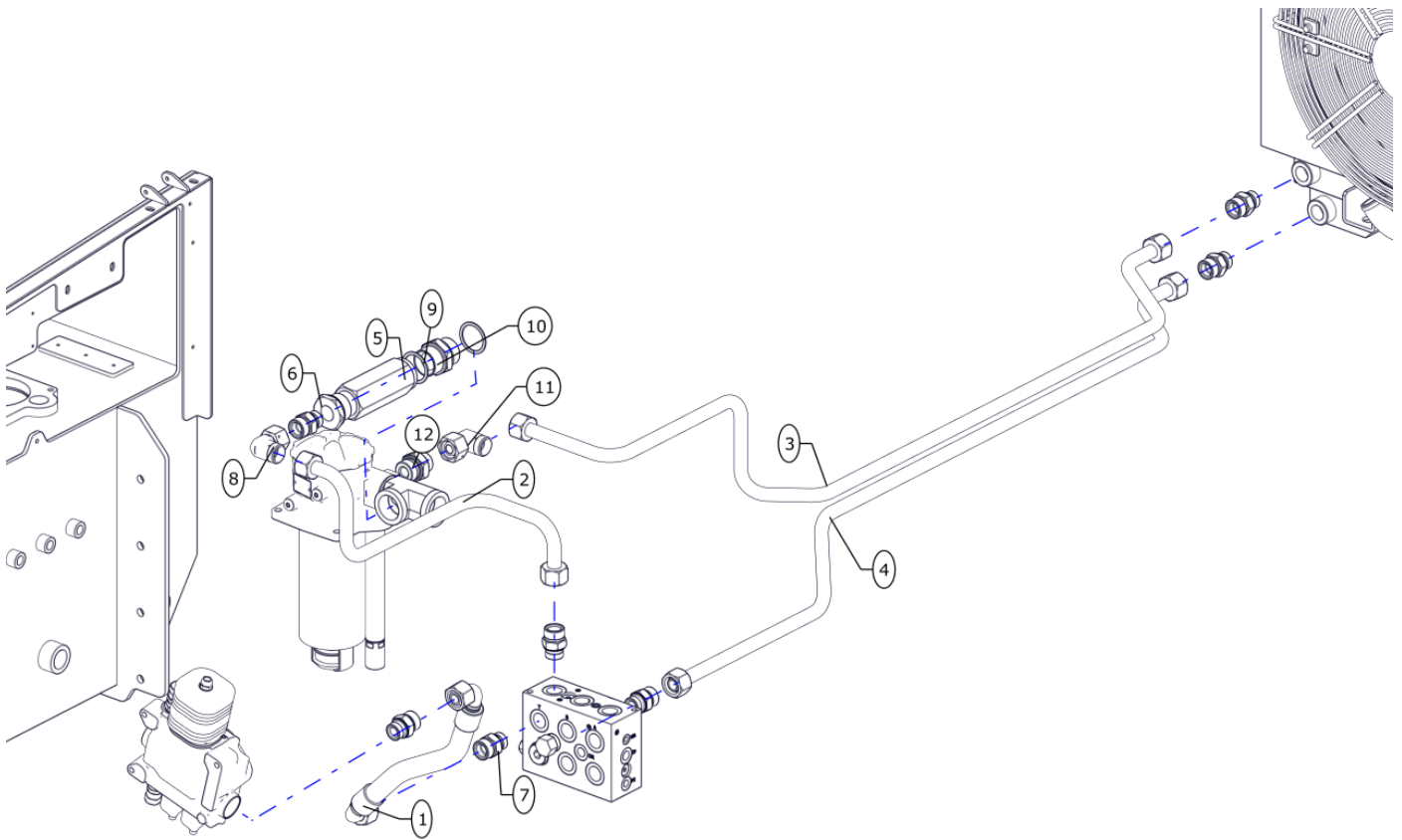
Tab.07

<b>ID</b>	<b>Code</b>	<b>Description</b>	<b>Q.ty</b>
1	A-AGLE-103-00085	Rigid pipe	1
2	C-OLEO-RAC-00471	Junction	1
3	C-OLEO-RAC-00036	Junction	2
4	C-OLEO-RAC-00025	Junction	1
5	C-OLEO-RAC-00567	Junction	1
6	C-OLEO-RAC-00035	Junction	1
7	C-OLEO-RAC-00037	Junction	1
8	C-OLEO-RAC-00621	Junction	1
9	C-OLEO-RAC-00198	Junction	1
10	C-OLEO-VAL-00116	Valve	1



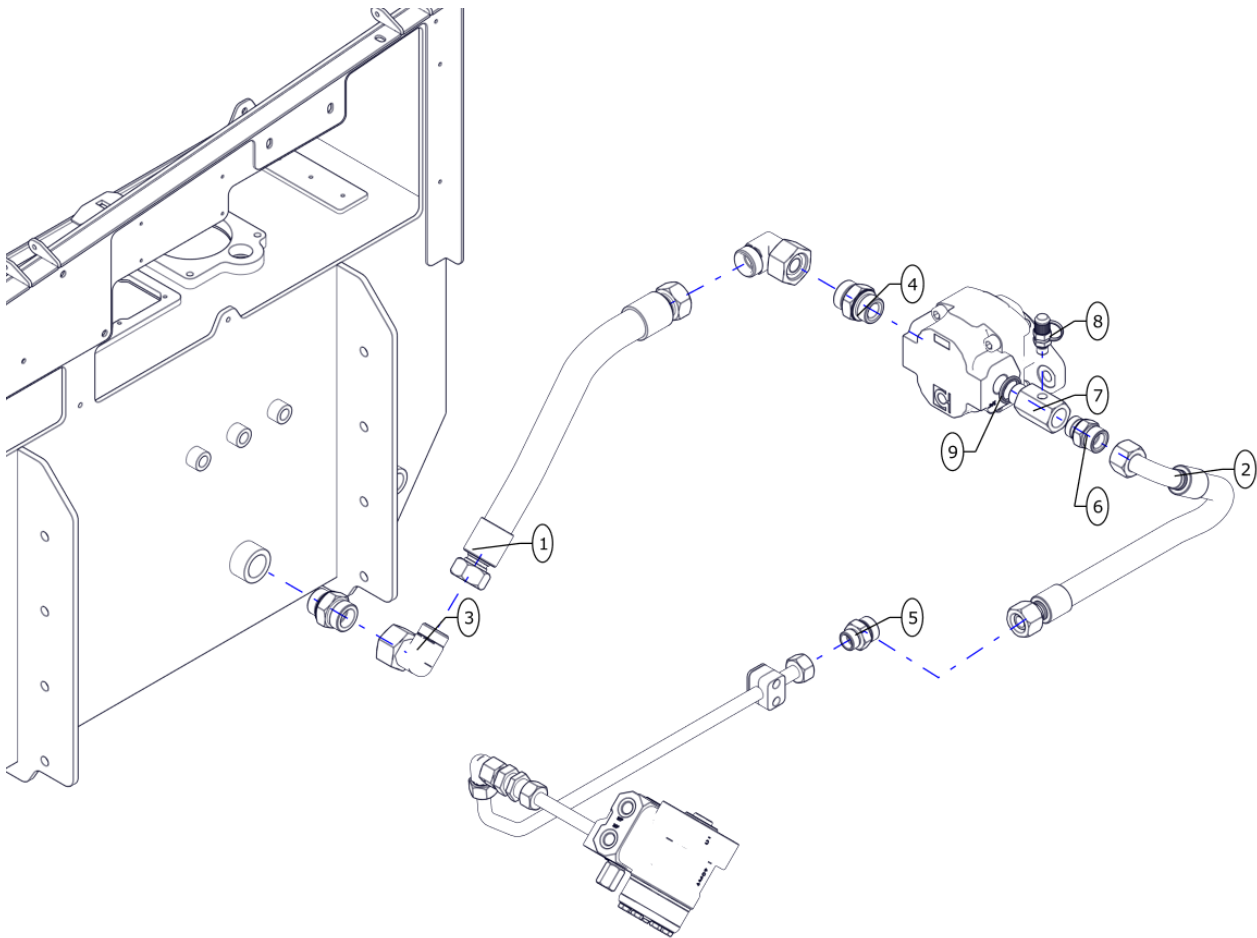
Tab.08

<b>ID</b>	<b>Code</b>	<b>Description</b>	<b>Q.ty</b>
1	A-AGLE-102-00065	Hose	1
2	A-AGLE-102-00067	Hose	1
3	C-OLEO-RAC-00177	Junction	2
4	C-OLEO-RAC-00045	Junction	3
5	C-OLEO-RAC-00209	Junction	1
6	C-OLEO-RAC-00023	Junction	1
7	C-OLEO-RAC-00082	Junction	2
8	C-OLEO-VAL-00004	Hydraulic Valve	1
9	C-OLEO-RAC-00049	Junction	1



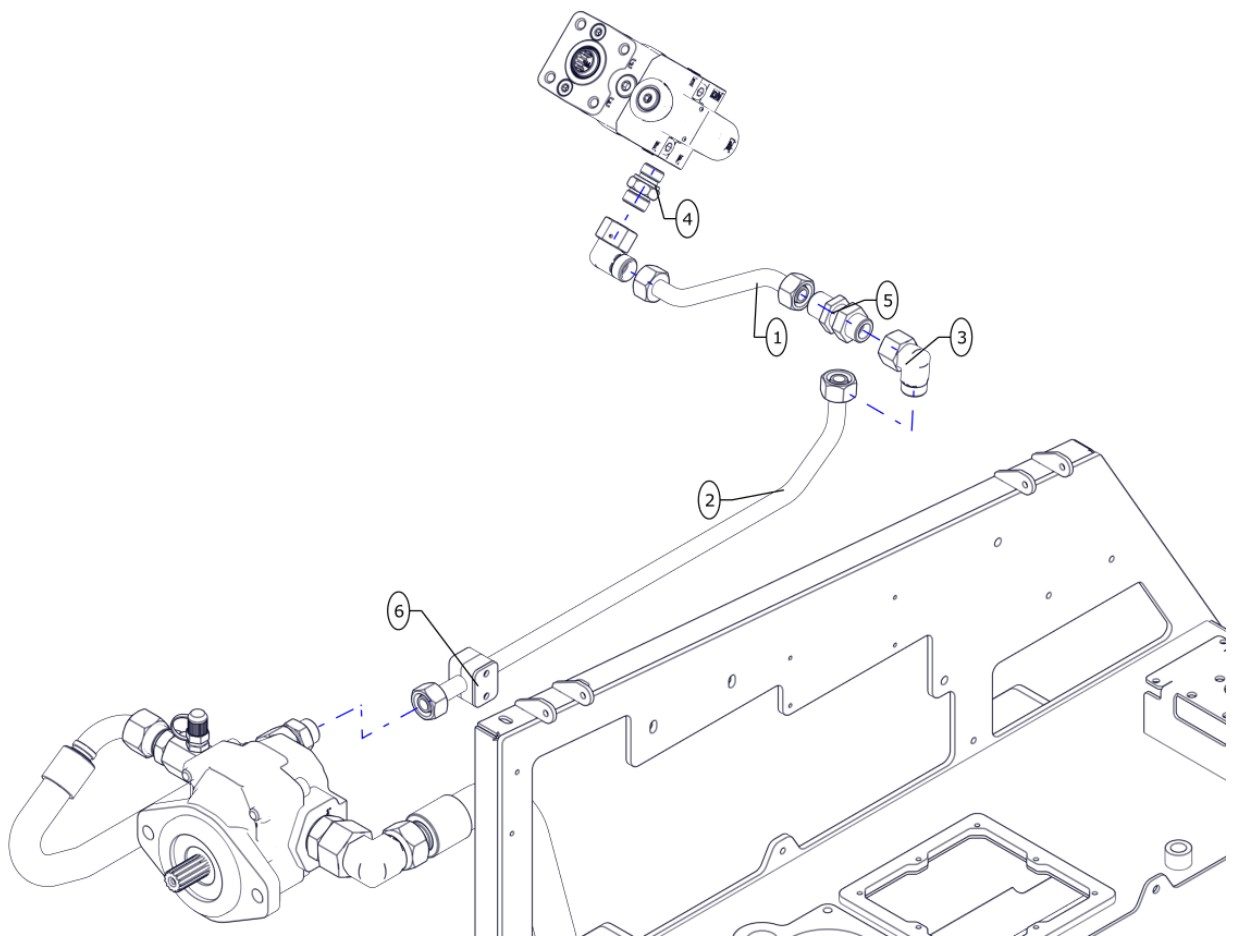
Tab.09

<b>ID</b>	<b>Code</b>	<b>Description</b>	<b>Q.ty</b>
1	A-AGLE-102-00069	Hose	1
2	A-AGLE-103-00080	Rigid pipe	1
3	A-AGLE-103-00082	Rigid pipe	1
4	A-AGLE-103-00083	Rigid pipe	1
5	C-OLEO-VAL-00005	Hydraulic Valve	1
6	C-OLEO-RAC-00209	Junction	1
7	C-OLEO-RAC-00045	Junction	7
8	C-OLEO-RAC-00082	Junction	1
9	C-OLEO-RAC-00098	Junction	2
10	C-OLEO-RAC-00140	Junction	1
11	C-OLEO-RAC-00082	Junction	1
12	C-OLEO-RAC-00177	Junction	1



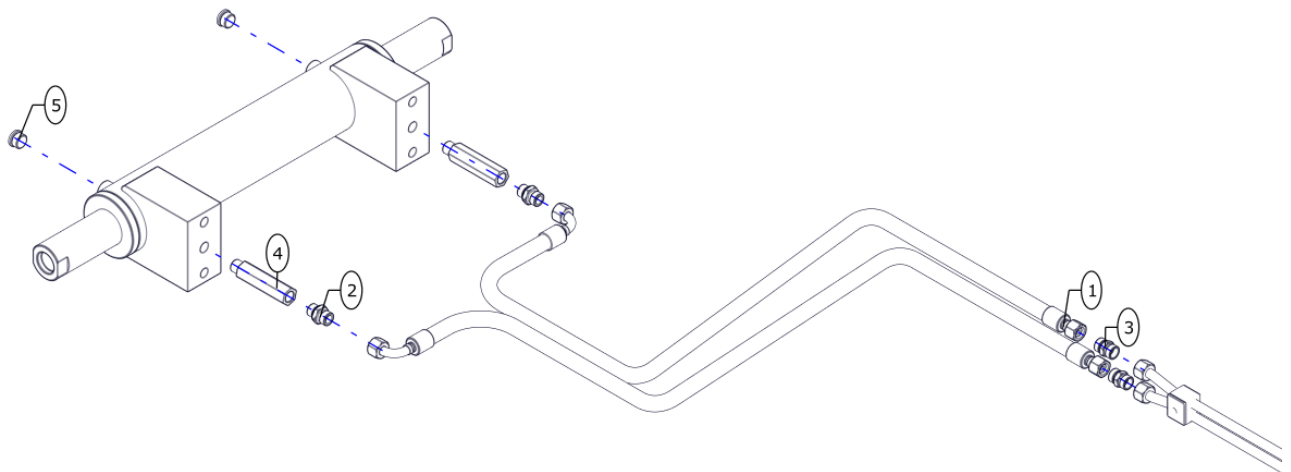
Tab.10

<b>ID</b>	<b>Code</b>	<b>Description</b>	<b>Q.ty</b>
1	A-AGLE-102-00068	Hose	1
2	A-AGLE-102-00070	Hose	1
3	C-OLEO-RAC-00277	Junction	2
4	C-OLEO-RAC-00047	Junction	2
5	C-OLEO-RAC-00130	Junction	1
6	C-OLEO-RAC-00045	Junction	1
7	G-0000-040-00009	Wrought component	1
8	C-OLEO-RAC-00356	Junction	1
9	C-OLEO-RAC-00104	Junction	1



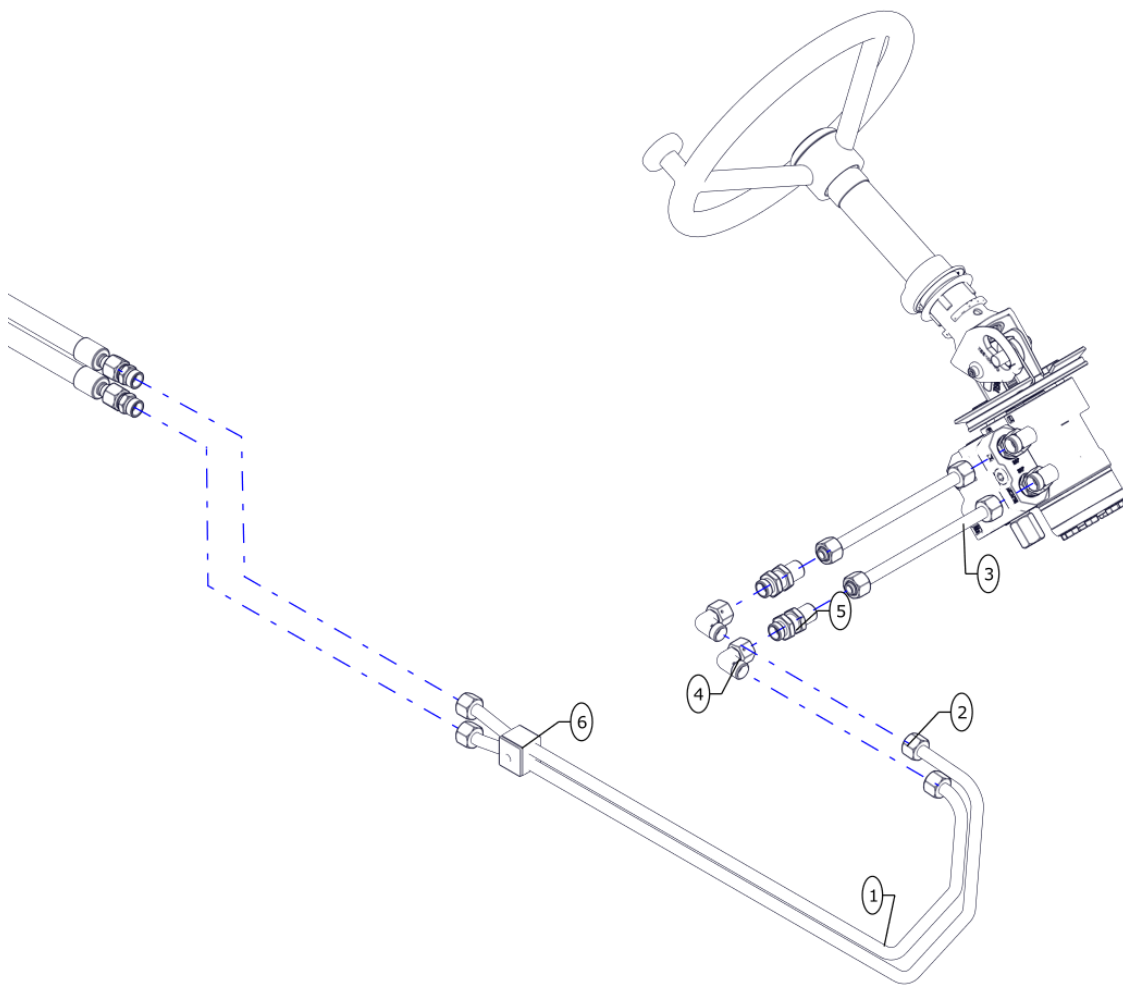
Tab.11

<b>ID</b>	<b>Code</b>	<b>Description</b>	<b>Q.ty</b>
1	A-AGLE-103-00067	Rigid pipe	1
2	A-AGLE-103-00079	Rigid pipe	1
3	C-OLEO-RAC-00671	Junction	2
4	C-OLEO-RAC-00041	Junction	1
5	C-OLEO-RAC-00053	Junction	1
6	C-ECOL-STA-00011	Bracket	1



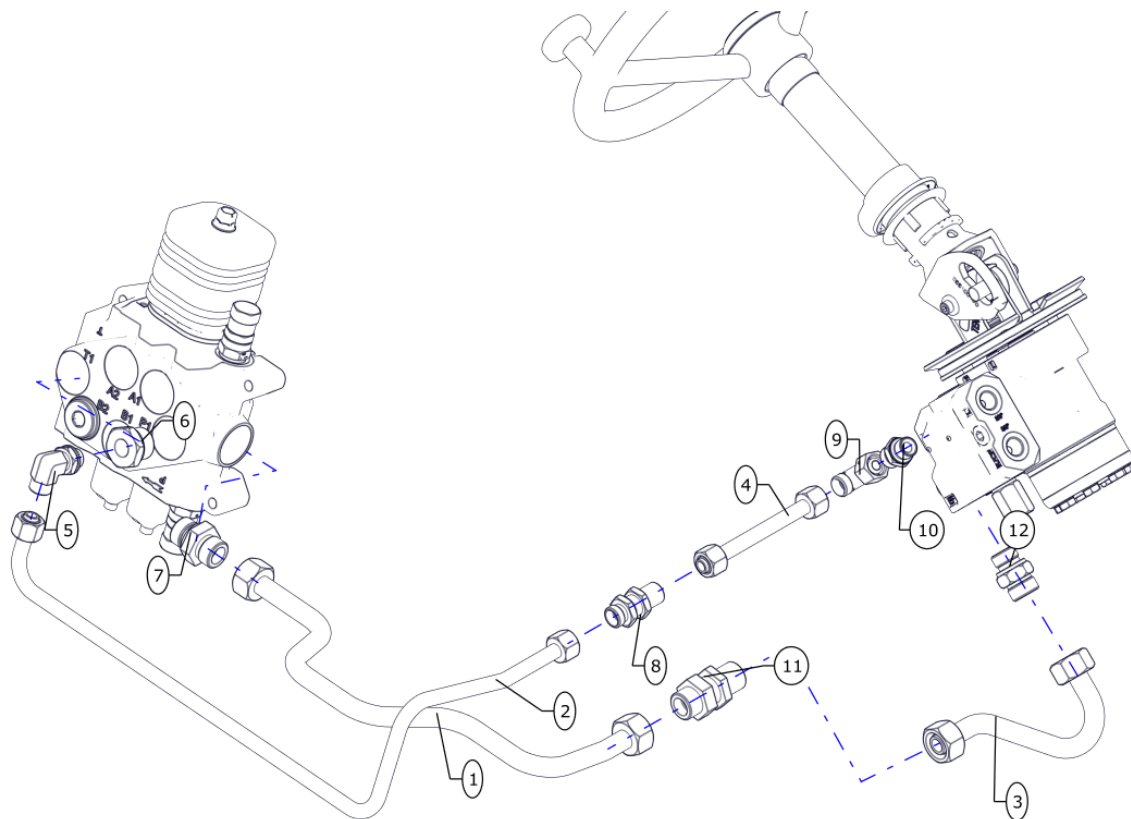
Tab.12

<b>ID</b>	<b>Code</b>	<b>Description</b>	<b>Q.ty</b>
1	A-AGLE-102-00062	Hose	2
2	C-OLEO-RAC-00037	Junction	2
3	C-OLEO-RAC-00185	Junction	2
4	A-AGLE-030-00012	Junction	2
5	C-OLEO-RAC-00401	Junction	2



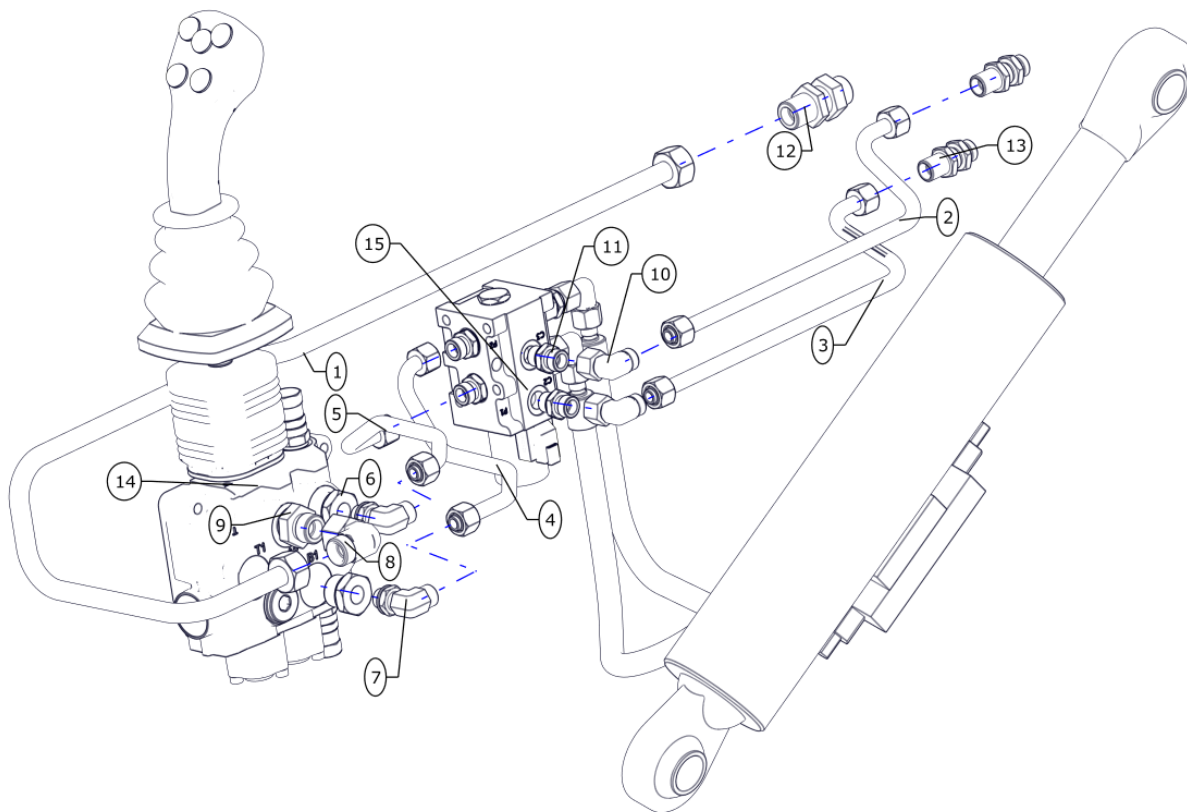
Tab.13

<b>ID</b>	<b>Code</b>	<b>Description</b>	<b>Q.ty</b>
1	A-AGLE-103-00077	Rigid pipe	1
2	A-AGLE-103-00078	Rigid pipe	1
3	A-AGLE-103-00066	Rigid pipe	2
4	C-OLEO-RAC-00621	Junction	4
5	C-OLEO-RAC-00001	Junction	2
6	C-ECOL-STA-00016	Bracket	1



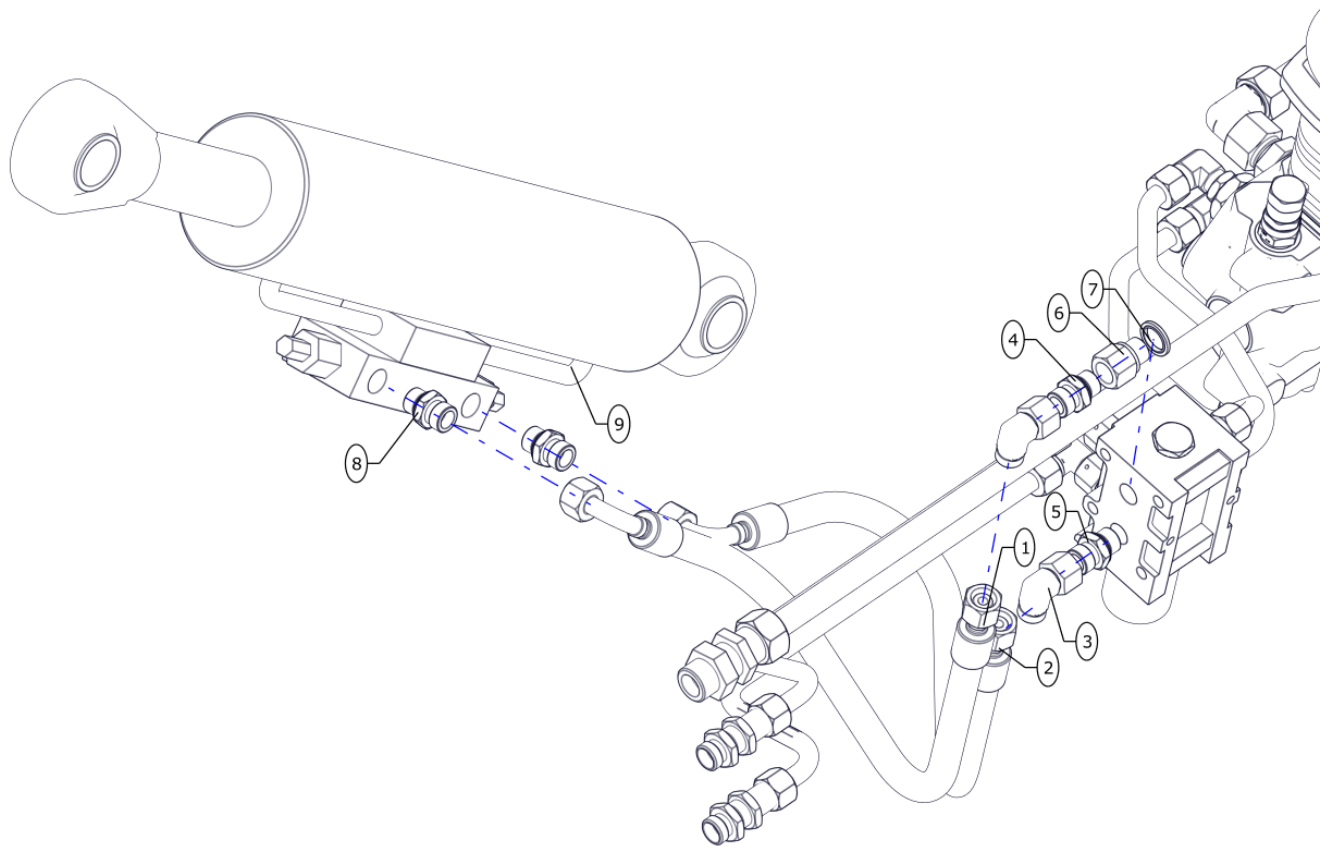
Tab.14

<b>ID</b>	<b>Code</b>	<b>Description</b>	<b>Q.ty</b>
1	A-AGLE-103-00069	Rigid pipe	1
2	A-AGLE-103-00070	Rigid pipe	1
3	A-AGLE-103-00068	Rigid pipe	1
4	A-AGLE-103-00066	Rigid pipe	1
5	C-OLEO-RAC-00078	Junction	1
6	C-OLEO-RAC-00180	Junction	1
7	C-OLEO-RAC-00196	Junction	1
8	C-OLEO-RAC-00001	Junction	1
9	C-OLEO-RAC-00621	Junction	1
10	C-OLEO-RAC-00037	Junction	1
11	C-OLEO-RAC-00053	Junction	1
12	C-OLEO-RAC-00041	Junction	1



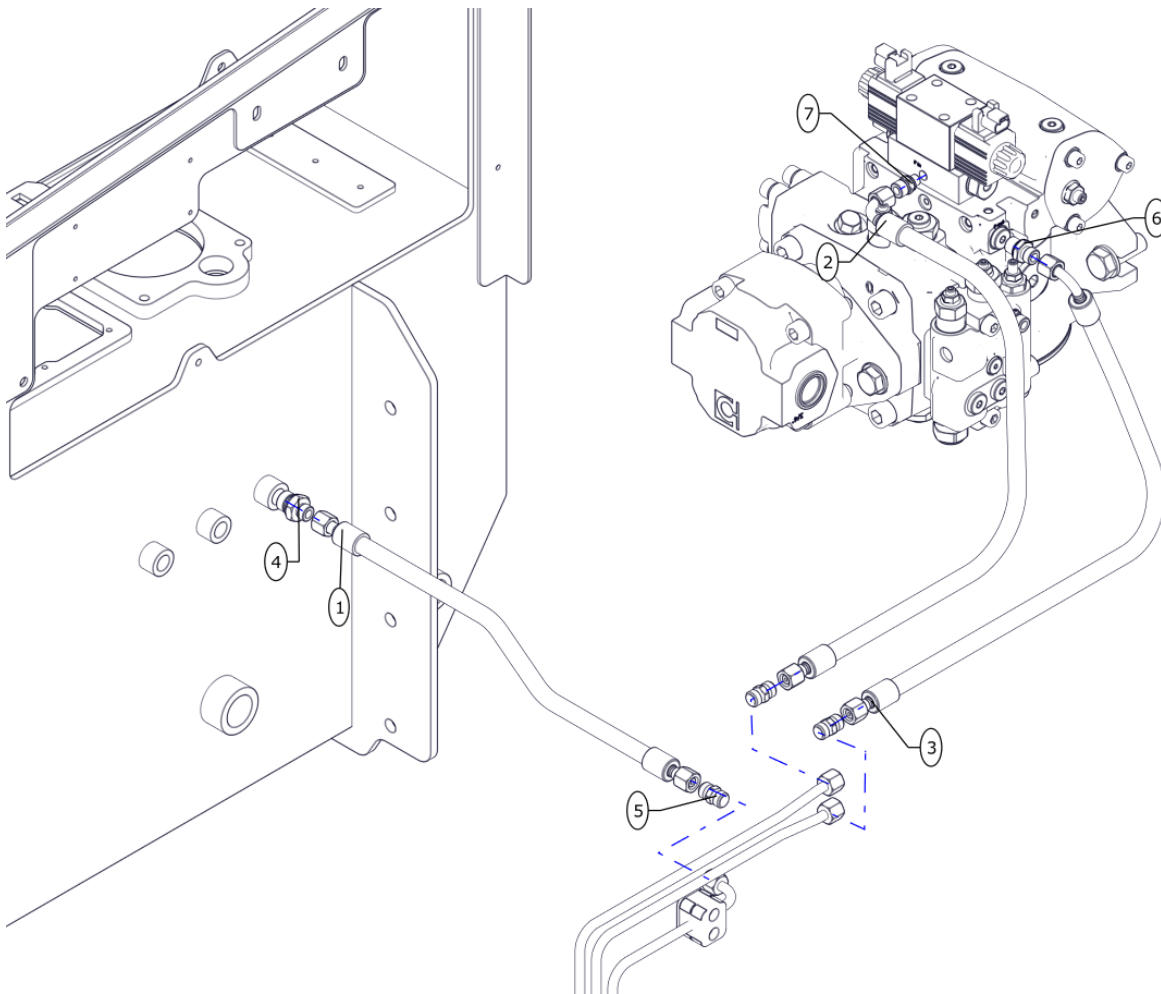
Tab.15

<b>ID</b>	<b>Code</b>	<b>Description</b>	<b>Q.ty</b>
1	A-AGLE-103-00073	Rigid pipe	1
2	A-AGLE-103-00072	Rigid pipe	1
3	A-AGLE-103-00071	Rigid pipe	1
4	A-AGLE-103-00064	Rigid pipe	1
5	A-AGLE-103-00065	Rigid pipe	1
6	C-OLEO-RAC-00180	Junction	2
7	C-OLEO-RAC-00078	Junction	2
8	C-OLEO-RAC-00671	Junction	1
9	C-OLEO-RAC-00196	Junction	1
10	C-OLEO-RAC-00621	Junction	2
11	C-OLEO-RAC-00037	Junction	4
12	C-OLEO-RAC-00053	Junction	1
13	C-OLEO-RAC-00001	Junction	2
14	C-OLEO-DIS-00003	Hydraulic distributor	1
15	C-OLEO-VAL-00119	Flow deviator	1



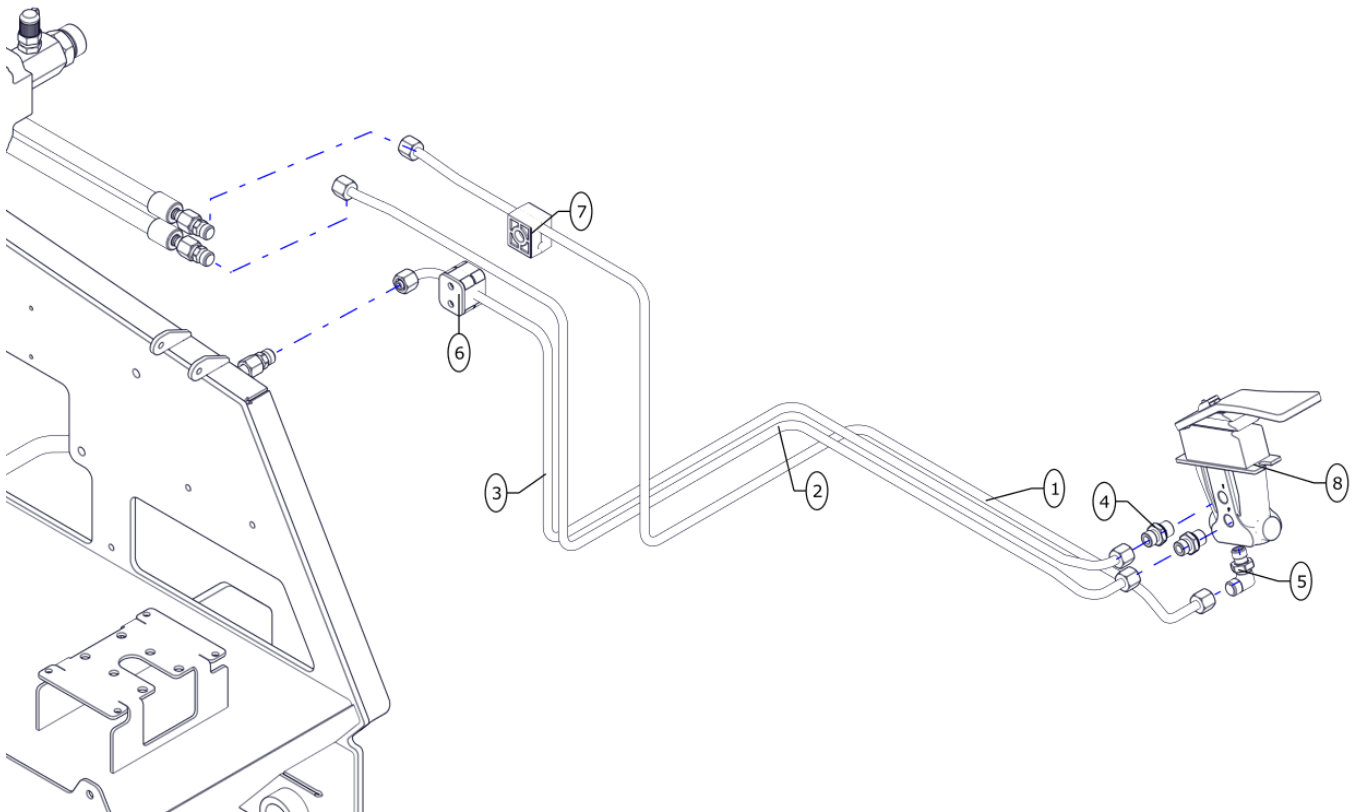
Tab.16

<b>ID</b>	<b>Code</b>	<b>Description</b>	<b>Q.ty</b>
1	A-AGLE-102-00064	Hose	1
2	A-AGLE-102-00063	Hose	1
3	C-OLEO-RAC-00621	Junction	2
4	C-OLEO-RAC-00037	Junction	1
5	C-OLEO-RAC-00037	Junction	1
6	C-OLEO-RAC-00110	Junction	1
7	C-OLEO-RAC-00103	Junction	1
8	C-OLEO-RAC-00037	Junction	2
9	C-OLEO-CIL-00008	Cylinder	1



Tab.17

<b>ID</b>	<b>Code</b>	<b>Description</b>	<b>Q.ty</b>
1	A-AGLE-102-00061	Hose	1
2	A-AGLE-102-00060	Hose	1
3	A-AGLE-102-00059	Hose	1
4	C-OLEO-RAC-00035	Junction	1
5	C-OLEO-RAC-00655	Junction	3
6	C-OLEO-RAC-00036	Junction	1
7	C-OLEO-RAC-00033	Junction	1



Tab.18

<b>ID</b>	<b>Code</b>	<b>Description</b>	<b>Q.ty</b>
1	A-AGLE-103-00076	Rigid pipe	1
2	A-AGLE-103-00075	Rigid pipe	1
3	A-AGLE-103-00074	Rigid pipe	1
4	C-OLEO-RAC-00036	Junction	2
5	C-OLEO-RAC-00605	Junction	1
6	C-ECOL-STA-00008	Bracket	1
7	C-ECOL-STA-00007	Bracket	1
8	C-OLEO-SVC-00006	Inching pedal group	1