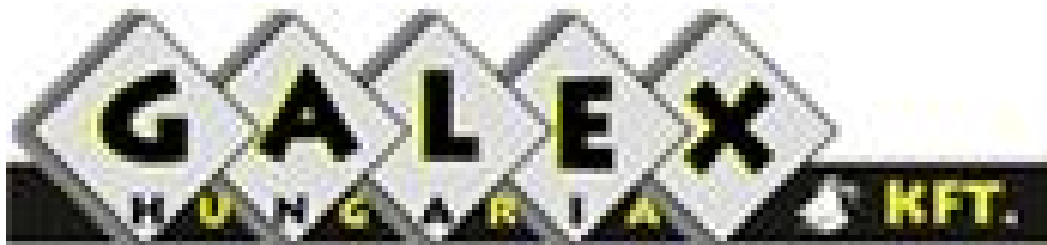


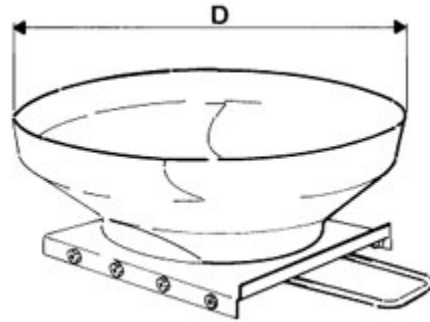


25010 ISORELLA Brescia – Italy  
Via Dell'Industria ,105  
Tel. 030 / 9958531 Telefax 030 / 9958265  
[www.ctscalvinsilos.it](http://www.ctscalvinsilos.it) [info@ctscalvinsilos.it](mailto:info@ctscalvinsilos.it)

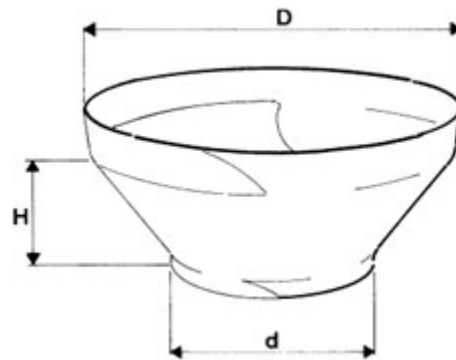
## SILOS BOTTOMS and accessories for silos



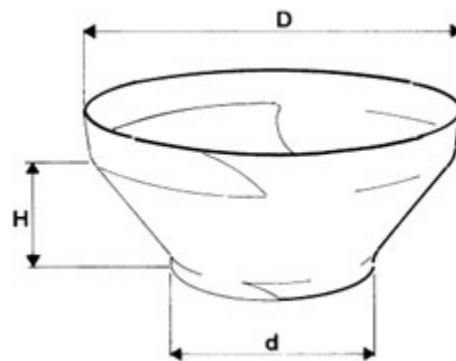
# BOTTOM CONES FOR SILOS



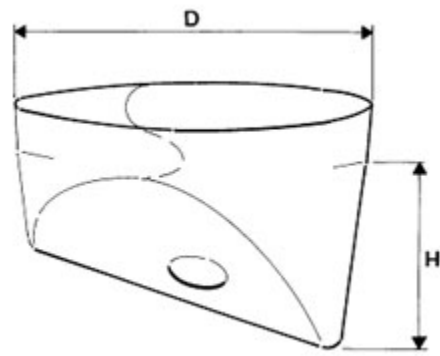
Code **C1** Sliding gate drawer type. D:780mm H:190mm



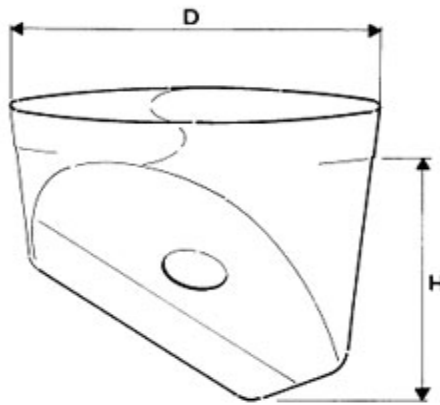
Code **C2A** Bottom reduction for automatic distribution system.  
D:780mm d:540mm H:230mm



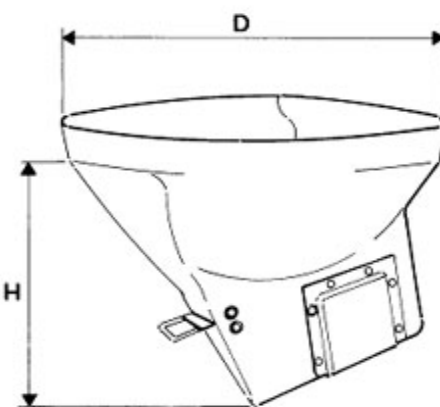
Code **C2B** Bottom reduction for automatic distribution system.  
D:780mm d:440mm H:270mm



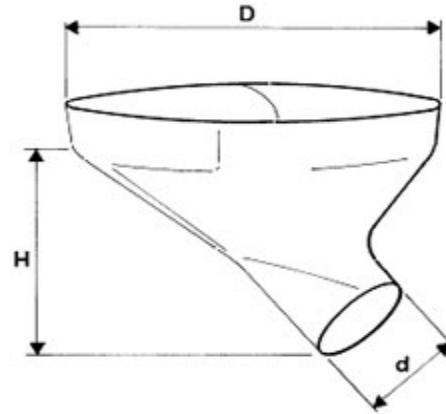
Code **C3** Silos well. Unloading using a screw conv. at an inclination of 20°  
D:780mm H:600mm



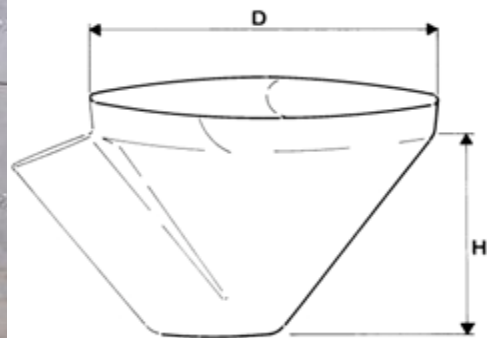
Code **C4** Silos well. Unloading using a screw conv. at an inclination of 30°  
D:780mm H:730mm



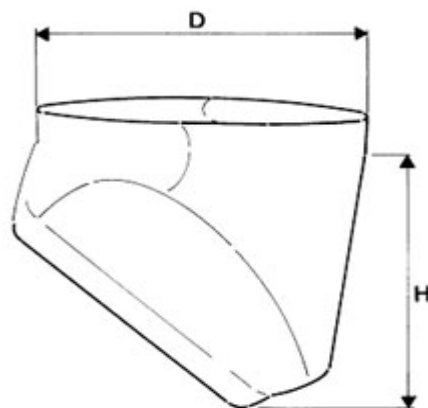
Code **C5** Silos well. Unloading using a flexible screw conv. inclination of 20°  
with shutter for feed. D:780mm H:700mm



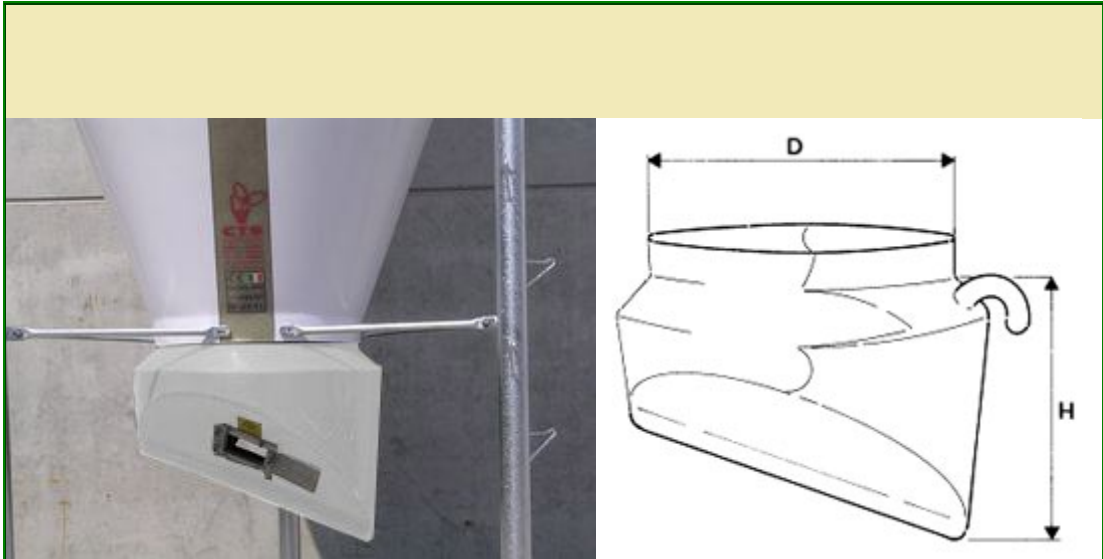
Code **C6** Silos well for gravity unloading suitable for **d:200-250-315mm** tubes  
D:780mm H:450mm



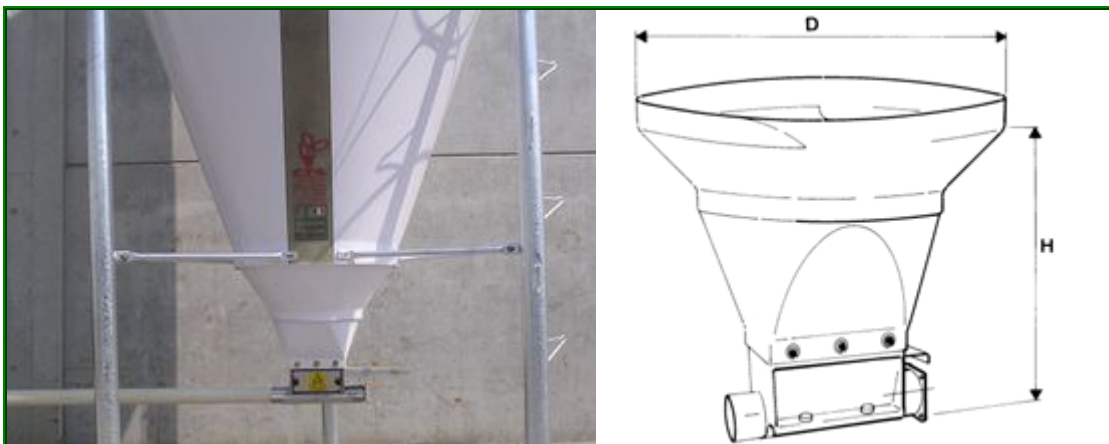
Code **C8** Silos well. Unloading using a screw conv. at an inclination of  $60^\circ$   
D:780mm H:650mm



Code **C9** Silos well. Unloading using a screw conv. inclination of  $40^\circ - 50^\circ$   
D:780mm H:800mm

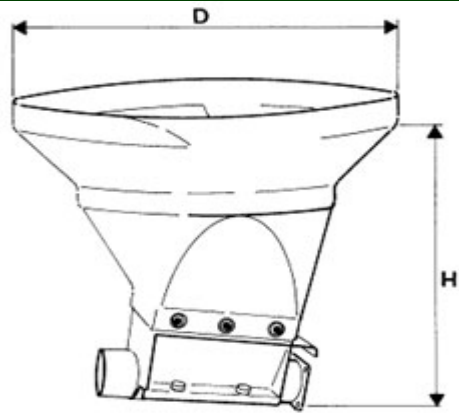


Code **C10** Silos well. Unloading using a screw conv. with large diam. and breather curve. D:780mm H:850mm

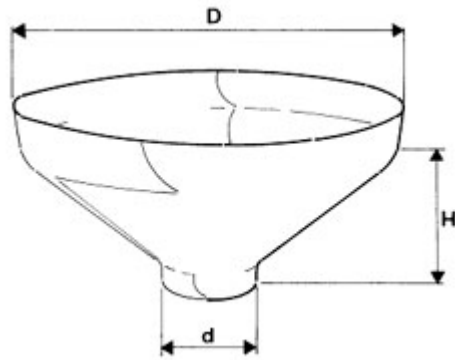


Code **C11** Bottom reduction with horizontal shutter. D:780mm H: ~ 530mm

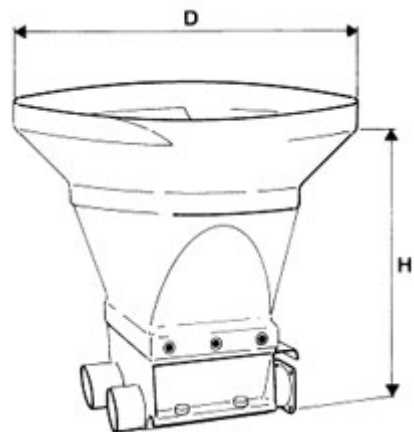
**78/44 mod.C2**  
**Reduction from round to rectangle**  
**Pivot and Bearing**  
**Stainless Steel INOX hopper**



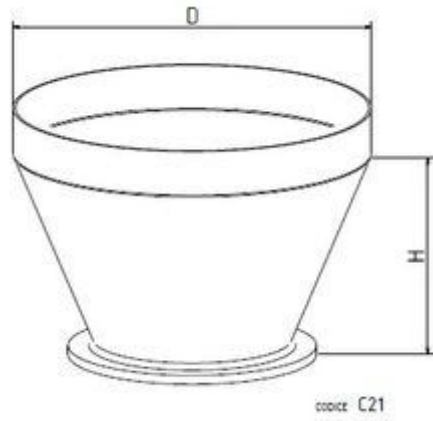
Code **C12** Bottom reduction with shutter at an inclination of 20°  
D:780mm H: ~ 535mm



Code **C13** Bottom reduction cm 78/20  
D:780mm d:200mm H:300mm



Code **C16** Bottom reduction with horizontal double shutter.  
D:780mm H: ~ 580mm  
**(PIVOT and BEARING Included in the price)**



Code **C21** Bottom reduction with angle.  
D:780mm H:350mm



CODE **C23** Bottom reduction cm 78/20  
D:780mm d:200mm H:600mm



Code **C24** Bottom reduction cm 78/30  
D:780mm d: 300 H:600



Silos UMBRELLA Diam. 44

