

# Parts Catalog

Section 01 Pag.5

- Frame

Section 02 Pag.28

- Cabin

Section 03 Pag.47

- Main tunnel

Section 04 Pag.55

- Box

Section 05 Pag.70

- Hydraulic circuit

## Serial nr.

P-1594-000-000-01

P-1594-000-000-02

P-1594-000-000-03

P-1594-000-000-04

## Ciommecalabria srl

Viale S. Pertini, 86, 25046

Cazzago S. Martino (BS) – Italy

Phone: (0039) 030-7254118

Fax: (0039) 030-7759992

Website: [www.cmcindustries.com](http://www.cmcindustries.com)

**Subject:** Technical Manual, Serial Number, and Warranty

**Dear Customer,**

Congratulations and thank you for purchasing one of our CMC products.

The purpose of this Technical Manual / Parts Manual is to allow an easy code identification of the components of the machinery purchased by you, and to provide immediate assistance handling your questions or requests in the best way possible.

Each Technical Manual has a serial number, this number matches also with the "Serial Number" that identifies your new machinery. You can easily find the "Serial Number" on the machine by the identification plate, as shown on the picture below.



Please keep your "Serial Number" and Technical Manual always close with you when communicating with CMC, in case you have any doubts or requests.

Along with this paper version there is available a **full copy in electronic format (CD)**. On this CD, in addition to our CMC Technical Manual, you will find many other detailed information about commercial components and spare parts not listed in the printed manual, for example:

- engine components
- seal kits for hydraulic components
- hydrostatic pumps components
- and many others

If necessary, we kindly ask you to consult the digital version, and for quotations requests relating to spare parts, to use the model MOD D 82 that you can find in the paper manual and in the CD.

Once completed, please fax it to +39 030 77 59 992 or by mail to:

[A.sierchio@cmcindustries.com](mailto:A.sierchio@cmcindustries.com)

[S.dosselli@cmcindustries.com](mailto:S.dosselli@cmcindustries.com)

As for the "Warranty", we ask you to consult our Warranty Conditions attached to the owner's manual. Please remember never to tamper (open, disassemble, etc) with any part of the machine when you want to apply for Warranty Recognition, unless you have received explicit instruction from CMC to do otherwise.

We thank you for your kind cooperation and remain at your disposal for any further information.

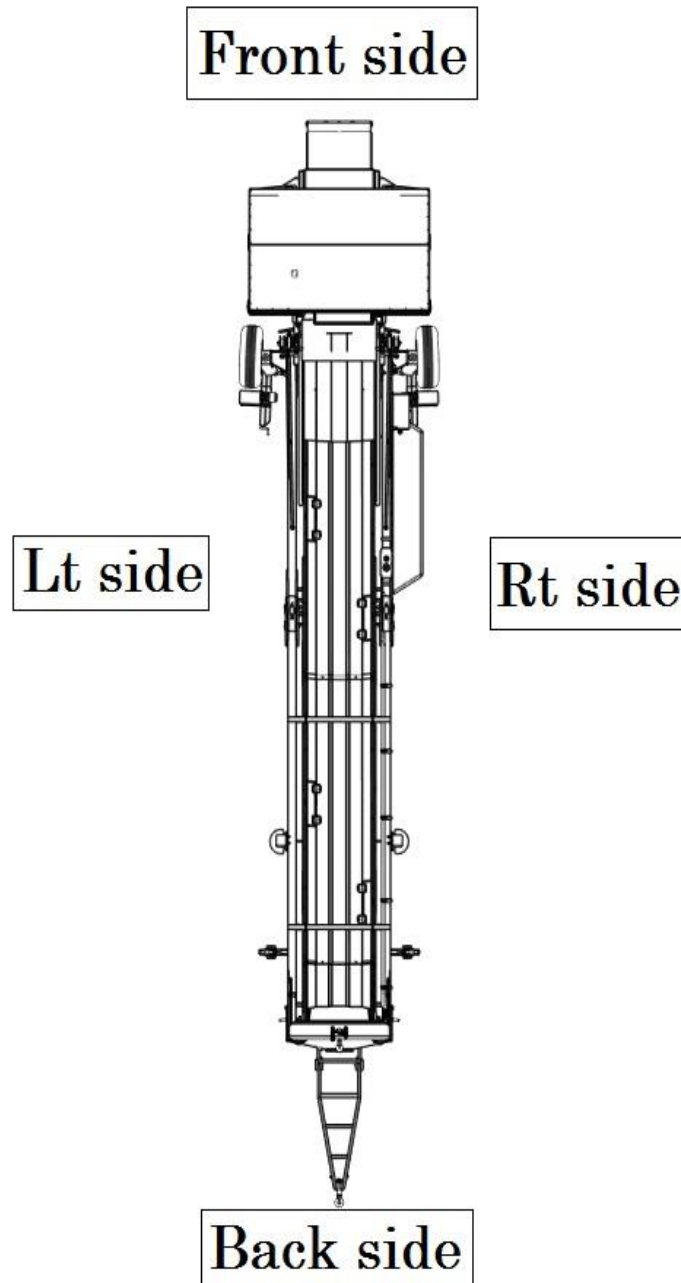
Best regards,

Eng. Andrea Sierchio

Customer Service Manager

CMC Industries

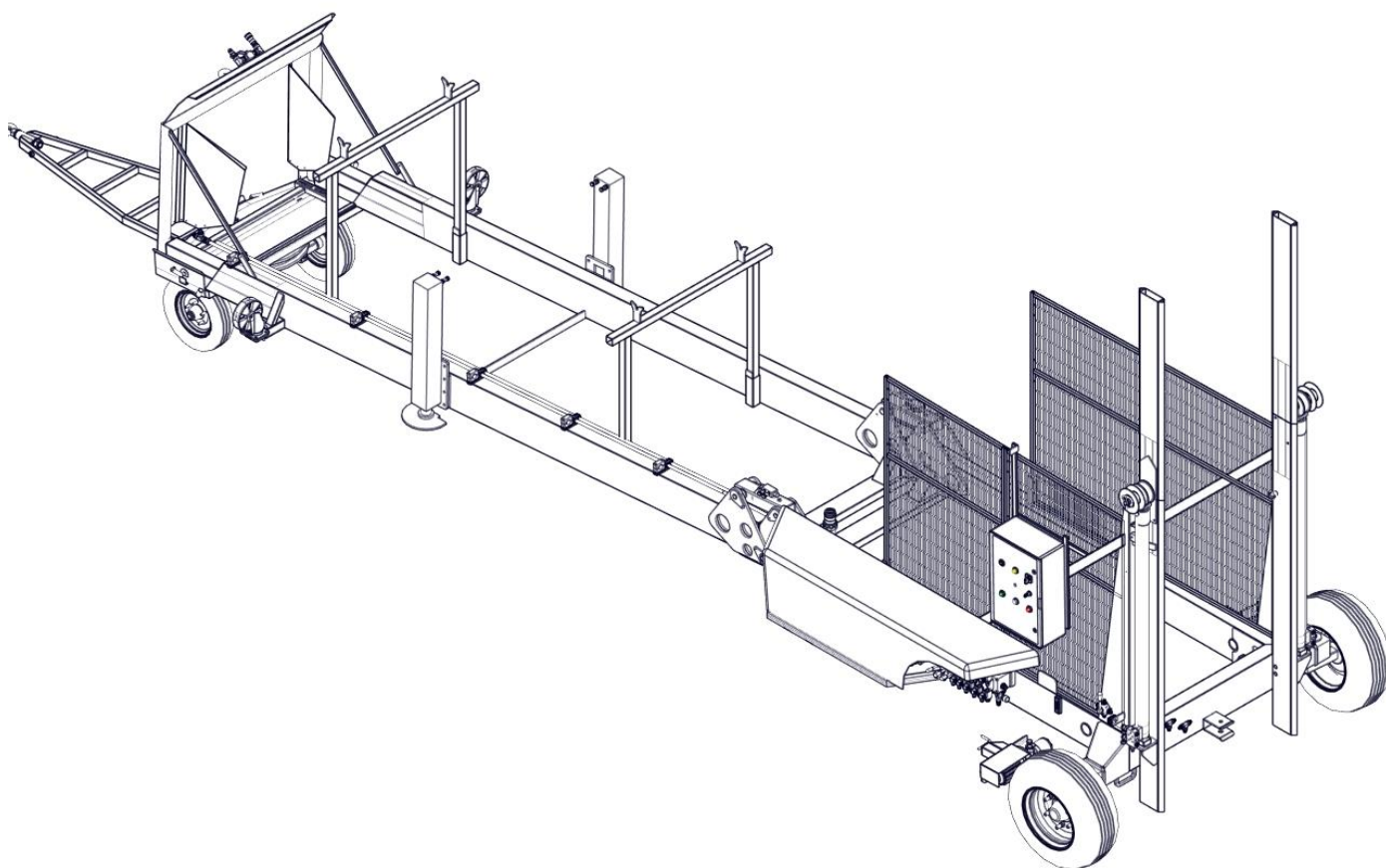


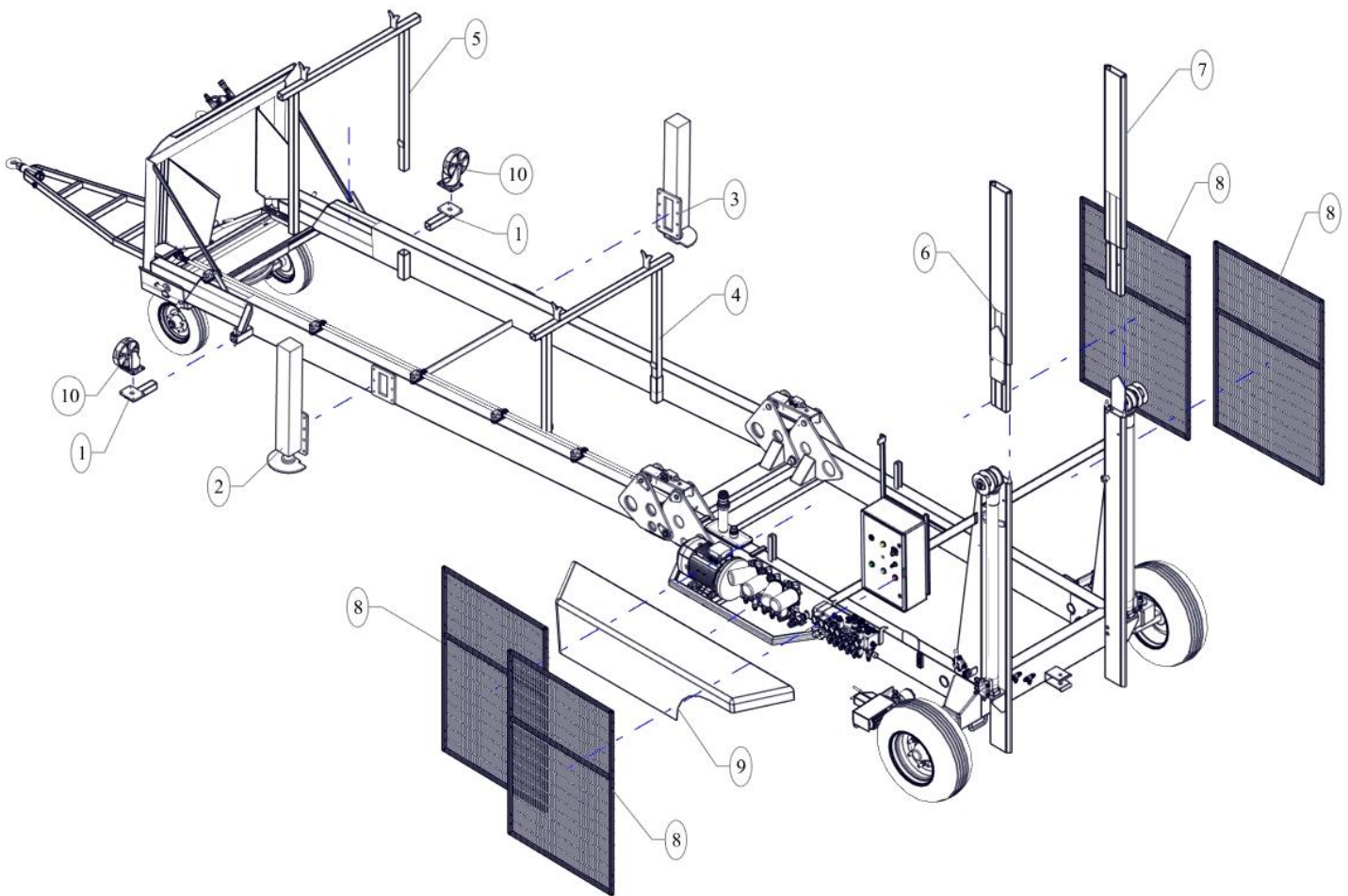


## Section 01

- Frame

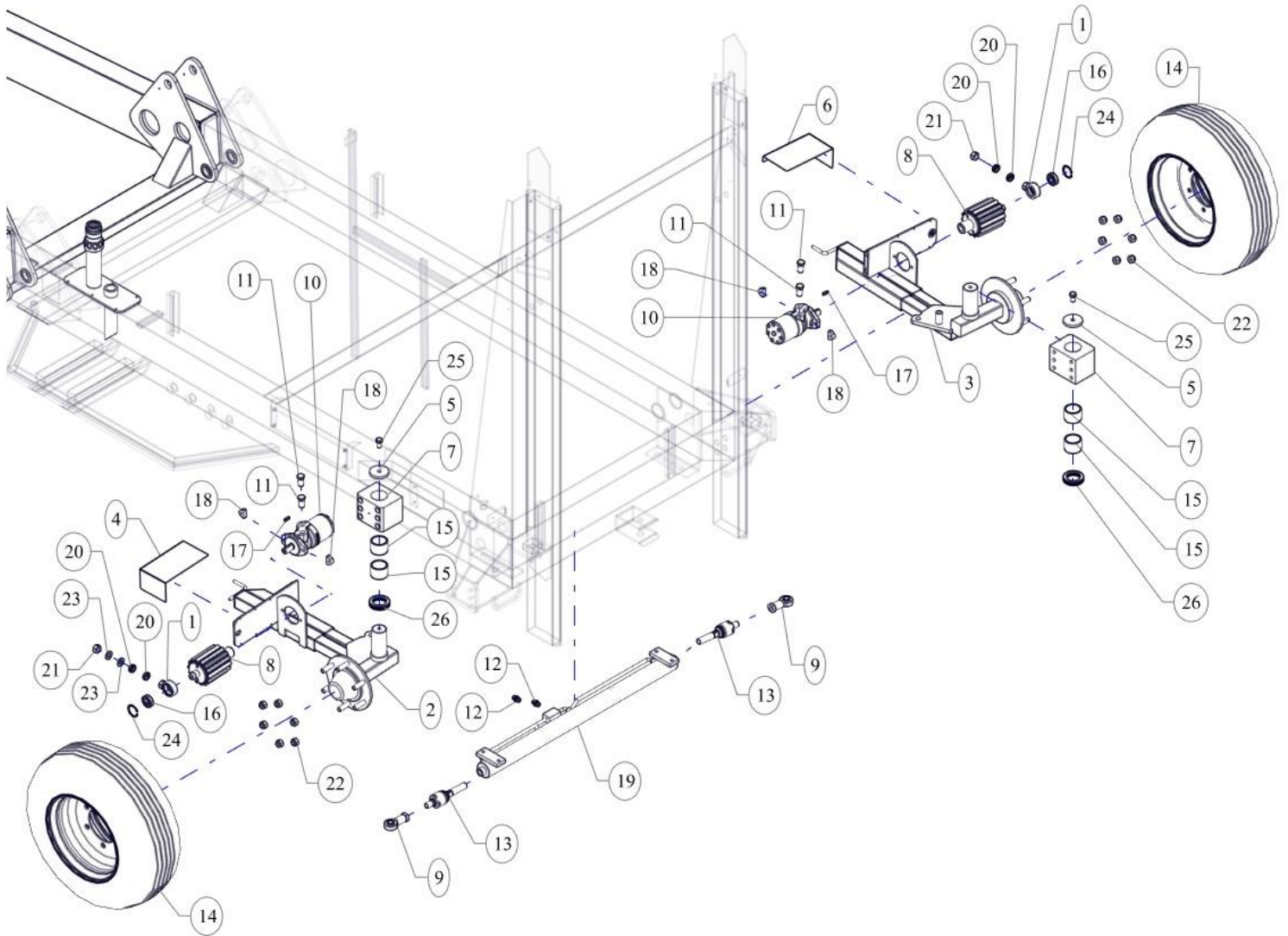
- Frame assembly \_\_\_\_\_ Pag.6
- Steering system \_\_\_\_\_ Pag.8
- Lifting system \_\_\_\_\_ Pag.10
- Hydraulic block \_\_\_\_\_ Pag.12
- Pump and El. Motor \_\_\_\_\_ Pag.16
- Electric box \_\_\_\_\_ Pag.20
- Articulation system \_\_\_\_\_ Pag.24
- Towing kit \_\_\_\_\_ Pag.26





Tab.01

ID	Code	Description	Q.ty
1	A-TA80-010-00035	Welded assembly	2
2	A-TA80-010-00037	Welded assembly	1
3	A-TA80-010-00038	Welded assembly	1
4	A-TA80-010-00040	Welded assembly	1
5	A-TA80-010-00041	Welded assembly	1
6	A-TA80-010-00044	Welded assembly	1
7	A-TA80-010-00045	Welded assembly	1
8	A-TA80-010-00056	Protective guard	4
9	A-TA80-150-00002	Hood	1
10	C-RMOP-ROT-00018	Wheel	2



Tab.02

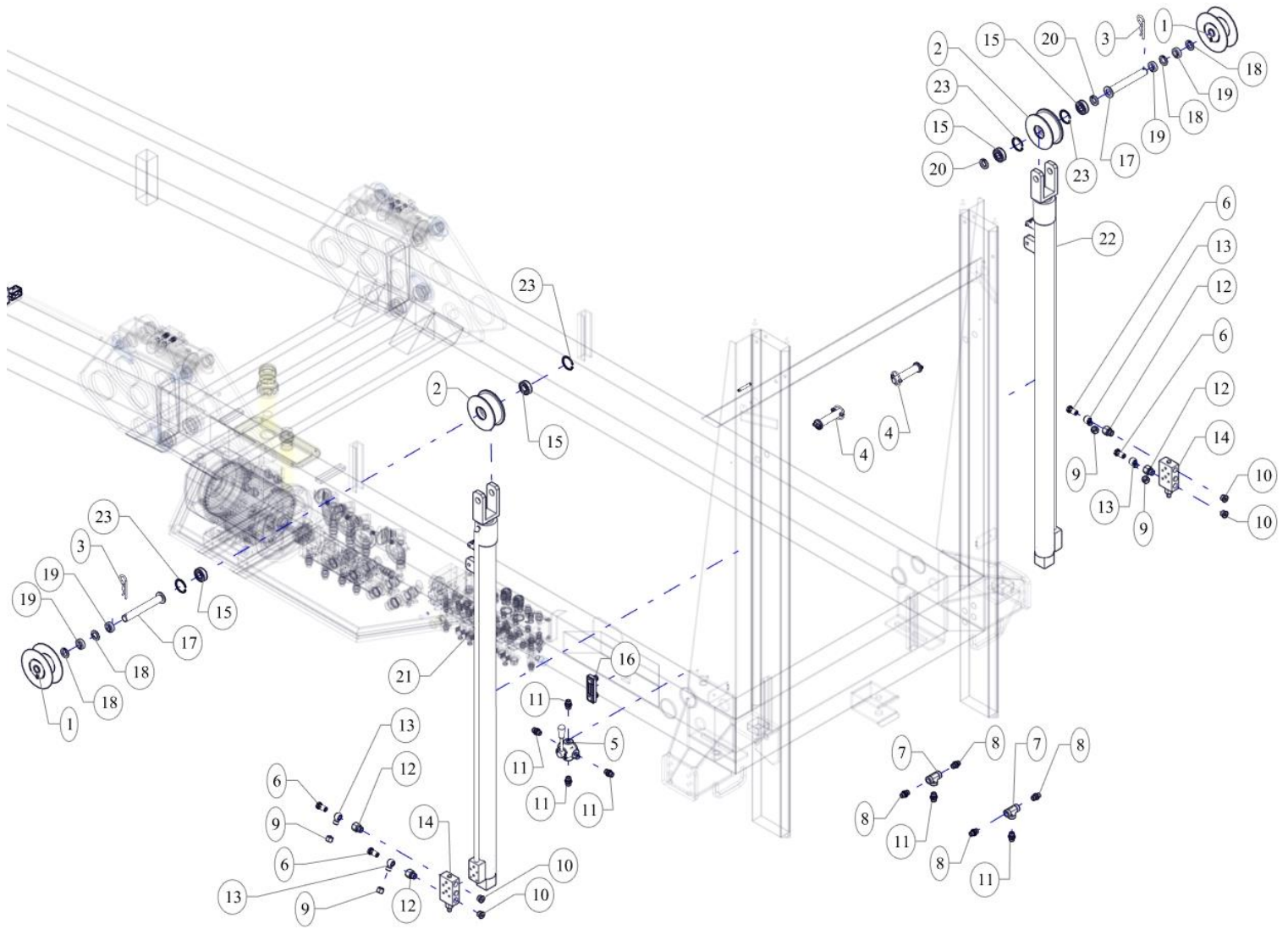
ID	Code	Description	Q.ty
1	A-TA80-010-00020	Welded assembly	2
2	A-TA80-010-00033	Welded assembly	1
3	A-TA80-010-00034	Welded assembly	1
4	A-TA80-020-00064	Cover	1
5	A-TA80-020-00071	Plate	2
6	A-TA80-020-00117	Cover	1
7	A-TA80-030-00001	Support	2
8	A-TA80-050-00007	Towing roller	2
9	C-ECOL-SND-00006	Articulation	2
10	C-MOTO-OLE-00006	Hydraulic motor	2

Q.ty for one code C-MOTO-OLE-00006			
ID	Code	Description	Q.ty
10.1	C-ETNA-GUR-00014	Seals kit	1

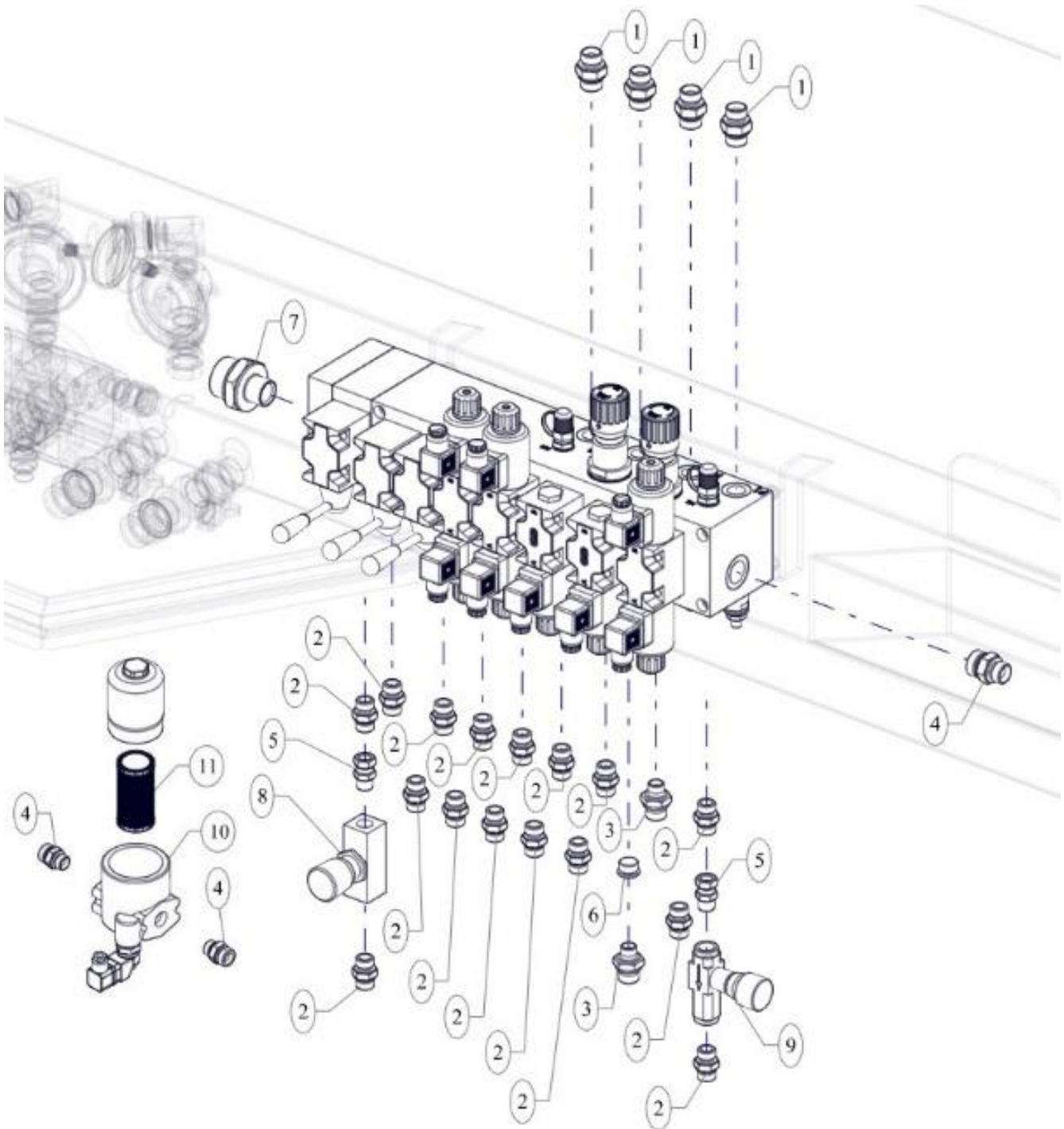
  

11	C-OLEO-RAC-00016	Junction	4
12	C-OLEO-RAC-00152	Junction	2
13	C-RMOP-ASS-00011	Axle	2
14	C-RMOP-ROT-00015	Wheel	2
15	C-SCOR-BRO-00020	Bronze bushing	4
16	C-SCOR-CUS-00017	Bearing	2
17	C-TRAM-LNG-00004	Key	2
18	G-0000-020-00030	Plate	4
19	G-0000-100-00014	Cylinder	1
20	Z-DADO-BA0-00004	Nut	4
21	Z-DADO-MD0-00002	Nut	2
22	Z-DADO-MD0-00025	Nut	12
23	Z-ROND-PIA-00004	Washer	2
24	Z-SEEG-INT-00005	Seeger	2
25	Z-VITE-TE0-00050	Screw	2
26	C-SCOR-CUA-00001	Bearing	2



**Tab.03**

ID	Code	Description	Q.ty
1	A-TA80-010-00019	Wheel	2
2	A-TA80-030-00006	Wheel	2
→ <b>Q.ty for one code A-TA80-030-00006</b>			
ID	Code	Description	Q.ty
2.1	C-TRAM-CAT-00021	Chain	1
3	C-ECOL-COP-00005	Pin	2
4	C-ECOL-PER-00005	Pin	2
5	C-OLEO-DIS-00012	Flow deviator	1
6	C-OLEO-RAC-00014	Junction	4
7	C-OLEO-RAC-00026	"T" Junction	2
8	C-OLEO-RAC-00037	Junction	4
9	C-OLEO-RAC-00068	Junction	4
10	C-OLEO-RAC-00122	Cap	4
11	C-OLEO-RAC-00152	Junction	6
12	C-OLEO-RAC-00211	Junction	4
13	C-OLEO-RAC-00329	Junction	4
14	C-OLEO-VAL-00058	Valve	2
15	C-SCOR-CUS-00017	Bearing	4
16	C-SERB-OIL-00003	Oil thermometer	1
17	G-0000-010-00016	Pin	2
18	G-0000-020-00037	Spacer	4
19	G-0000-020-00038	Spacer	4
20	G-0000-020-00039	Spacer	2
21	G-0000-100-00011	Cylinder	1
22	G-0000-100-00013	Cylinder	1
23	Z-SEEG-INT-00005	Seeger	4

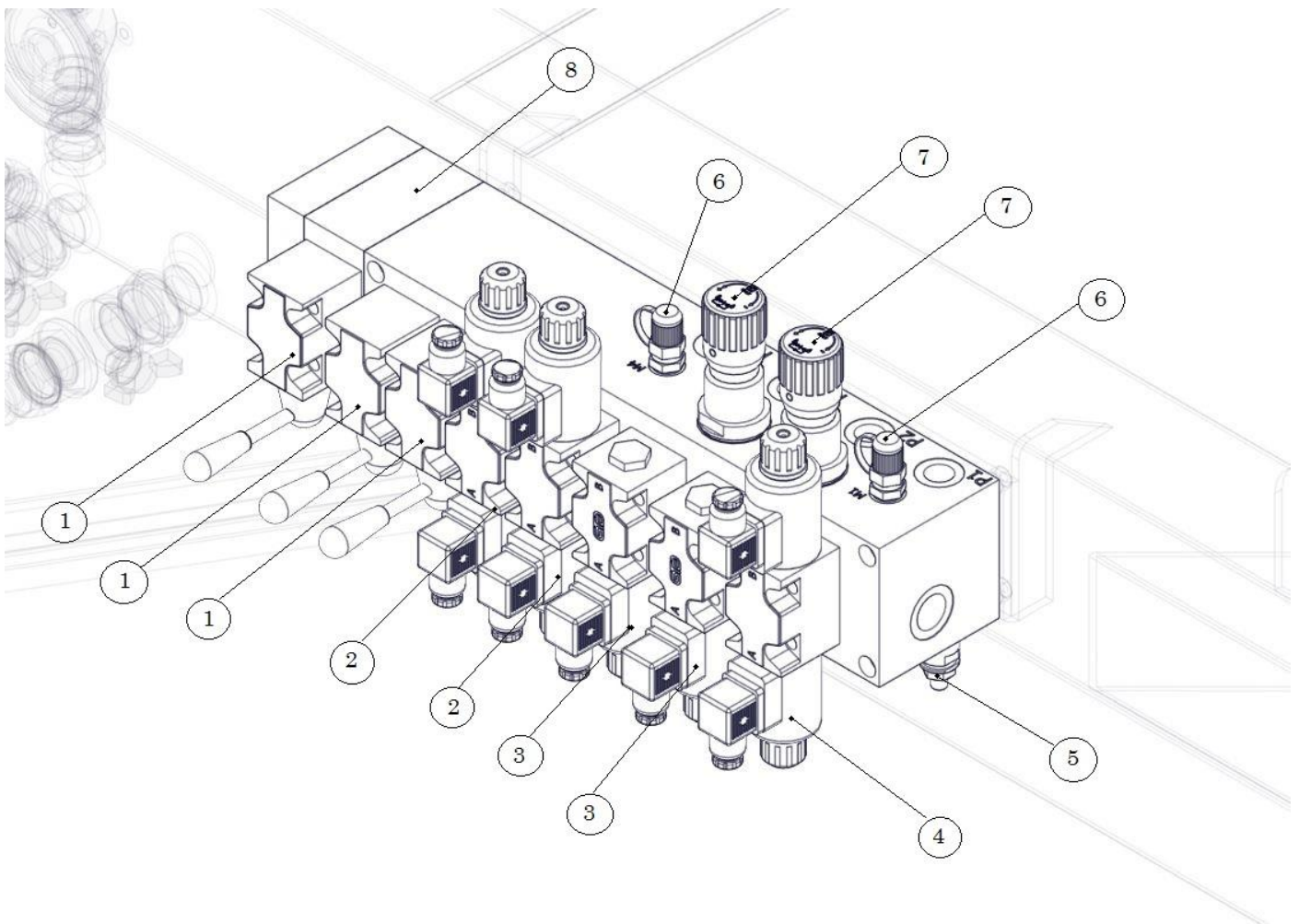


**Tab.04**

ID	Code	Description	Q.ty
1	C-OLEO-RAC-00156	Junction	4
2	C-OLEO-RAC-00152	Junction	16
3	C-OLEO-RAC-00153	Junction	2
4	C-OLEO-RAC-00157	Junction	3
5	C-OLEO-RAC-00236	Junction	2
6	C-OLEO-RAC-00401	Junction	1
7	C-OLEO-RAC-00462	Junction	1
8	C-OLEO-REG-00011	Regulation valve	1
9	C-OLEO-REG-00012	Regulation valve	1
10	C-FILT-OLI-00013	Complete high-press. filter	1

→ Q.ty for one cod.C-FILT-OLI-00013

ID	Code	Description	Q.ty
11	C-FILT-OLI-00014	Filter element	1



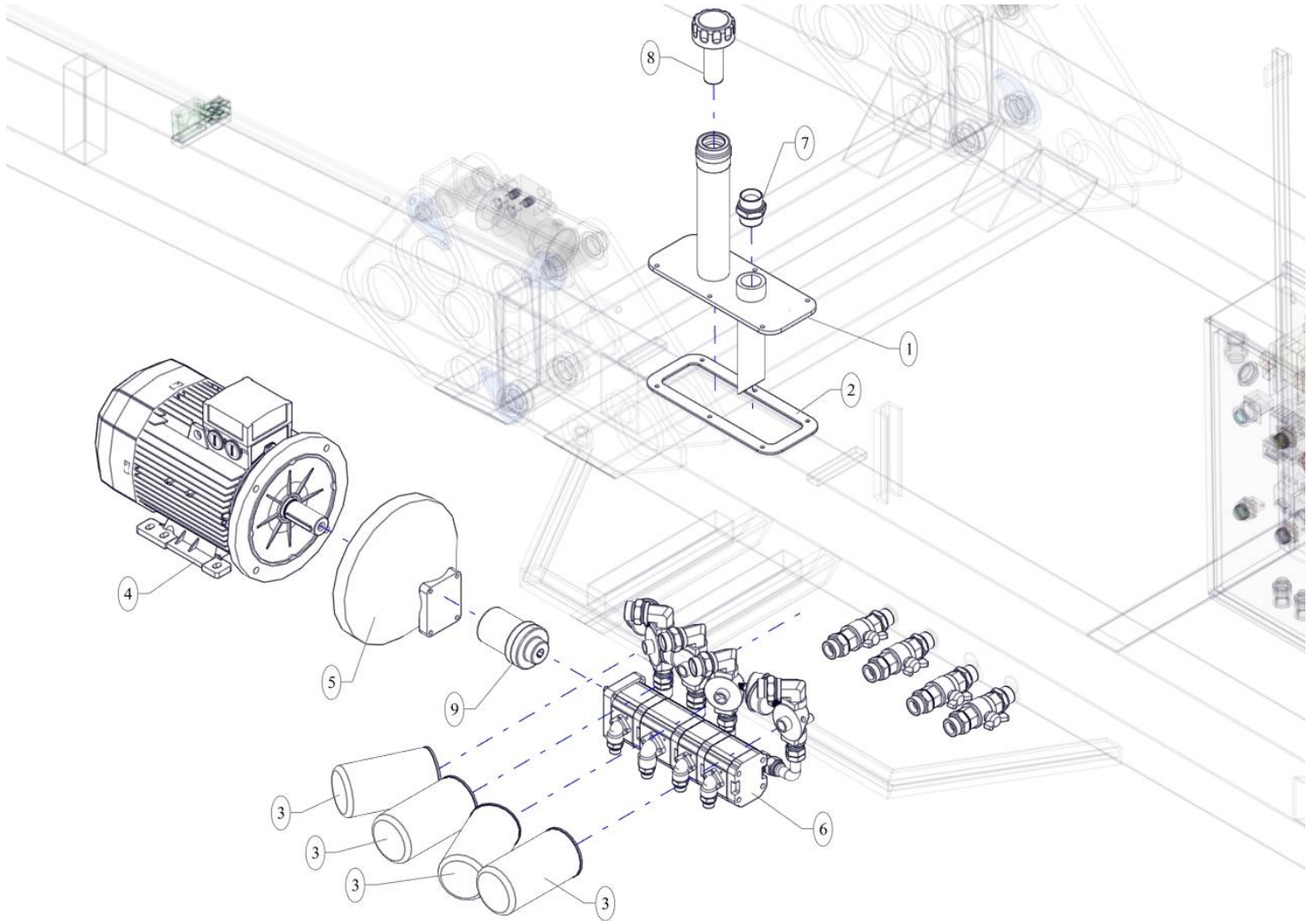
Tab.05

ID	Code	Description	Q.ty
1	C-OLEO-DIS-00010	Distr. with lever	3
2	C-OLEO-VAL-00039	Solenoid valve	2
3	C-OLEO-VAL-00041	Solenoid valve	2

→ In case of proportional valve → 1x C-OLEO-VAL-00041 is substituted by:

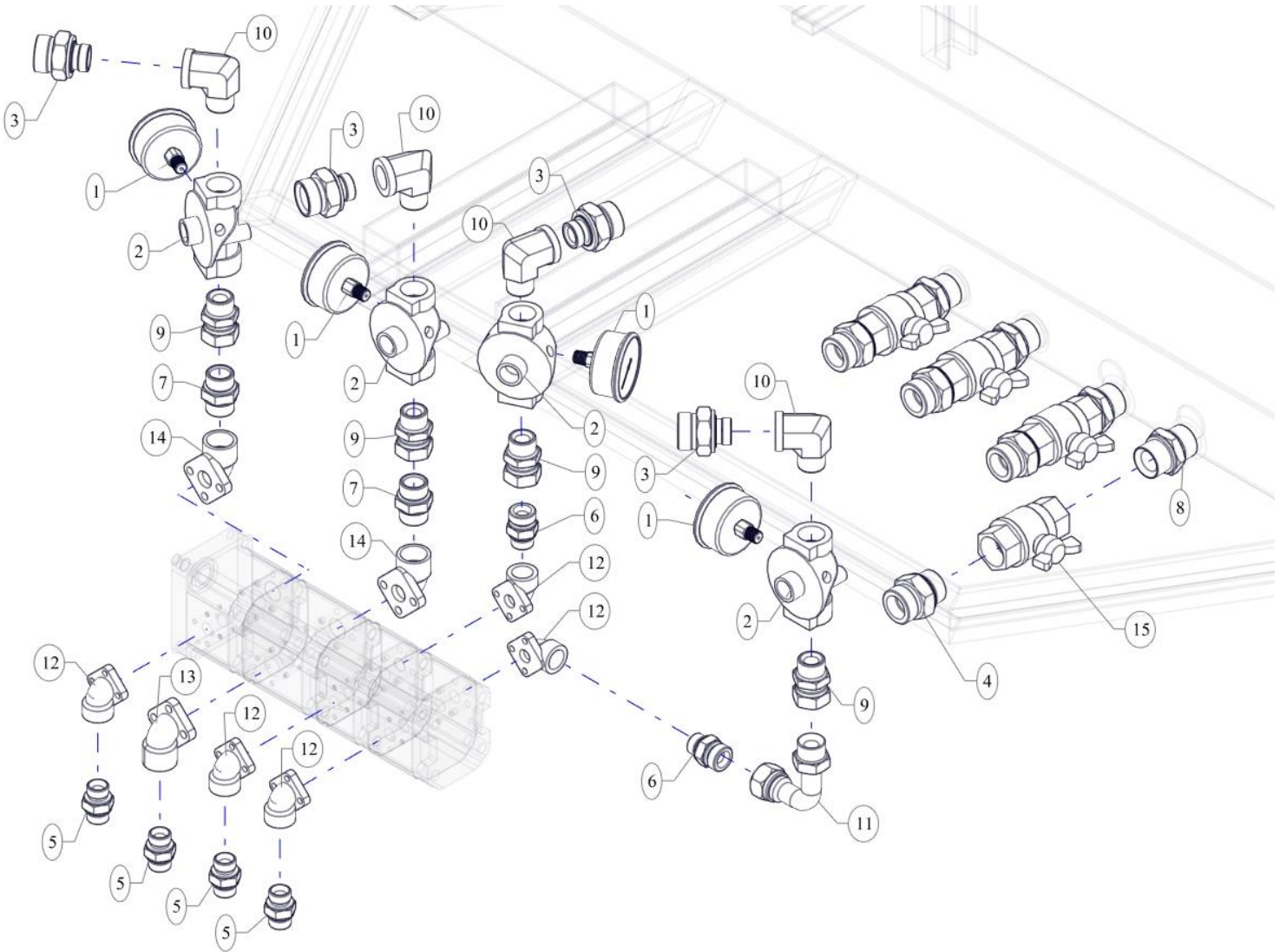
ID	Code	Description	Q.ty
3.1	C-OLEO-DIS-00017	Proportional distr.	1
3.2	C-OLEO-VAL-00053	Base for distributor	1

4	C-OLEO-VAL-00023	Solenoid valve	1
5	C-OLEO-VAL-00095	Max.Valve	4
6	C-OLEO-RAC-00356	Mini press. junction	4
7	C-OLEO-REG-00023	Regulator	2
8	C-OLEO-VAL-00020	Base	1
	<b>C-ELET-CON-00053</b>	<b>Cable + connector for solenoid valve</b>	<b>8</b>



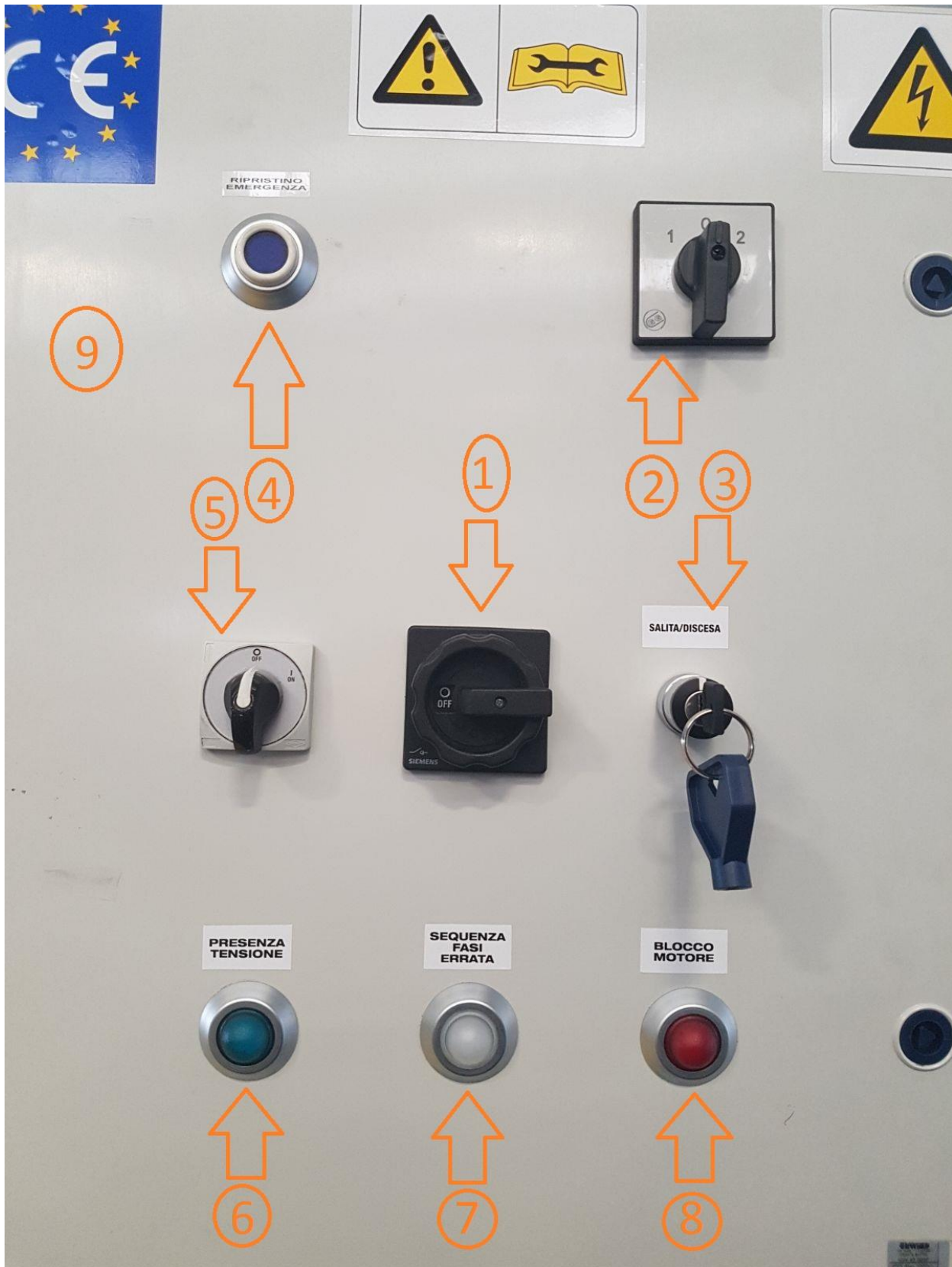
Tab.06

ID	Code	Description	Q.ty
1	A-TA80-010-00039	Welded assembly	1
2	A-TA80-031-00001	Seal	1
3	C-FILT-OLI-00009	Filter element	4
4	C-MOTO-ELE-00001	Electric motor	1
5	C-OLEO-LAN-00001	Bell housing	1
6	C-OLEO-POM-00016	Quadruple pump	1
7	C-OLEO-RAC-00140	Junction	1
8	C-SERB-GOL-00002	Cap	1
9	C-TRAM-GIU-00002	Coupling	1



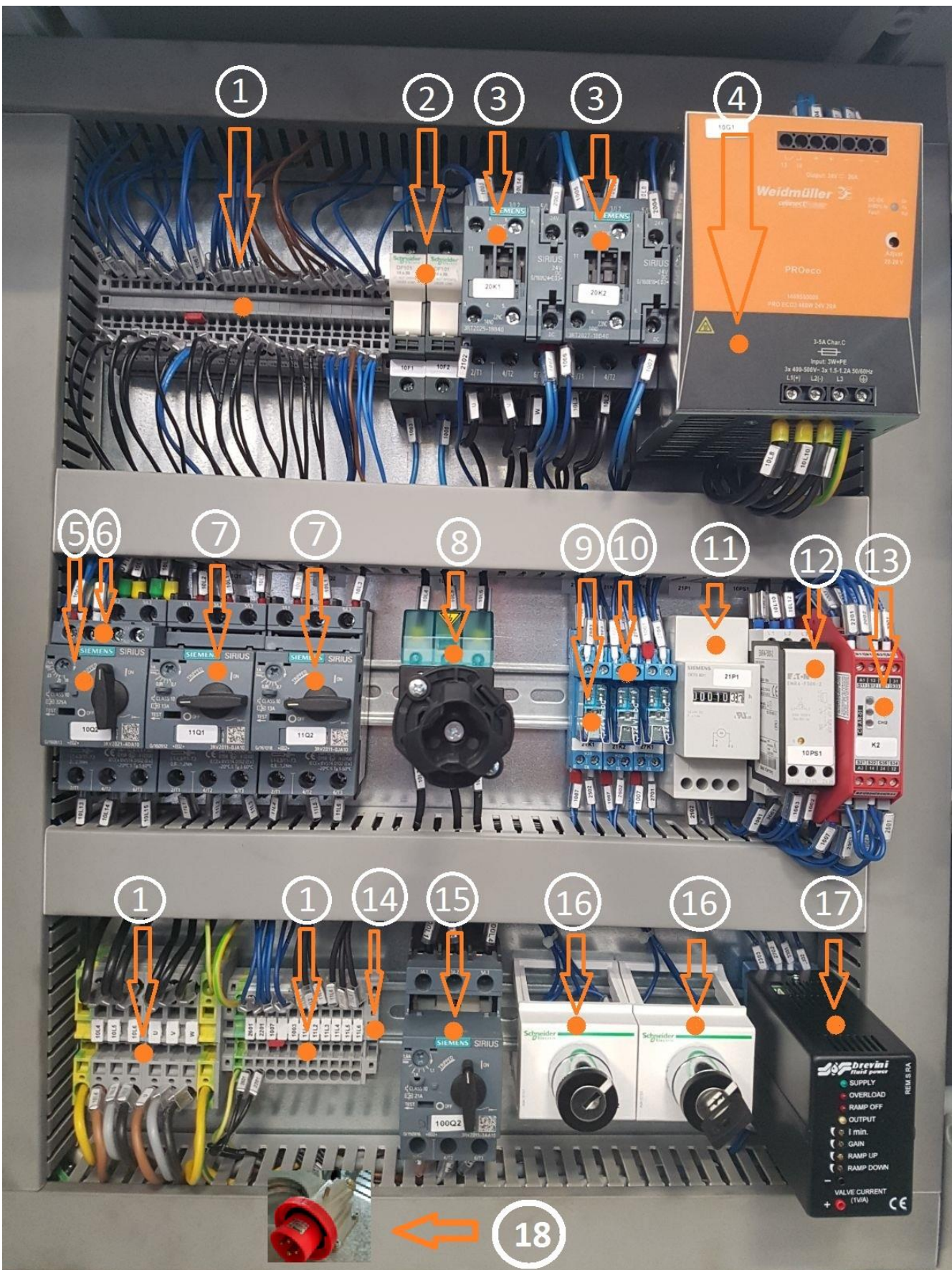
Tab.07

ID	Code	Description	Q.ty
1	2031-A	Manometer	4
2	C-FILT-OLI-00016	Filter head	4
3	C-OLEO-RAC-00046	Junction	4
4	C-OLEO-RAC-00047	Junction	4
5	C-OLEO-RAC-00156	Junction	4
6	C-OLEO-RAC-00157	Junction	2
7	C-OLEO-RAC-00159	Junction	2
8	C-OLEO-RAC-00163	Junction	4
9	C-OLEO-RAC-00232	Junction	4
10	C-OLEO-RAC-00274	Junction	4
11	C-OLEO-RAC-00297	Junction	1
12	C-OLEO-RAC-00348	Junction	5
13	C-OLEO-RAC-00350	Junction	1
14	C-OLEO-RAC-00351	Junction	2
15	C-OLEO-VAL-00018	Valve tap	4



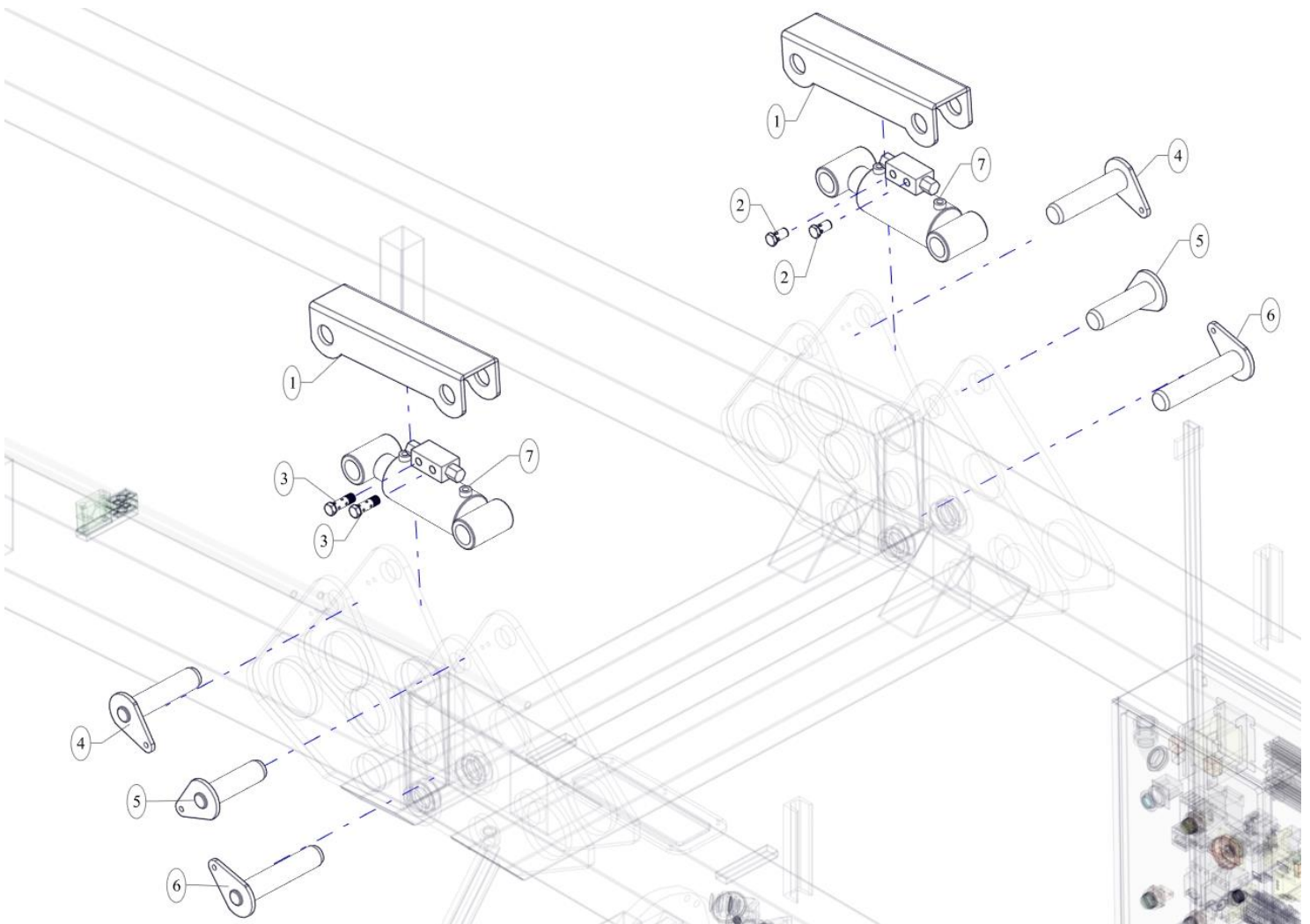
**Tab.08**

ID	Code	Description	Q.ty					
1	C-ELET-QUE-00378	3 phase disconnecter switch	1					
2	C-ELET-PNO-00195	Drive inverter	1					
3	C-ELET-PNO-00194	Selector with key	1	→	<b>Q.ty for one code C-ELET-PNO-00194</b>			
					<b>ID</b>	<b>Code</b>	<b>Description</b>	<b>Q.ty</b>
					3.1	C-ELET-PNO-00162	Selector Base	1
					3.2	C-ELET-PNO-00060	Contactactor Auxiliary	2
4	C-ELET-PNO-00123	Blue push button	1	→	<b>Q.ty for one code C-ELET-PNO-00123</b>			
					<b>ID</b>	<b>Code</b>	<b>Description</b>	<b>Q.ty</b>
					4.1	C-ELET-PNO-00091	Selector Base	1
					4.2	C-ELET-PNO-00155	Contactactor Auxiliary	1
5	C-ELET-QUE-00123	Switch	1					
6	C-ELET-QUE-00159	Light bulb green	1	→	<b>Q.ty for one code C-ELET-QUE-00159</b>			
					<b>ID</b>	<b>Code</b>	<b>Description</b>	<b>Q.ty</b>
					6.1	C-ELET-PNO-00091	Contactactor Auxiliary	1
7	C-ELET-PNO-00192	Light bulb white	1	→	<b>Q.ty for one code C-ELET-PNO-00192</b>			
					<b>ID</b>	<b>Code</b>	<b>Description</b>	<b>Q.ty</b>
					7.1	C-ELET-PNO-00091	Contactactor Auxiliary	1
8	C-ELET-QUE-00090	Light bulb red	1	→	<b>Q.ty for one code C-ELET-QUE-00090</b>			
					<b>ID</b>	<b>Code</b>	<b>Description</b>	<b>Q.ty</b>
					8.1	C-ELET-PNO-00091	Contactactor Auxiliary	1
9	C-ELET-QUE-00187	White box	1					



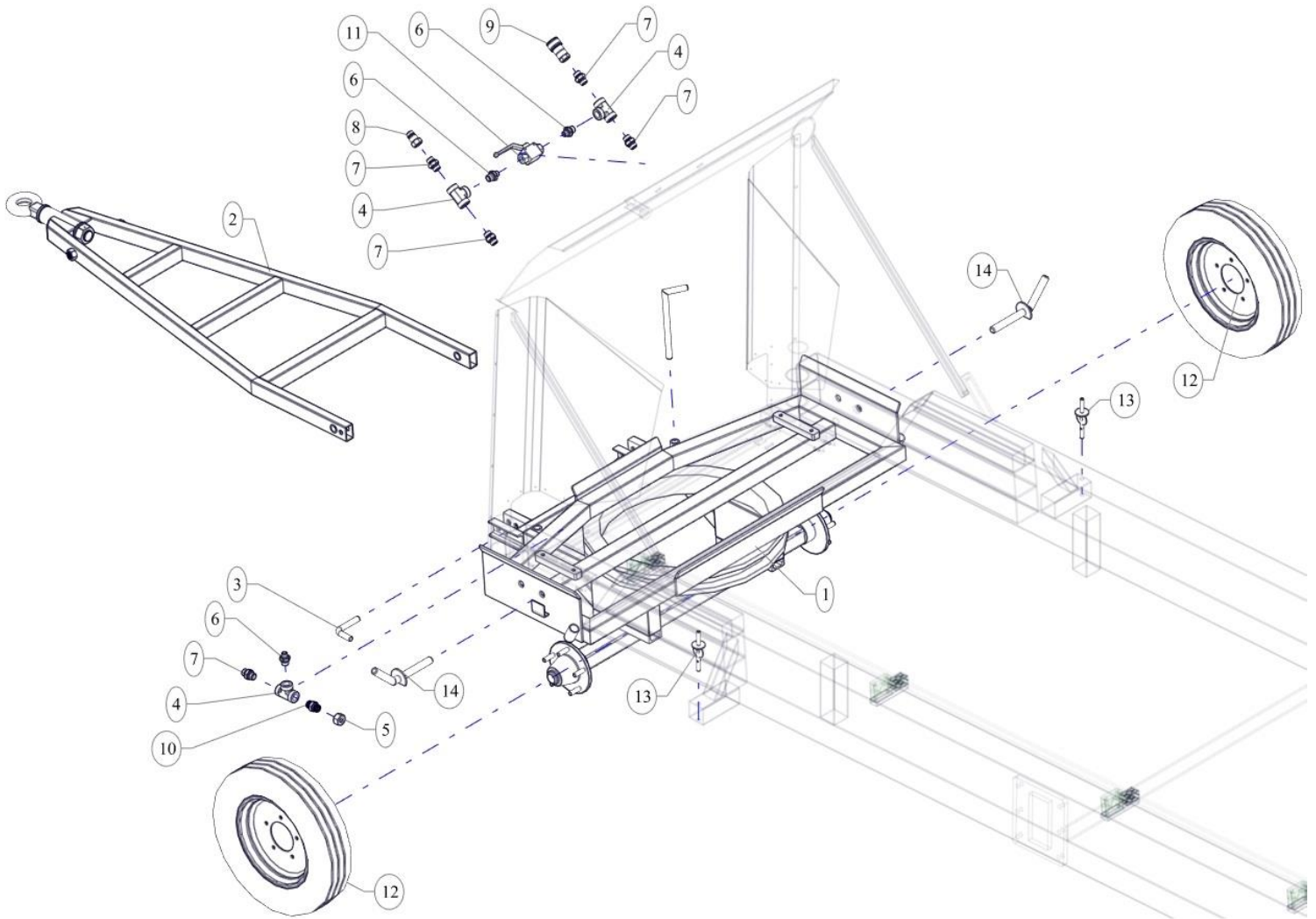
Tab.09

ID	Code	Description	Q.ty
1	C-ELET-QUE-00374	Terminal	39
→			
<b>Q.ty for one code C-ELET-QUE-00374</b>			
ID	Code	Description	Q.ty
1.1	C-ELET-QUE-00376	Terminal	7
2	C-ELET-QUE-00387	Fused terminal	2
3	C-ELET-QUE-00047	Contactor	2
4	C-ELET-QUE-00373	Power supply	1
5	C-ELET-QUE-00259	Motor thermic relay	1
6	C-ELET-QUE-00222	Contactor Auxiliary contacts module	1
7	C-ELET-QUE-00383	Motor thermic relay	2
8	C-ELET-QUE-00378	3 phase disconnecter switch	1
9	C-ELET-QUE-00005	2 contacts relay	3
10	C-ELET-QUE-00011	Relay Socket	3
11	C-ELET-QUE-00381	Hour counter	1
12	C-ELET-QUE-00385	Phase sequence check relay	1
13	C-ELET-QUE-00382	Safety relay module	1
14	C-ELET-QUE-00379	Terminal	4
15	C-ELET-QUE-00301	Motor thermic relay	1
16	C-ELET-PNO-00193	Selector with key	2
→			
<b>Q.ty for one code C-ELET-PNO-00193</b>			
ID	Code	Description	Q.ty
16.1	C-ELET-PNO-00162	Selector Base	1
16.2	C-ELET-QUE-00055	Contactor Auxiliary	1
17	C-ELET-PNO-00075	Reg. ramp up/down proportional	1
18	C-ELET-SPN-00007	Socket 380 V - 3P + T/16 A	1



Tab.10

ID	Code	Description	Q.ty
1	A-TA80-020-00050	Cover	2
2	C-OLEO-RAC-00014	Junction	2
3	C-OLEO-RAC-00015	Junction	2
4	G-0000-010-00010	Pin	2
5	G-0000-010-00011	Pin	2
6	G-0000-010-00012	Pin	2
7	G-0000-100-00025	Cylinder	2



Tab.11

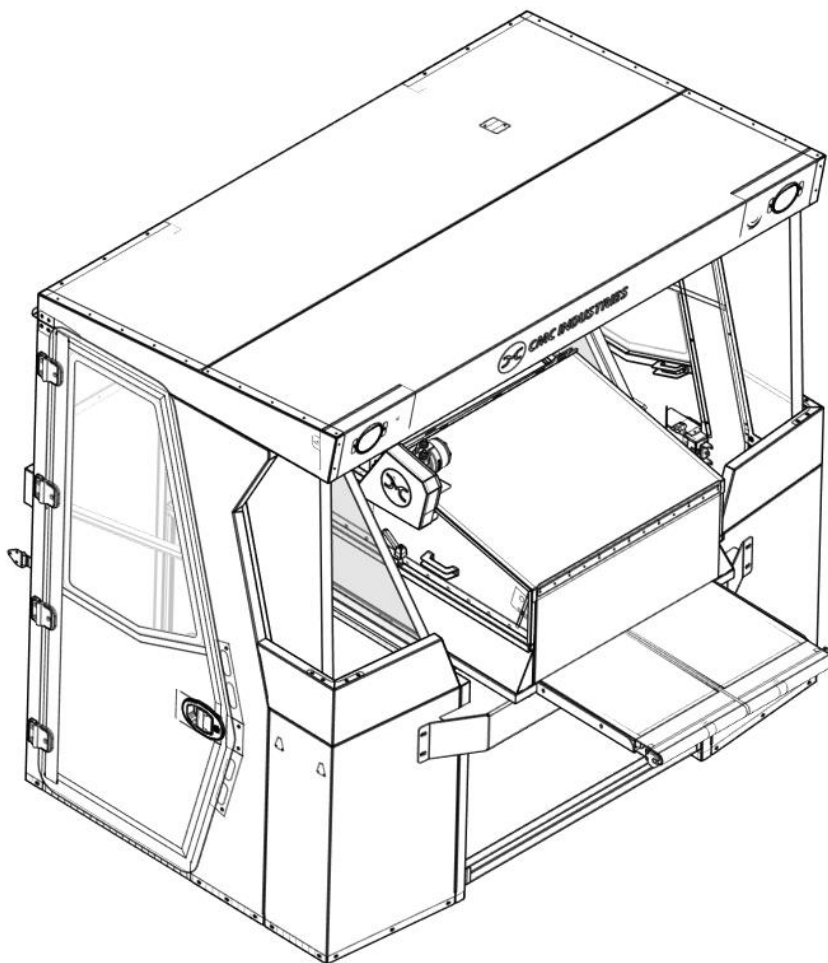
ID	Code	Description	Q.ty
1	A-TA80-010-00031	Welded assembly	1
2	A-TA80-010-00032	Welded assembly	1
3	A-TA80-035-00030	Pin	1
4	C-OLEO-RAC-00027	"T" Junction	3
5	C-OLEO-RAC-00070	Junction	1
6	C-OLEO-RAC-00153	Junction	3
7	C-OLEO-RAC-00156	Junction	5
8	C-OLEO-RAC-00381	Junction	1
9	C-OLEO-RAC-00384	Junction	1
10	C-OLEO-RAC-00430	Junction	1
11	C-OLEO-VAL-00037	Tap valve	1
12	C-RMOP-ROT-00014	Wheel	2
13	G-0000-010-00009	Pin	2
14	G-0000-010-00018	Pin	2

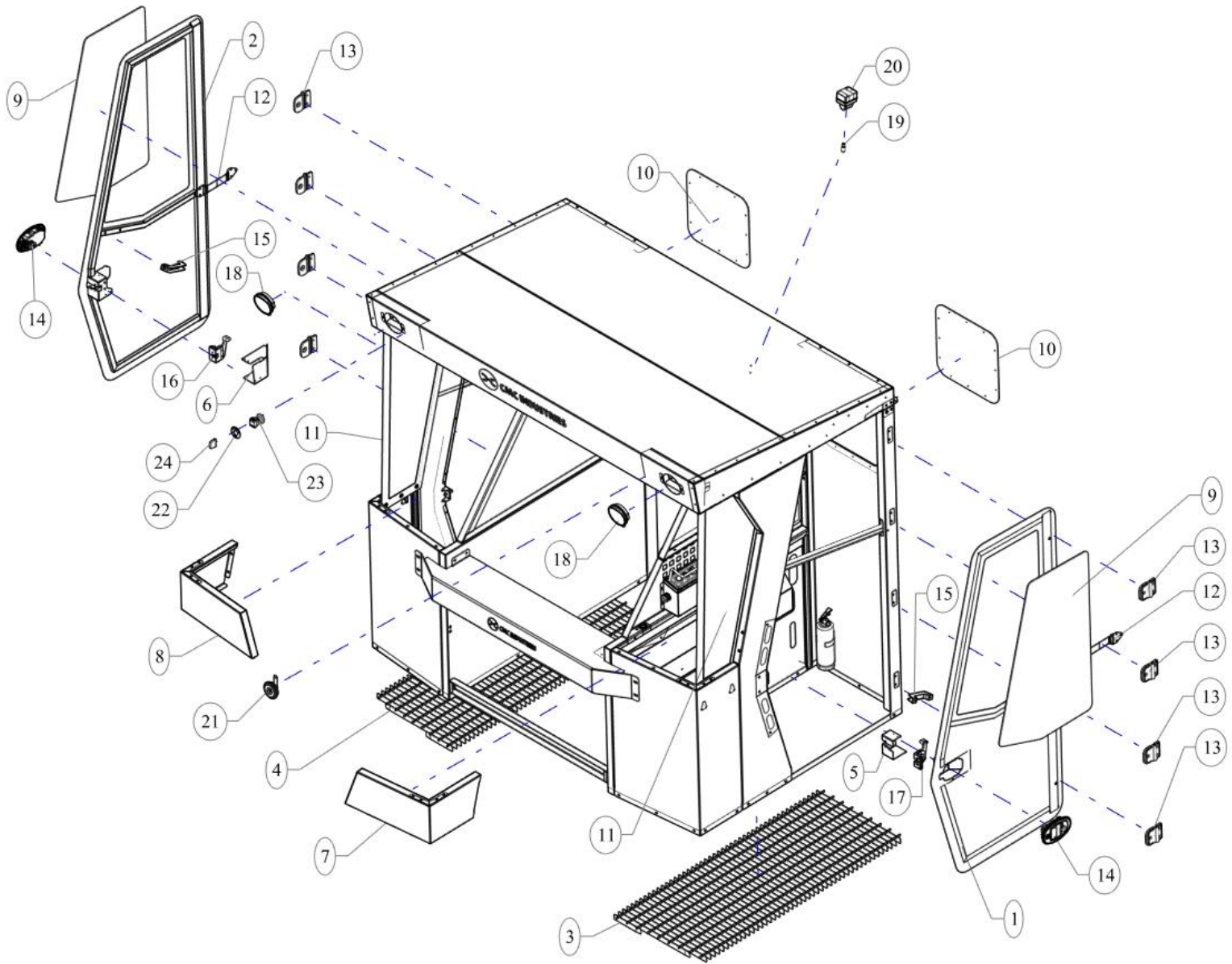


## Section 02

- Cabin

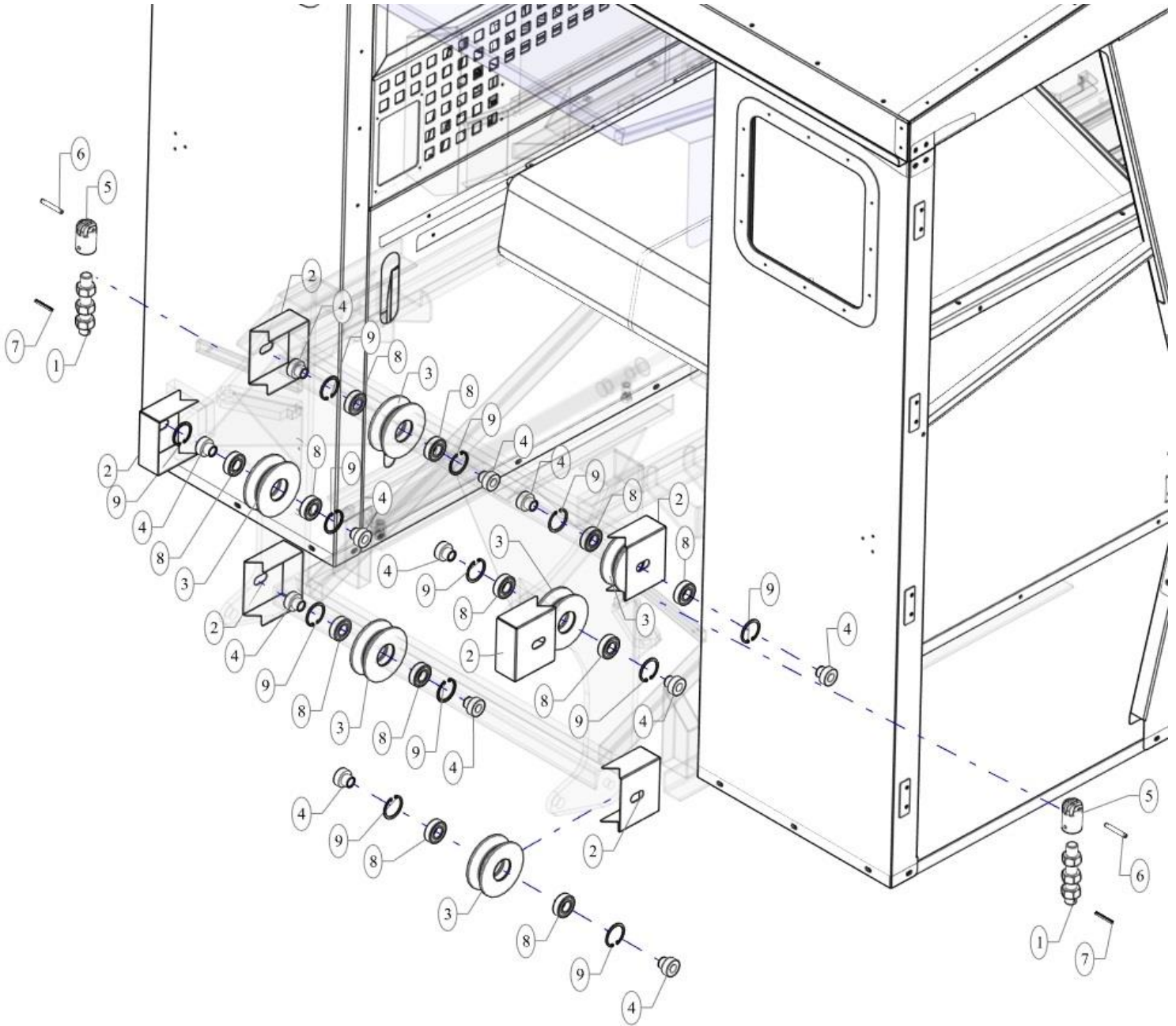
- Cabin assembly \_\_\_\_\_ Pag.30
- Lifting wheels \_\_\_\_\_ Pag.32
- Cabin – Pushbutton \_\_\_\_\_ Pag.34
- Cagin belt frame \_\_\_\_\_ Pag.36
- Lower cagin belt \_\_\_\_\_ Pag.38
- Upper caging belt \_\_\_\_\_ Pag.44





**Tab.01**

ID	Code	Description	Q.ty
1	A-TA80-010-00046	Door frame	1
2	A-TA80-010-00047	Door frame	1
3	A-TA80-010-00050	Welded assembly	1
4	A-TA80-010-00051	Welded assembly	1
5	A-TA80-020-00125	Cover	1
6	A-TA80-020-00128	Cover	1
7	A-TA80-020-00153	Protection	1
8	A-TA80-020-00154	Protection	1
9	A-TA80-031-00005	Plastic window	2
10	A-TA80-031-00006	Plastic window	2
11	A-TA80-031-00007	Plastic window	2
12	C-ECOL-TIR-00002	Plate	2
13	C-ELCH-CER-00003	Hinge	8
14	C-ELCH-MAN-00004	Handle with lock	2
15	C-ELCH-MAN-00012	Handle	2
16	C-ELCH-SER-00004	Lock	1
17	C-ELCH-SER-00005	Lock	1
18	C-ELET-ILL-00002	Light	2
19	C-ELET-ILL-00015	Light bulb	1
20	C-ELET-ILL-00019	Grren light	1
21	C-ELET-PNO-00054	Horn	1
22	C-ELET-PNO-00061	Disc	1
23	C-ELET-PNO-00089	Emergency button	1
24	C-ELET-QUE-00155	Contact element	1

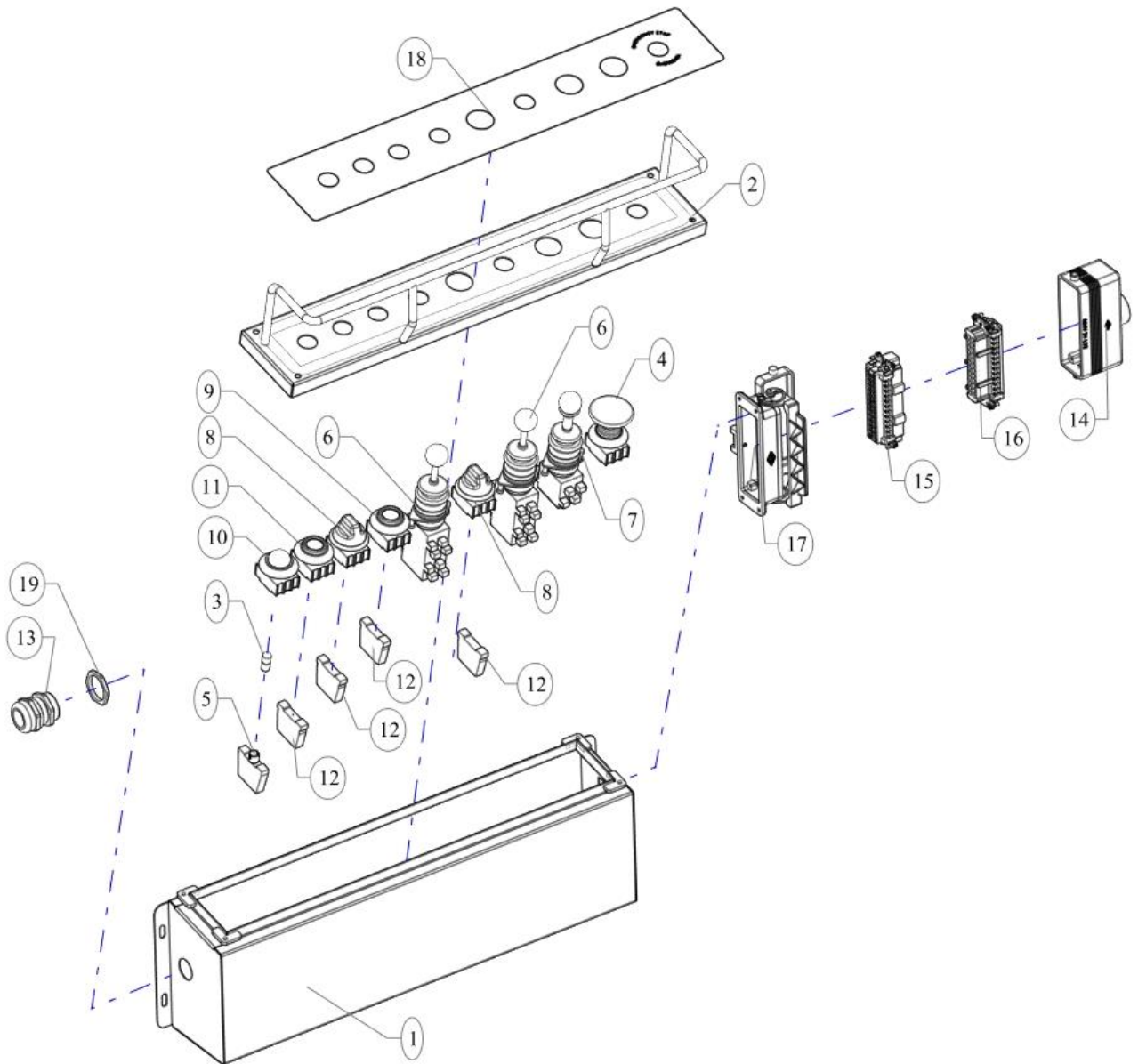


Tab.02

ID	Code	Description	Q.ty
1	A-TA80-000-00026	Screw with nuts	2
2	A-TA80-020-00002	Wheel cover	6
3	A-TA80-030-00003	Wheel	6
4	A-TA80-030-00004	Cap	12
5	A-TA80-030-00013	Bushing for chain	2

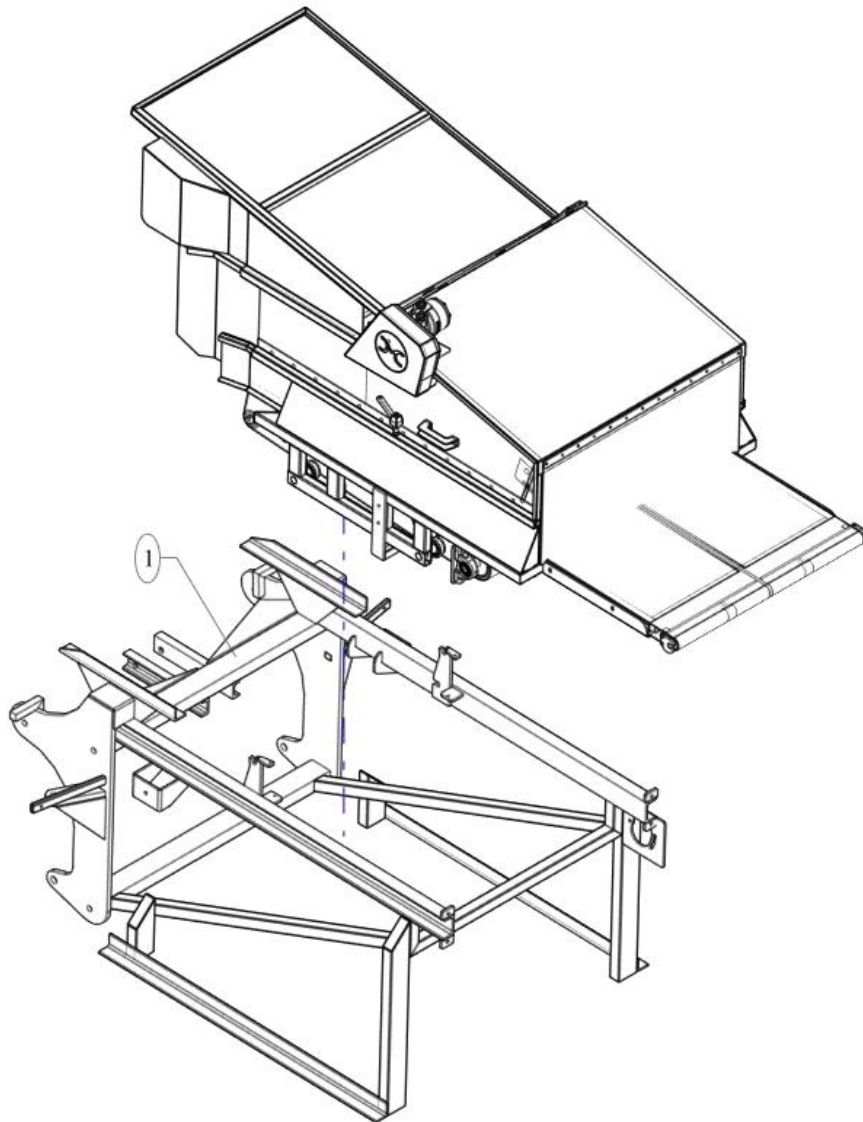
→	Q.ty for one cod. A-TA80-030-00013		
ID	Code	Description	Q.ty
5.1	C-TRAM-CAT-00021	Chain 2,14 mt	1

6	C-ECOL-PER-00008	Pin for chain	2
7	C-ECOL-SPI-00011	Pin	2
8	C-SCOR-CUS-00017	Bearing	12
9	Z-SEEG-INT-00005	Seeger	12



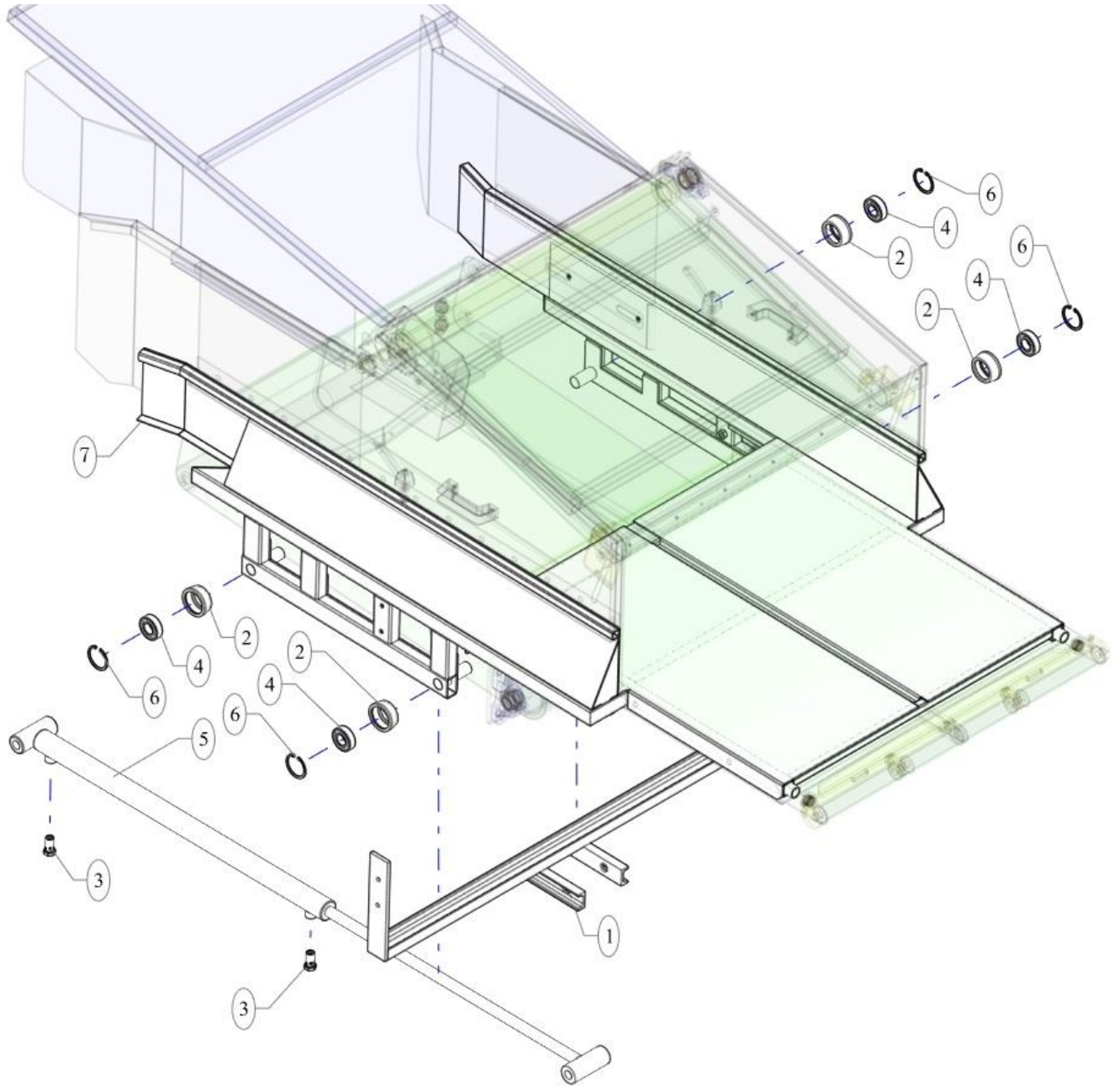
**Tab.03**

<b>ID</b>	<b>Code</b>	<b>Description</b>	<b>Q.ty</b>
1	A-TA80-010-00021	Welded assembly	1
2	A-TA80-010-00022	Welded assembly	1
3	C-ELET-ILL-00011	Light bulb	1
4	C-ELET-PNO-00089	Emergency button	1
5	C-ELET-PNO-00091	Light holder	1
6	C-ELET-PNO-00093	4 positions manipulator	2
7	C-ELET-PNO-00097	2 positions manipulator	1
8	C-ELET-PNO-00099	Selector	2
9	C-ELET-PNO-00102	Push button	1
10	C-ELET-PNO-00122	Yellow light	1
11	C-ELET-PNO-00123	Push button	1
12	C-ELET-QUE-00155	Contact element	4
13	C-ELET-RCE-00022	Electrical fitting	1
14	C-ELET-SPN-00023	Floating case	1
15	C-ELET-SPN-00030	Plug	1
16	C-ELET-SPN-00038	Plug	1
17	C-ELET-SPN-00039	Case	1
18	G-0000-980-00114	Sticker	1
19	Z-DADO-BA0-00009	Nut	1



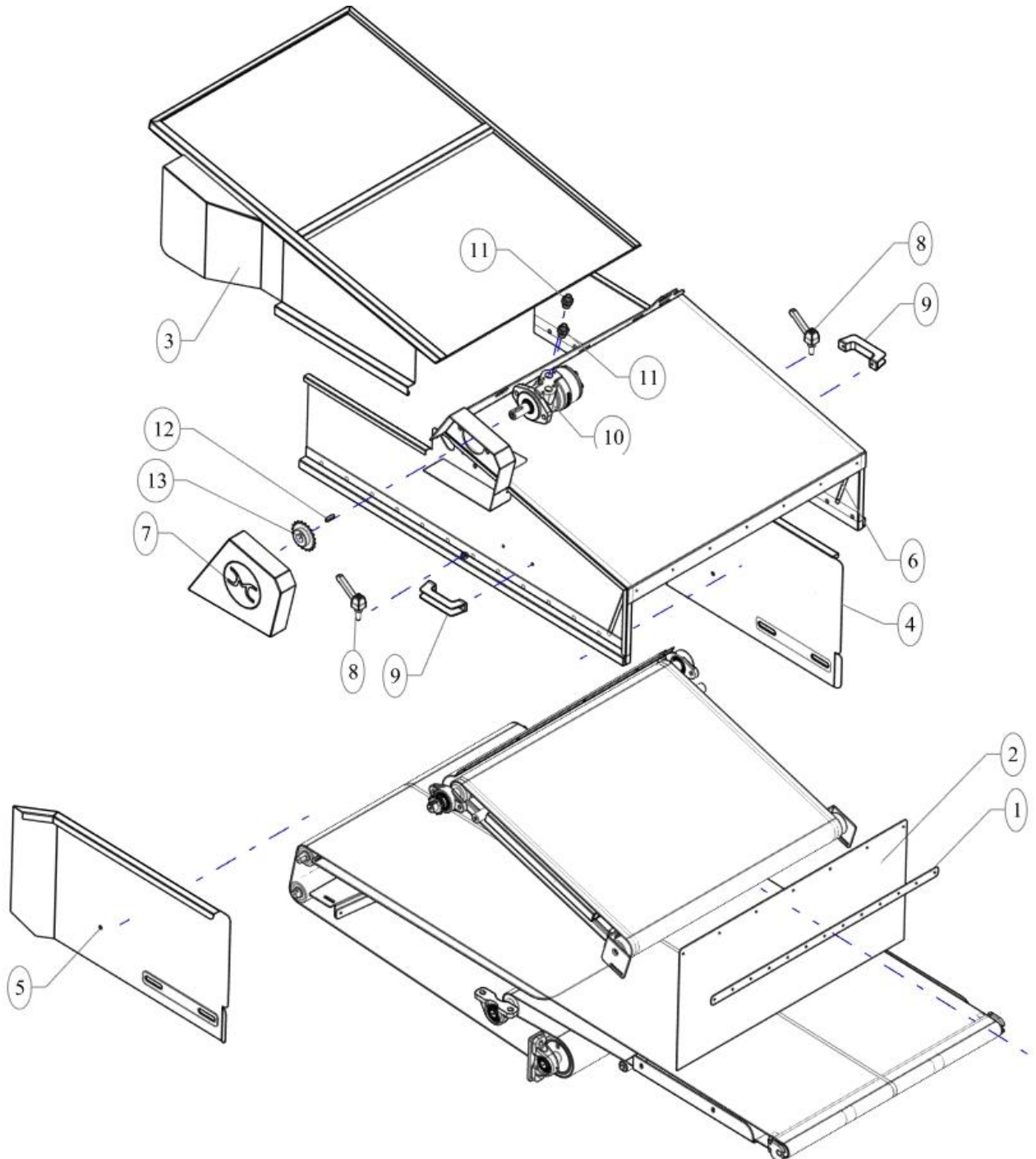
Tab.04

ID	Code	Description	Q.ty
1	A-TA80-010-00026	Caging belt - support frame	1



Tab.05

<b>ID</b>	<b>Code</b>	<b>Description</b>	<b>Q.ty</b>
1	A-TA80-010-00058	Cylinder support	1
2	A-TA80-030-00005	Wheel	4
3	C-OLEO-RAC-00014	Junction	2
4	C-SCOR-CUS-00017	Bearing	4
5	G-0000-100-00012	Cylinder	1
6	Z-SEEG-INT-00005	Seeger	4
7	A-TA80-010-00029	Caging belt frame	1



Tab.06

ID	Code	Description	Q.ty
1	A-TA10-020-00024	Plate	1
2	A-TA10-031-00011	Rubber	1
3	A-TA80-010-00011	Top cover	1
4	A-TA80-010-00015	Side plate	1
5	A-TA80-010-00016	Side plate	1
6	A-TA80-010-00030	Top cover	1
7	A-TA80-020-00169	Guard	1
8	C-ELCH-MAN-00011	Lever	2
9	C-ELCH-MAN-00012	Handle	2
10	C-MOTO-OLE-00005	Hydraulic motor	1

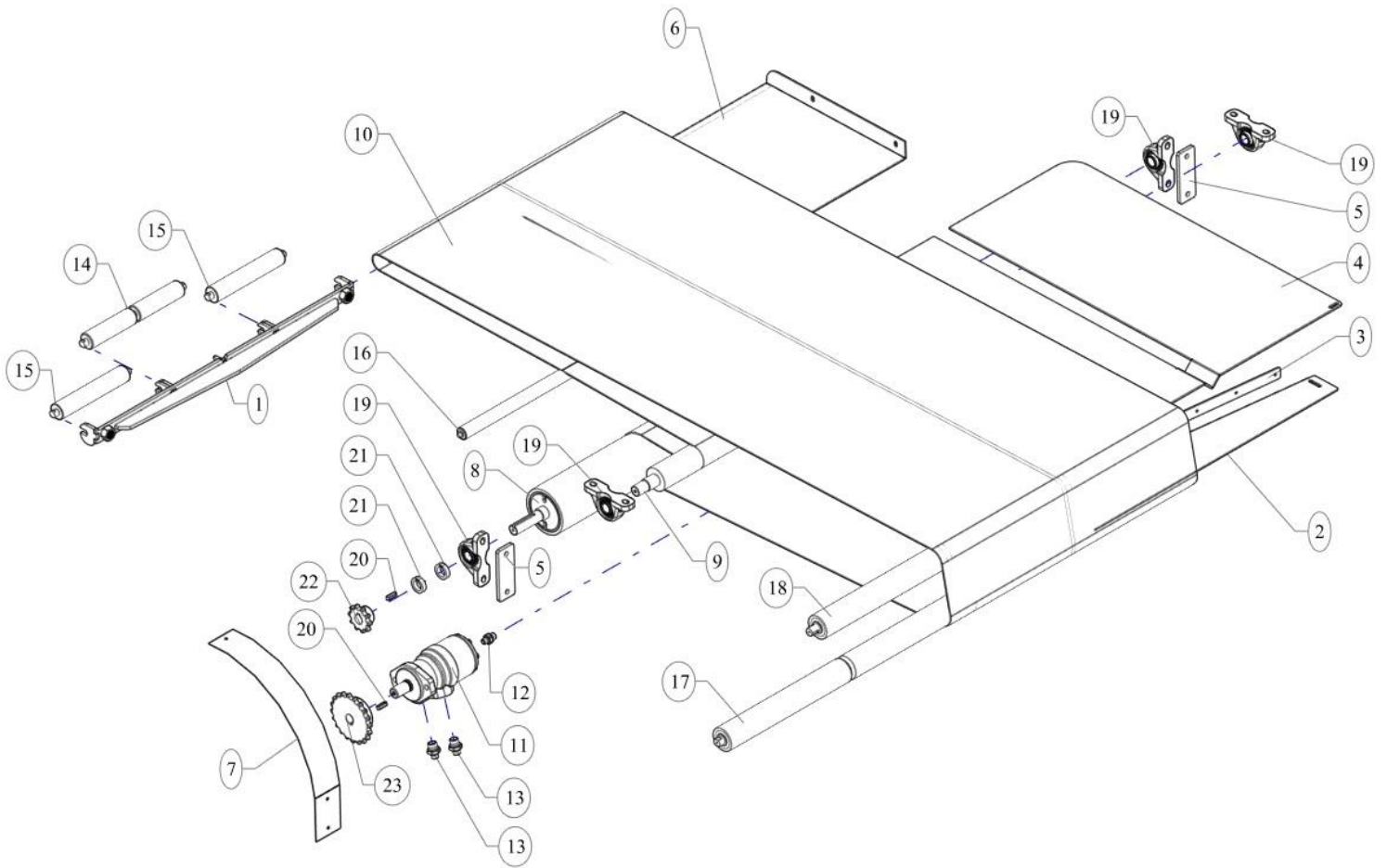
Q.ty for one code C-MOTO-OLE-00005			
ID	Code	Description	Q.ty
10.1	C-ETNA-GUR-00014	Seals kit	1

11	C-OLEO-RAC-00153	Junction	2
12	C-TRAM-LNG-00004	Key	1
13	G-0000-040-00021	Sprocket	1

Q.ty for one code G-0000-040-00021			
ID	Code	Description	Q.ty
13.1	C-TRAM-CAT-00020	Chain	mt
13.2	C-TRAM-CAT-00030	Chain link	1
13.3	C-TRAM-CAT-00031	Half chain link	1



Tab.07

ID	Code	Description	Q.ty
1	A-TA80-010-00008	Welded assembly	1
2	A-TA80-020-00008	Guard	1
3	A-TA80-020-00009	Plate	1
4	A-TA80-020-00023	Guard	1
5	A-TA80-020-00034	Plate	2
6	A-TA80-020-00059	Guard	1
7	A-TA80-020-00065	Guard	1
8	A-TA80-050-00003	Towing roller	1
9	A-TA80-050-00005	Roller	1
10	C-BELT-PLS-00011	Belt	1
11	C-MOTO-OLE-00001	Hydraulic motor	1

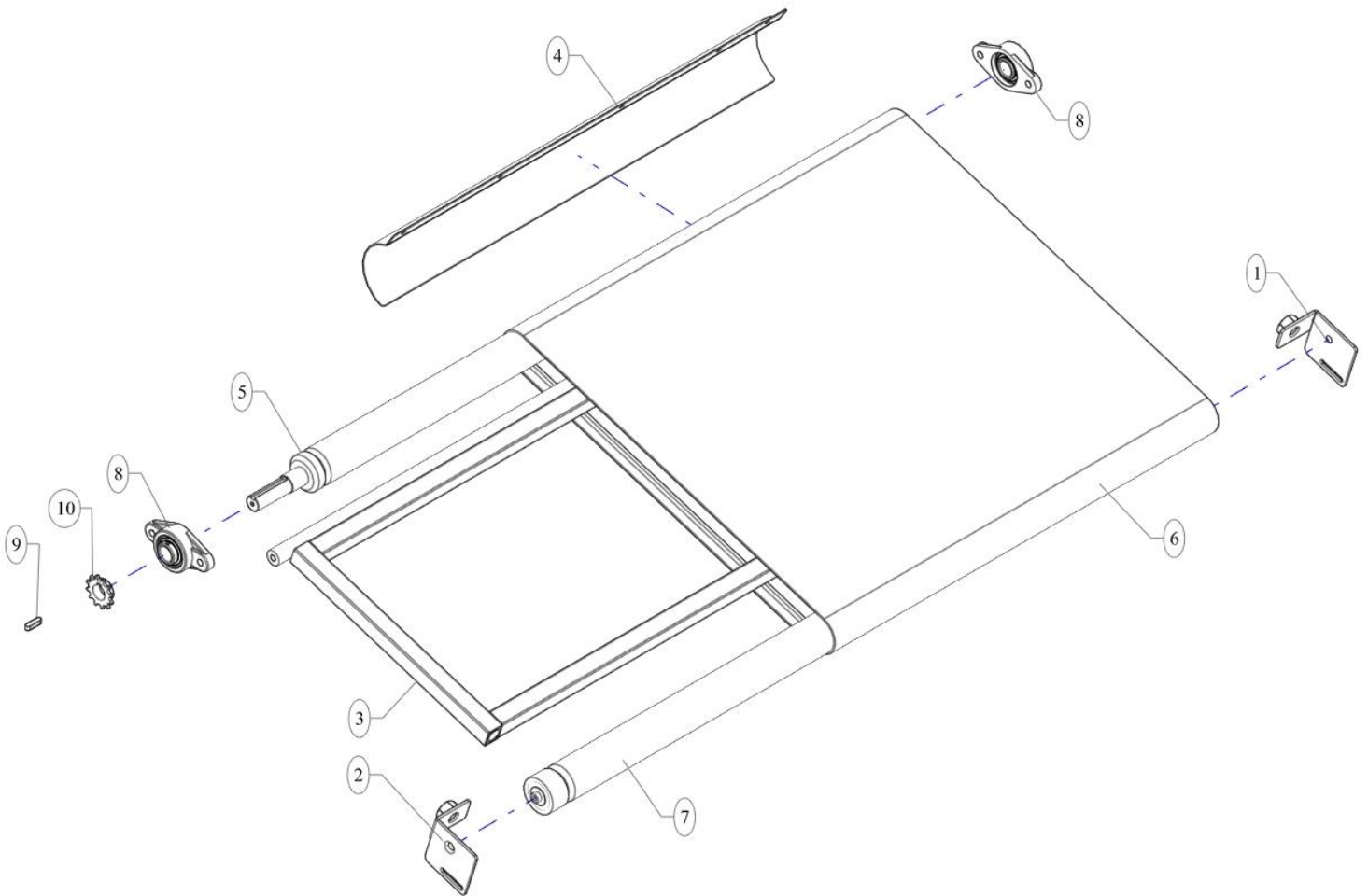
Q.ty for one cod. C-MOTO-OLE-00011			
ID	Code	Description	Q.ty
11.1	C-ETNA-GUR-00014	Seals kit	1

12	C-OLEO-RAC-00151	Junction	1
13	C-OLEO-RAC-00153	Junction	2
14	C-RULL-FOL-00076	Idle roller	1
15	C-RULL-FOL-00077	Idle roller	2
16	C-RULL-FOL-00080	Idle roller	1
17	C-RULL-FOL-00081	Idle roller	1
18	C-RULL-FOL-00082	Idle roller	1
19	C-SCOR-SUS-00031	Housed bearing	4
20	C-TRAM-LNG-00004	Key	2
21	G-0000-020-00038	Spacer	2
22	G-0000-040-00017	Sprocket	1
23	G-0000-040-00030	Sprocket	1

Q.ty for one cod. G-0000-040-00030			
ID	Code	Description	Q.ty
23.1	C-TRAM-CAT-00005	Chain	mt
23.2	C-TRAM-CAT-00006	Chain link	1
23.3	C-TRAM-CAT-00027	Half chain link	1



**Tab.08**

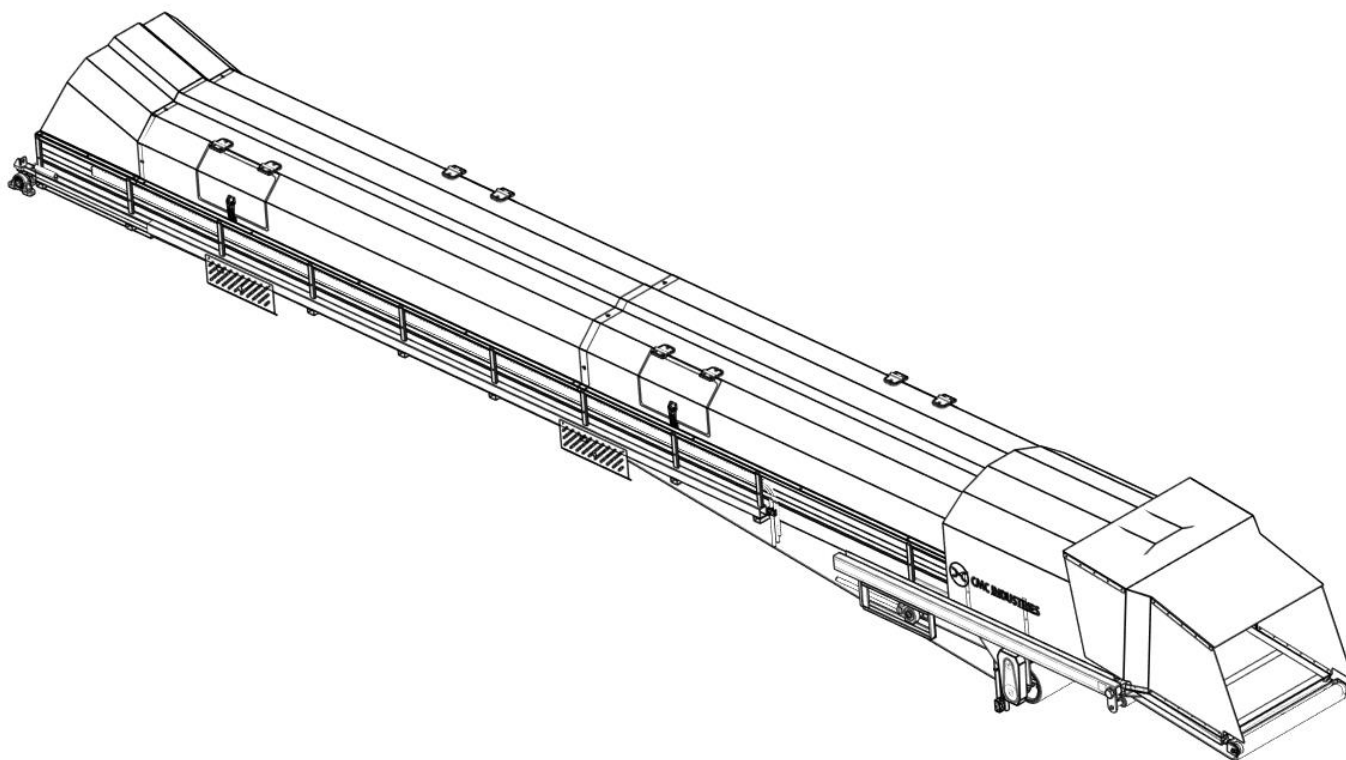
ID	Code	Description	Q.ty		Q.ty for one cod. G-0000-040-00016			
1	A-TA80-010-00017	Support	1					
2	A-TA80-010-00018	Support	1					
3	A-TA80-010-00059	Welded assembly	1					
4	A-TA80-020-00076	Cover	1					
5	A-TA80-050-00006	Towing roller	1					
6	C-BELT-PNA-00027	Belt	1					
7	C-RULL-FOL-00083	Idle roller	1					
8	C-SCOR-SUS-00022	Housed bearing	2					
9	C-TRAM-LNG-00004	Key	1					
10	G-0000-040-00016	Sprocket	1	→				
					ID	Code	Description	Q.ty
					10.1	C-TRAM-CAT-00020	Chain	mt
					10.2	C-TRAM-CAT-00030	Chain link	1
					10.3	C-TRAM-CAT-00031	Half chain link	1

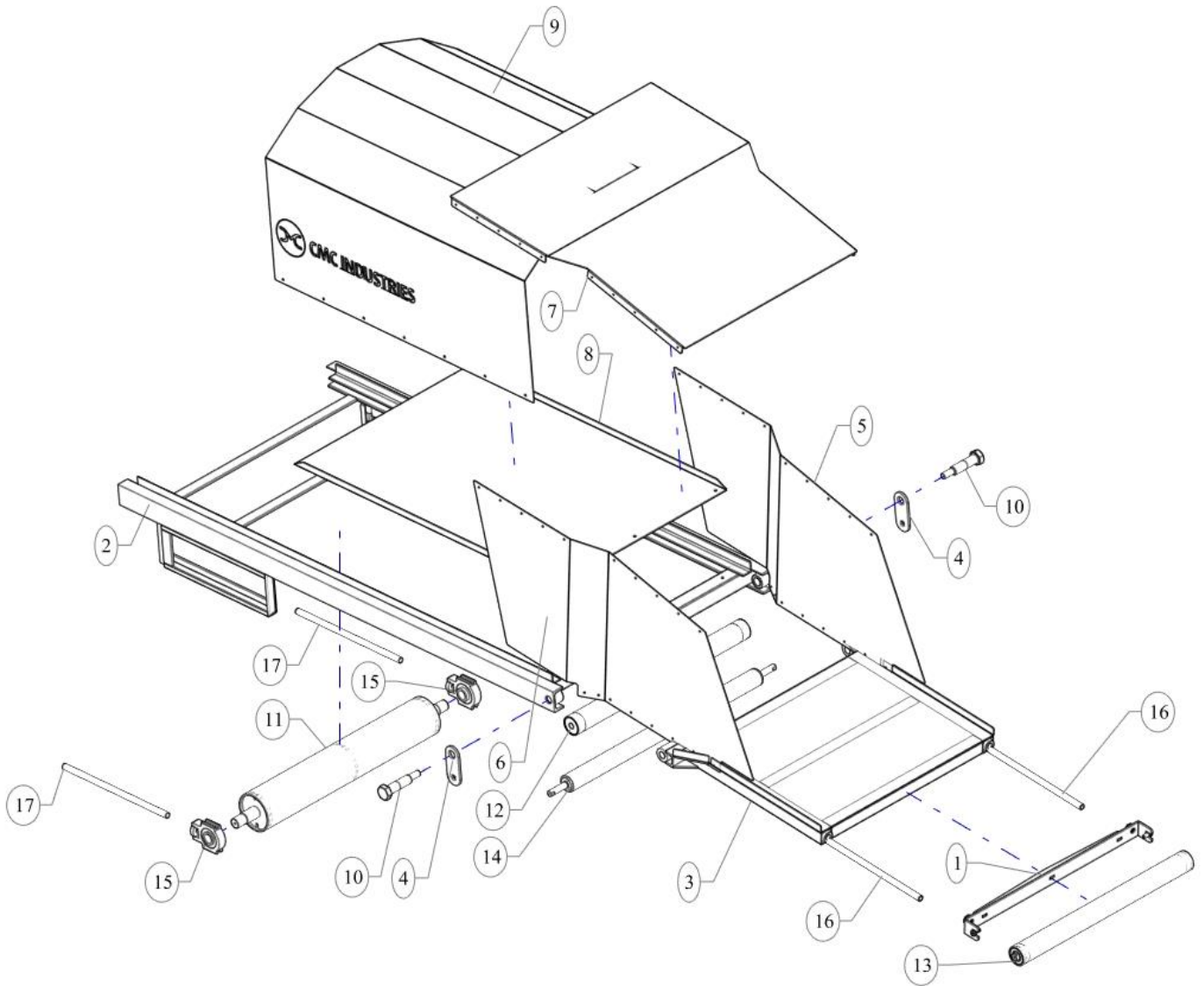


## **Section 03**

- **Main tunnel**

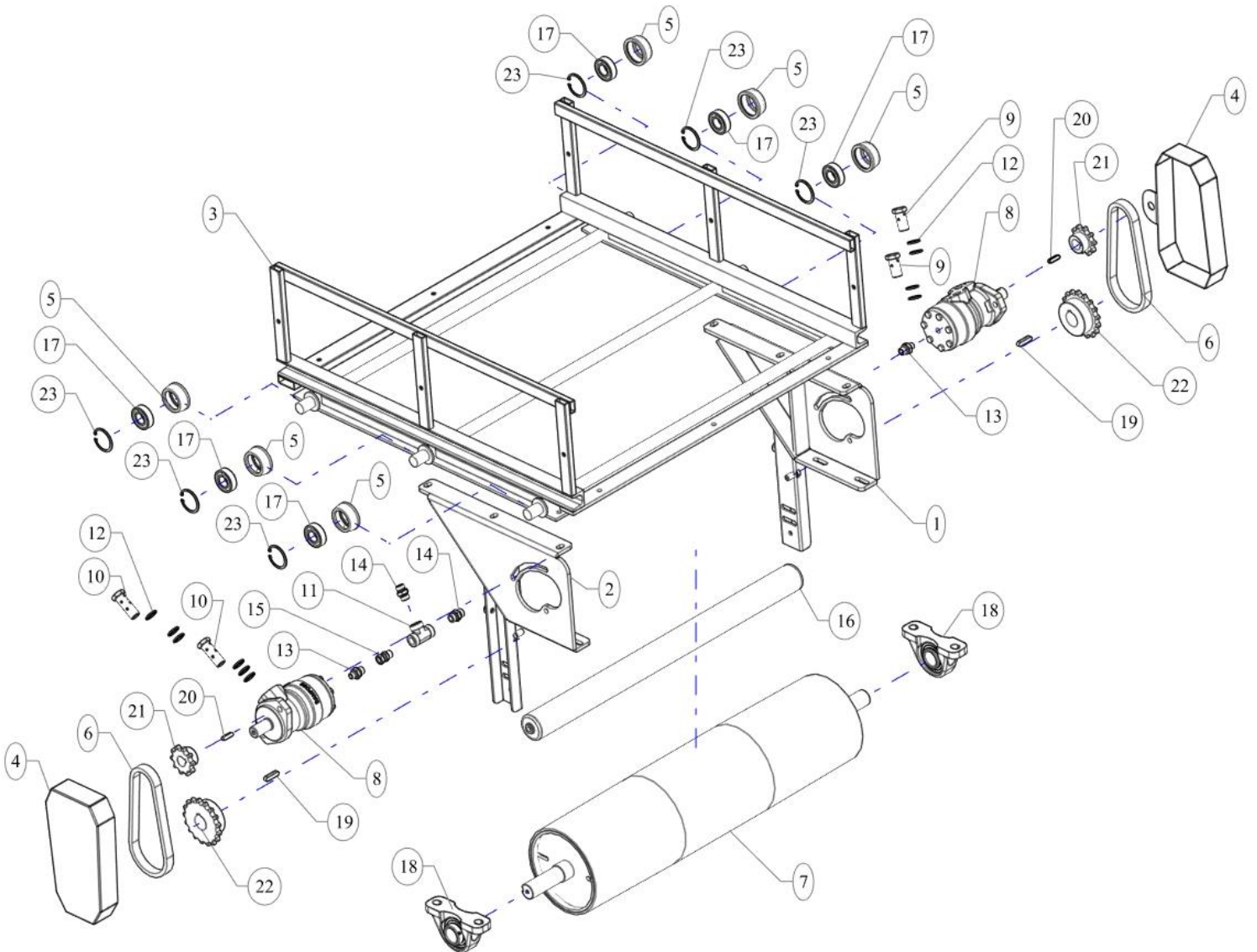
- Articulation \_\_\_\_\_ Pag.48
- Towing roller \_\_\_\_\_ Pag.50
- Main tunnel assembly \_\_\_\_\_ Pag.52





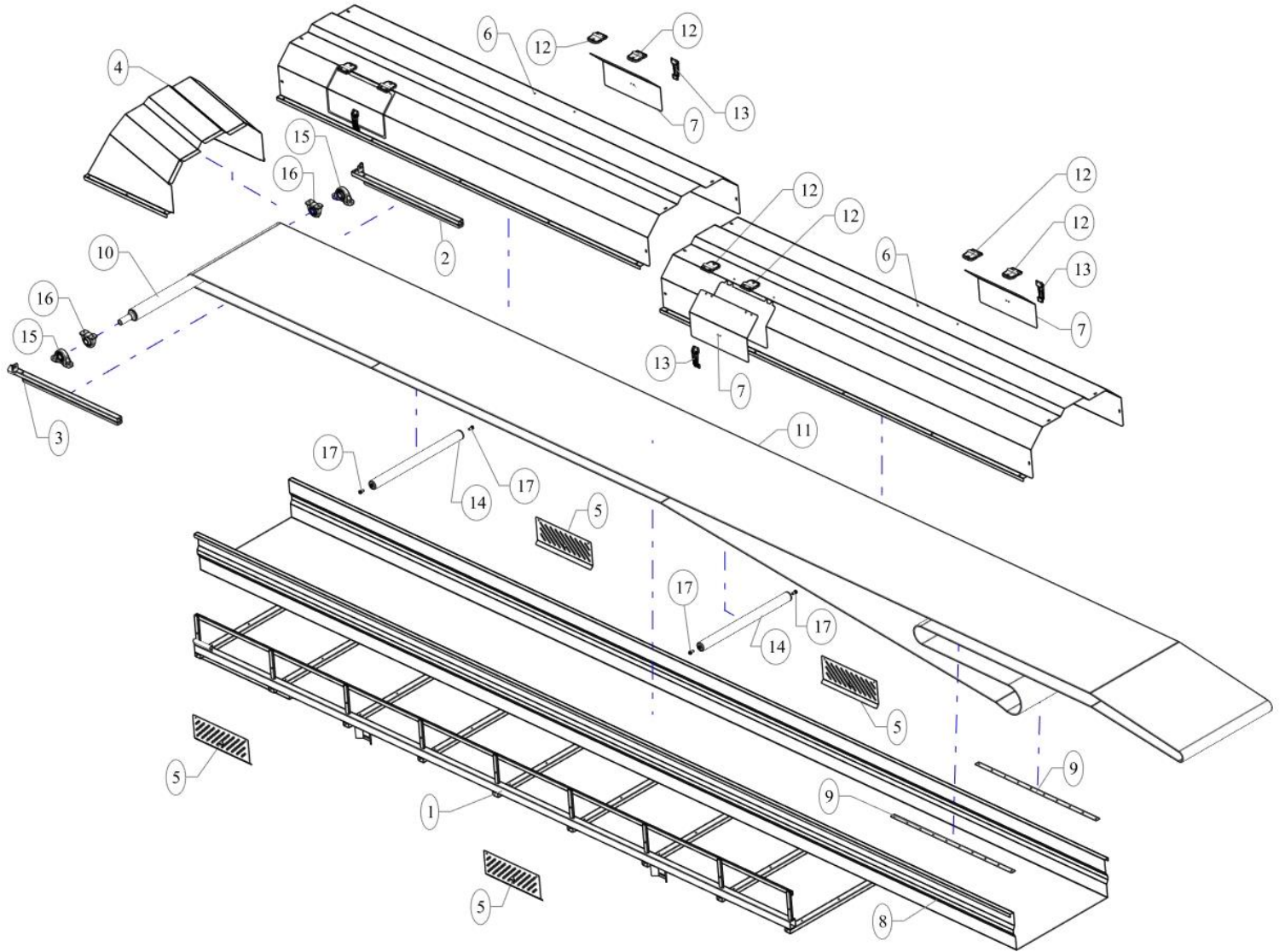
Tab.01

ID	Code	Description	Q.ty
1	A-BOXI-010-00006	Welded assembly	1
2	A-TA80-010-00006	Frame	1
3	A-TA80-010-00007	Welded assembly	1
4	A-TA80-020-00006	Plate	2
5	A-TA80-020-00010	Side plate	1
6	A-TA80-020-00011	Side plate	1
7	A-TA80-020-00056	Cover	1
8	A-TA80-020-00062	Plate	1
9	A-TA80-020-00063	Cover	1
10	A-TA80-040-00001	Screw	2
11	A-TA80-050-00004	Tensioning roller	1
12	A-TA80-051-00001	Idle roller	1
13	C-RULL-FOL-00078	Idle roller	1
14	C-RULL-FOL-00079	Idler roller	1
15	C-SCOR-SUS-00013	Housed bearing	2
16	G-0000-040-00070	Threaded bar	2
17	G-0000-040-00085	Threaded bar	2



Tab.02

ID	Code	Description	Q.ty
1	A-TA80-010-00013	Welded assembly	1
2	A-TA80-010-00014	Welded assembly	1
3	A-TA80-010-00063	Welded assembly	1
4	A-TA80-020-00004	Guard	2
5	A-TA80-030-00005	Wheel	6
6	C-TRAM-CAT-00005	Chain	mt
→			
<b>Q.ty for one cod. C-TRAM-CAT-00005</b>			
ID	Code	Description	Q.ty
6.1	C-TRAM-CAT-00006	Chain link	1
6.2	C-TRAM-CAT-00027	Half chain link	1
7	A-TA80-050-00002	Towing roller	1
8	C-MOTO-OLE-00003	Hydraulic motor	2
→			
<b>Q.ty for one cod. C-MOTO-OLE-00003</b>			
ID	Code	Description	Q.ty
8.1	C-ETNA-GUR-00014	Seals kit	1
9	C-OLEO-RAC-00016	Junction	2
10	C-OLEO-RAC-00017	Junction	2
11	C-OLEO-RAC-00026	"T" Junction	1
12	C-OLEO-RAC-00105	Washer	10
13	C-OLEO-RAC-00151	Junction	2
14	C-OLEO-RAC-00152	Junction	2
15	C-OLEO-RAC-00236	Junction	1
16	C-RULL-FOL-00100	Idle roller	1
17	C-SCOR-CUS-00017	Bearing	6
18	C-SCOR-SUS-00012	Housed bearing	2
19	C-TRAM-LNG-00002	Key	2
20	C-TRAM-LNG-00004	Key	4
21	G-0000-040-00017	Sprocket	2
22	G-0000-040-00028	Sprocket	2
23	Z-SEEG-INT-00005	Seeger	6



**Tab.03**

ID	Code	Description	Q.ty
1	A-TA80-010-00012	Main tunnel frame	1
2	A-TA80-010-00023	Welded assembly	1
3	A-TA80-010-00024	Welded assembly	1
4	A-TA80-020-00060	Top cover	1
5	A-TA80-020-00061	Guard	4
6	A-TA80-020-00066	Top cover	2
7	A-TA80-020-00067	Plate	4
8	A-TA80-020-00068	Bottom main tunnel	1
9	A-TA80-020-00075	Plate	2
10	A-TA80-050-00001	Roller	1
11	C-BELT-PPU-00006	Main belt	1
12	C-ELCH-CER-00003	Hinge	8
13	C-ELCH-SER-00014	Lock	4
14	C-RULL-FOL-00100	Idle roller	2
15	C-SCOR-SUS-00012	Housed bearing	2
16	C-SCOR-SUS-00017	Housed bearing	2
17	G-0000-040-00058	Screw	4

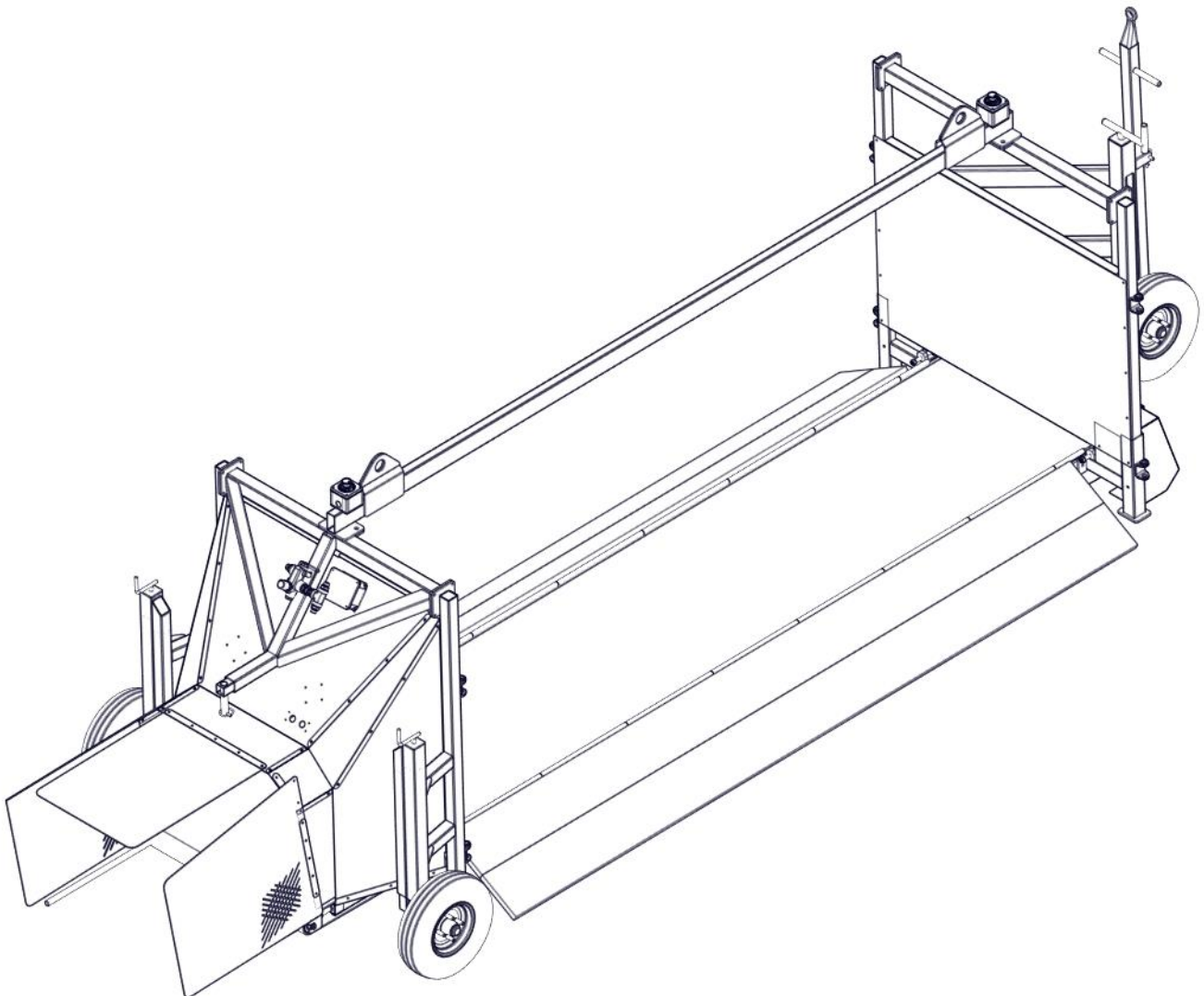


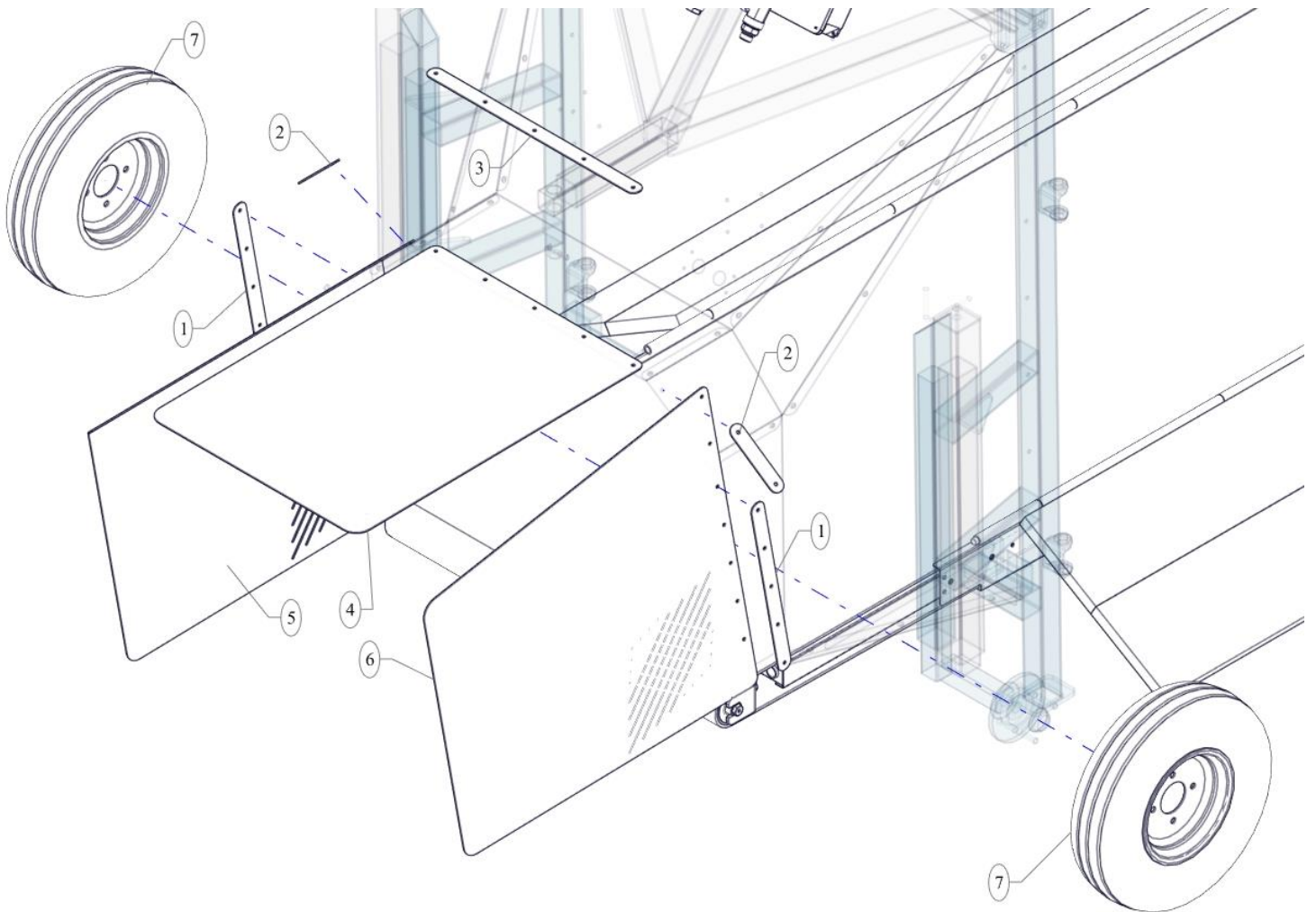
## Section 04

- Box

- Box assembly \_\_\_\_\_ Pag.56

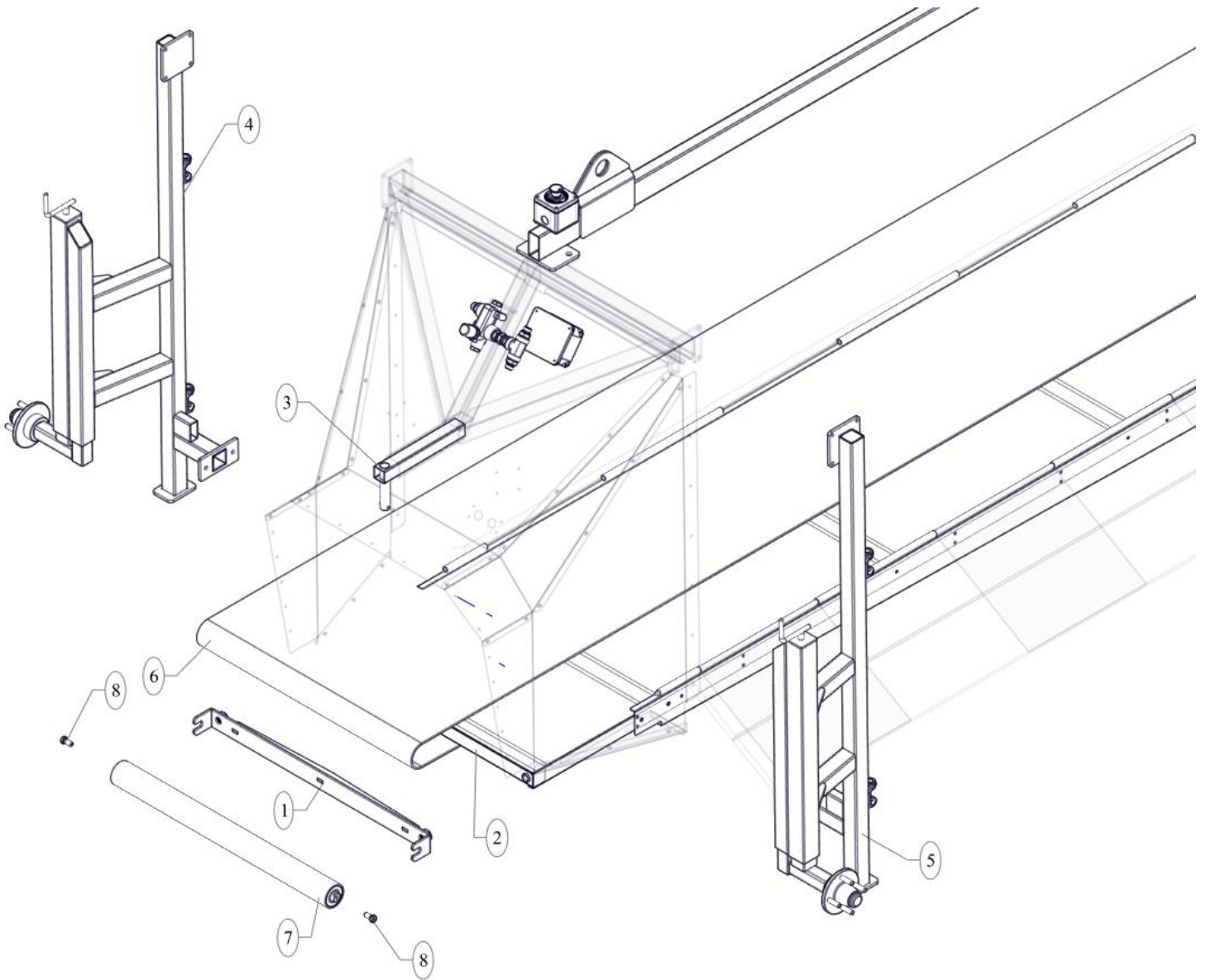
- Doors \_\_\_\_\_ Pag.68





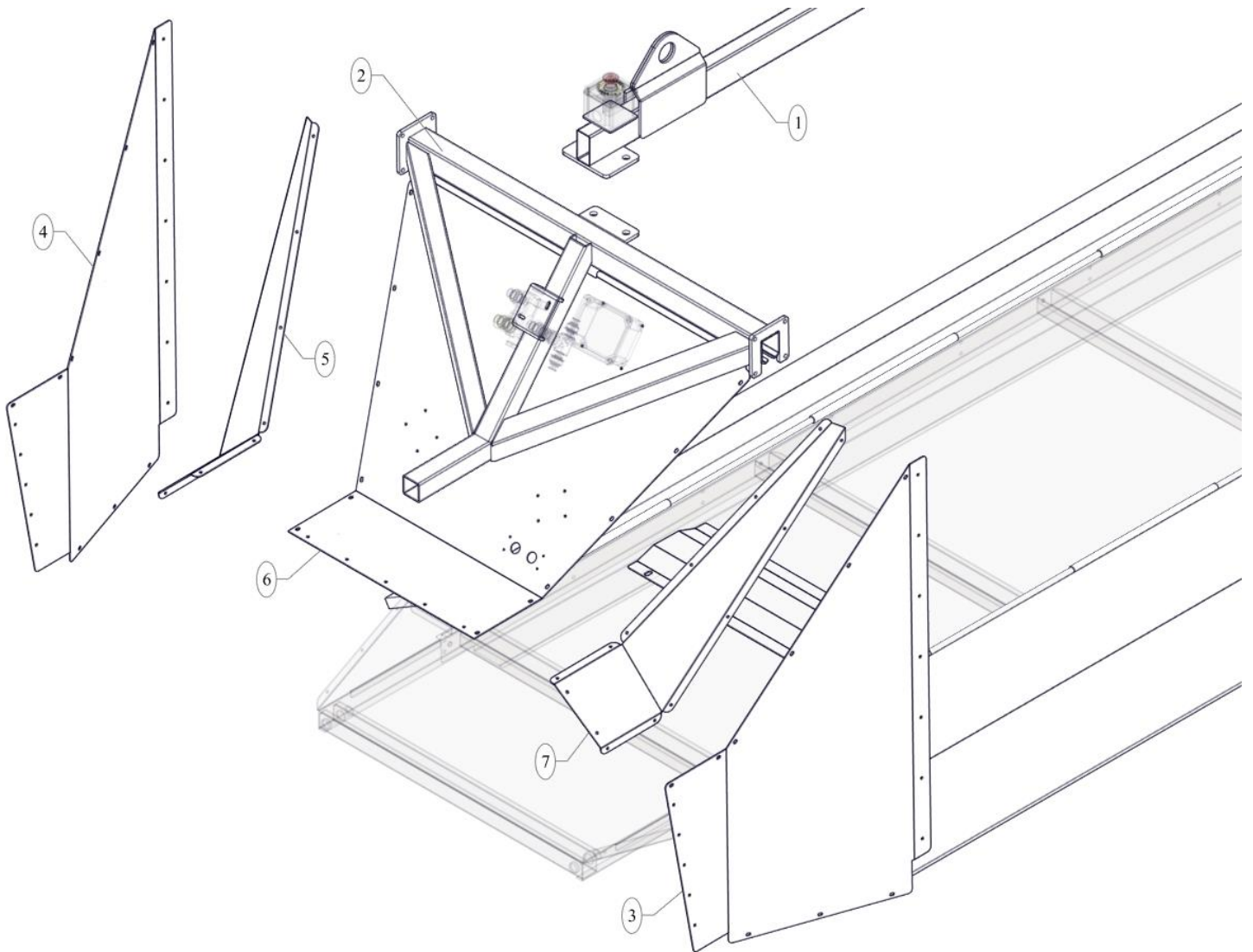
Tab.01

ID	Descrizione	Description	Q.ty
1	A-BOXI-020-00014	Plate	2
2	A-BOXI-020-00015	Plate	2
3	A-BOXI-020-00016	Plate	1
4	A-BOXI-031-00001	Rubber	1
5	A-BOXI-031-00002	Rubber	1
6	A-BOXI-031-00003	Rubber	1
7	C-RMOP-ROT-00013	Wheel	2



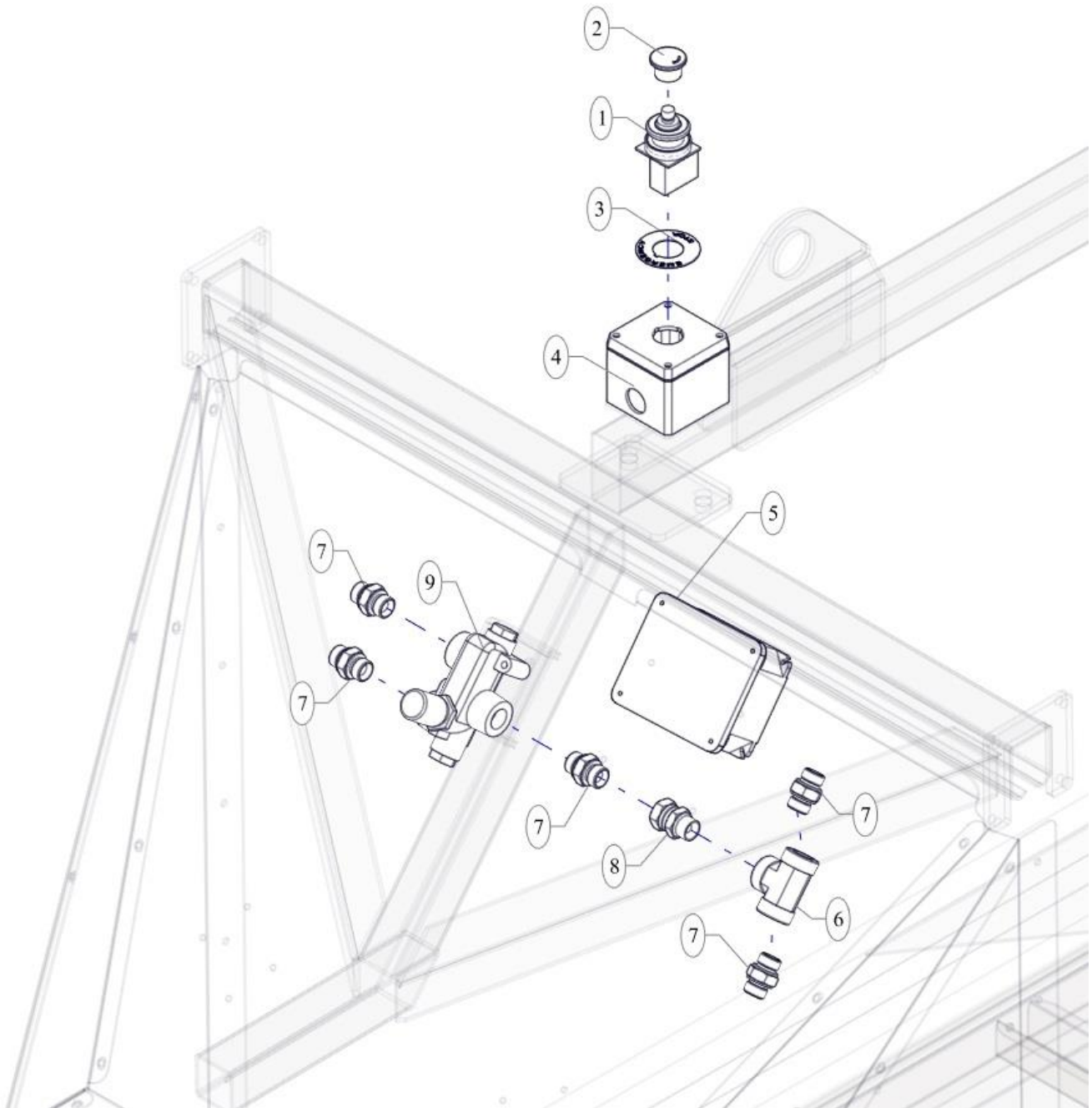
Tab.02

ID	Descrizione	Description	Q.ty
1	A-BOXI-010-00006	Welded assembly	1
2	A-BOXI-010-00008	Sliding floor	1
3	A-BOXI-010-00017	Welded assembly	1
4	A-BOXI-010-00018	Welded assembly	1
5	A-BOXI-010-00019	Welded assembly	1
6	C-BELT-PVC-00003	Belt	1
7	C-RULL-FOL-00078	Idle roller	1
8	G-0000-040-00058	Screw	2



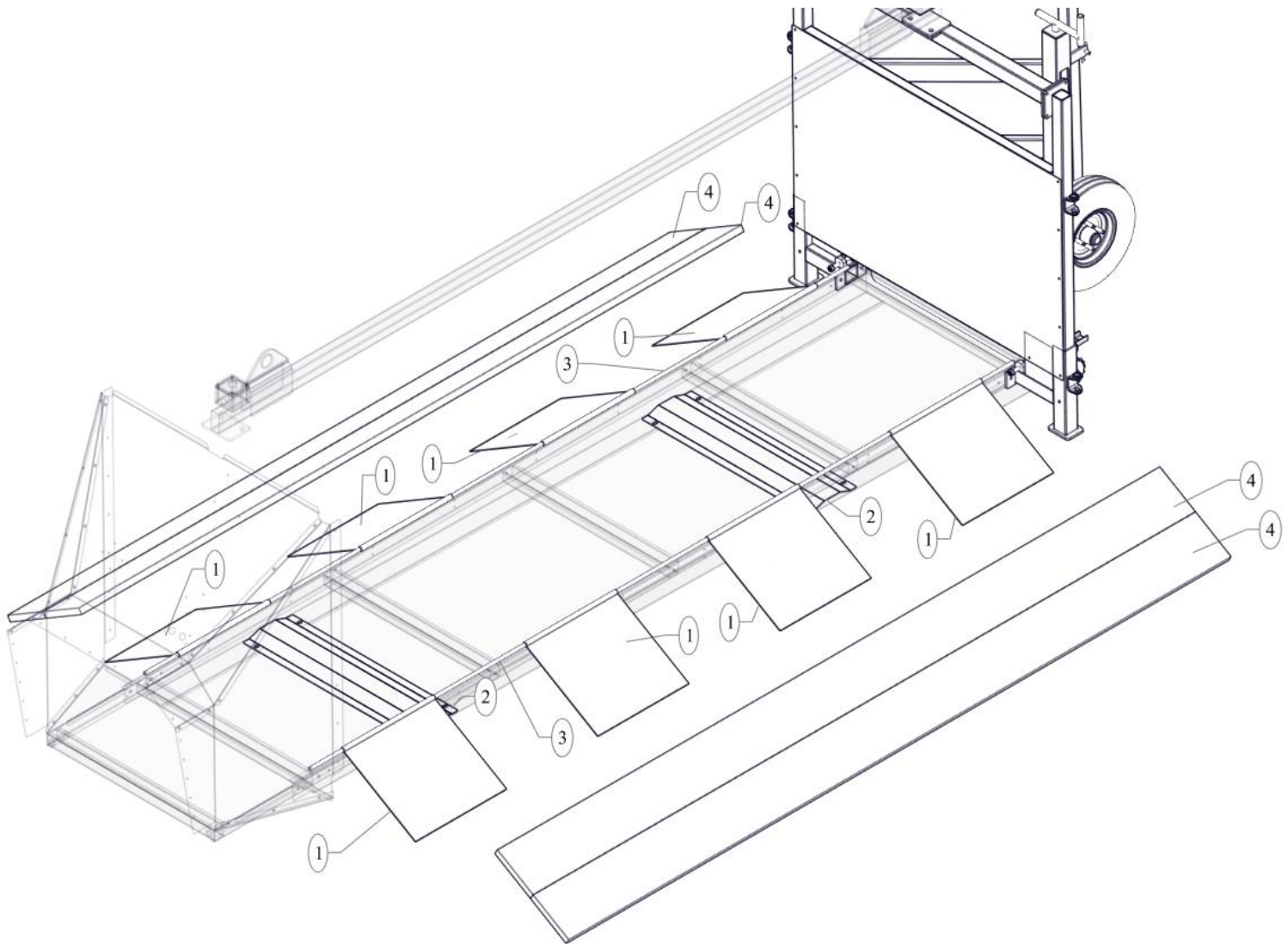
## Tab.03

ID	Code	Description	Q.ty
1	A-BOXI-010-00012	Crossbar	1
2	A-BOXI-010-00016	Welded assembly	1
3	A-BOXI-020-00010	Cover	1
4	A-BOXI-020-00011	Cover	1
5	A-BOXI-020-00012	Cover	1
6	A-BOXI-020-00013	Cover	1
7	A-BOXI-020-00017	Cover	1



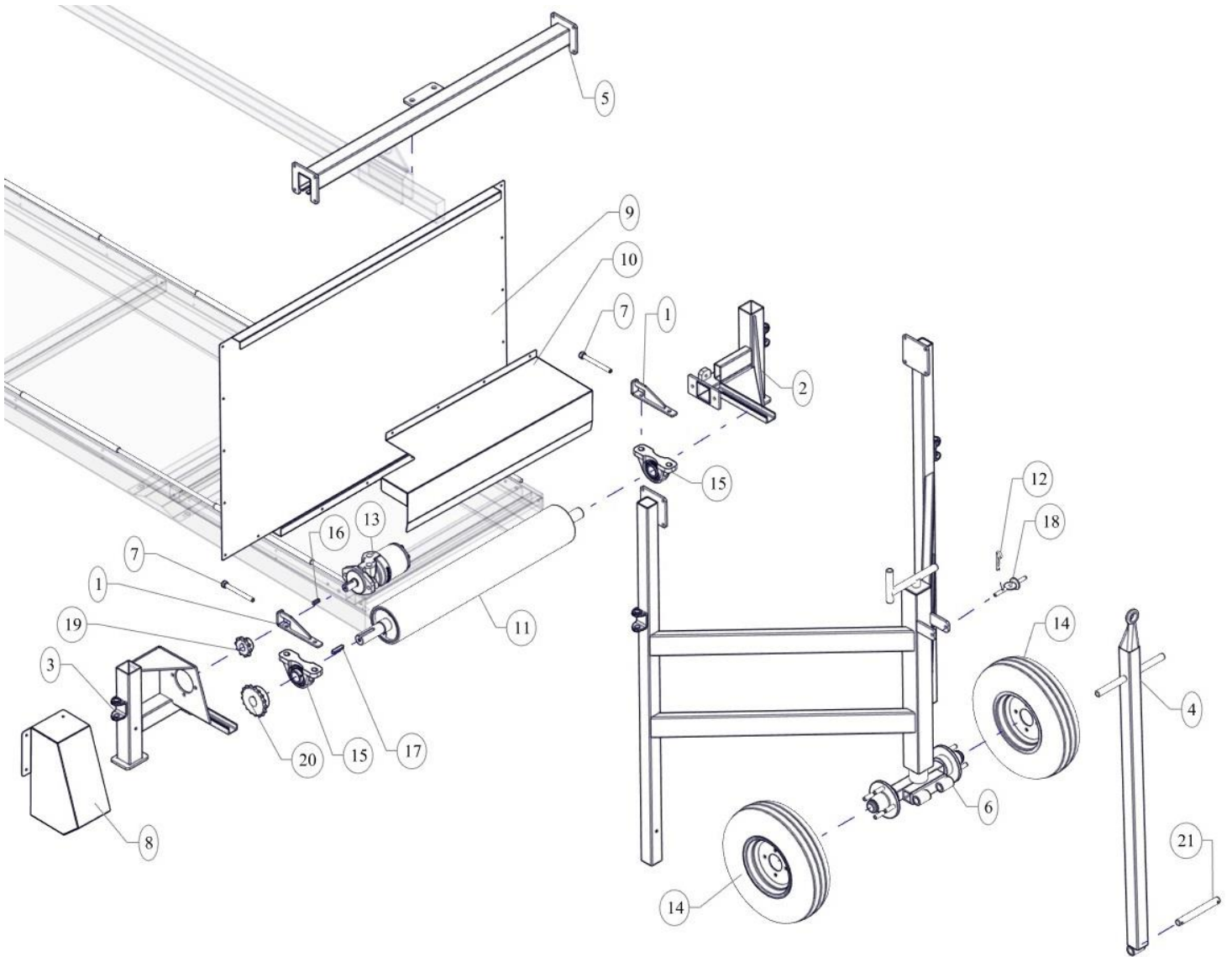
Tab.04

ID	Code	Description	Q.ty
1	C-ELET-PNO-00044	Emergency button	2
2	C-ELET-PNO-00060	Red button	2
3	C-ELET-PNO-00061	Disc	2
4	C-ELET-PNO-00068	Box	2
5	C-ELET-QUE-00118	Electric box	1
6	C-OLEO-RAC-00027	"T" Junction	1
7	C-OLEO-RAC-00156	Junction	5
8	C-OLEO-RAC-00234	Junction	1
9	C-OLEO-REG-00008	Regulator	1



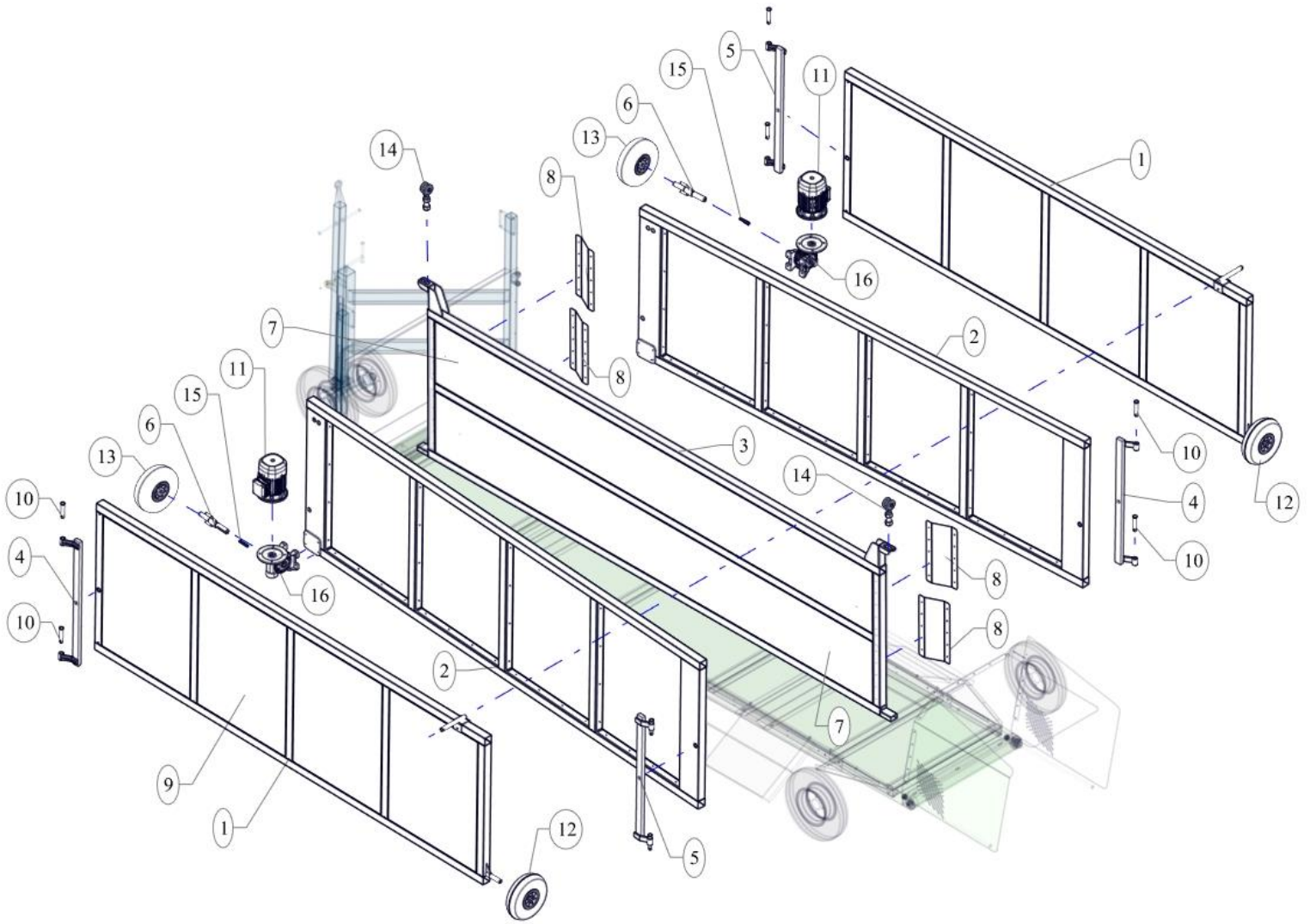
Tab.05

<b>ID</b>	<b>Code</b>	<b>Description</b>	<b>Q.ty</b>
1	A-BOXI-010-00022	Plate	8
2	A-BOXI-020-00004	Plate	2
3	A-BOXI-035-00032	Rod	2
4	A-BOXI-035-00034	Wood	4



Tab.06

ID	Code	Description	Q.ty					
1	A-BOXI-010-00009	Plate	2					
2	A-BOXI-010-00010	Welded assembly	1					
3	A-BOXI-010-00011	Welded assembly	1					
4	A-BOXI-010-00013	Welded assembly	1					
5	A-BOXI-010-00014	Crossbar	1					
6	A-BOXI-010-00015	Welded assembly	1					
7	A-BOXI-010-00023	Screw	2					
8	A-BOXI-020-00003	Guard	1					
9	A-BOXI-020-00008	Cover	1					
10	A-BOXI-020-00009	Cover	1					
11	A-BOXI-050-00002	Towing roller	1					
12	C-ECOL-COP-00001	Pin	1					
13	C-MOTO-OLE-00006	Hydraulic motor	1	→	<b>Q.ty for one cod. C-MOTO-OLE-00006</b>			
					<b>ID</b>	<b>Code</b>	<b>Description</b>	<b>Q.ty</b>
					13.1	C-ETNA-GUR-00014	Seals kit	1
14	C-RMOP-ROT-00013	Wheel	2					
15	C-SCOR-SUS-00012	Housed bearing	2					
16	C-TRAM-LNG-00004	Key	1					
17	C-TRAM-LNG-00007	Key	1					
18	G-0000-010-00009	Pin	1					
19	G-0000-040-00017	Sprocket	1					
20	G-0000-040-00028	Sprocket	1	→	<b>Q.ty for one cod. G-0000-040-00028</b>			
					<b>ID</b>	<b>Code</b>	<b>Description</b>	<b>Q.ty</b>
					20.1	C-TRAM-CAT-00005	Chain	mt
					20.2	C-TRAM-CAT-00006	Chain link	1
					20.3	C-TRAM-CAT-00027	Half chain link	1
21	G-0000-030-00003	Pin	1					



Tab.07

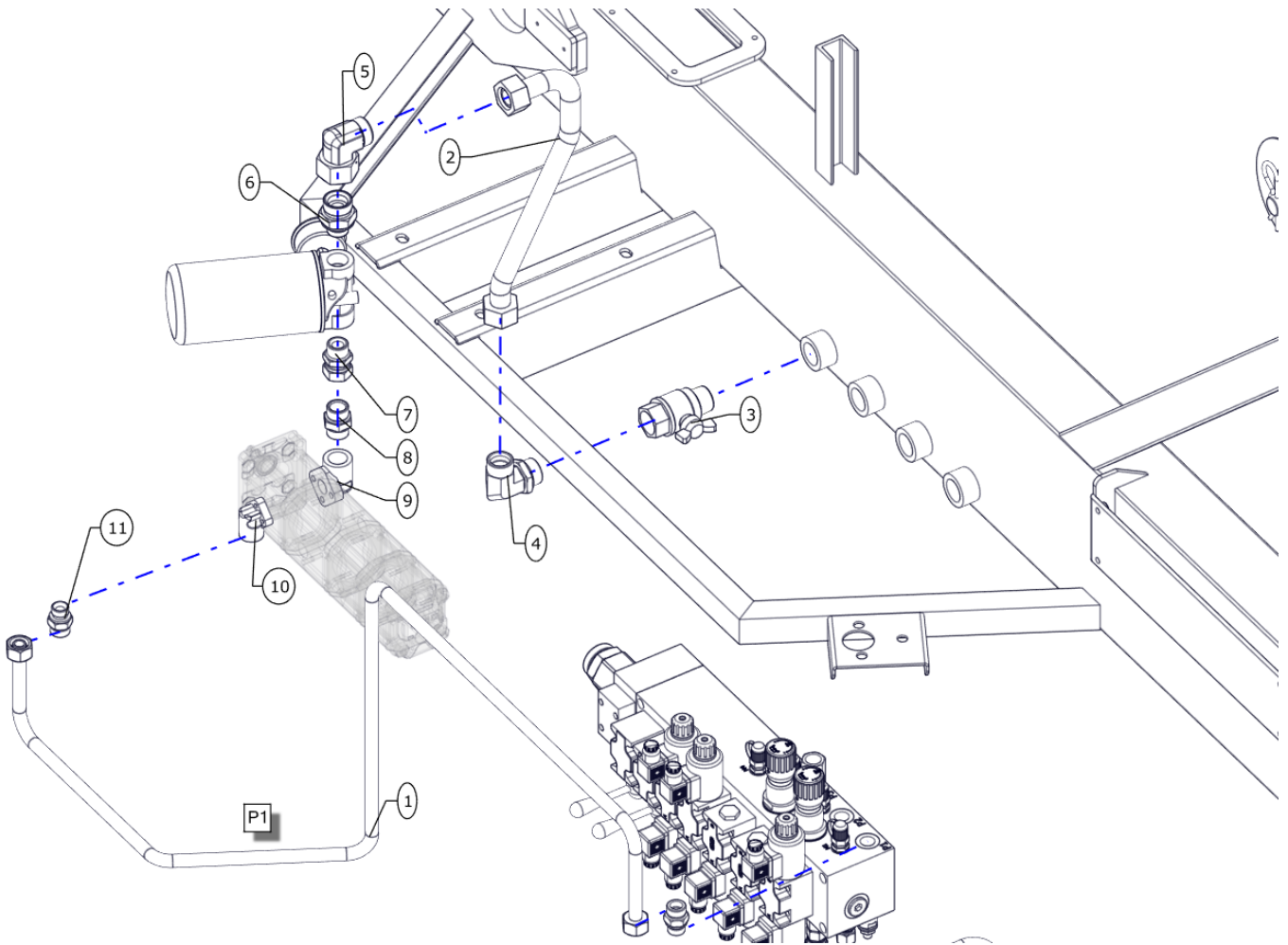
ID	Code	Description	Q.ty
1	A-BOXI-010-00001	Door frame	2
2	A-BOXI-010-00002	Door frame	2
3	A-BOXI-010-00003	Door frame	1
4	A-BOXI-010-00004	Welded assembly	2
5	A-BOXI-010-00005	Welded assembly	2
6	A-BOXI-010-00021	Shaft	2
7	A-BOXI-020-00006	Plate	2
8	A-BOXI-020-00007	Plate	4
9	A-TA10-020-00073	Plate	16
10	C-ECOL-PER-00009	Pin	8
11	C-MOTO-ELE-00002	Electric motor	2
12	C-RMOP-ROT-00019	Wheel for manul door	2
13	C-RMOP-ROT-00020	Wheel for motorized door	2
14	C-SCOR-PAT-00001	Monorail cart	2
15	C-TRAM-LNG-00003	Key	2
16	C-TRAM-RID-00005	Reducer	2
	<b>C-ELET-QUE-00123</b>	<b>Electric box for door movimentation</b>	<b>2</b>

## **Section 05**

- **Hydraulic circuit**

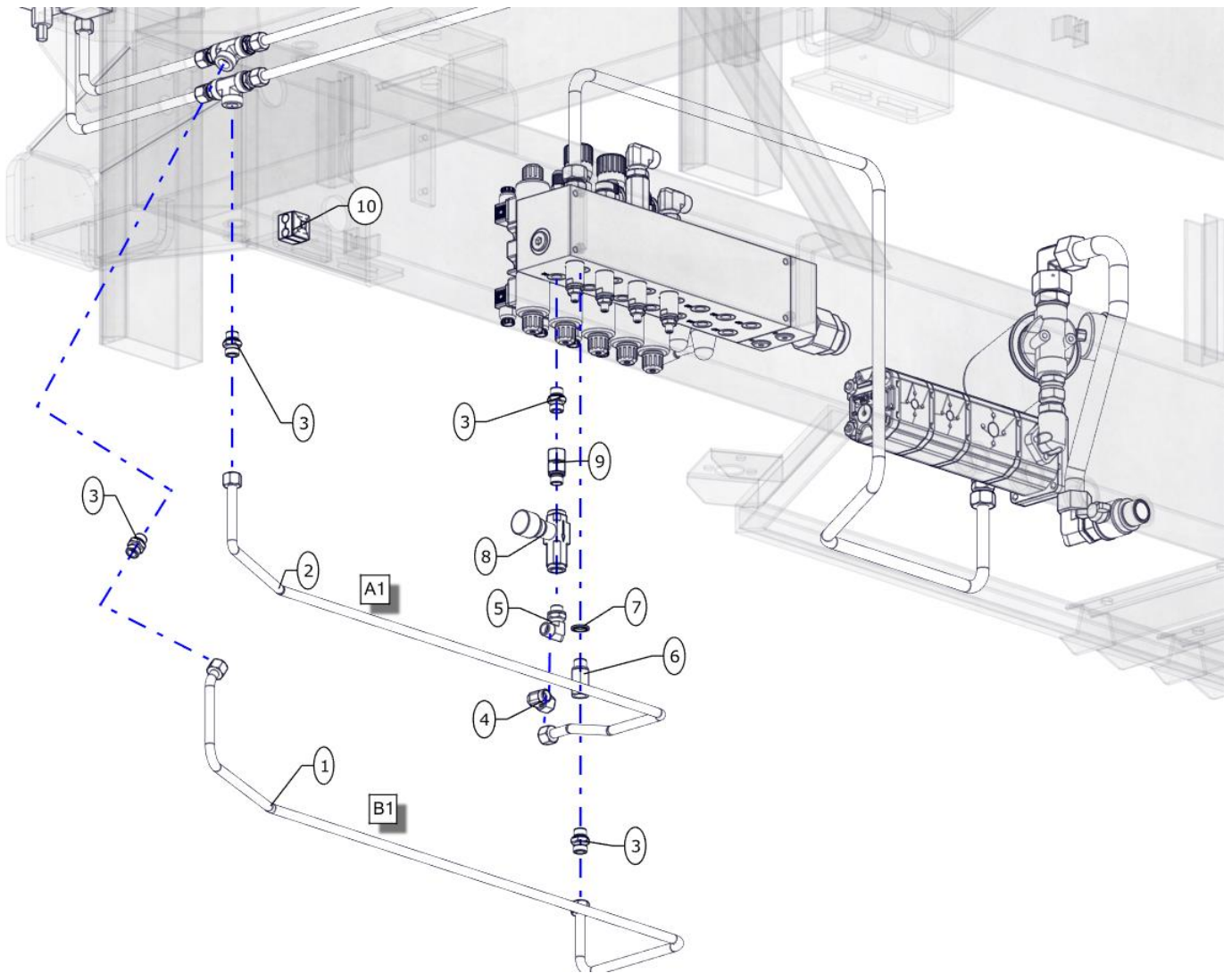
- Frontal uprising circuit \_\_\_\_\_ Pag.72
- Central channel and box engines circuit \_\_\_\_\_ Pag.80
- Caging belt engines circuit \_\_\_\_\_ Pag.96
- Caging belt cylinder circuit \_\_\_\_\_ Pag.108
- Wheels engines circuit \_\_\_\_\_ Pag.114
- Steering cylinder circuit \_\_\_\_\_ Pag.122
- Joint cylinders circuit \_\_\_\_\_ Pag.124
- Feet cylinders circuit \_\_\_\_\_ Pag.132
- Tank circuit \_\_\_\_\_ Pag.140
- Box circuit \_\_\_\_\_ Pag.142





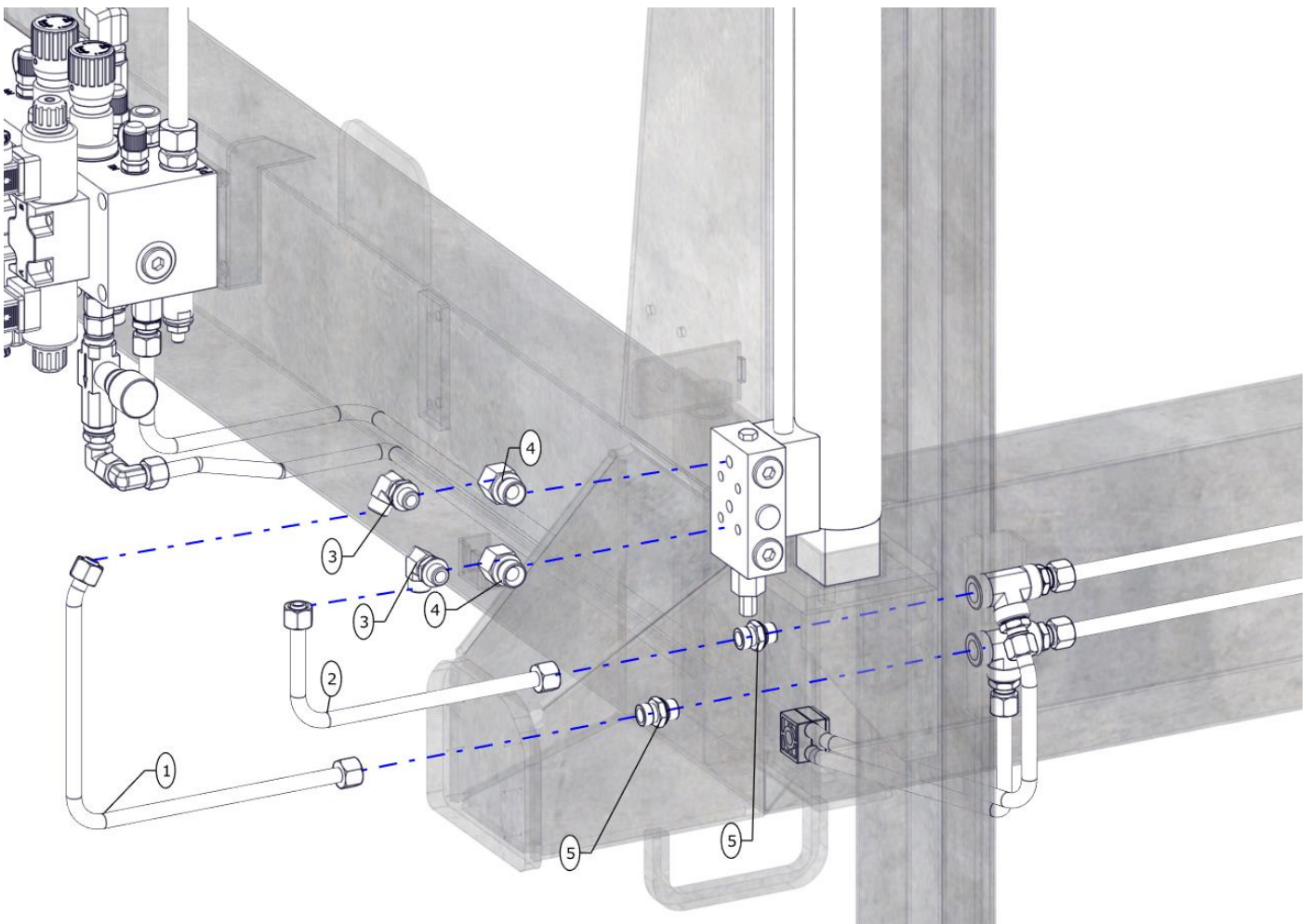
Tab.01

<b>ID</b>	<b>Code</b>	<b>Description</b>	<b>Q.ty</b>
1	A-TA80-103-00017	Rigid pipe	1
2	A-TA80-103-00013	Rigid pipe	1
3	C-OLEO-VAL-00115	Valve	1
4	C-OLEO-RAC-00076	Junction	1
5	C-OLEO-RAC-00277	Junction	1
6	C-OLEO-RAC-00046	Junction	1
7	C-OLEO-RAC-00232	Junction	1
8	C-OLEO-RAC-00159	Junction	1
9	C-OLEO-RAC-00351	Junction	1
10	C-OLEO-RAC-00348	Junction	1
11	C-OLEO-RAC-00041	Junction	2



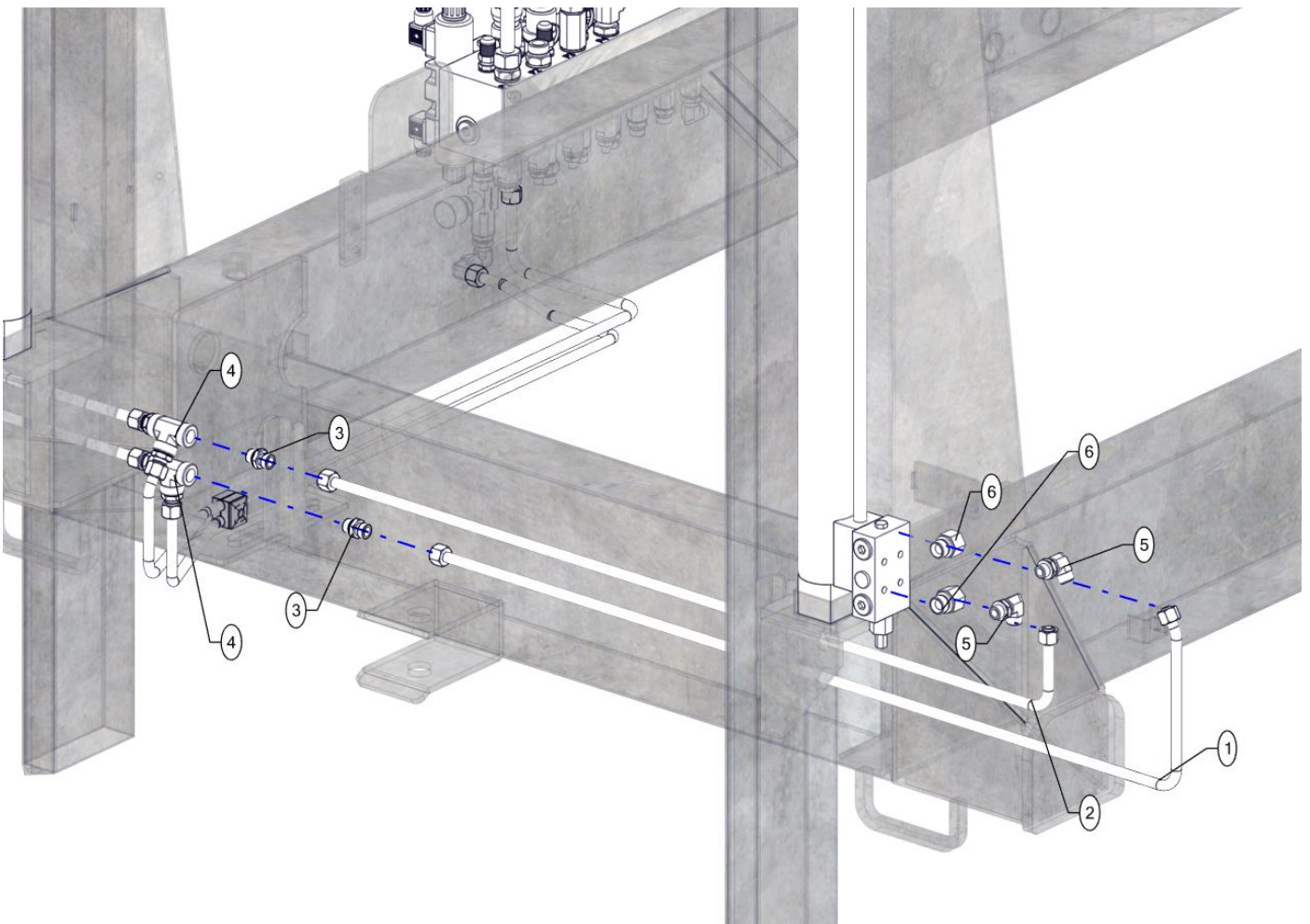
Tab.02

<b>ID</b>	<b>Code</b>	<b>Description</b>	<b>Q.ty</b>
1	A-TA80-103-00024	Ridig pipe	1
2	A-TA80-103-00025	Ridig pipe	1
3	C-OLEO-RAC-00037	Junction	4
4	C-OLEO-RAC-00621	Junction	1
5	C-OLEO-RAC-00078	Junction	1
6	C-OLEO-RAC-00109	Junction	1
7	C-OLEO-RAC-00103	Junction	1
8	C-OLEO-REG-00012	Hydraulic regulator	1
9	C-OLEO-RAC-00198	Junction	1
10	C-ECOL-STA-00016	Bracket	1



Tab.03

<b>ID</b>	<b>Code</b>	<b>Description</b>	<b>Q.ty</b>
1	A-TA80-103-00028	Rigid pipe	1
2	A-TA80-103-00026	Rigid pipe	1
3	C-OLEO-RAC-00078	Junction	2
4	C-OLEO-RAC-00211	Junction	2
5	C-OLEO-RAC-00037	Junction	2



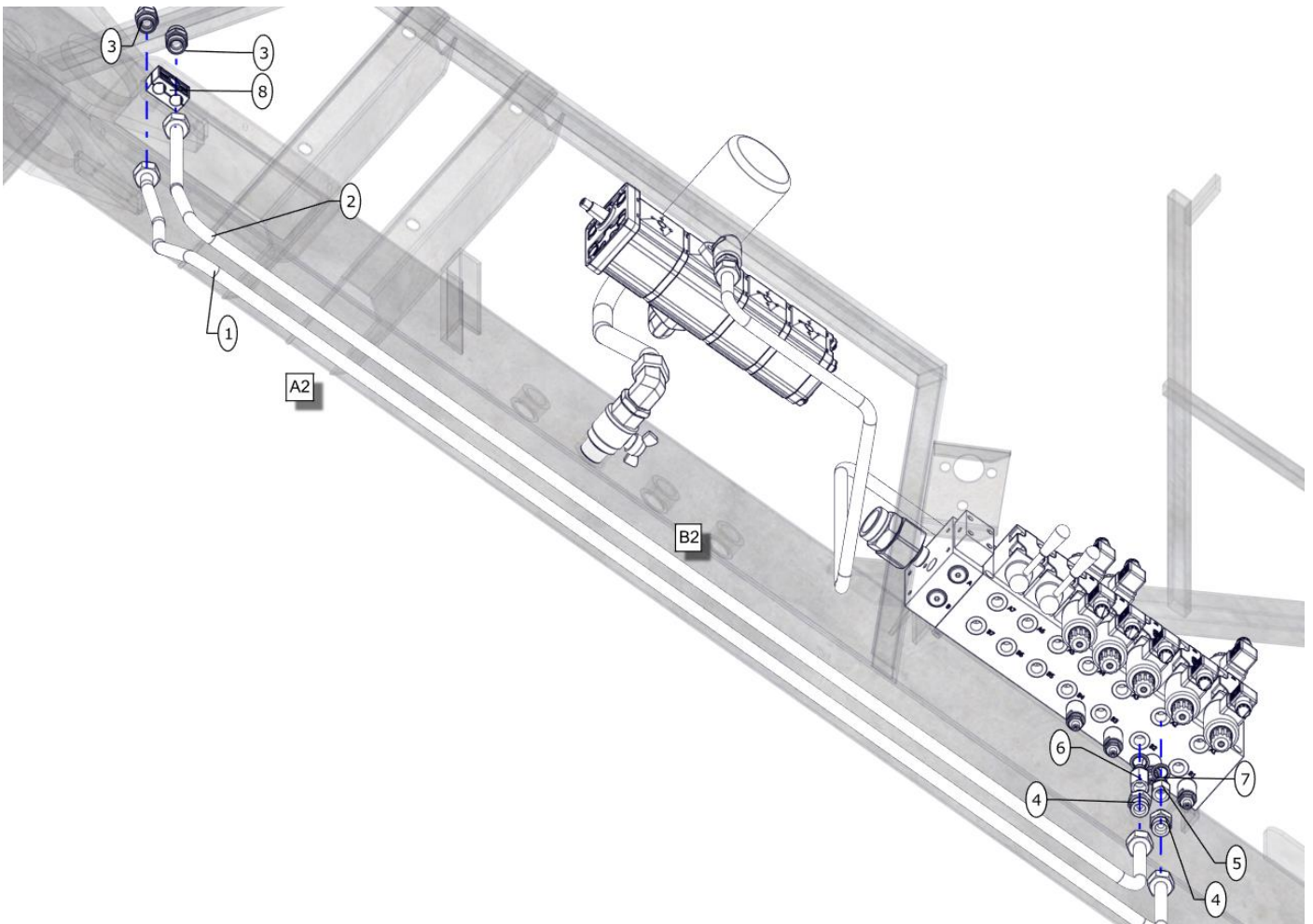
Tab.04

<b>ID</b>	<b>Code</b>	<b>Description</b>	<b>Q.ty</b>
1	A-TA80-103-00029	Rigid pipe	1
2	A-TA80-103-00027	Rigid pipe	1
3	C-OLEO-RAC-00037	Junction	2
4	C-OLEO-RAC-00026	Junction	2
5	C-OLEO-RAC-00078	Junction	2
6	C-OLEO-RAC-00211	Junction	2



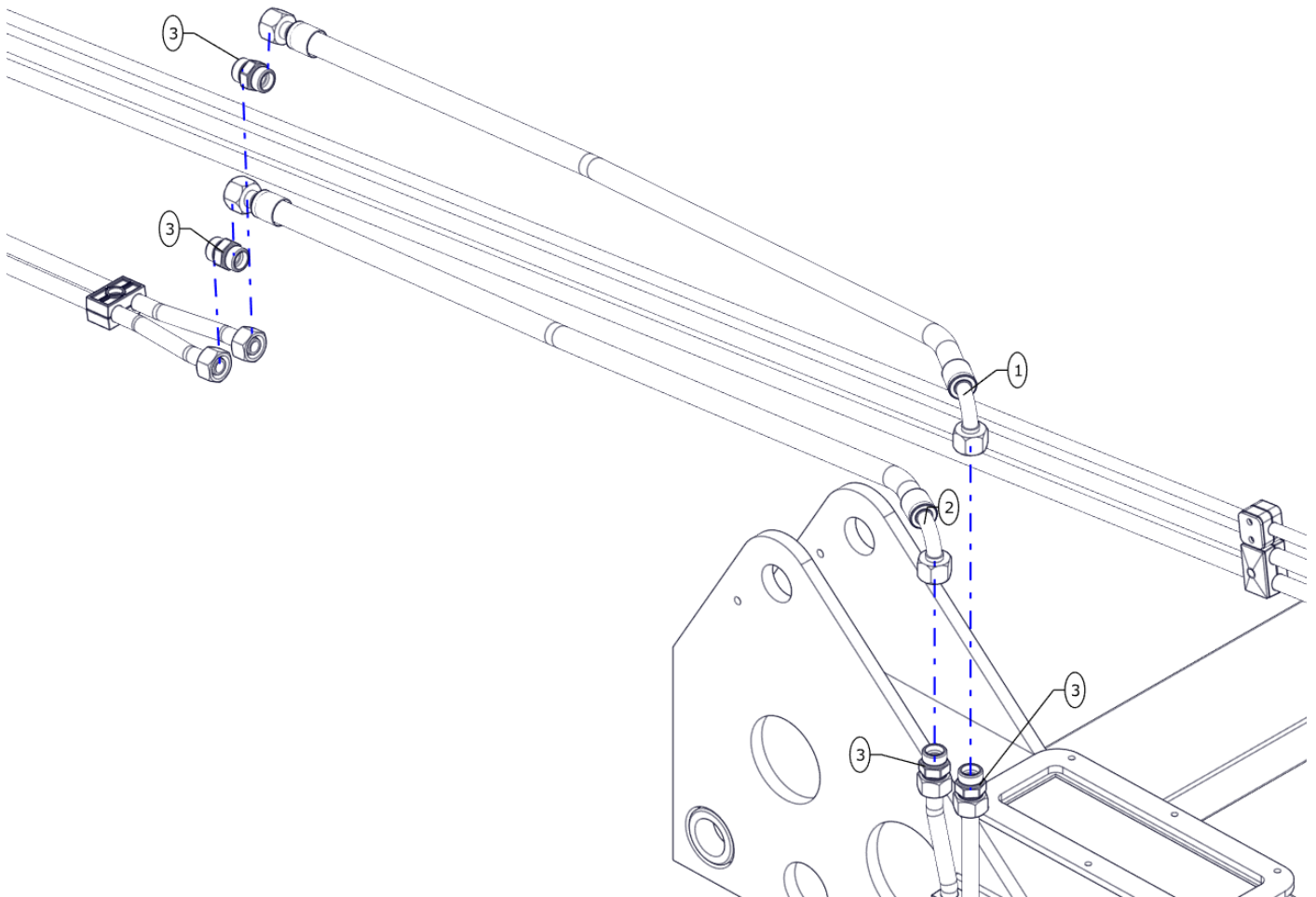
Tab.01

<b>ID</b>	<b>Code</b>	<b>Description</b>	<b>Q.ty</b>
1	A-TA80-103-00016	Rigid pipe	1
2	A-TA80-103-00012	Rigid pipe	1
3	C-OLEO-VAL-00115	Valve	1
4	C-OLEO-RAC-00076	Junction	1
5	C-OLEO-RAC-00277	Junction	1
6	C-OLEO-RAC-00046	Junction	1
7	C-OLEO-RAC-00104	Junction	1
8	C-OLEO-RAC-00232	Junction	1
9	C-OLEO-RAC-00159	Junction	1
10	C-OLEO-RAC-00351	Junction	1
11	C-OLEO-RAC-00350	Junction	1
12	C-OLEO-RAC-00041	Junction	2



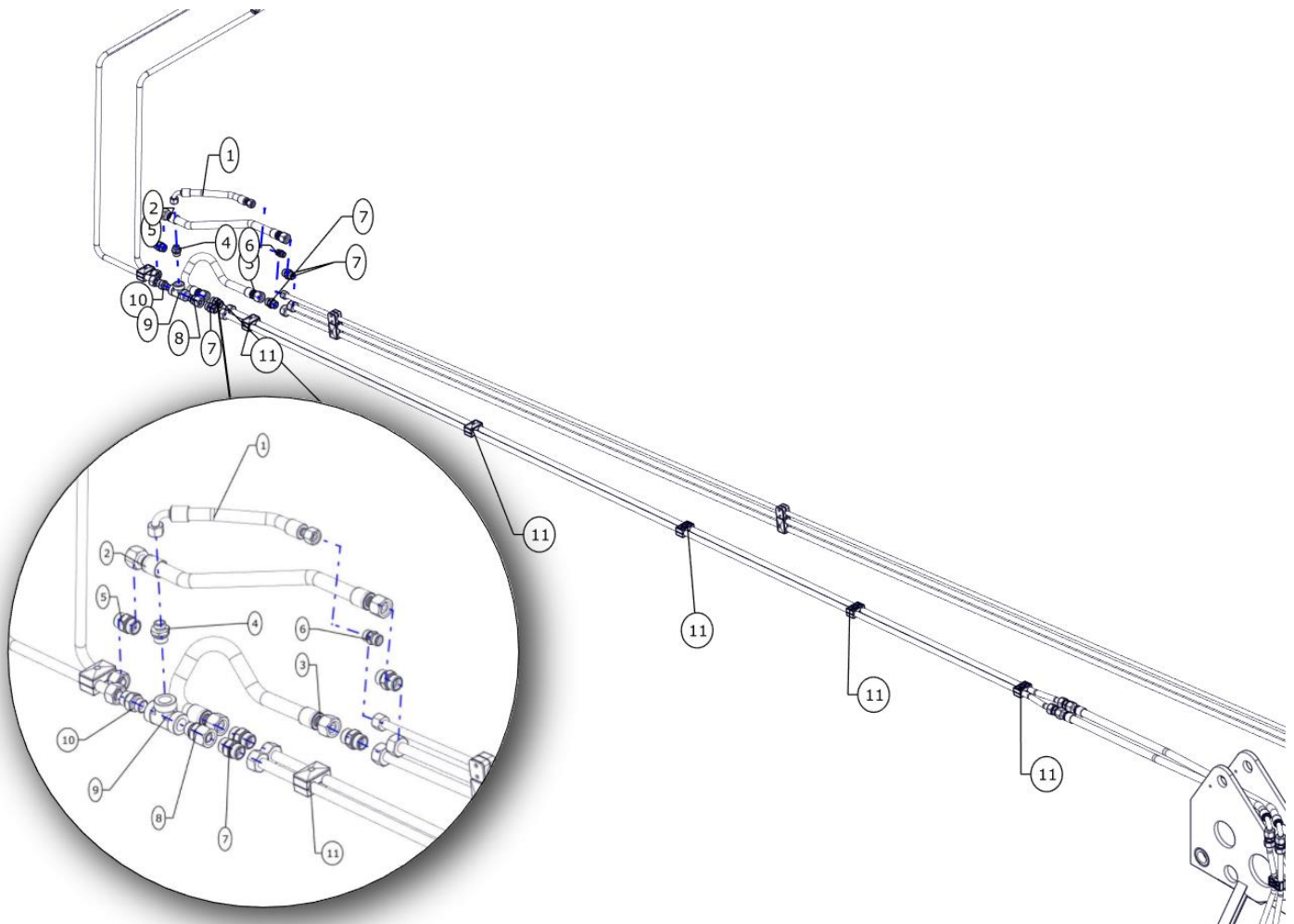
Tab.02

<b>ID</b>	<b>Code</b>	<b>Description</b>	<b>Q.ty</b>
1	A-TA80-103-00035	Rigid pipe	1
2	A-TA80-103-00034	Rigid pipe	1
3	C-OLEO-RAC-00176	Junction	2
4	C-OLEO-RAC-00040	Junction	2
5	C-OLEO-RAC-00110	Junction	1
6	C-OLEO-RAC-00109	Junction	1
7	C-OLEO-RAC-00103	Junction	2
8	C-ECOL-STA-00017	Bracket	1



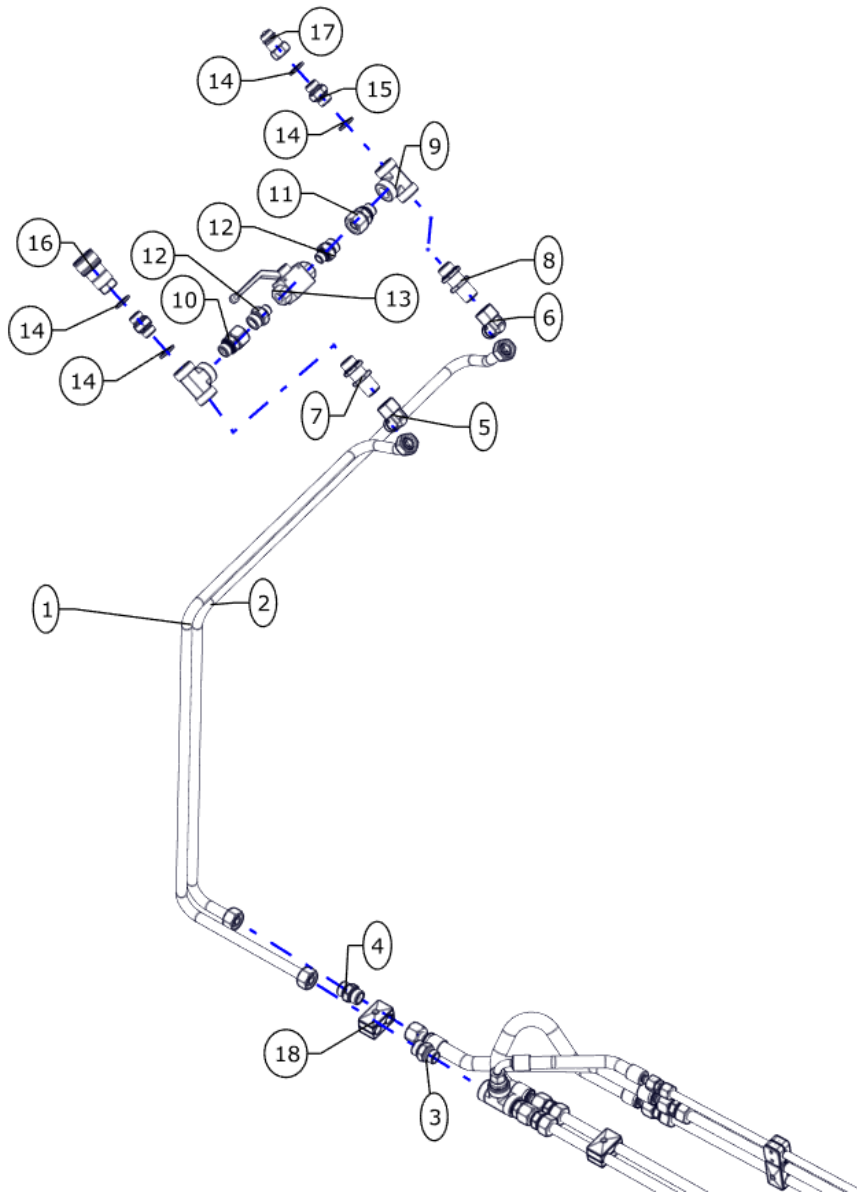
Tab.03

<b>ID</b>	<b>Code</b>	<b>Description</b>	<b>Q.ty</b>
1	A-TA80-102-00057	Hose	1
2	A-TA80-102-00058	Hose	1
3	C-OLEO-RAC-00176	Junction	4



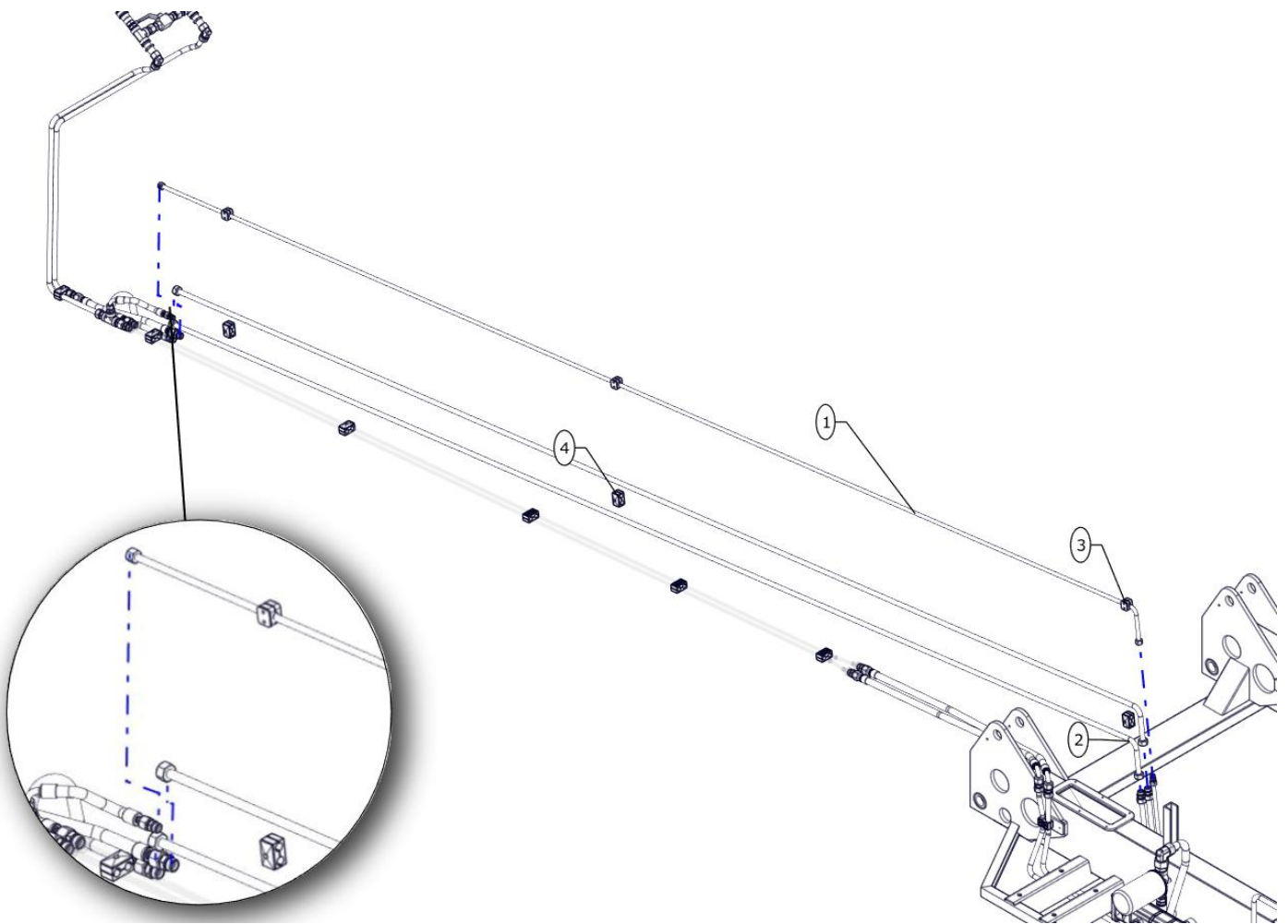
Tab.04

<b>ID</b>	<b>Code</b>	<b>Description</b>	<b>Q.ty</b>
1	A-TA80-102-00049	Hose	1
2	A-TA80-102-00059	Hose	1
3	A-TA80-102-00060	Hose	1
4	C-OLEO-RAC-00038	Junction	1
5	C-OLEO-RAC-00176	Junction	1
6	C-OLEO-RAC-00185	Junction	1
7	C-OLEO-RAC-00176	Junction	4
8	C-OLEO-RAC-00051	Junction	1
9	C-OLEO-RAC-00027	Junction	1
10	C-OLEO-RAC-00041	Junction	1
11	C-ECOL-STA-00017	Bracket	6



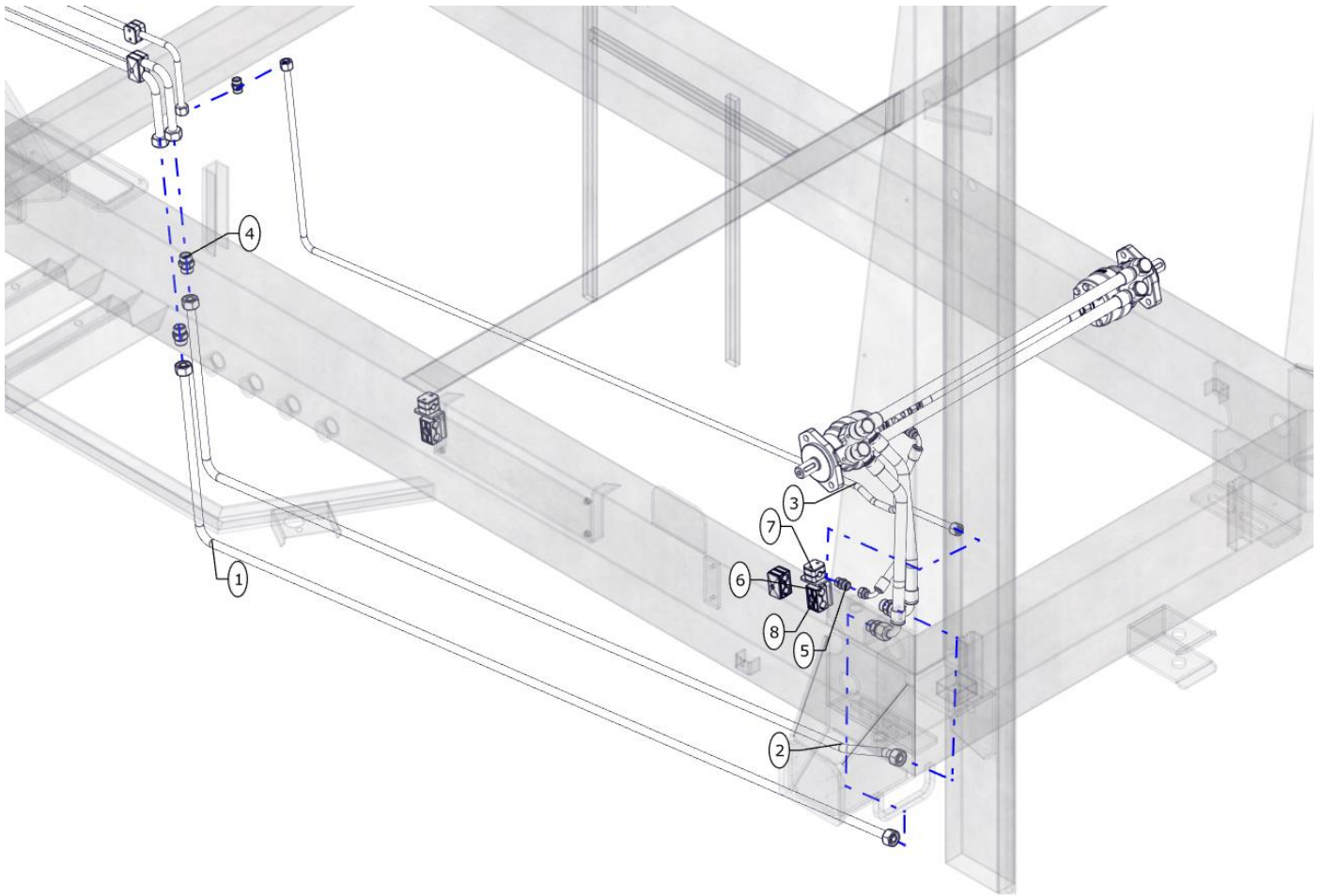
Tab.05

<b>ID</b>	<b>Code</b>	<b>Description</b>	<b>Q.ty</b>
1	A-TA80-103-00044	Rigid pipe	1
2	A-TA80-103-00041	Rigid pipe	1
3	C-OLEO-RAC-00041	Junction	1
4	C-OLEO-RAC-00176	Junction	1
5	C-OLEO-RAC-00671	Junction	1
6	C-OLEO-RAC-00671	Junction	1
7	C-OLEO-RAC-00003	Junction	1
8	C-OLEO-RAC-00003	Junction	1
9	C-OLEO-RAC-00027	Junction	2
10	C-OLEO-RAC-00051	Junction	1
11	C-OLEO-RAC-00051	Junction	1
12	C-OLEO-RAC-00040	Junction	2
13	C-OLEO-VAL-00037	Hydraulic Valve	1
14	C-OLEO-RAC-00105	Junction	4
15	C-OLEO-RAC-00156	Junction	2
16	C-OLEO-RAC-00384	Junction	1
17	C-OLEO-RAC-00381	Junction	1
18	C-ECOL-STA-00017	Bracket	1



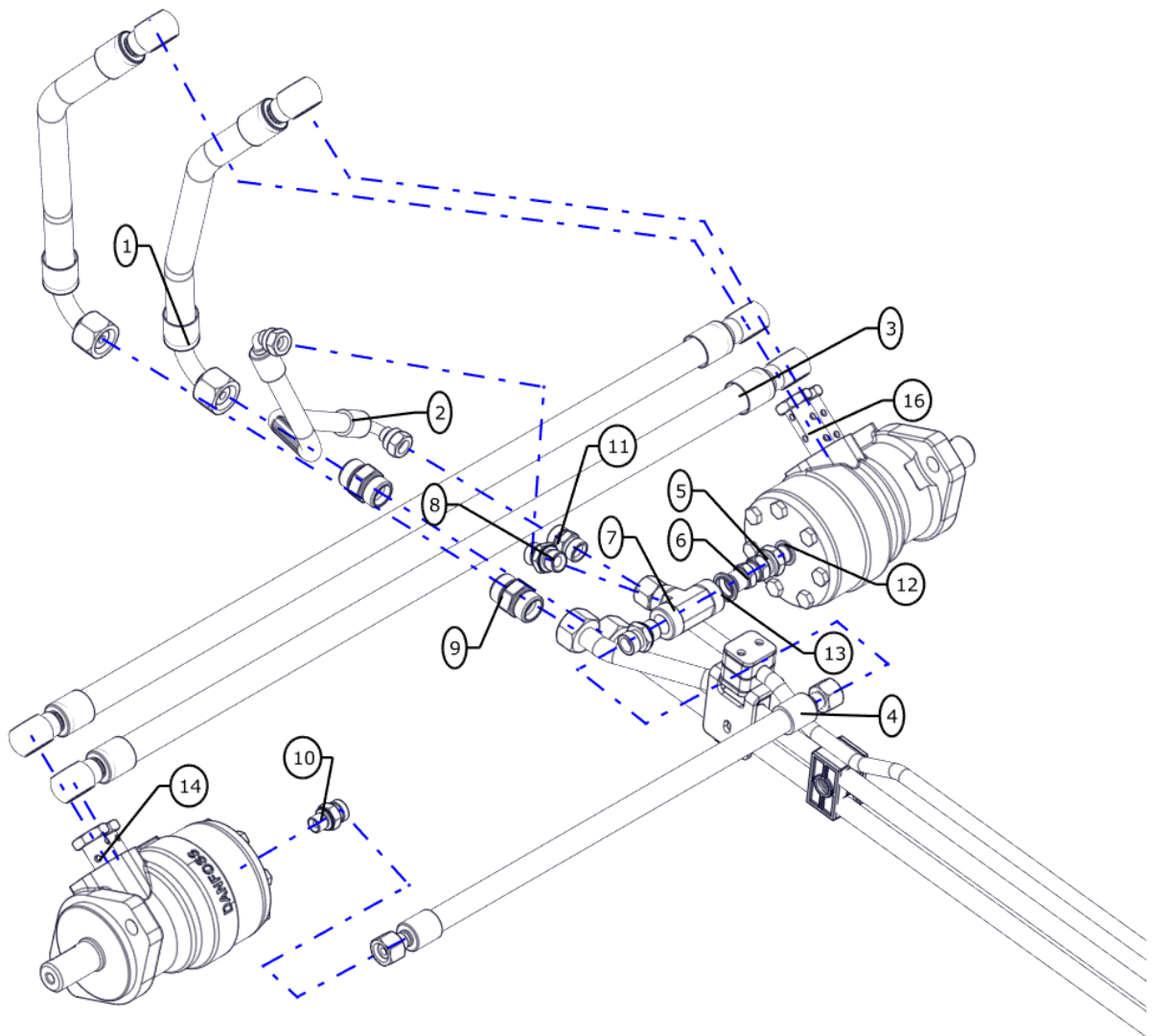
Tab.06

<b>ID</b>	<b>Code</b>	<b>Description</b>	<b>Q.ty</b>
1	A-TA80-103-00047	Rigid pipe	1
2	A-TA80-103-00045	Rigid pipe	2
3	C-ECOL-STA-00015	Bracket	3
4	C-ECOL-STA-00012	Bracket	3



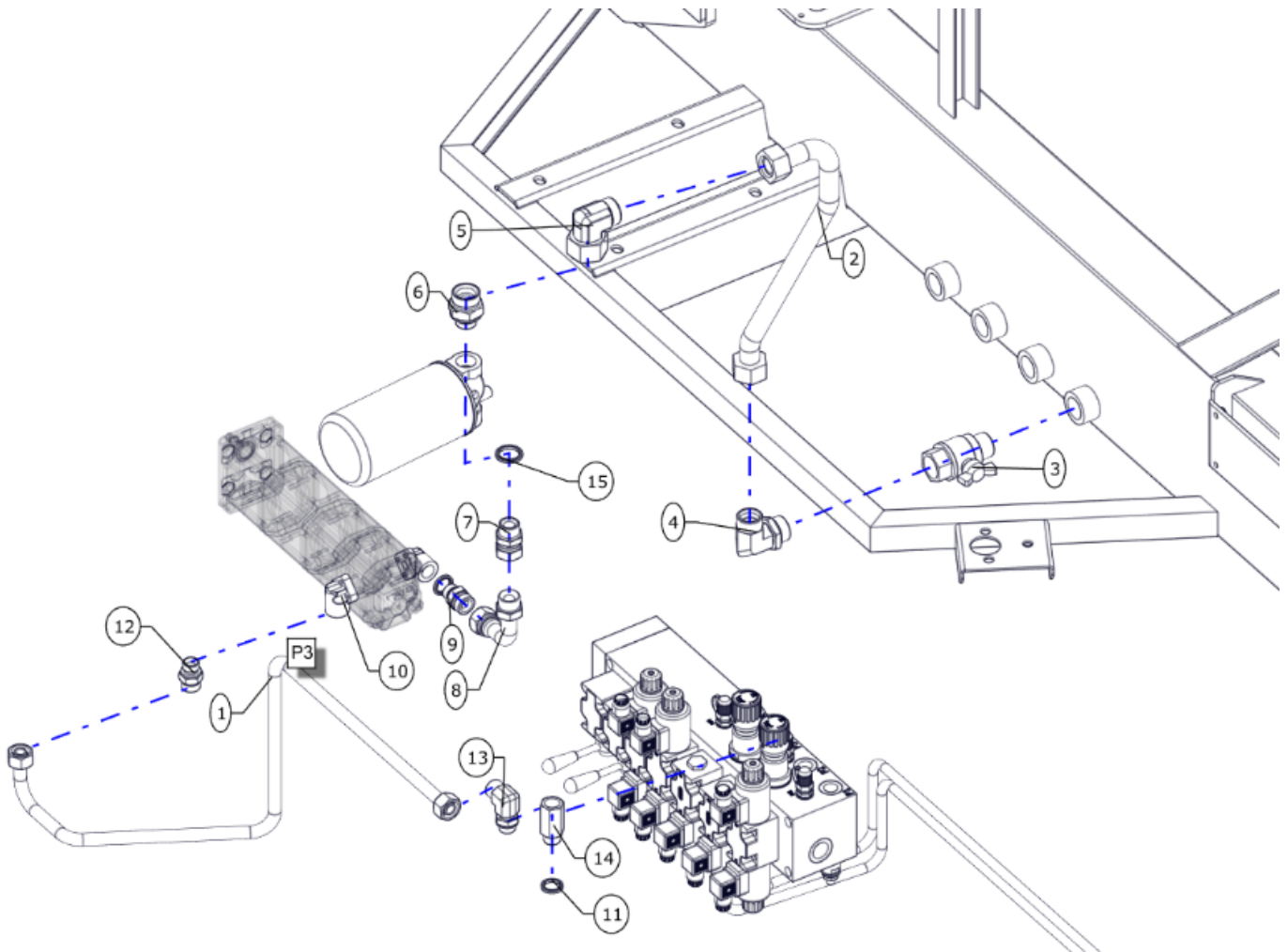
Tab.07

<b>ID</b>	<b>Code</b>	<b>Description</b>	<b>Q.ty</b>
1	A-TA80-103-00062	Rigid pipe	1
2	A-TA80-103-00063	Rigid pipe	1
3	A-TA80-103-00064	Rigid pipe	1
4	C-OLEO-RAC-00176	Junction	4
5	C-OLEO-RAC-00185	Junction	2
6	A-TA80-020-00416	Plate	2
7	C-ECOL-STA-00015	Bracket	2
8	C-ECOL-STA-00012	Bracket	3



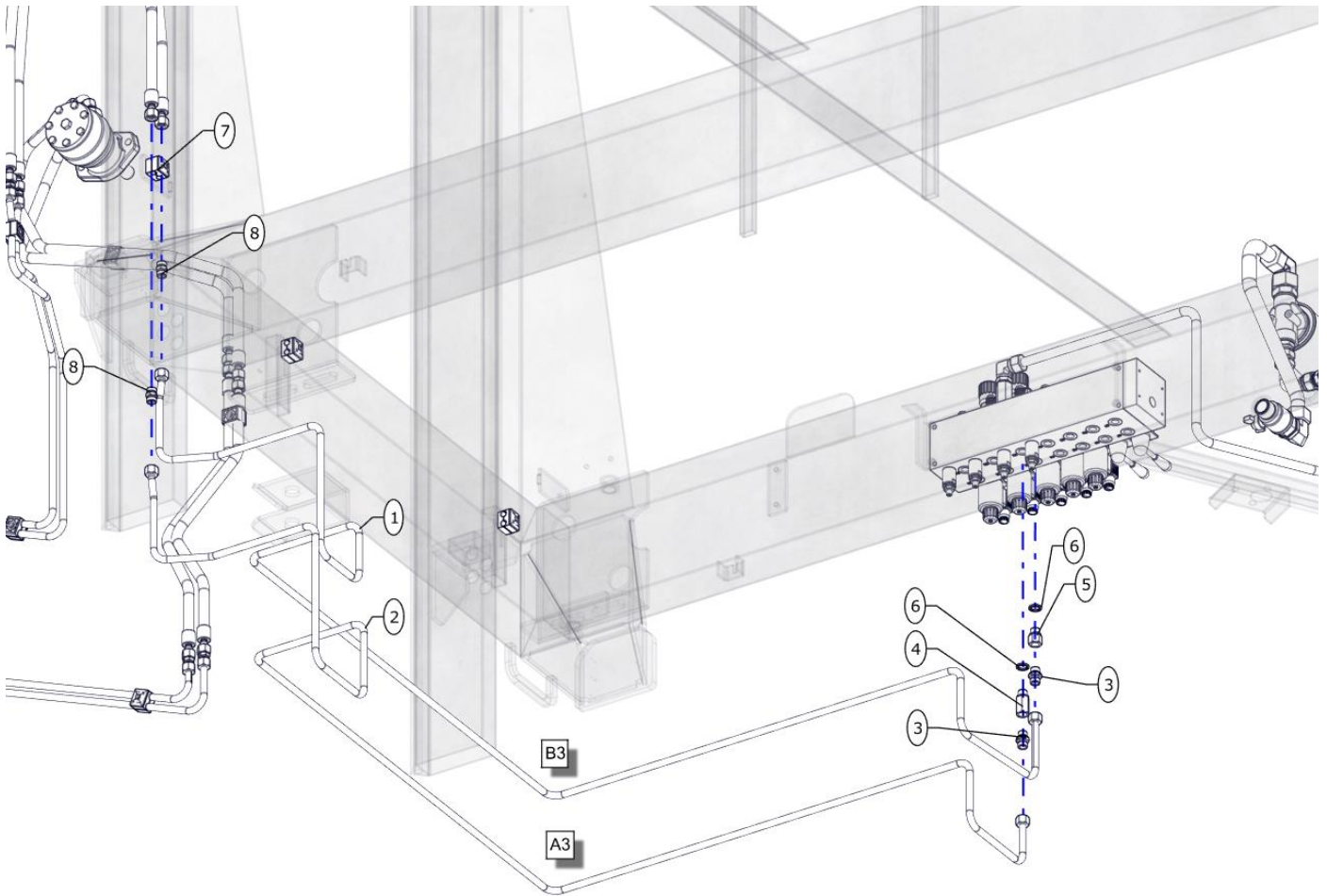
Tab.08

<b>ID</b>	<b>Code</b>	<b>Description</b>	<b>Q.ty</b>
1	A-TA80-102-00065	Hose	2
2	A-TA80-102-00066	Hose	1
3	A-TA80-102-00036	Hose	2
4	A-TA80-102-00061	Hose	1
5	C-OLEO-RAC-00151	Junction	1
6	C-OLEO-RAC-00236	Junction	1
7	C-OLEO-RAC-00026	Junction	1
8	C-OLEO-RAC-00037	Junction	2
9	C-OLEO-RAC-00176	Junction	2
10	C-OLEO-RAC-00039	Junction	1
11	C-OLEO-RAC-00185	Junction	1
12	C-OLEO-RAC-00100	Junction	1
13	C-OLEO-RAC-00103	Junction	1
14	C-OLEO-RAC-00016	Junction	2
16	C-OLEO-RAC-00017	Junction	2



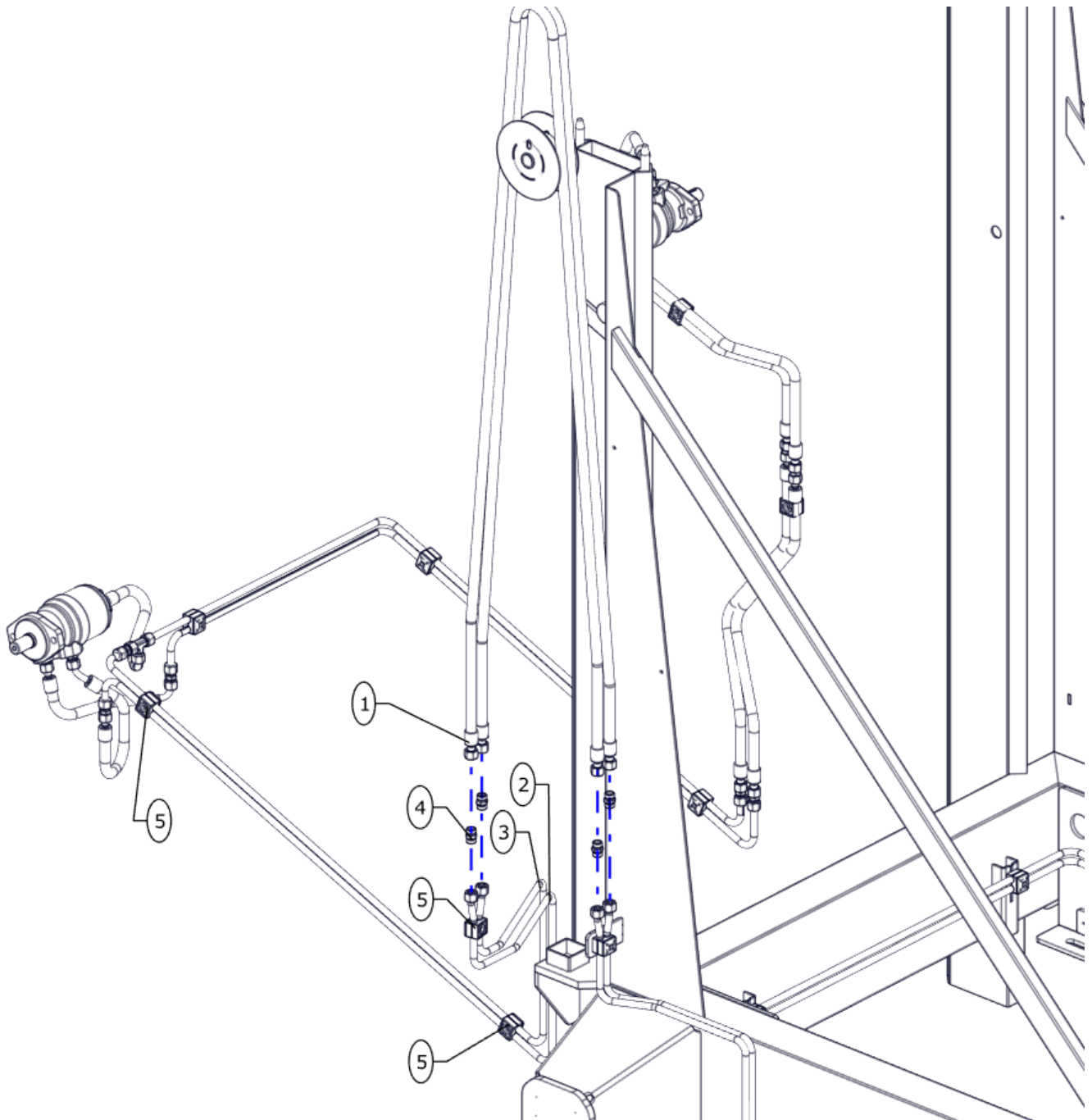
Tab.01

<b>ID</b>	<b>Code</b>	<b>Description</b>	<b>Q.ty</b>
1	A-TA80-103-00015	Rigid pipe	1
2	A-TA80-103-00009	Rigid pipe	1
3	C-OLEO-VAL-00115	Valve	1
4	C-OLEO-RAC-00076	Junction	1
5	C-OLEO-RAC-00277	Junction	1
6	C-OLEO-RAC-00046	Junction	1
7	C-OLEO-RAC-00232	Junction	1
8	C-OLEO-RAC-00297	Junction	1
9	C-OLEO-RAC-00157	Junction	1
10	C-OLEO-RAC-00348	Junction	2
11	C-OLEO-RAC-00105	Junction	2
12	C-OLEO-RAC-00041	Junction	1
13	C-OLEO-RAC-00079	Junction	1
14	C-OLEO-RAC-00111	Junction	1
15	C-OLEO-RAC-00104	Junction	1



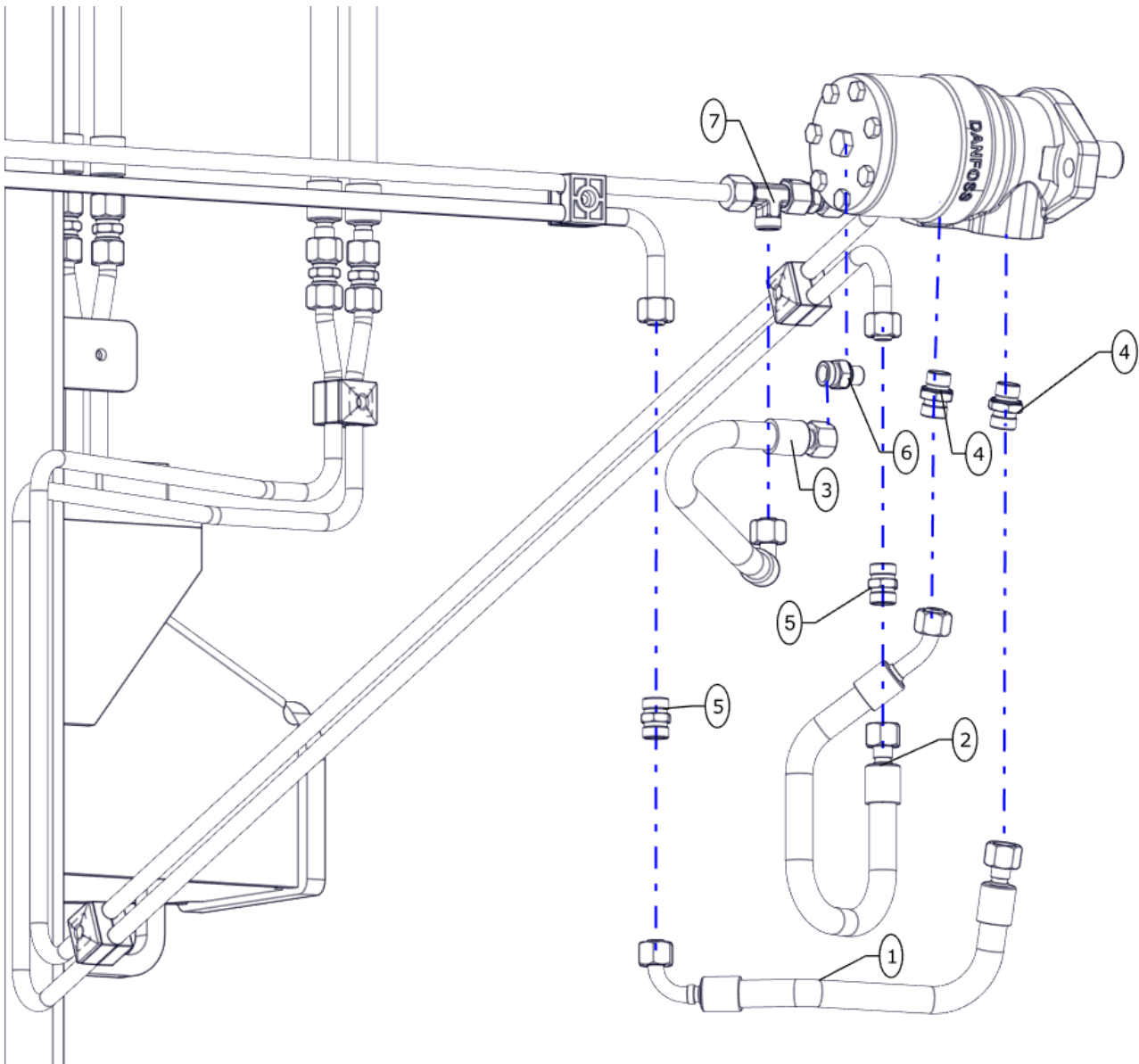
Tab.02

<b>ID</b>	<b>Code</b>	<b>Description</b>	<b>Q.ty</b>
1	A-TA80-103-00037	Rigid pipe	1
2	A-TA80-103-00036	Rigid pipe	1
3	C-OLEO-RAC-00037	Junction	2
4	C-OLEO-RAC-00109	Junction	1
5	C-OLEO-RAC-00110	Junction	1
6	C-OLEO-RAC-00103	Junction	2
7	C-ECOL-STA-00016	Bracket	1
8	C-OLEO-RAC-00185	Junction	2



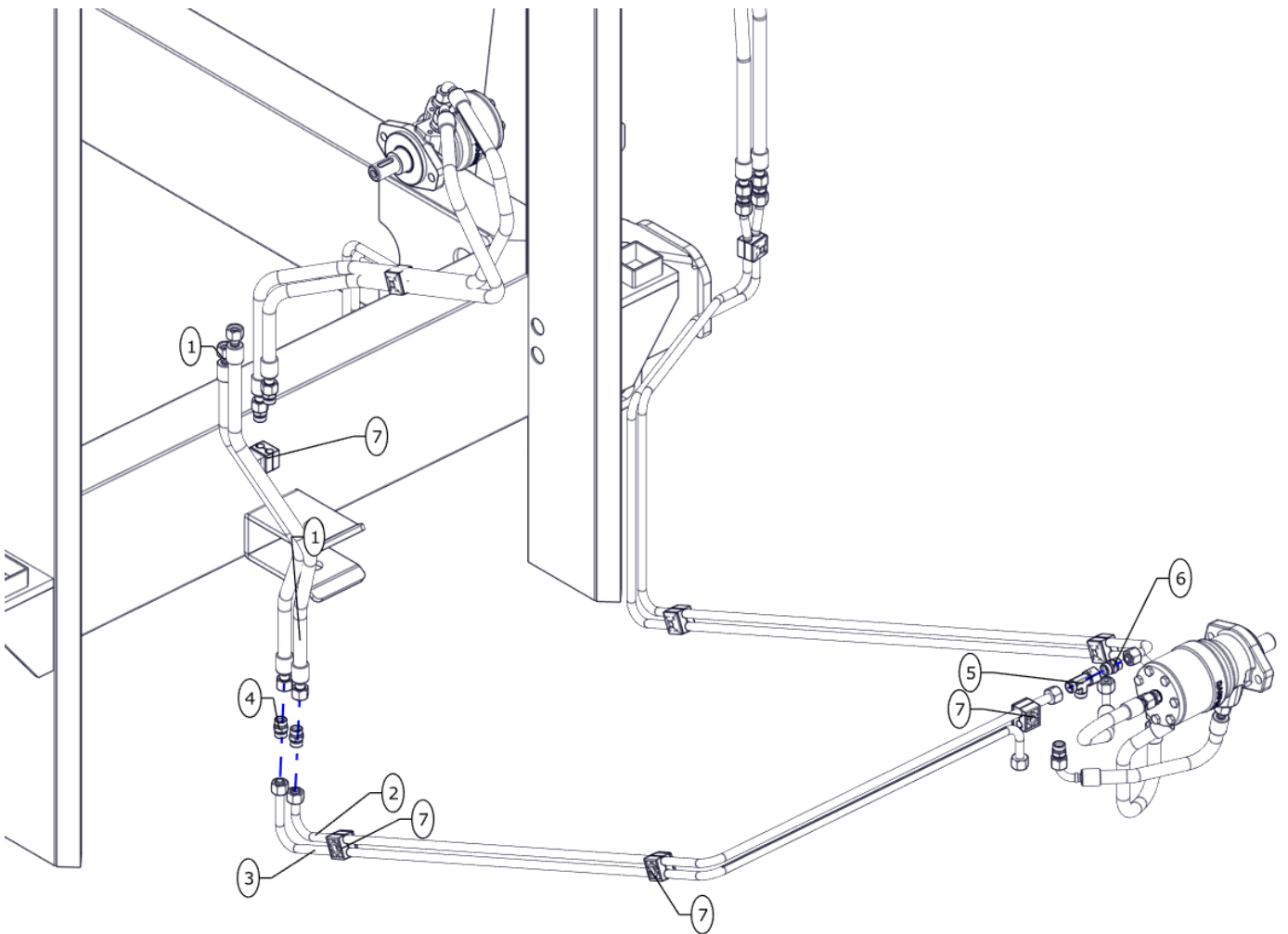
Tab.03

<b>ID</b>	<b>Code</b>	<b>Description</b>	<b>Q.ty</b>
1	A-TA80-102-00047	Hose	2
2	A-TA80-103-00048	Rigid pipe	1
3	A-TA80-103-00049	Rigid pipe	1
4	C-OLEO-RAC-00185	Junction	2
5	C-ECOL-STA-00016	Bracket	3



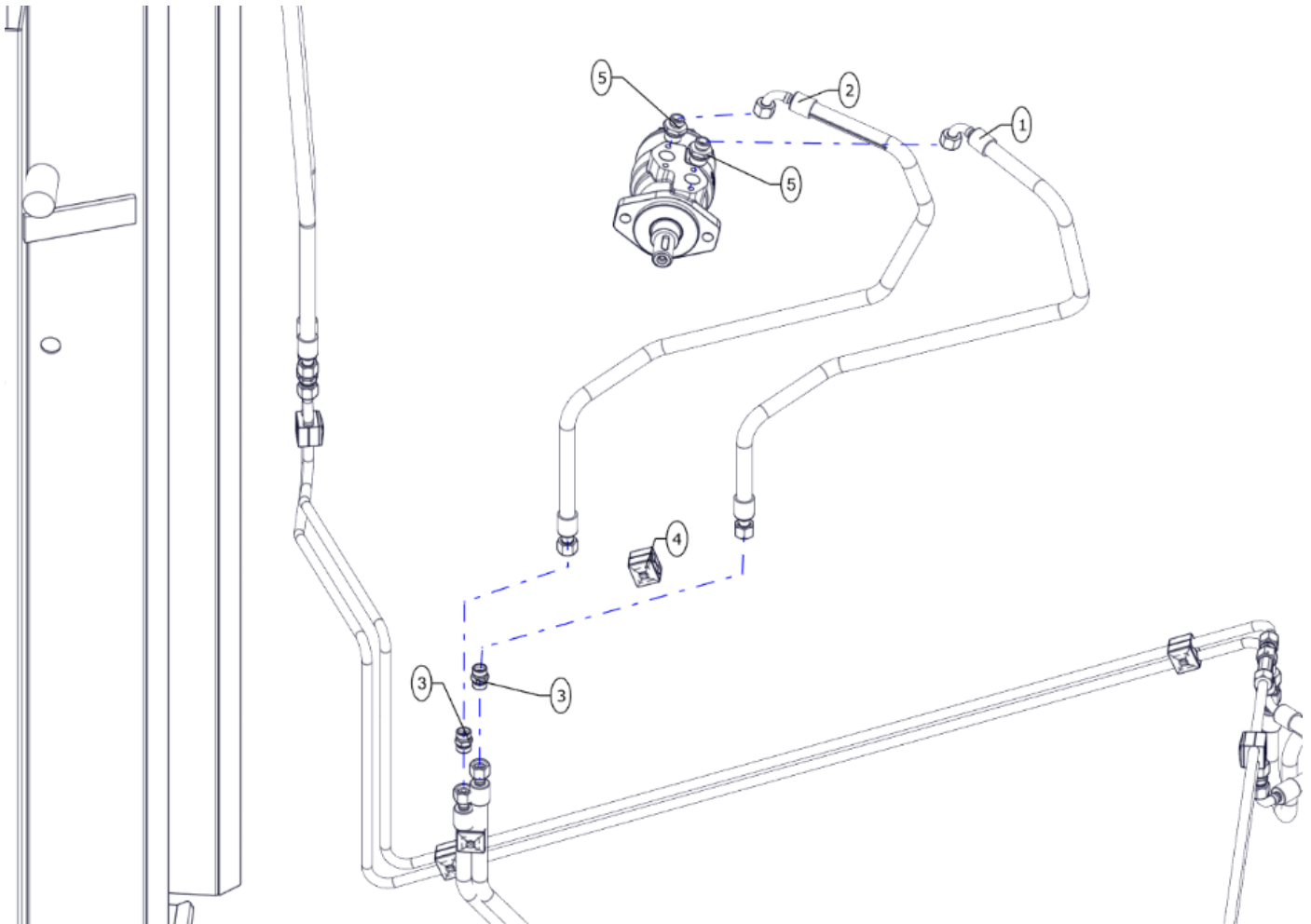
Tab.04

<b>ID</b>	<b>Code</b>	<b>Description</b>	<b>Q.ty</b>
1	A-TA80-102-00049	Hose	1
2	A-TA80-102-00048	Hose	1
3	A-TA80-102-00050	Hose	1
4	C-OLEO-RAC-00037	Junction	2
5	C-OLEO-RAC-00185	Junction	2
6	C-OLEO-RAC-00039	Junction	1
7	C-OLEO-RAC-00640	Junction	1



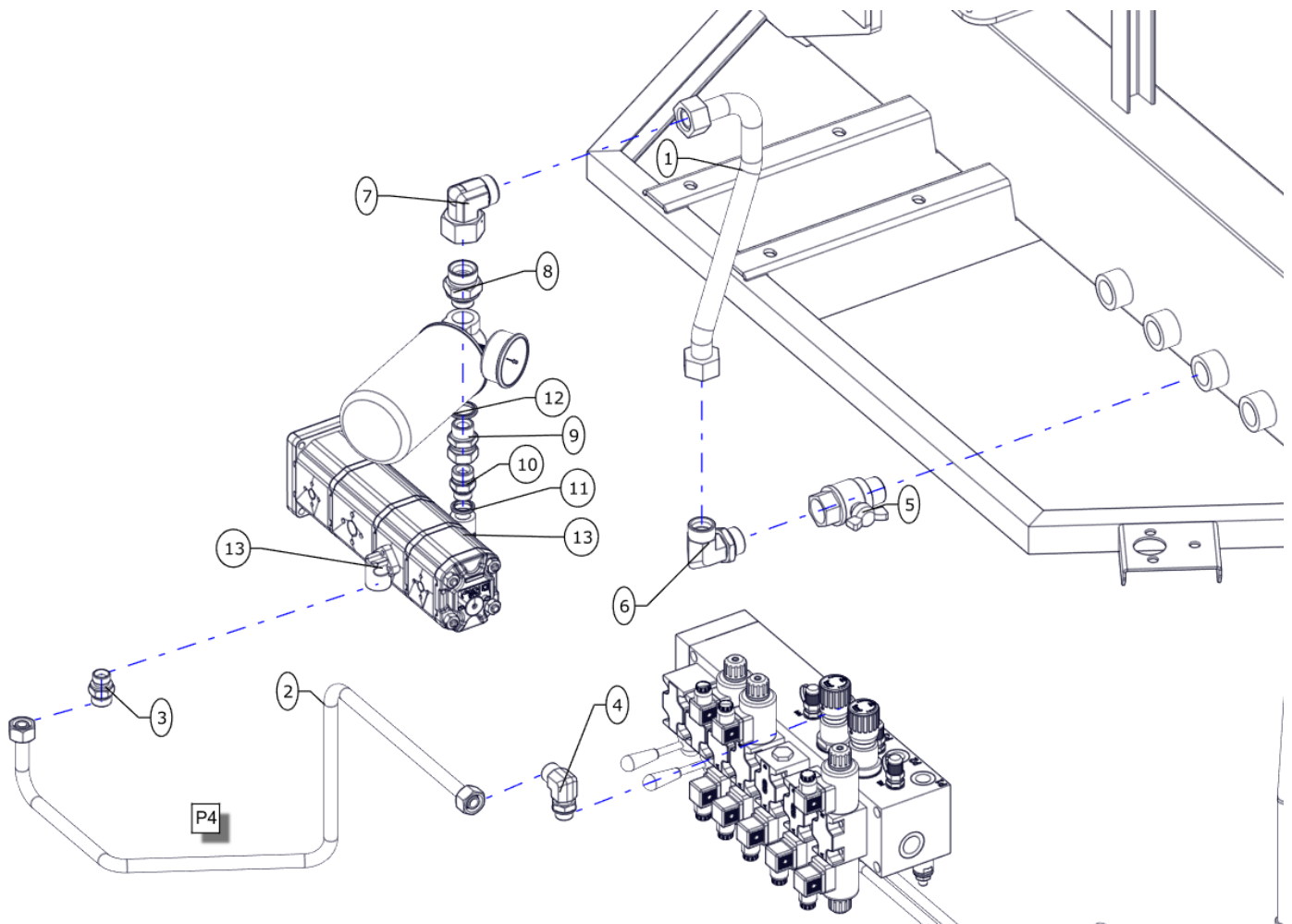
Tab.05

<b>ID</b>	<b>Code</b>	<b>Description</b>	<b>Q.ty</b>
1	A-TA80-102-00051	Hose	3
2	A-TA80-103-00053	Rigid pipe	1
3	A-TA80-103-00052	Rigid pipe	1
4	C-OLEO-RAC-00185	Junction	2
5	C-OLEO-RAC-00640	Junction	1
6	C-OLEO-RAC-00185	Junction	1
7	C-ECOL-STA-00016	Bracket	4



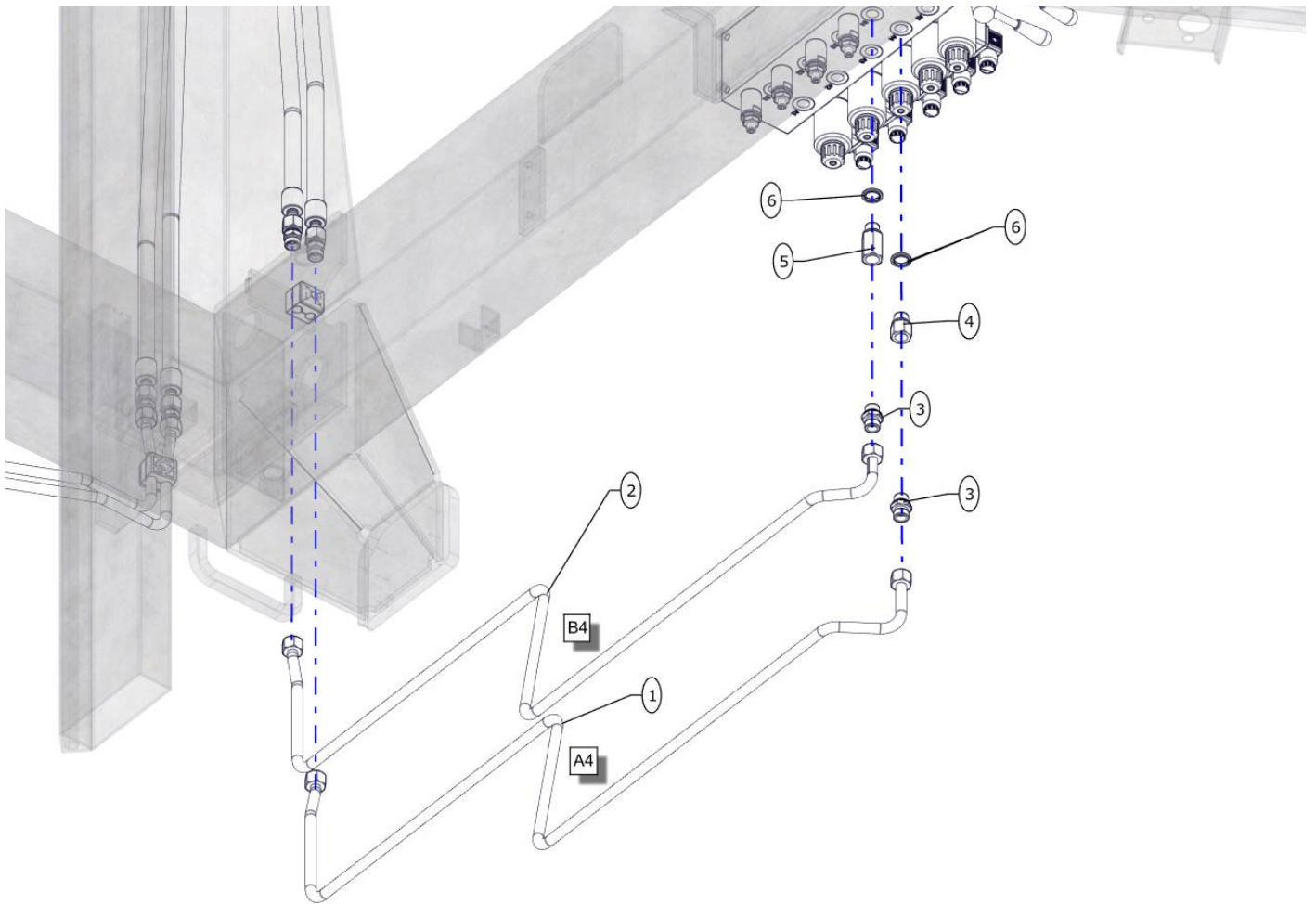
Tab.06

<b>ID</b>	<b>Code</b>	<b>Description</b>	<b>Q.ty</b>
1	A-TA80-102-00052	Hose	1
2	A-TA80-102-00053	Hose	1
3	C-OLEO-RAC-00185	Junction	2
4	C-ECOL-STA-00016	Bracket	1
5	C-OLEO-RAC-00038	Junction	2



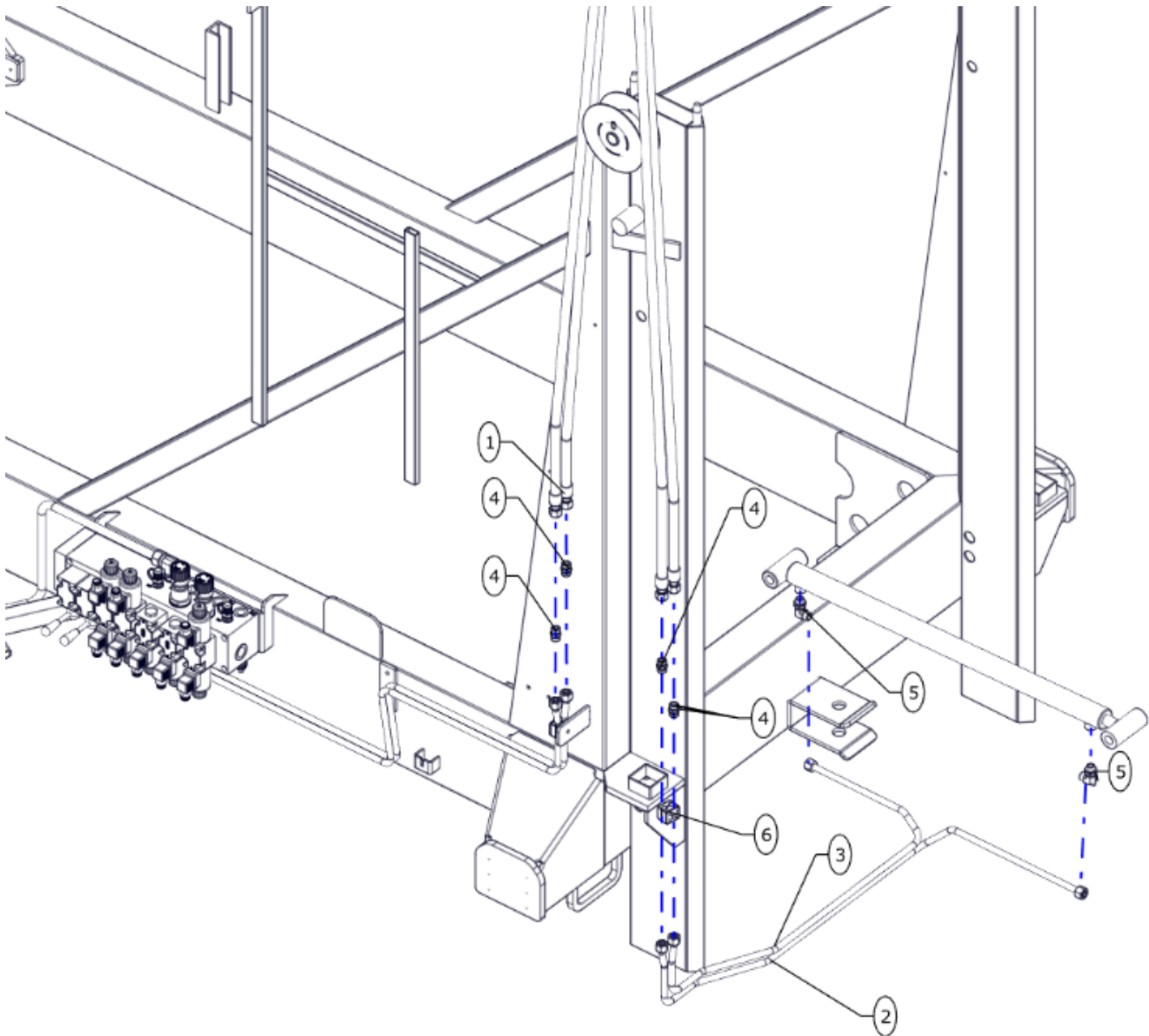
Tab.01

<b>ID</b>	<b>Code</b>	<b>Description</b>	<b>Q.ty</b>
1	A-TA80-103-00011	Rigid pipe	1
2	A-TA80-103-00014	Rigid pipe	1
3	C-OLEO-RAC-00041	Junction	1
4	C-OLEO-RAC-00079	Junction	1
5	C-OLEO-VAL-00115	Valve	1
6	C-OLEO-RAC-00076	Junction	1
7	C-OLEO-RAC-00277	Junction	1
8	C-OLEO-RAC-00046	Junction	1
9	C-OLEO-RAC-00232	Junction	1
10	C-OLEO-RAC-00157	Junction	1
11	C-OLEO-RAC-00105	Junction	1
12	C-OLEO-RAC-00104	Junction	1
13	C-OLEO-RAC-00348	Junction	2



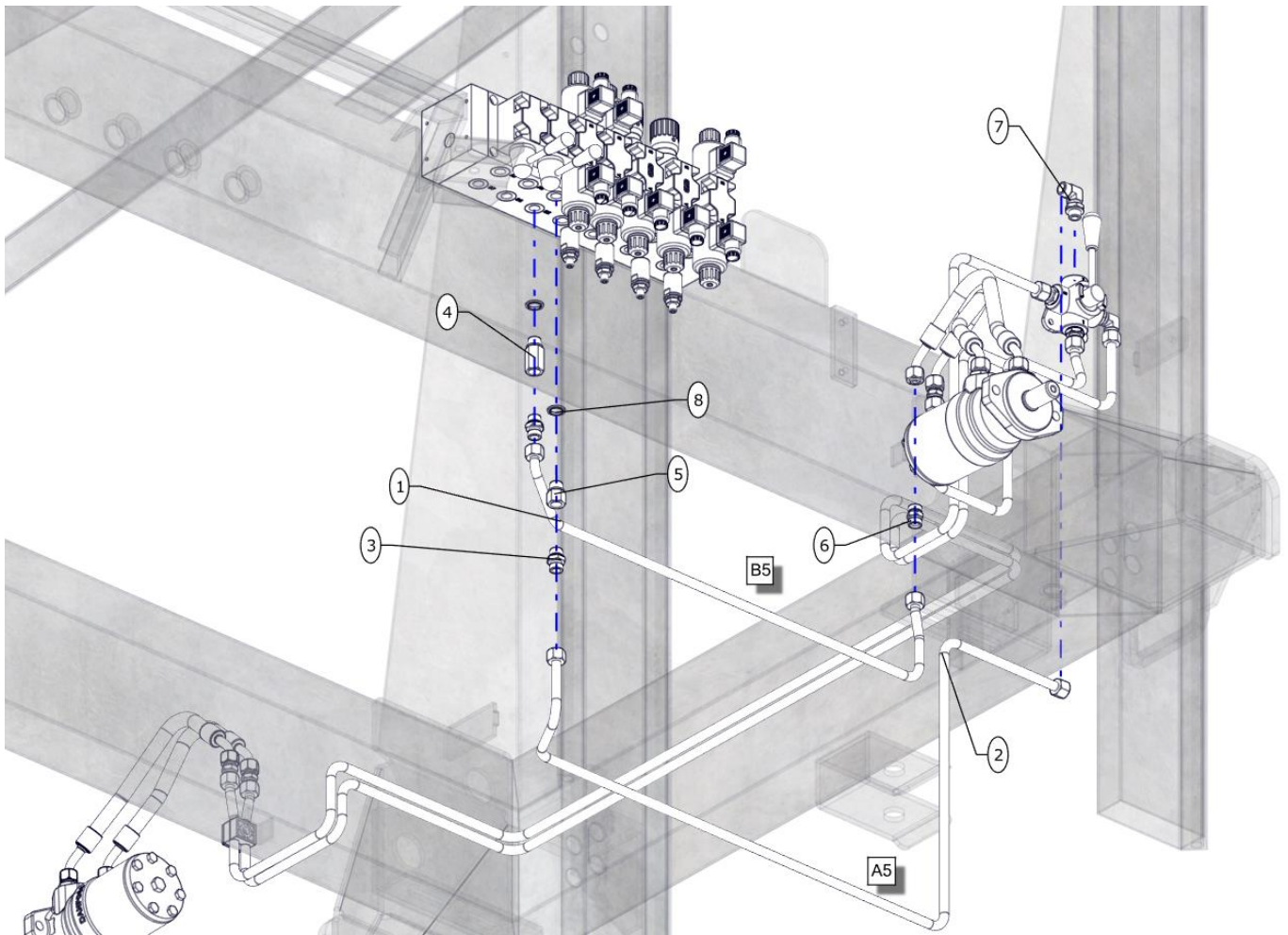
Tab.02

<b>ID</b>	<b>Code</b>	<b>Description</b>	<b>Q.ty</b>
1	A-TA80-103-00031	Rigid pipe	1
2	A-TA80-103-00030	Rigid pipe	1
3	C-OLEO-RAC-00037	Junction	2
4	C-OLEO-RAC-00110	Junction	1
5	C-OLEO-RAC-00109	Junction	1
6	C-OLEO-RAC-00103	Junction	2



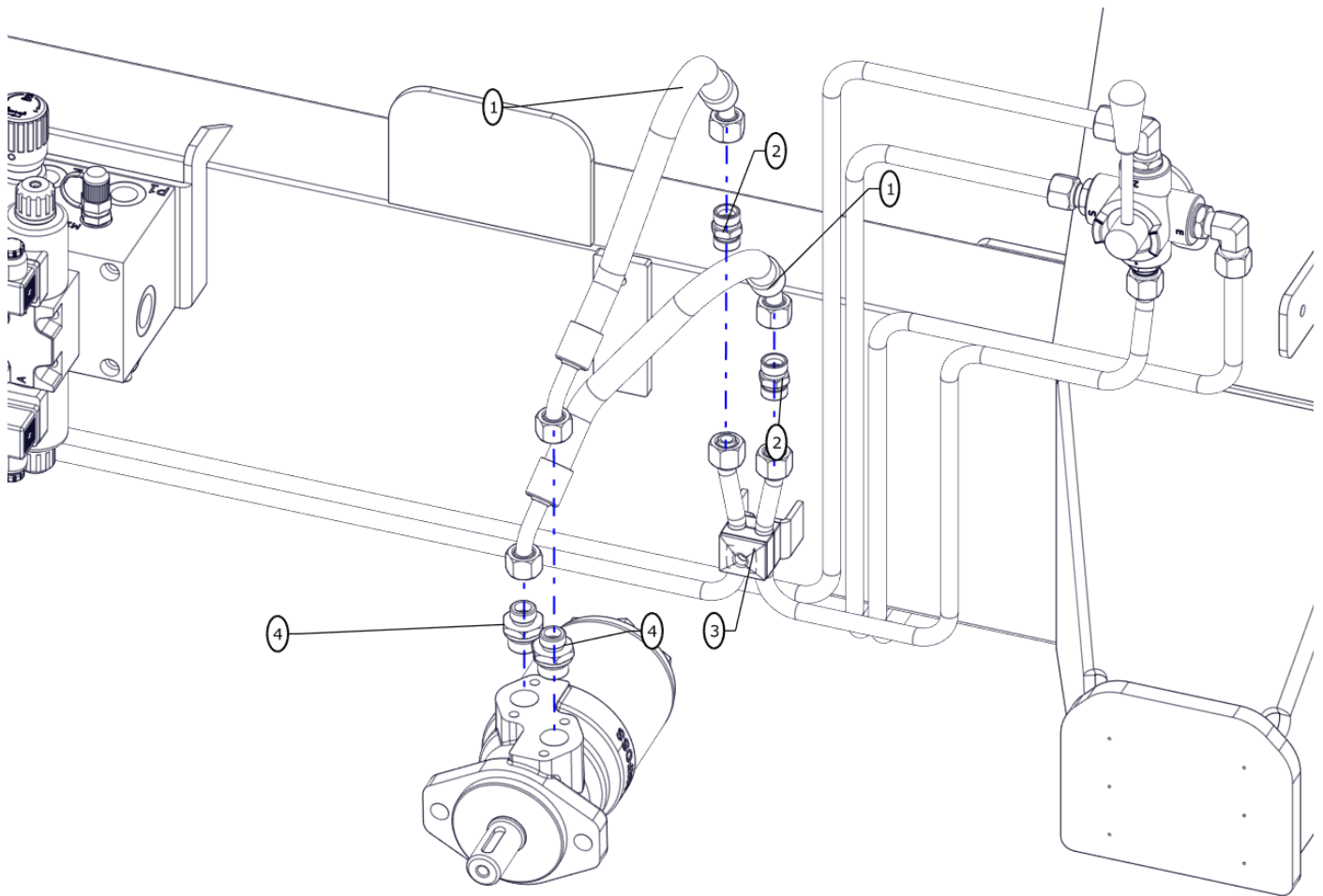
Tab.03

<b>ID</b>	<b>Code</b>	<b>Description</b>	<b>Q.ty</b>
1	A-TA80-102-00047	Hose	2
2	A-TA80-103-00050	Rigid pipe	1
3	A-TA80-103-00051	Rigid pipe	1
4	C-OLEO-RAC-00185	Junction	4
5	C-OLEO-RAC-00078	Junction	2
6	C-ECOL-STA-00016	Bracket	1



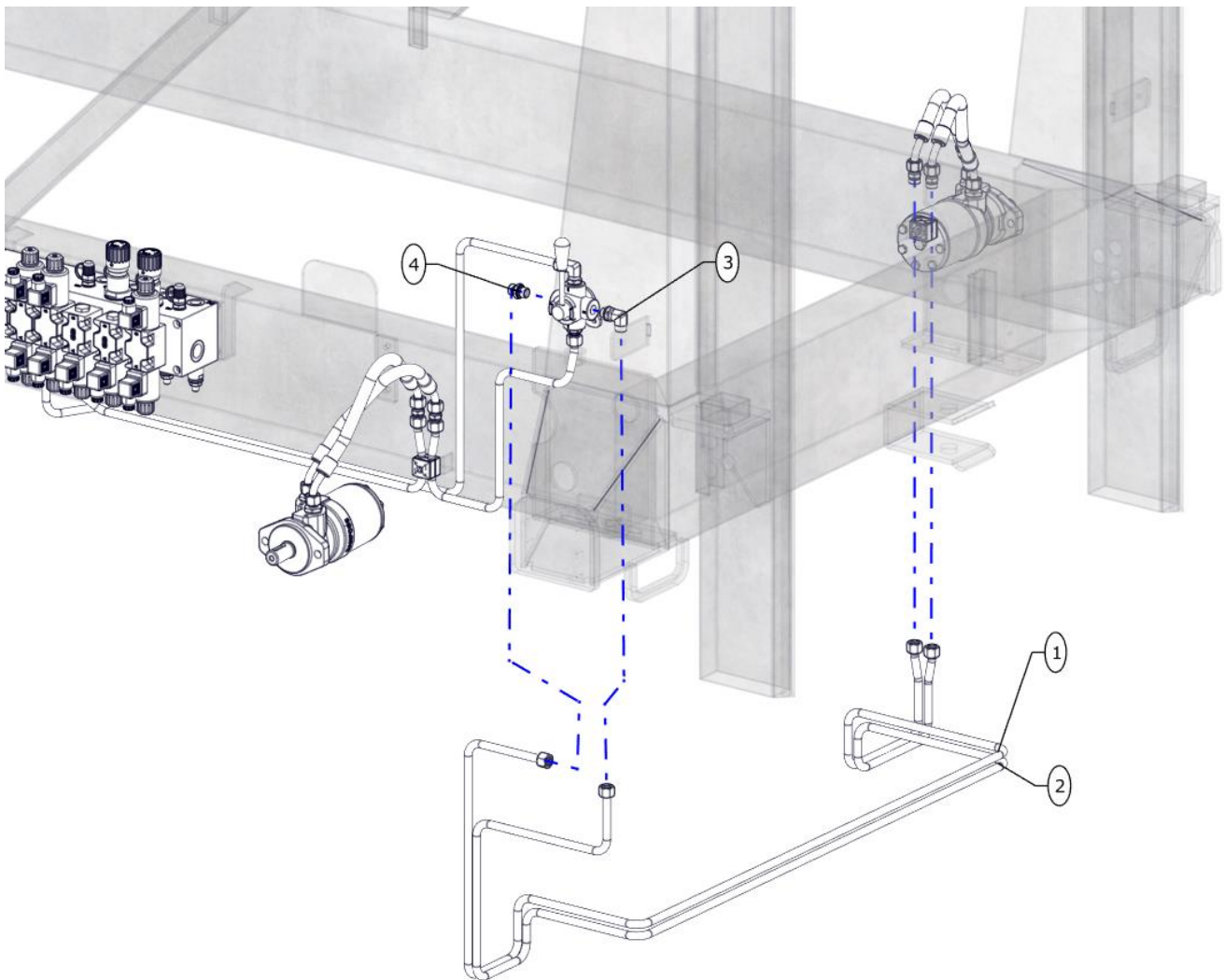
Tab.01

<b>ID</b>	<b>Code</b>	<b>Description</b>	<b>Q.ty</b>
1	A-TA80-103-00032	Rigid pipe	1
2	A-TA80-103-00033	Rigid pipe	1
3	C-OLEO-RAC-00037	Junction	2
4	C-OLEO-RAC-00109	Junction	1
5	C-OLEO-RAC-00110	Junction	1
6	C-OLEO-RAC-00185	Junction	1
7	C-OLEO-RAC-00078	Junction	1
8	C-OLEO-RAC-00103	Junction	2



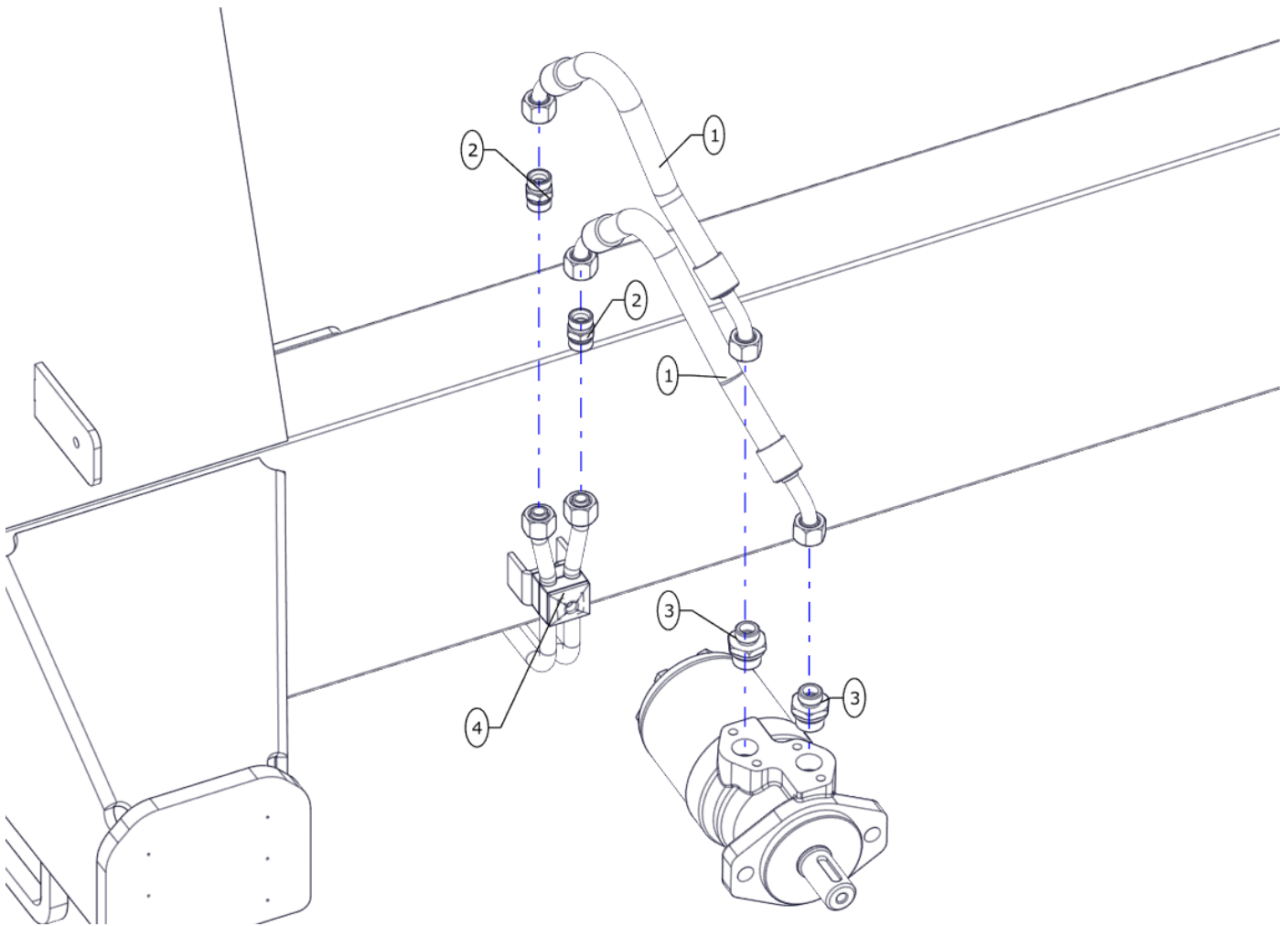
Tab.02

<b>ID</b>	<b>Code</b>	<b>Description</b>	<b>Q.ty</b>
1	A-TA80-102-00054	Hose	3
2	C-OLEO-RAC-00185	Junction	2
3	C-ECOL-STA-00016	Bracket	1
4	C-OLEO-RAC-00038	Junction	2



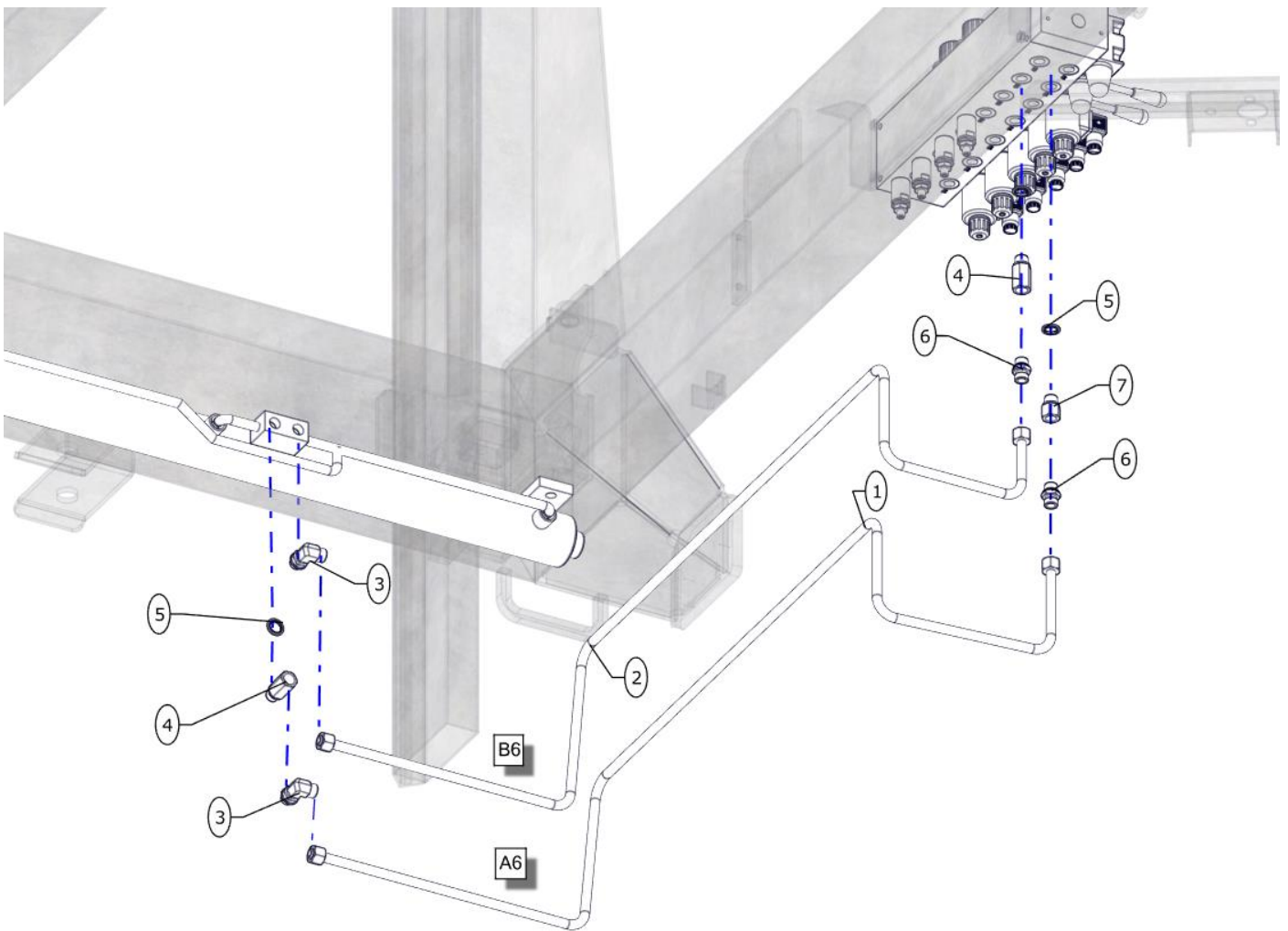
Tab.03

<b>ID</b>	<b>Code</b>	<b>Description</b>	<b>Q.ty</b>
1	A-TA80-103-00040	Rigid pipe	1
2	A-TA80-103-00039	Rigid pipe	1
3	C-OLEO-RAC-00078	Junction	1
4	C-OLEO-RAC-00037	Junction	1



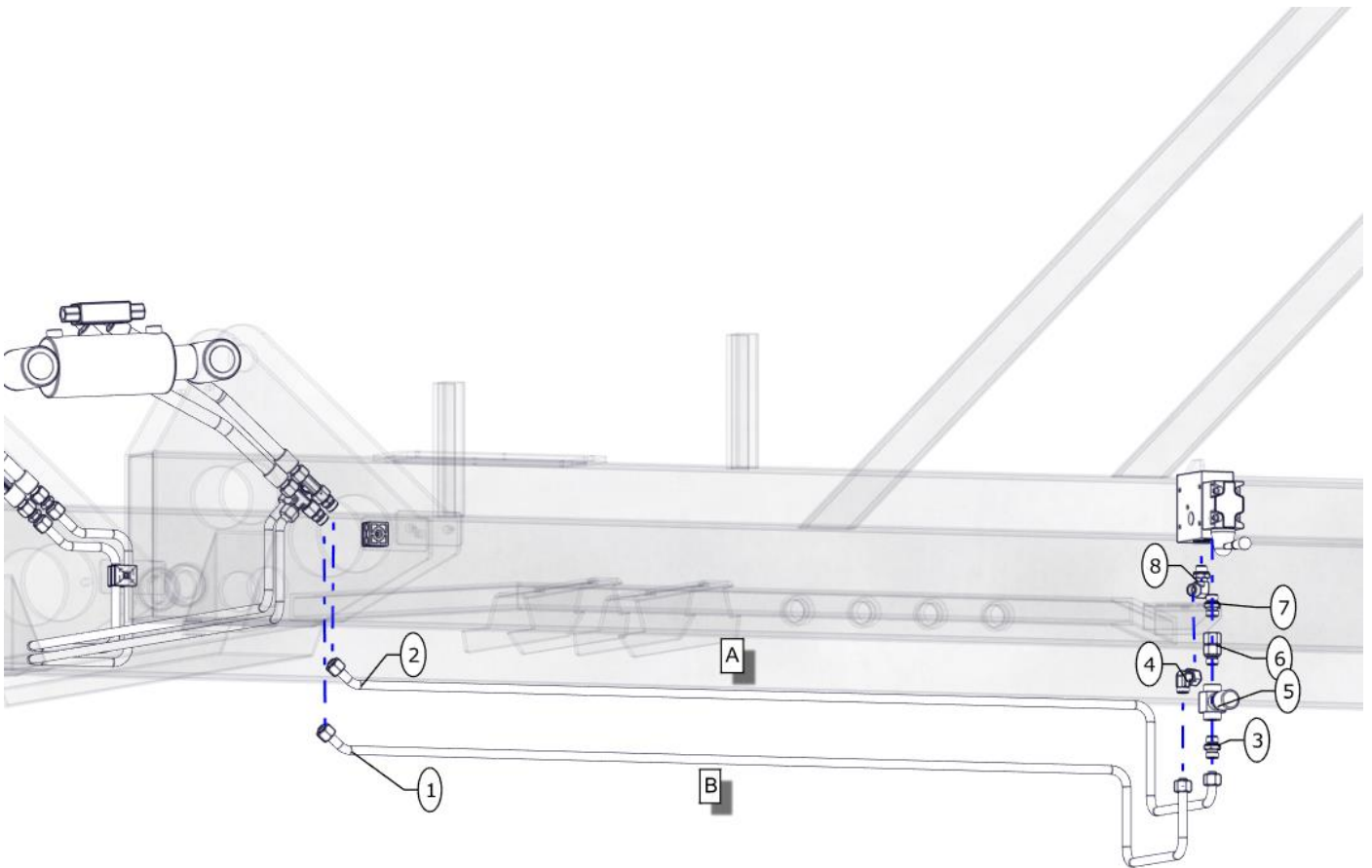
Tab.04

<b>ID</b>	<b>Code</b>	<b>Description</b>	<b>Q.ty</b>
1	A-TA80-102-00054	Hose	3
2	C-OLEO-RAC-00185	Junction	2
3	C-OLEO-RAC-00038	Junction	2
4	C-ECOL-STA-00016	Bracket	1



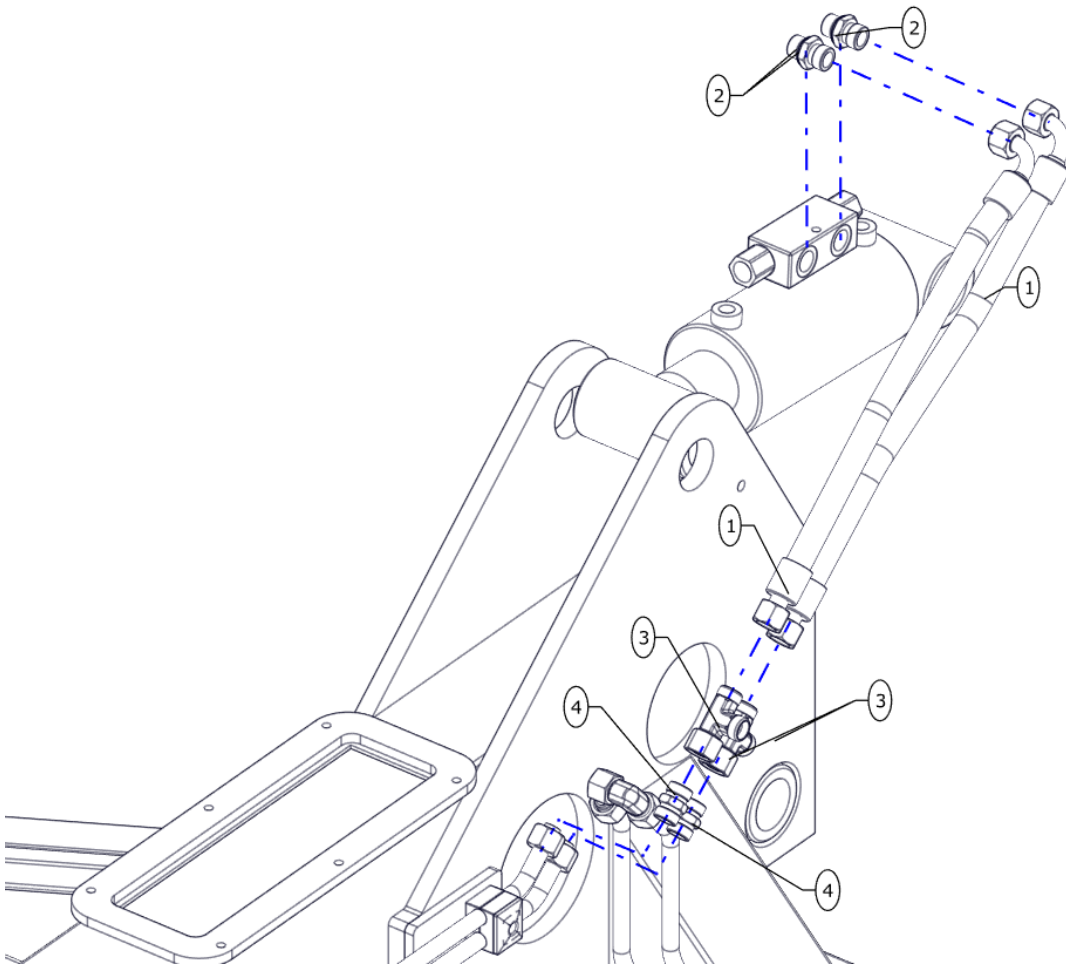
Tab.01

<b>ID</b>	<b>Code</b>	<b>Description</b>	<b>Q.ty</b>
1	A-TA80-103-00022	Rigid pipe	1
2	A-TA80-103-00023	Rigid pipe	1
3	C-OLEO-RAC-00078	Junction	2
4	C-OLEO-RAC-00109	Junction	2
5	C-OLEO-RAC-00103	Junction	2
6	C-OLEO-RAC-00037	Junction	2
7	C-OLEO-RAC-00110	Junction	1



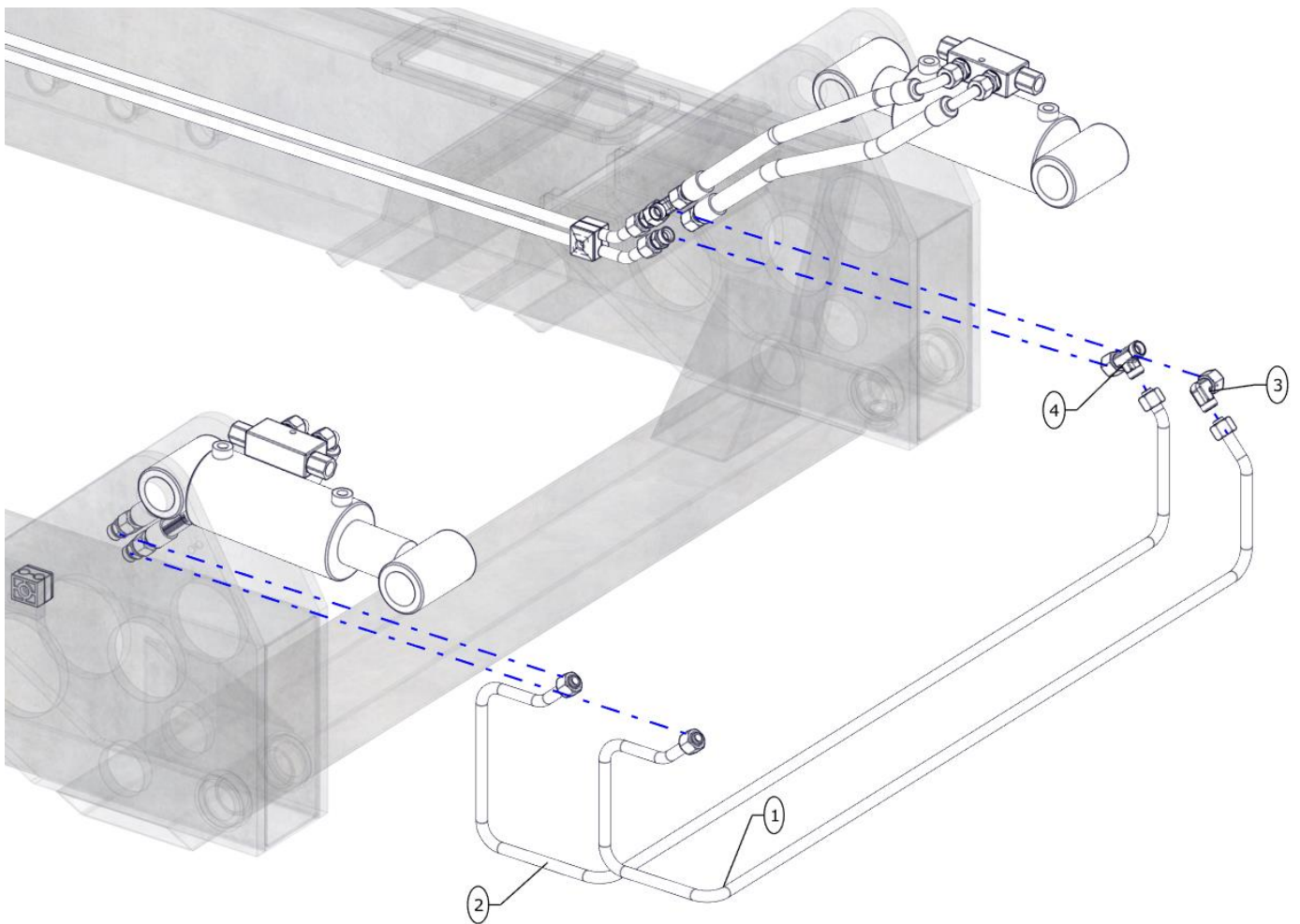
Tab.02

<b>ID</b>	<b>Code</b>	<b>Description</b>	<b>Q.ty</b>
1	A-TA80-103-00059	Rigid pipe	1
2	A-TA80-103-00058	Rigid pipe	1
3	C-OLEO-RAC-00037	Junction	1
4	C-OLEO-RAC-00621	Junction	1
5	C-OLEO-REG-00011	Hydraulic regulator	1
6	C-OLEO-RAC-00198	Junction	1
7	C-OLEO-RAC-00037	Junction	1
8	C-OLEO-RAC-00078	Junction	1



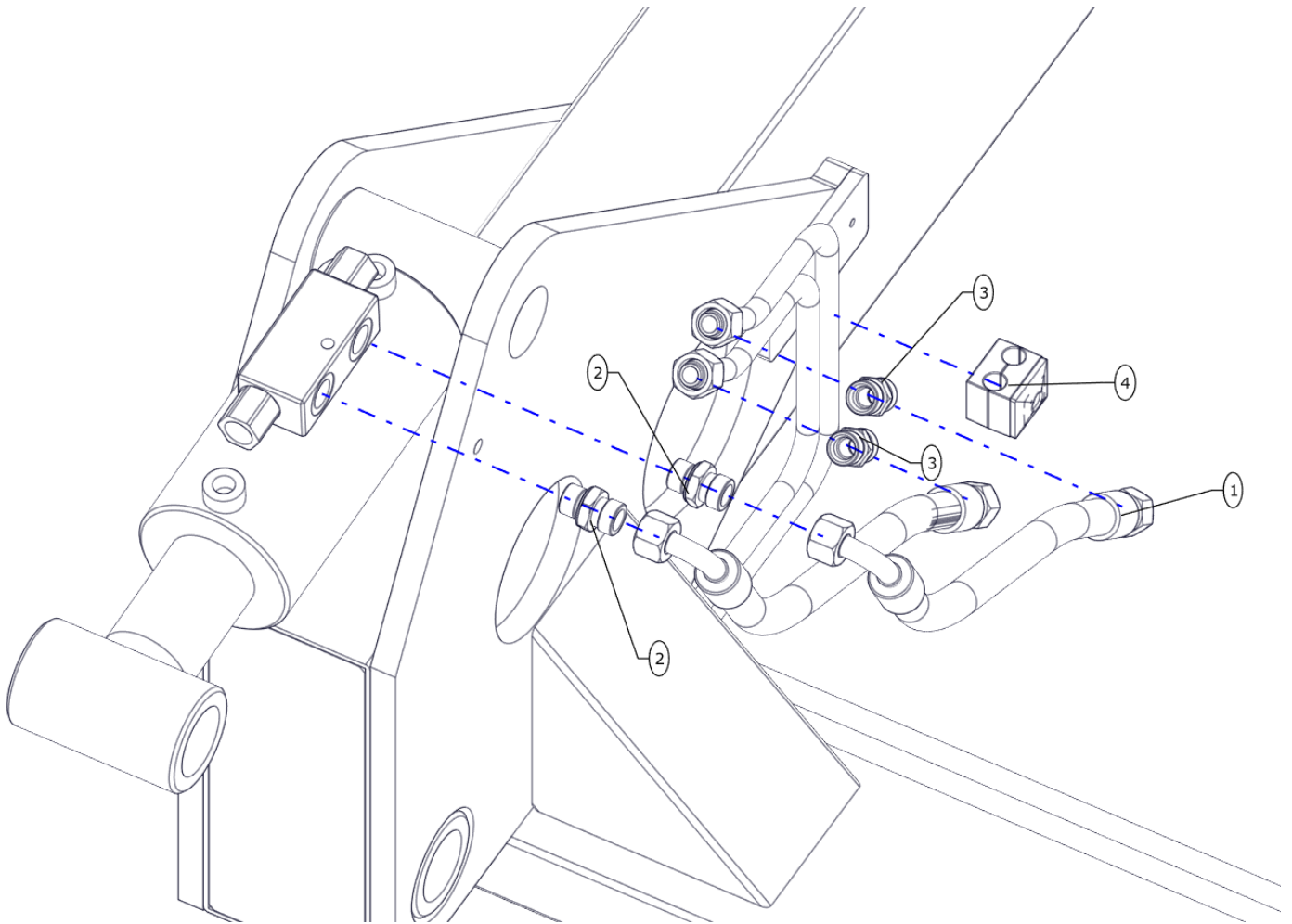
Tab.03

<b>ID</b>	<b>Code</b>	<b>Description</b>	<b>Q.ty</b>
1	A-TA80-102-00055	Hose	3
2	C-OLEO-RAC-00037	Junction	2
3	C-OLEO-RAC-00640	Junction	2
4	C-OLEO-RAC-00185	Junction	2



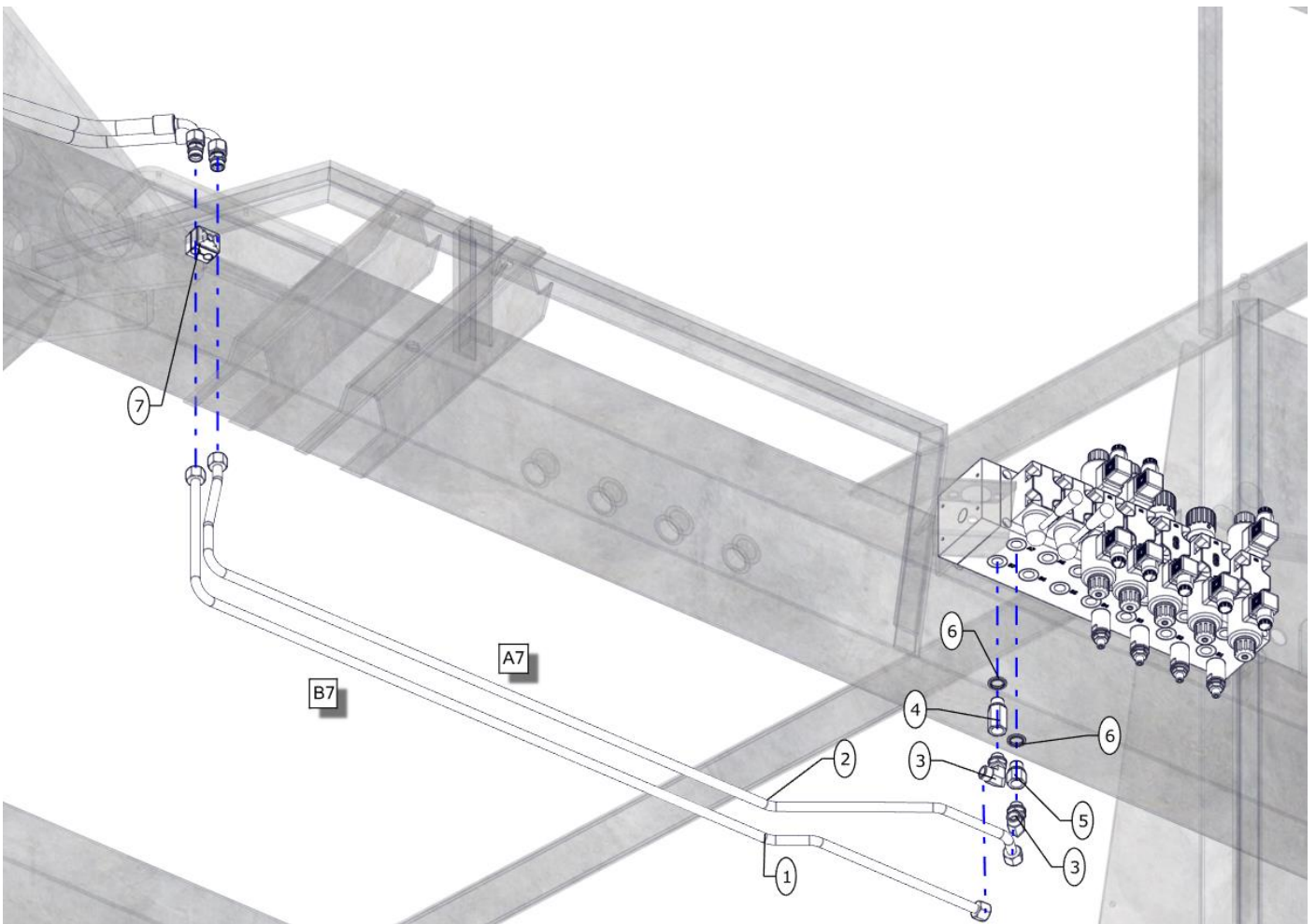
Tab.04

<b>ID</b>	<b>Code</b>	<b>Description</b>	<b>Q.ty</b>
1	A-TA80-103-00061	Rigid pipe	1
2	A-TA80-103-00060	Rigid pipe	1
3	C-OLEO-RAC-00621	Junction	1
4	C-OLEO-RAC-00640	Junction	1



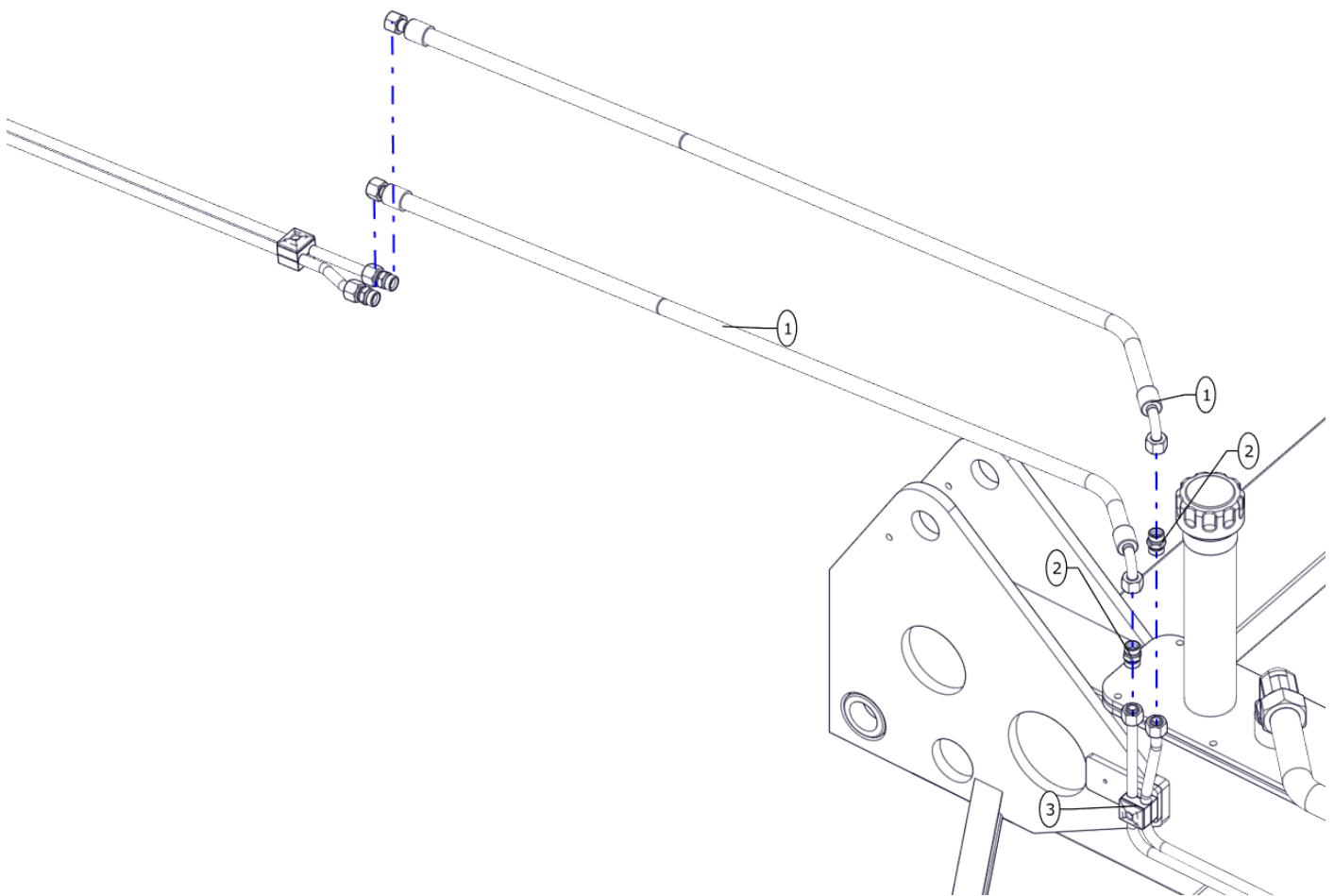
Tab.05

<b>ID</b>	<b>Code</b>	<b>Description</b>	<b>Q.ty</b>
1	A-TA80-102-00055	Hose	2
2	C-OLEO-RAC-00037	Junction	2
3	C-OLEO-RAC-00185	Junction	2
4	C-ECOL-STA-00016	Bracket	1



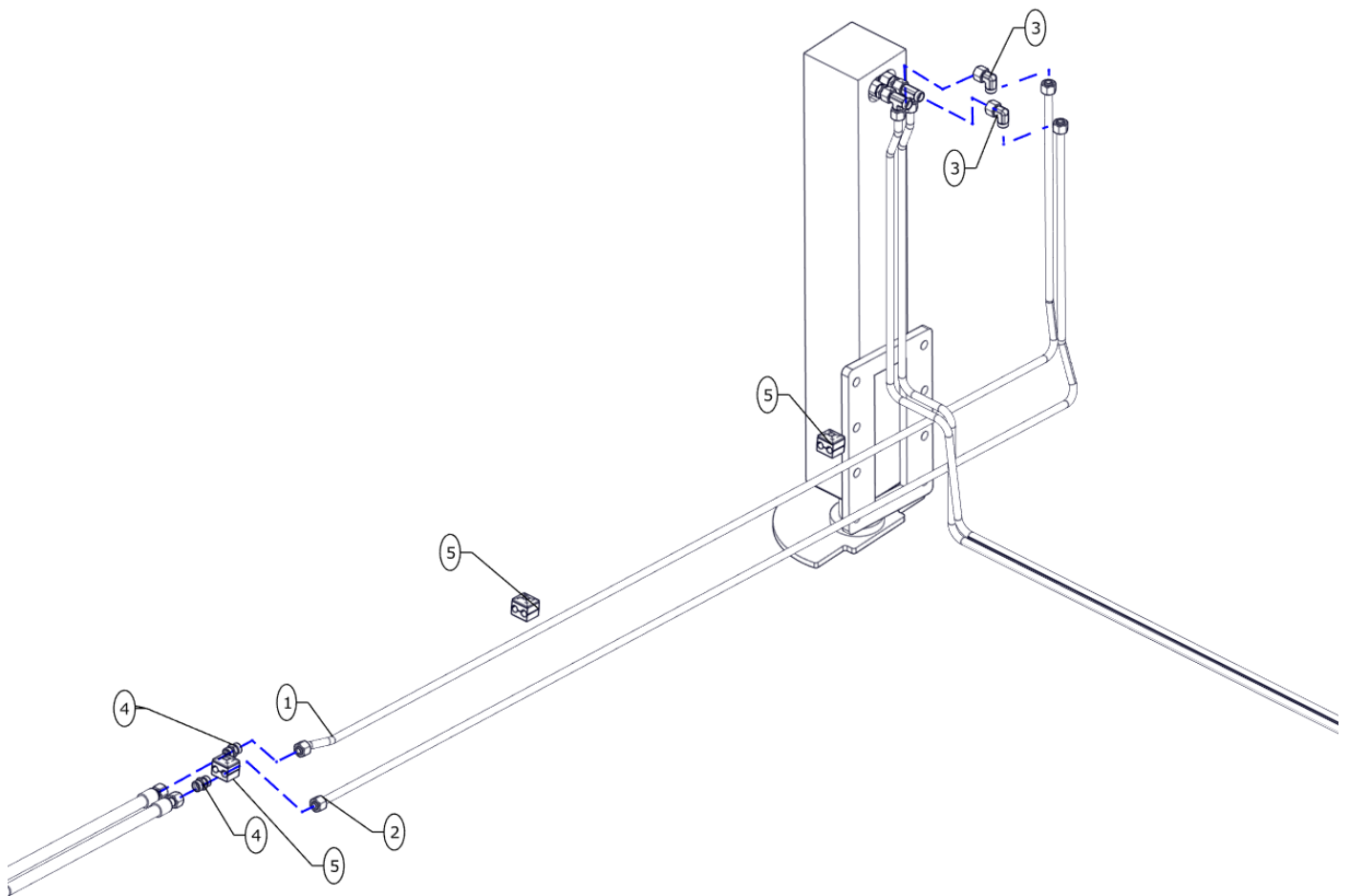
Tab.01

<b>ID</b>	<b>Code</b>	<b>Description</b>	<b>Q.ty</b>
1	A-TA80-103-00021	Rigid pipe	1
2	A-TA80-103-00020	Rigid pipe	1
3	C-OLEO-RAC-00078	Junction	2
4	C-OLEO-RAC-00109	Junction	1
5	C-OLEO-RAC-00110	Junction	1
6	C-OLEO-RAC-00103	Junction	2
7	C-ECOL-STA-00016	Bracket	1



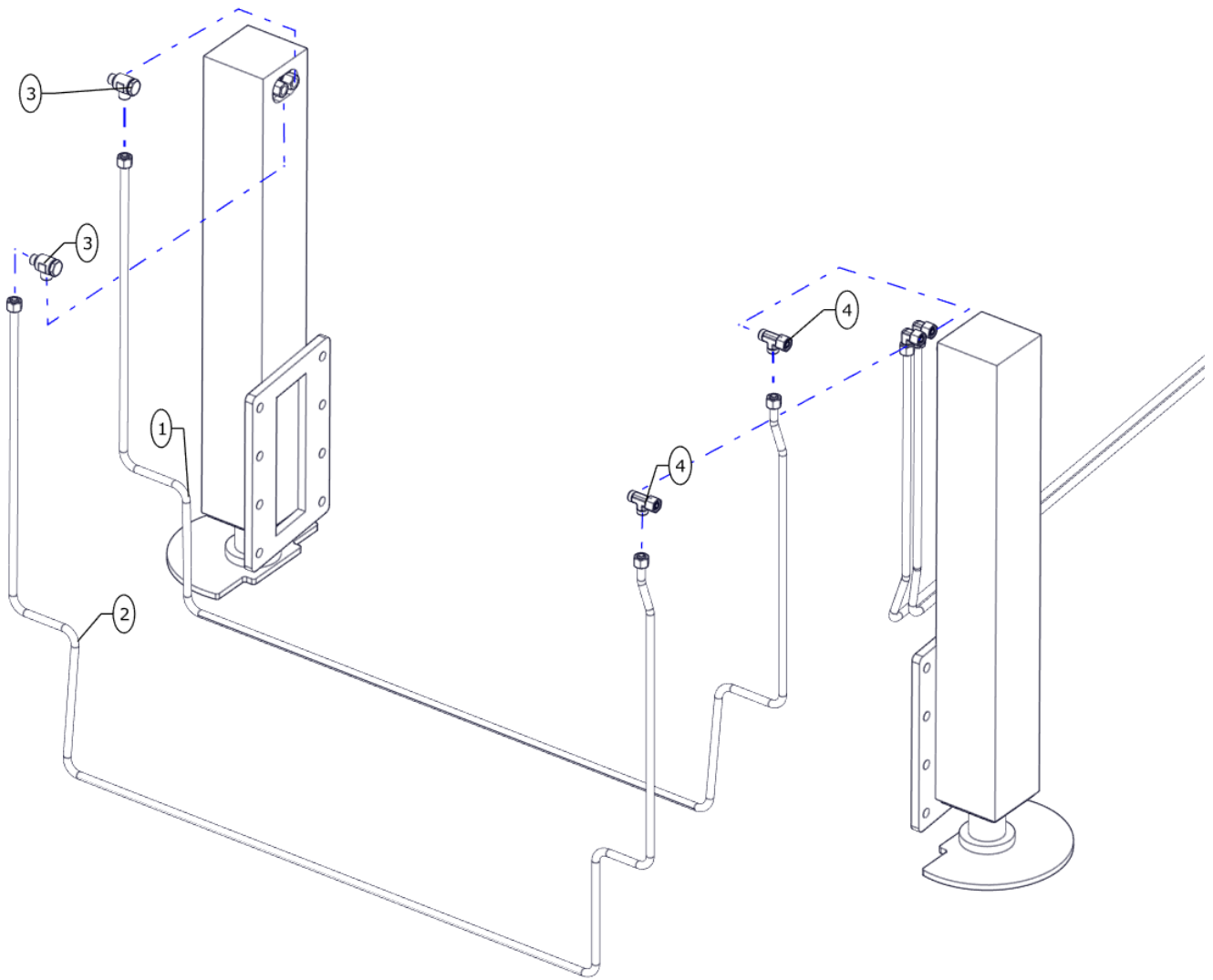
Tab.02

<b>ID</b>	<b>Code</b>	<b>Description</b>	<b>Q.ty</b>
1	A-TA80-102-00056	Hose	3
2	C-OLEO-RAC-00185	Junction	2
3	C-ECOL-STA-00016	Bracket	1



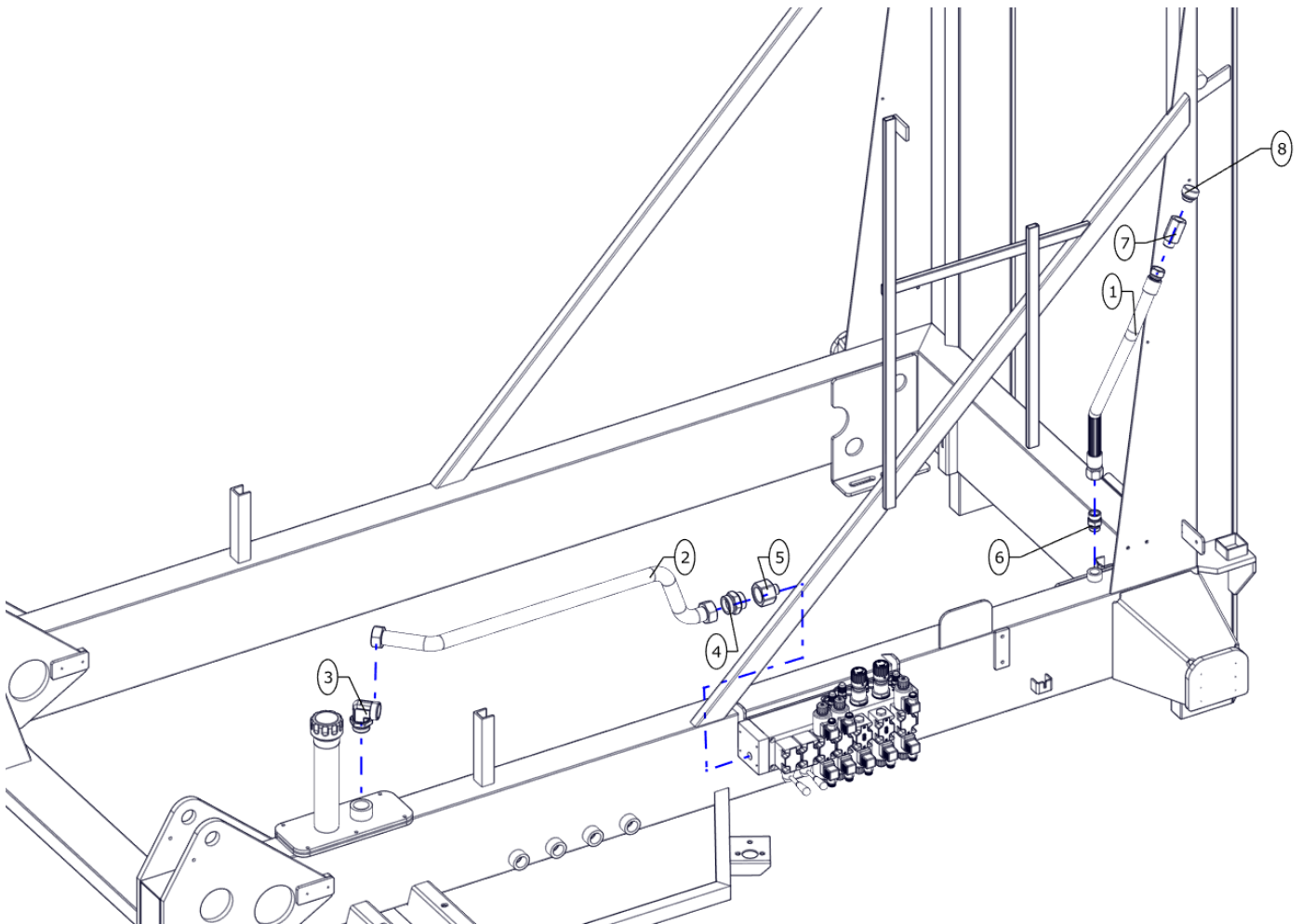
Tab.03

<b>ID</b>	<b>Code</b>	<b>Description</b>	<b>Q.ty</b>
1	A-TA80-103-00019	Rigid pipe	1
2	A-TA80-103-00018	Rigid pipe	1
3	C-OLEO-RAC-00621	Junction	2
4	C-OLEO-RAC-00185	Junction	2
5	C-ECOL-STA-00016	Bracket	3



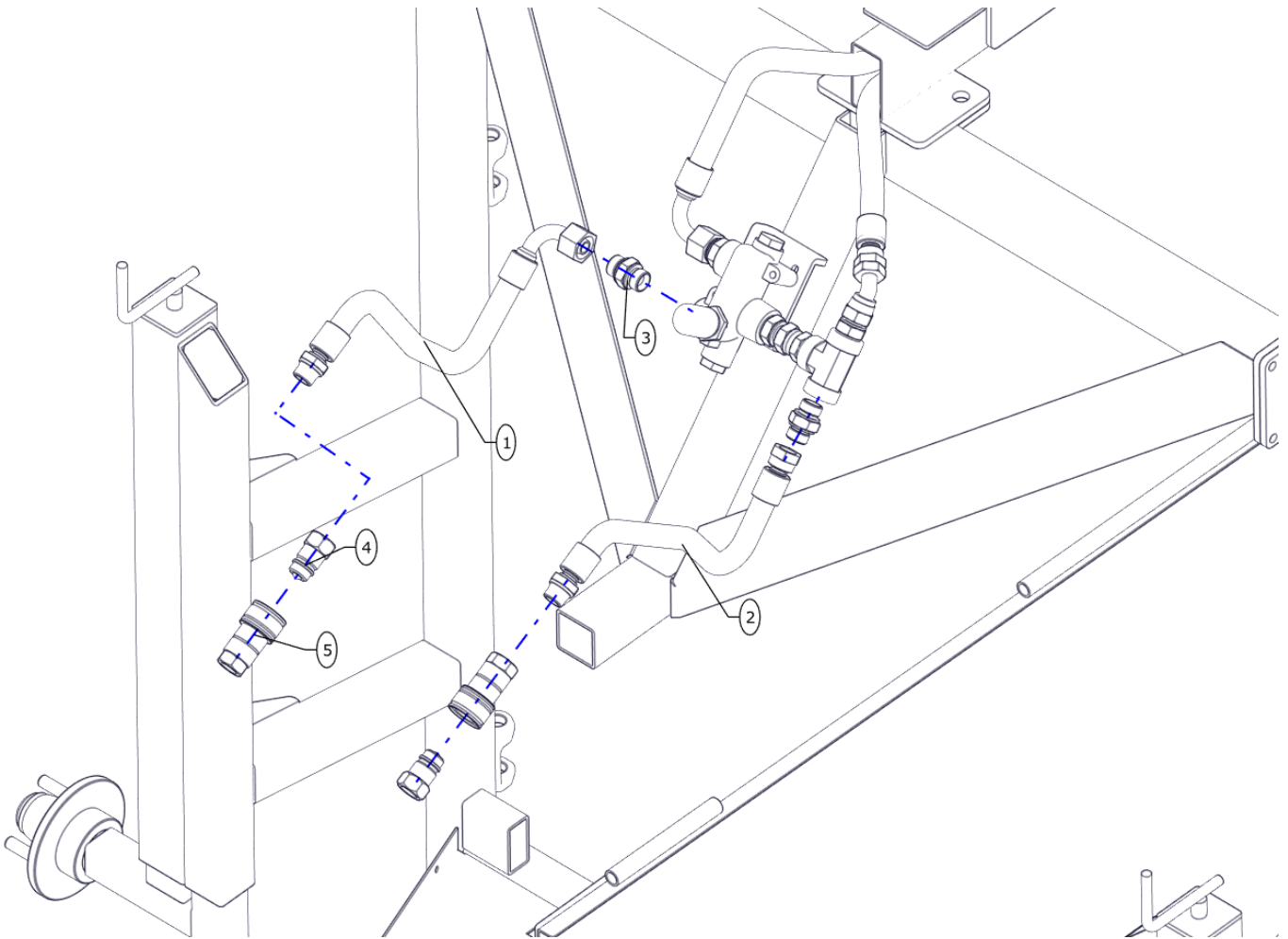
Tab.04

<b>ID</b>	<b>Code</b>	<b>Description</b>	<b>Q.ty</b>
1	A-TA80-103-00043	Rigid pipe	1
2	A-TA80-103-00042	Rigid pipe	1
3	C-OLEO-RAC-00061	Junction	2
4	C-OLEO-RAC-00640	Junction	2



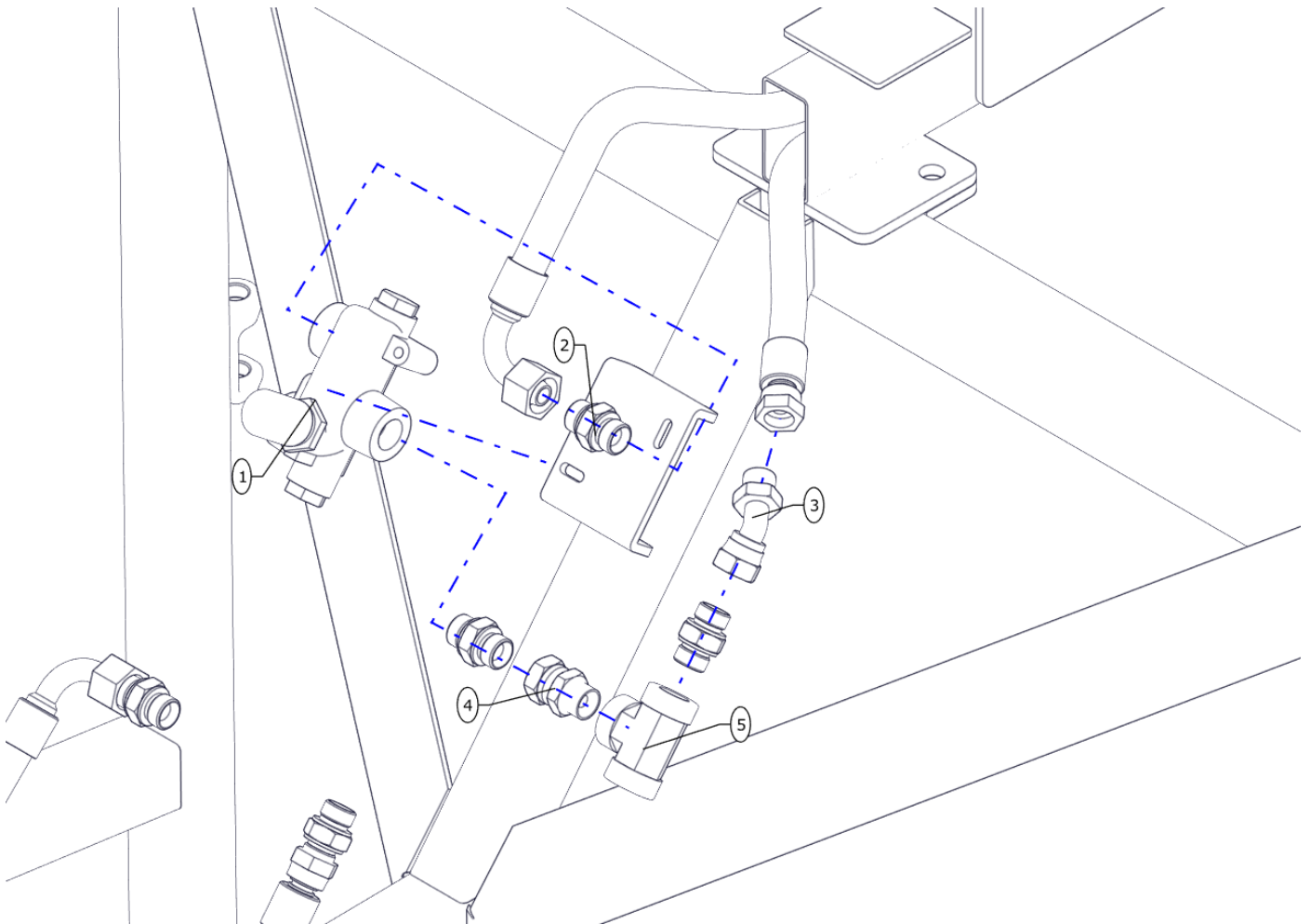
Tab.01

<b>ID</b>	<b>Code</b>	<b>Description</b>	<b>Q.ty</b>
1	A-TA80-102-00062	Hose	2
2	A-TA80-103-00010	Rigid pipe	1
3	C-OLEO-RAC-00658	Junction	1
4	C-OLEO-RAC-00508	Junction	1
5	C-OLEO-RAC-00656	Junction	1
6	C-OLEO-RAC-00045	Junction	1
7	C-OLEO-RAC-00114	Junction	1
8	C-SERB-OIL-00011	Tank	1



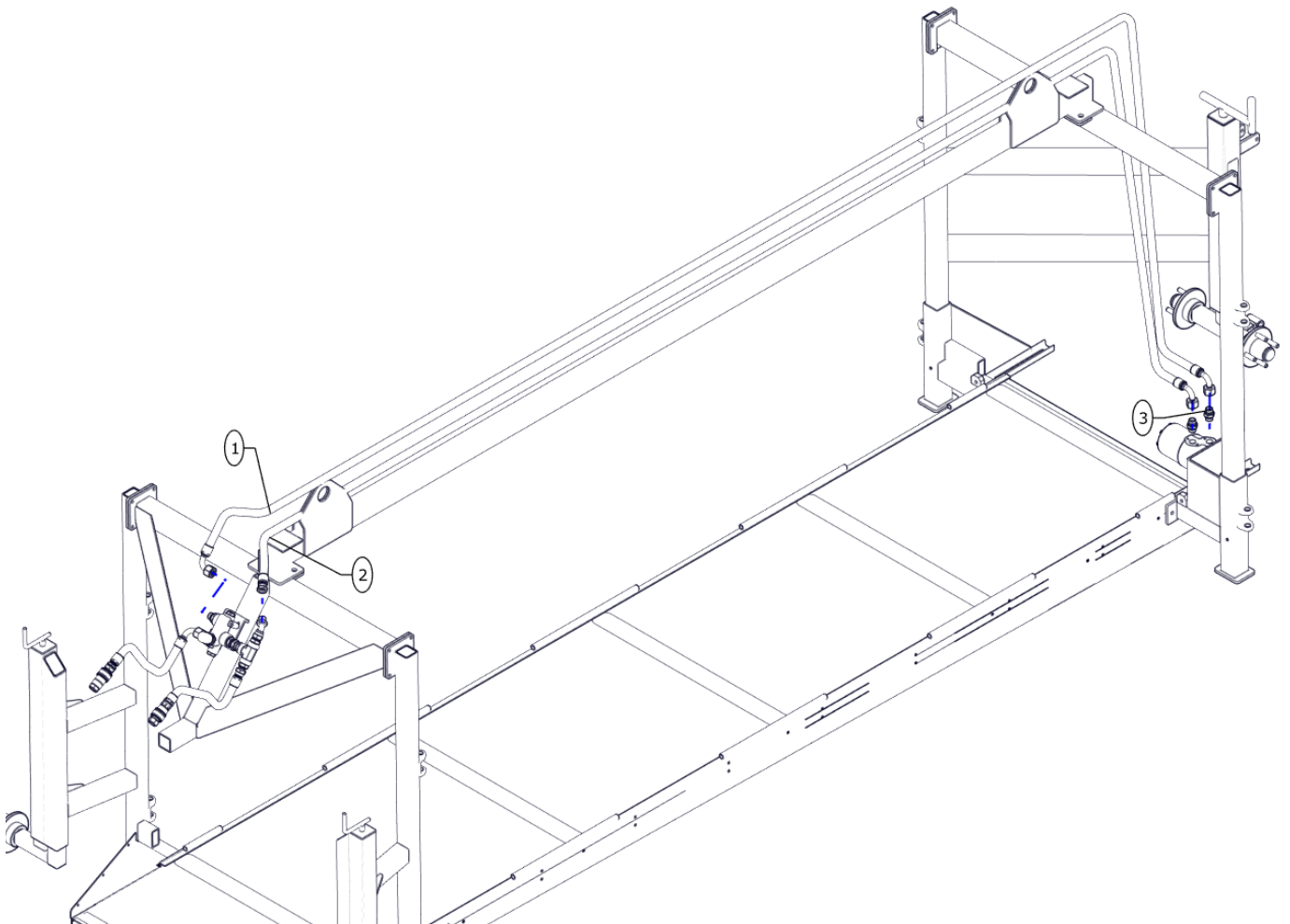
Tab.01

<b>ID</b>	<b>Code</b>	<b>Description</b>	<b>Q.ty</b>
1	A-BOXI-102-00004	Hose	1
2	A-BOXI-102-00001	Hose	1
3	C-OLEO-RAC-00156	Junction	2
4	C-OLEO-RAC-00381	Junction	2
5	C-OLEO-RAC-00384	Junction	2



Tab.02

<b>ID</b>	<b>Code</b>	<b>Description</b>	<b>Q.ty</b>
1	C-OLEO-REG-00008	Hydraulic regulator	1
2	C-OLEO-RAC-00156	Junction	3
3	C-OLEO-RAC-00294	Junction	1
4	C-OLEO-RAC-00234	Junction	1
5	C-OLEO-RAC-00027	Junction	1



Tab.03

<b>ID</b>	<b>Code</b>	<b>Description</b>	<b>Q.ty</b>
1	A-BOXI-102-00002	Hose	1
2	A-BOXI-102-00003	Hose	1
3	C-OLEO-RAC-00156	Junction	2