



Technical data

Voltage	U	230/400	V
Phase		3	~
Frequency	f	50	Hz
Speed	n	925	RPM
Power consumption	P _e	670	W
Nominal current	I _{nom}	2.3/1.4	A
Maximum current	I _{max}	2.5/1.4	A
Cos φ		0.74	
Capacitor		-	μF/V
Service factor current		2.5/1.4	A
Ambient temperature	T _{amb min/max}	-25...40	°C
Insulation Class		CLF	
IP Class Fan		IP55	
Weight		37.8	kg
Packing dimensions		1100x455x1240	mm

Fan details

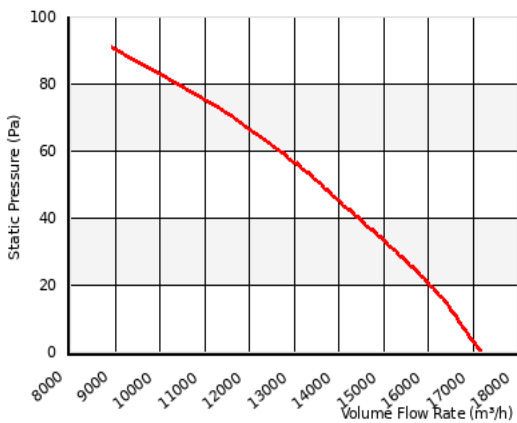
Impeller blades	3
Impeller type	8
Impeller system	G
Impeller material	PG

Control options

Triac controller	No
Transformer	No
Frequency drive	No
Intelligent Fan Drive	No

Characteristics

0 Pa 17200 m³/h
 50 Pa 13600 m³/h



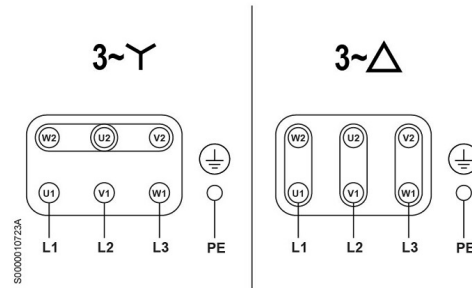
Please note: Picture may deviate from original product

Approval(s)

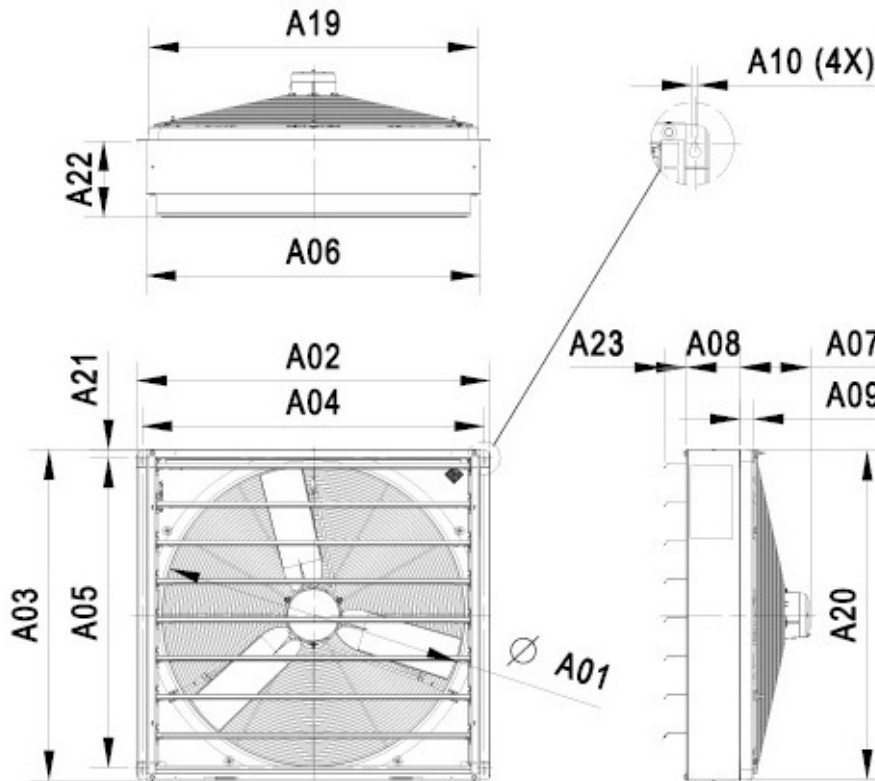


Wiring diagram

BB01 - 3 Phase - Y connection - CCW



Dimensions



A01:	915 mm
A02:	1080 mm
A03:	1014 mm
A04:	1046 mm
A05:	946.5 mm
A06:	1022 mm
A07:	220 mm
A08:	165 mm
A09:	40 mm
A10:	6.5 mm
A19:	1005 mm
A20:	1005 mm
A21:	25 mm
A22:	234 mm
A23:	72 mm