



## Technical data

Voltage	U	230/400	V
Phase		3	~
Frequency	f	50	Hz
Speed	n	570	RPM
Power consumption	P <sub>e</sub>	1600	W
Nominal current	I <sub>nom</sub>	5/2.9	A
Maximum current	I <sub>max</sub>	5.3/3.1	A
Cos φ		0.78	
Capacitor		-	μF/V
Service factor current		5.3/3.1	A
Ambient temperature	T <sub>amb min/max</sub>	-25...40	°C
Insulation Class		CLF	
IP Class Fan		IP55	
Weight		71.6	kg
Packing dimensions		347.3x1000x1000	mm

## Fan details

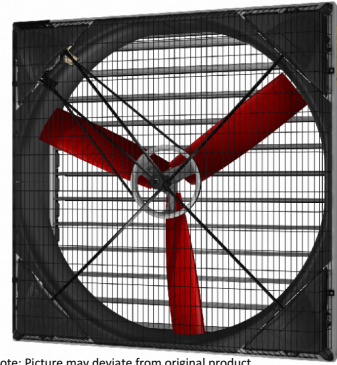
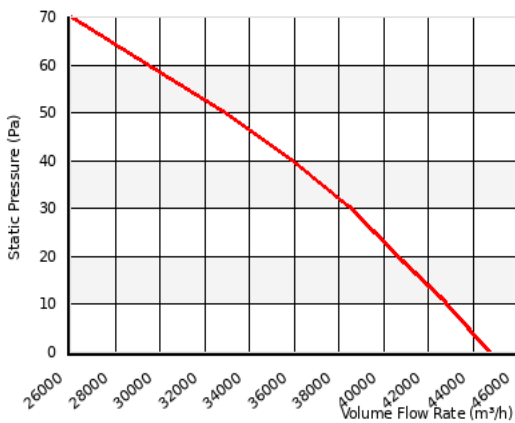
Impeller blades	3
Impeller type	10
Impeller system	N
Impeller material	PG

## Control options

Triac controller	No
Transformer	No
Frequency drive	No
Intelligent Fan Drive	No

## Characteristics

0 Pa	44800 m <sup>3</sup> /h
50 Pa	32900 m <sup>3</sup> /h



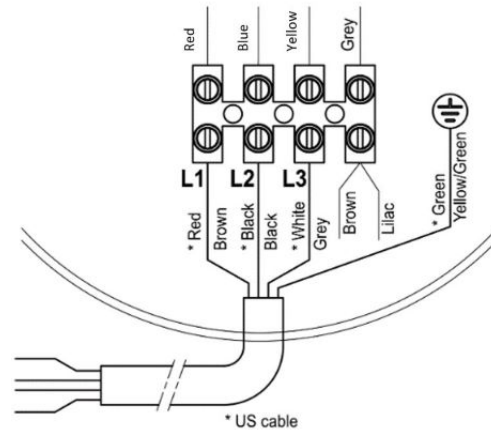
Please note: Picture may deviate from original product

## Approval(s)



## Wiring diagram

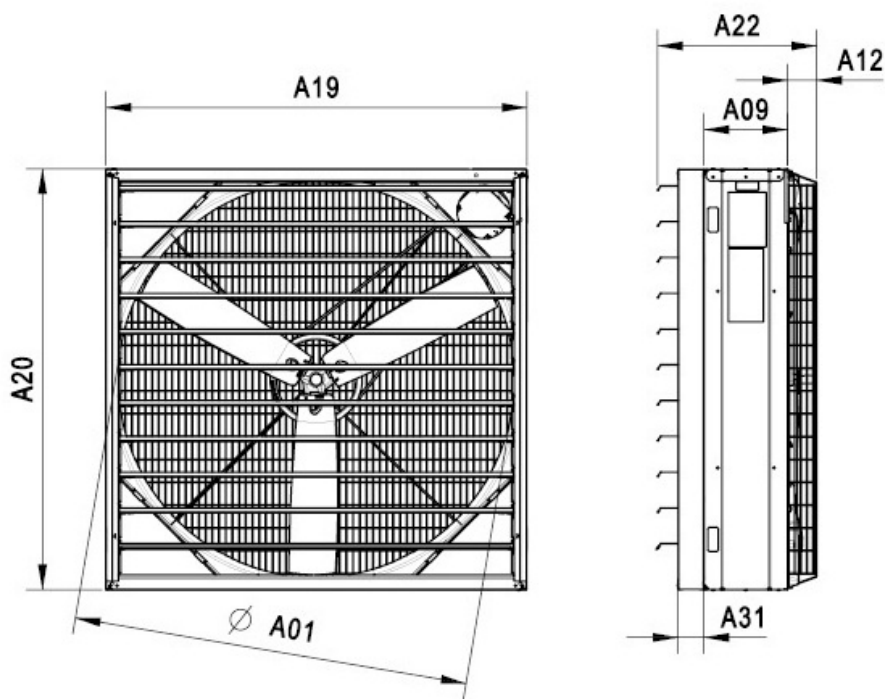
BF01 - 3 Phase - Star connected with luster terminal - CCW



Article number: V4D1500M11236

Galvanised box fans - High volume

### Dimensions



A01:	1284 mm
A09:	275 mm
A12:	96 mm
A19:	1382 mm
A20:	1382 mm
A22:	523 mm
A31:	85 mm