

Kürtő 63-80



GB Mounting instruction

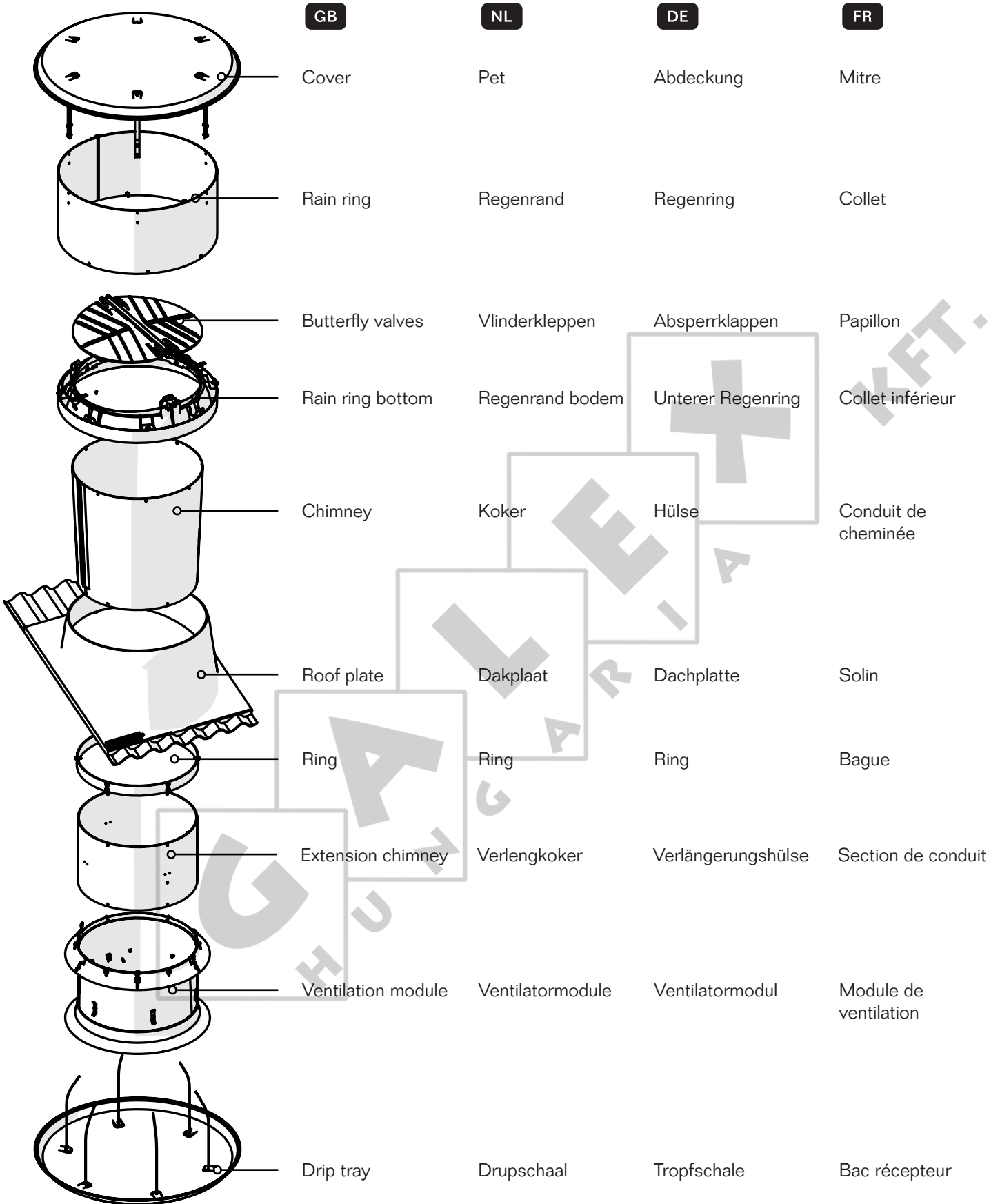
NL Montage-instructie

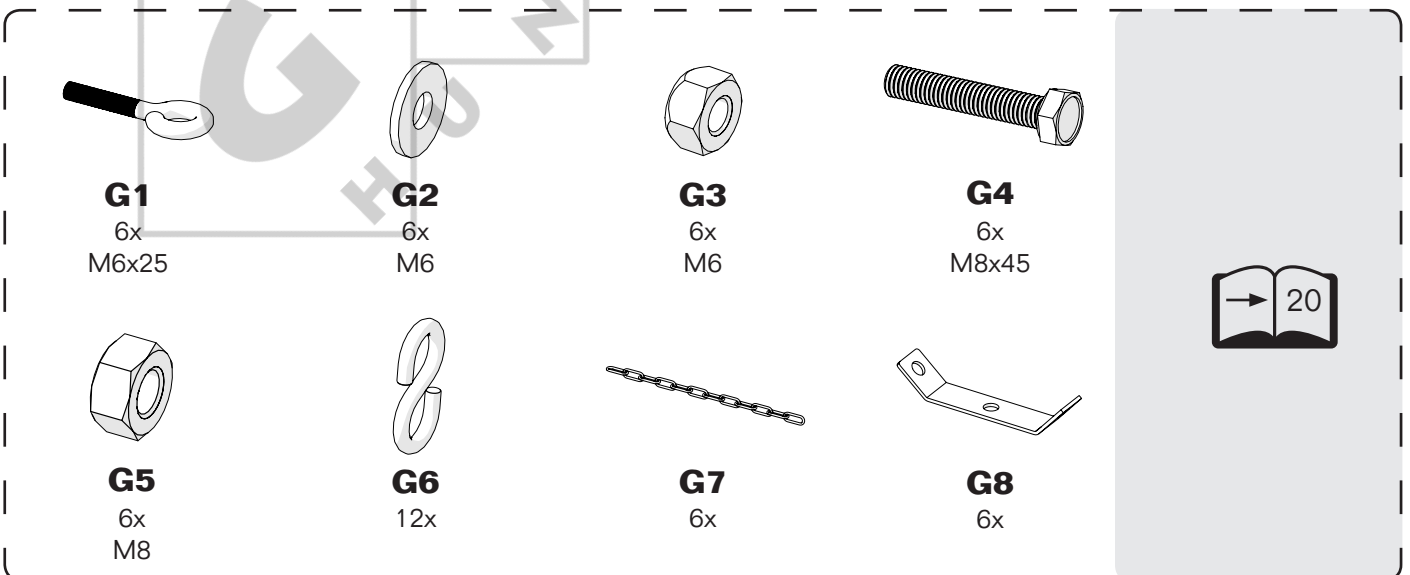
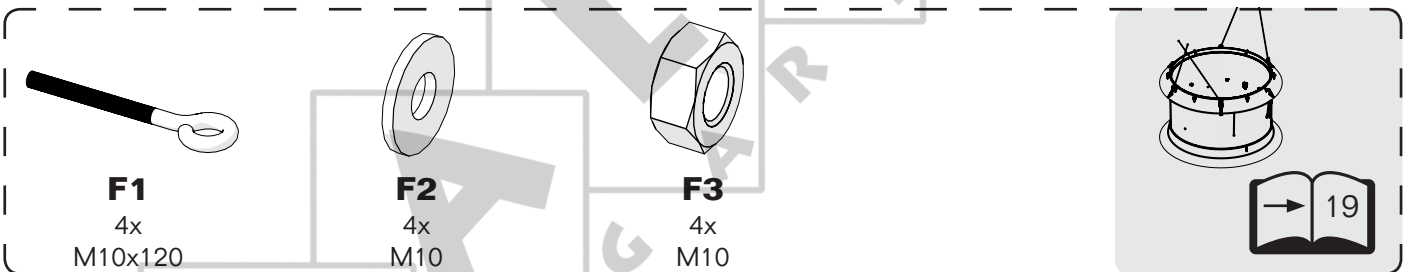
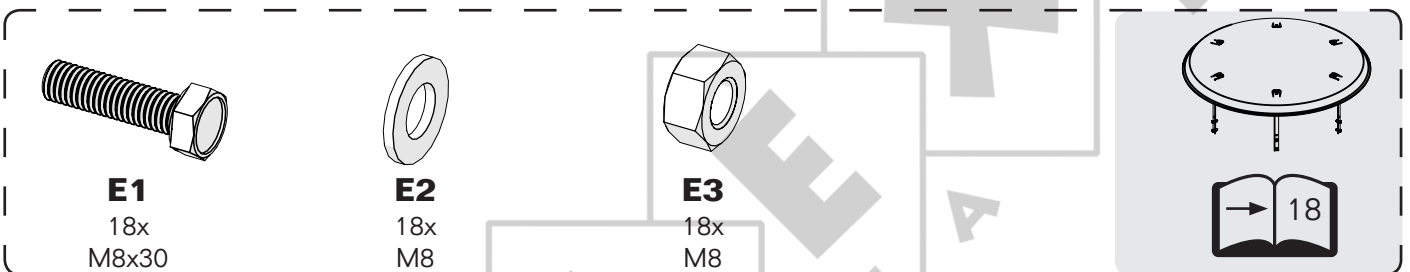
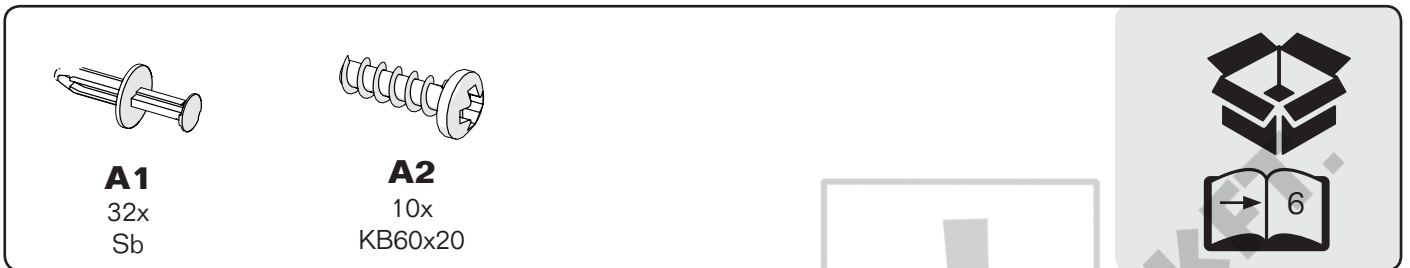
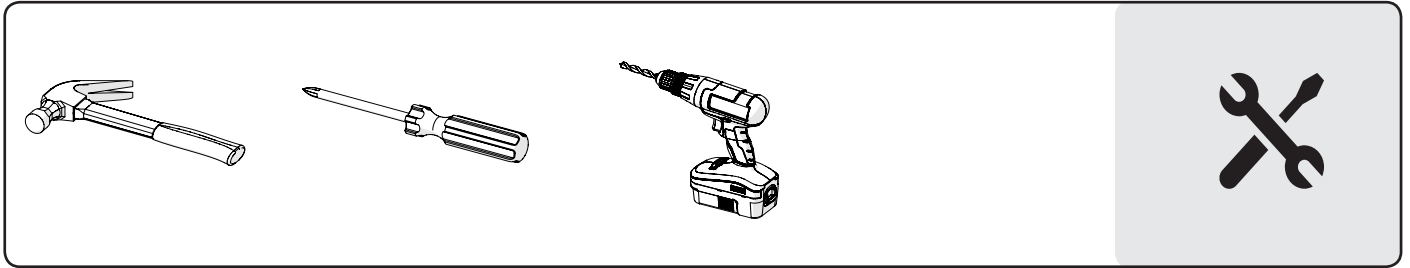
DE Montageanleitung

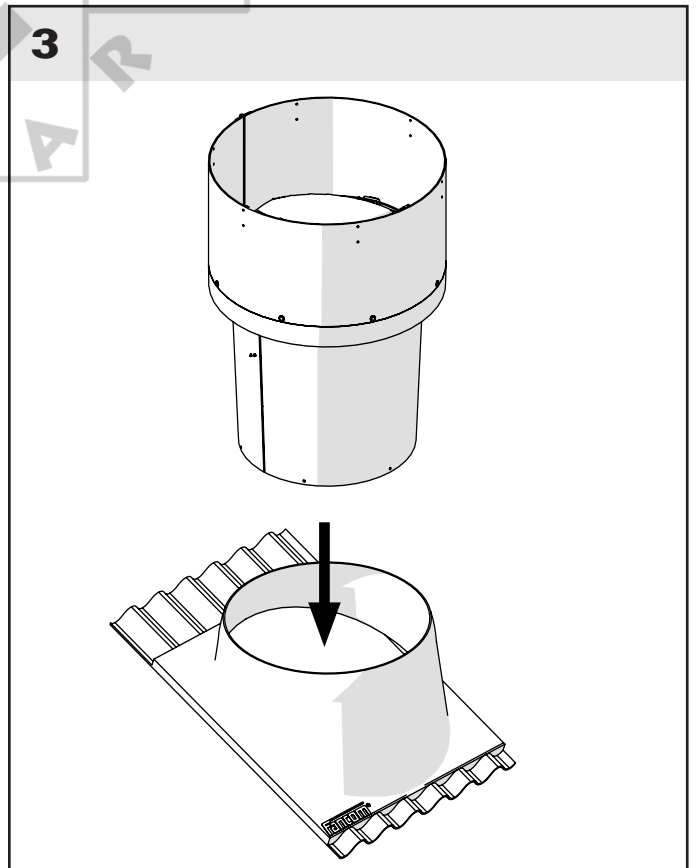
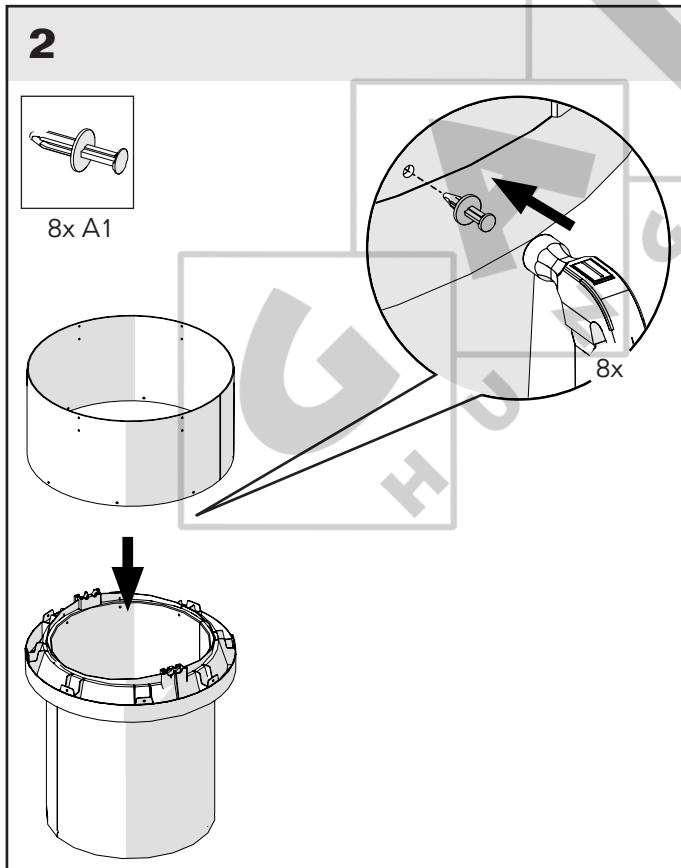
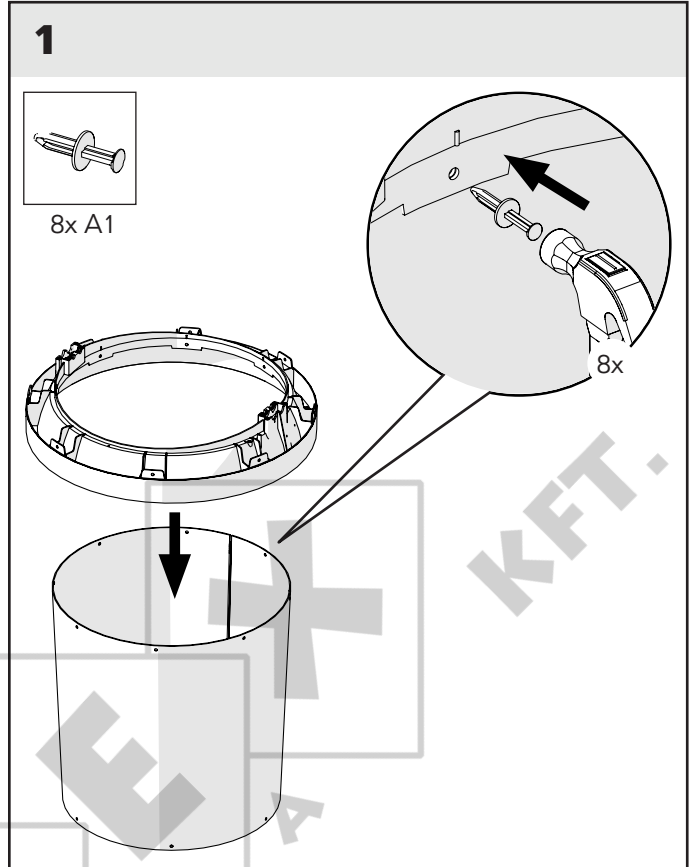
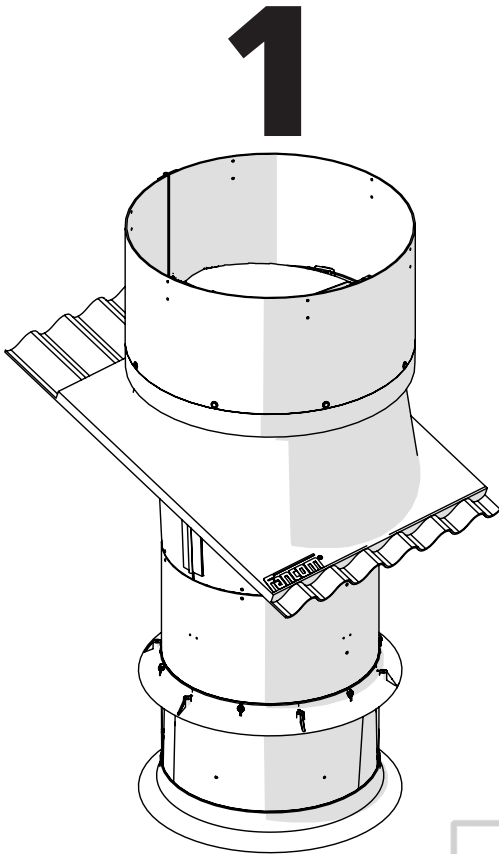
FR Instruction de montage

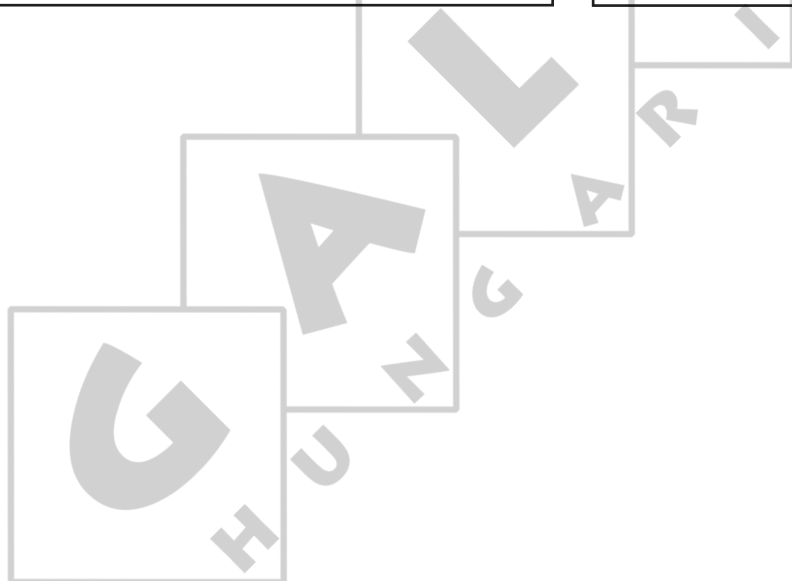
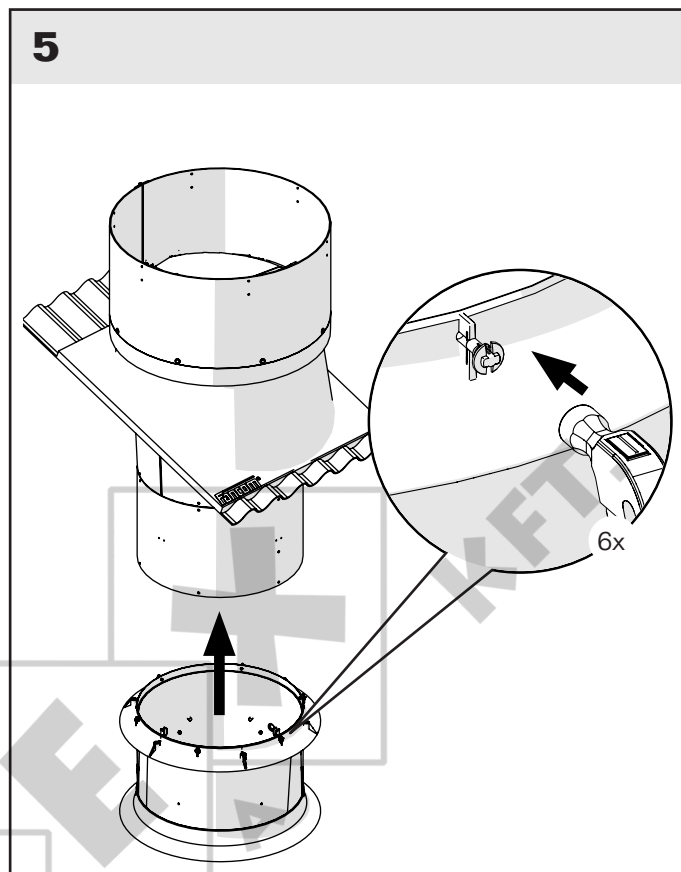
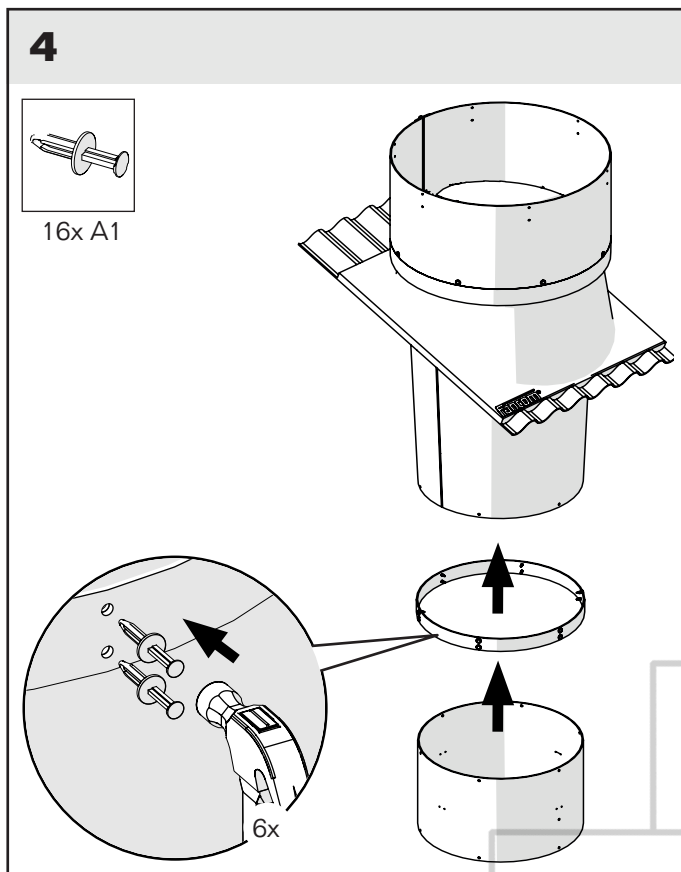
Art.nr. 5912033
20190318

FANCOM[®]
forward thinking

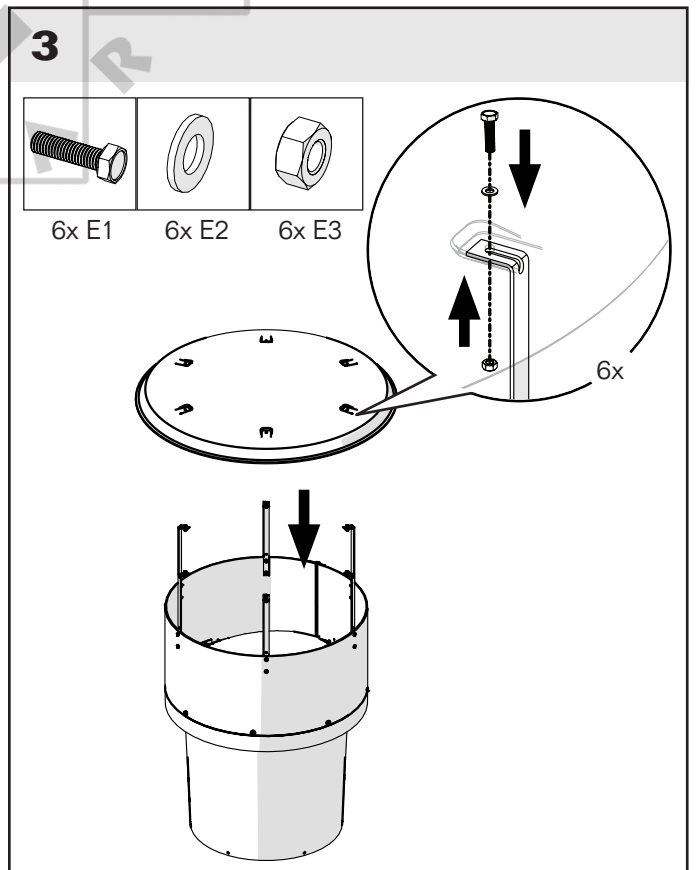
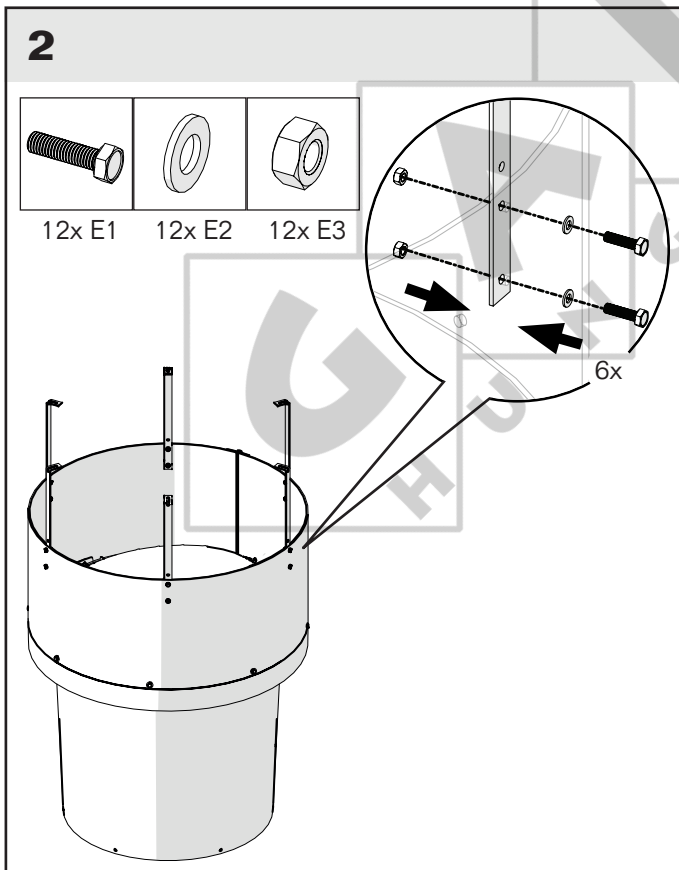
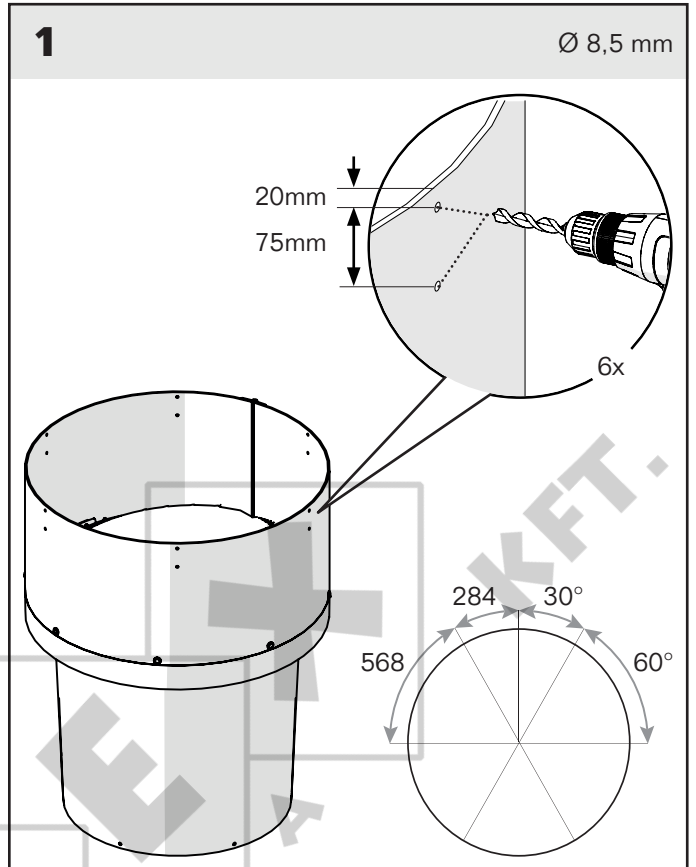
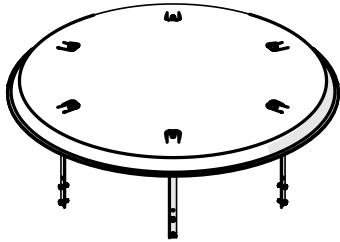




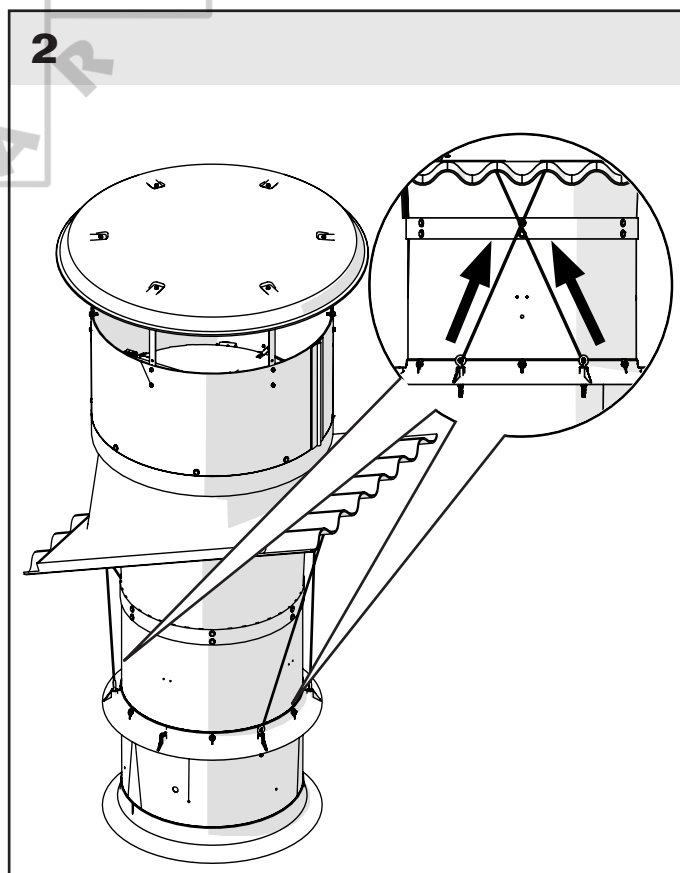
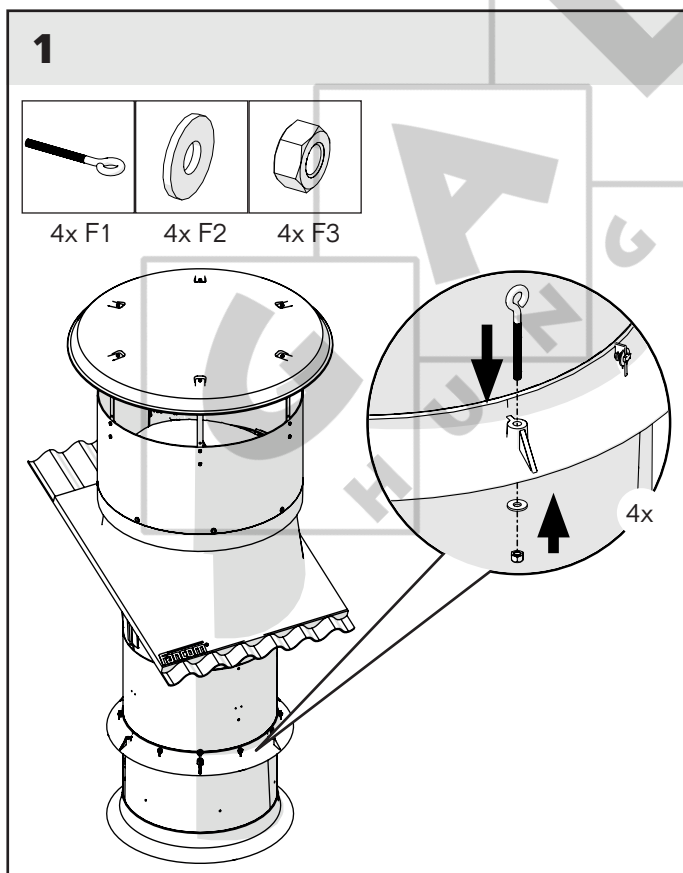
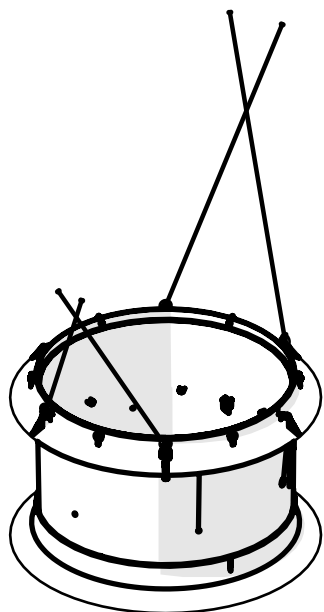




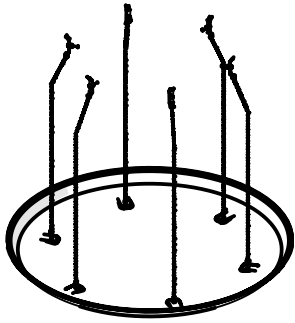
2



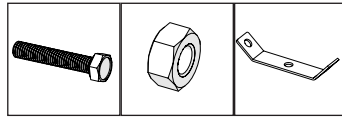
3



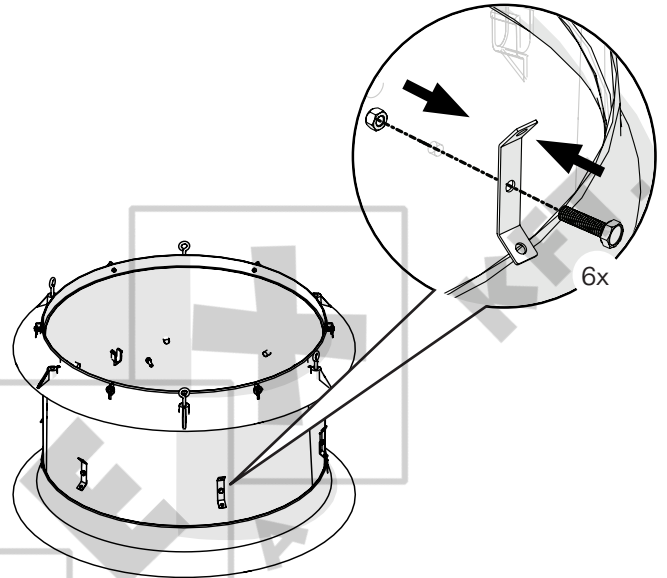
4



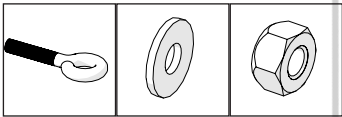
1



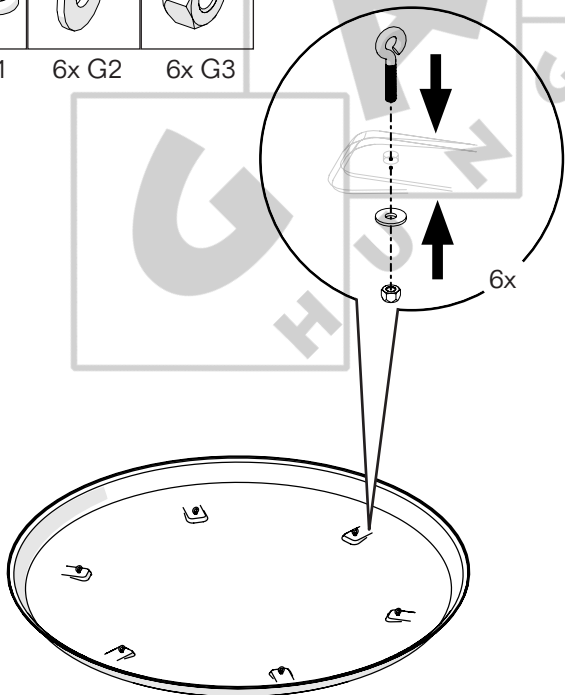
6x G4 6x G5 6x G8



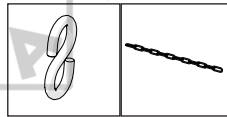
2



6x G1 6x G2 6x G3



3



12x G6 6x G7

