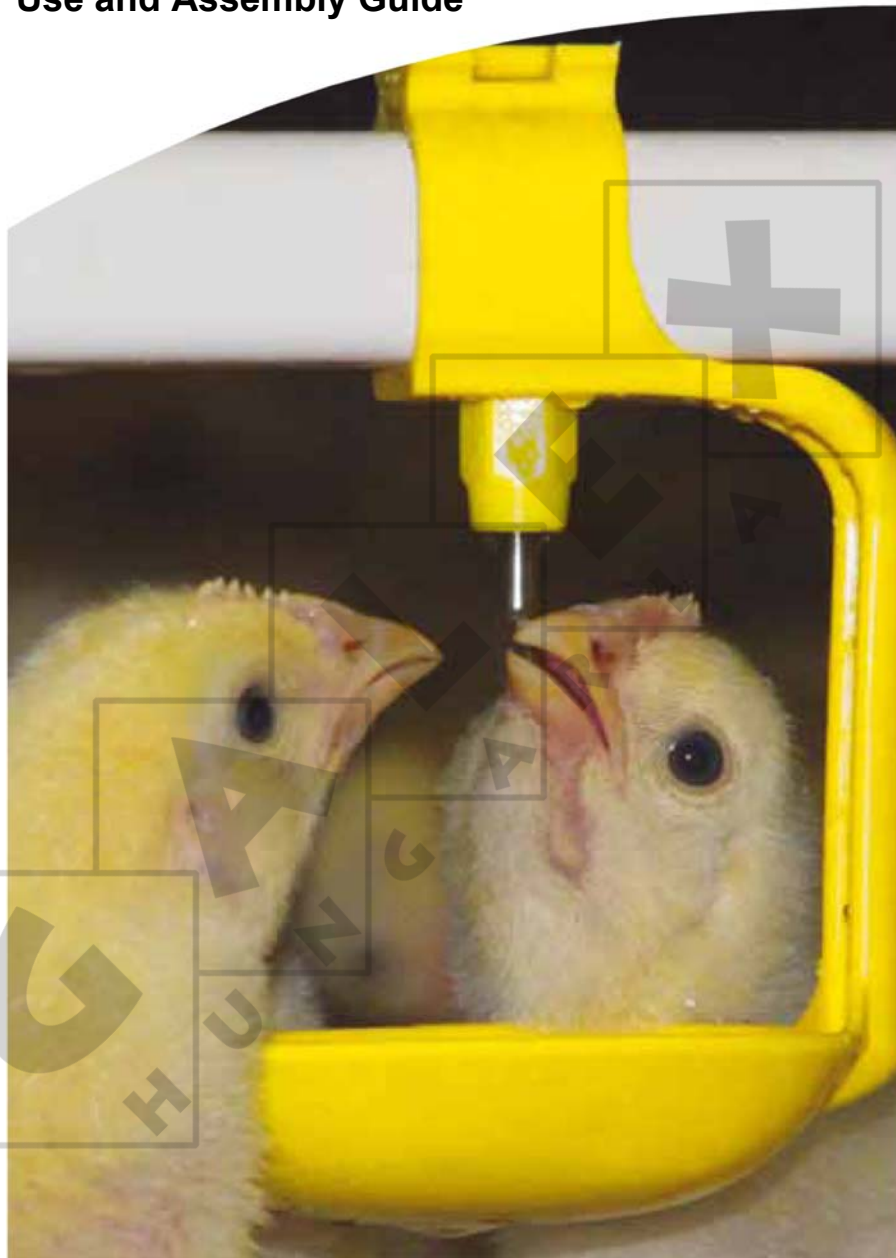




SwiiFlo™

Use and Assembly Guide



Instructions
for the user

Components

Installation
instructions



TABLE OF CONTENTS

DISCLAIMER GENERAL INFORMATION

PART I : INSTRUCTIONS FOR THE USER

HANDWINCH: GENERAL SAFETY RULES	1-3
1. GENERAL DESCRIPTION OF SWII'FLO™	I-4
2. WATER SUPPLY	I-4/6
2.1. WATER QUALITY	I-4
2.2. MINIMUM PRESSURE AND FLOW	I-6
2.3. MINIMUM HEIGHT OF WATER TANK	I-6
2.4. DIAMETER OF SUPPLYING TUBES	I-6
3. WATERPANEL	I-7/15
3.1. FILTER CLEANING, WHEN, HOW?	I-8
3.2. OPERATION OF THE VALVES	I-11
4. TO ADJUST THE LINE HEIGHT	I-16/18
4.1. TO ADJUST HEIGHT OF COMPLETE LINE	I-16
4.2. TO ADJUST LINE WITH 3 HOLE STRING ADJUSTER	I-17
4.3. TO ADJUST LINE WITH THE SUSPENSION SCREW	I-17
4.4. TO ADJUST LINE WITH THE SUSPENSION PLATE	I-18
5. OPERATION OF THE SYSTEM	I-19/23
5.1. MODE OF THE PRESSURE REGULATOR	I-19
5.2. TO REGULATE THE PRESSURE	I-19
5.3. TO USE THE END UNIT	I-21
5.4. TO USE THE INTERMEDIATE SHUT OFF VALVE	I-21
5.5. FLOW OF NIPPLES	I-22
6. TO CLEAN THE SYSTEM	I-25/27
6.1. MANUAL FLUSHING	I-25
6.2. FLUSHING USING OVERFLOW	I-26
6.3. AUTOMATIC FLUSHING	I-27
7. TO ADMINISTER VACCINE OR MEDICATION	I-28/29
8. PERCH PROTECTION AND THE SYSTEM	I-30
8.1. ELECTRICAL PERCH PROTECTION	I-30
8.2. SPINSOFT	I-30
MAINTENANCE INSTRUCTIONS	I-31
TROUBLE SHOOTING GUIDE	I-32
HANDWINCH: TROUBLE SHOOTING GUIDE - MAINTENANCE INSTRUCTIONS	I-35
OPERATOR'S GUIDE	I-36
EC-DECLARATION OF INCORPORATION / EC-DECLARATION OF CONFORMITY	

PART II : COMPONENTS

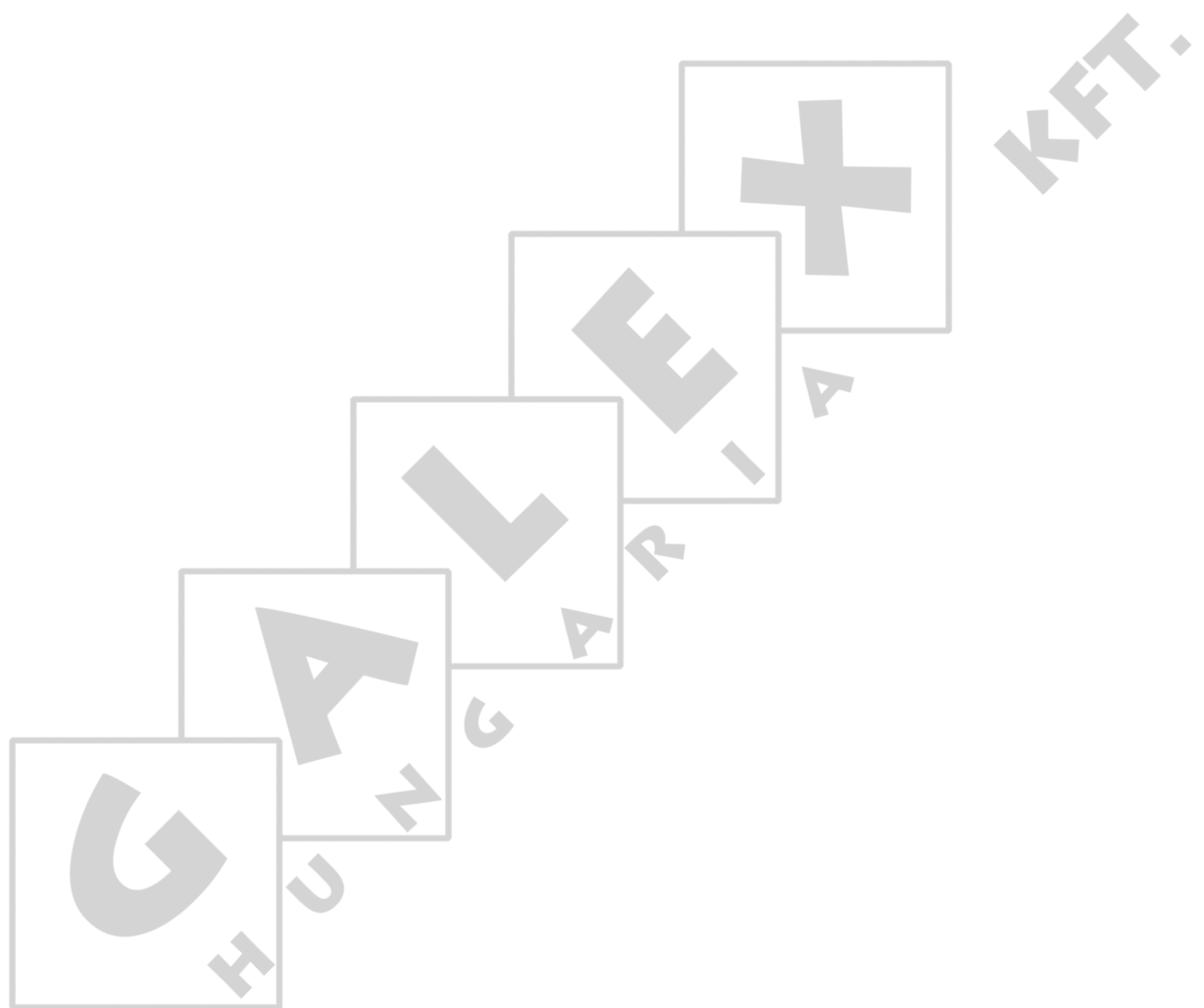
GENERAL VIEW SWII'FLO	II-2
PRODUCT NUMBERS SWII'FLO	II-3
SWII'FLO TUBES	II-4
SWII'FLO UNITS	II-5
PRESSURE REGULATOR LOW PRESSURE	II-6
PRESSURE REGULATOR LOW PRESSURE FOR PROFILE	II-7
END UNIT LOW PRESSURE	II-8
MOUNTING KIT END UNIT FOR PROFILE	II-8
BREATHING UNIT	II-8
DRINKING LINE COMPONENTS	II-9
HOTSPARE SET	II-9
ADJUSTABLE SLOPE REGULATOR KIT	II-10
OPTION : START CUP FOR METAL VALVE	II-10

PVC LINE OUTLET	II-10
PVC STOP 1"	II-11
WATER HOSE DIA. 3/4" - 50M	II-11
SPIRAL HOSE Ø12.5XØ15 - LG=9M	II-11
OPTION : INTERMEDIATE SHUT OFF VALVE - LOW PRESSURE	II-11
OPTION : INTERMEDIATE SHUT OFF VALVE - LP F/PROFILE	II-12
CONNECTION KIT FOR SPIRAL HOSE	II-12
POULTRY PERCH GUARD KIT	II-13
OPTION : PERCH GUARD KIT DRINKINGSYSTEM F/PROFILE	II-13
OPTION : POULTRY PERCH GUARD	II-14
CONNECTION KIT PERCH GUARD CABLE	II-14
SPIN SOFT 50 M	II-14
SPIN SOFT 25 M	II-14
MOUNTING KIT SPIN SOFT	II-15
MOUNTING KIT SPIN SOFT FOR PROFILE	II-15
RFC CONTROLLER ENG./GERM./FR./DUTCH	II-15
RFC CONTROLLER RUSSIAN	II-15
LAYOUT	II-16
AUTOMATIC FLUSH ASS'Y - FRONT	II-17
AUTOMATIC FLUSH ASS'Y - FRONT FOR PROFILE	II-18
AUTOMATIC FLUSH ASS'Y - MID LINE	II-19
AUTOMATIC FLUSH ASS'Y - MID LINE FOR PROFILE	II-20
FLUSH OUTLET ASSEMBLY	II-21
DRAIN TUBE PARTS	II-21
TEMPERATURE SENSOR CONNECTION KIT	II-22
TEMPERATURE SENSOR CONNECTION KIT FOR PROFILE	II-22
WATER PANEL ASS'Y 100MICRON / 55 MICRON - STD. 1"	II-23
PRE ASS.WATER PAN. 100MICRON / 55 MICRON -1" F/DIV.HOUSES	II-24
PVC BYPASS SET	II-25
FILTER SET 100 MICRON / 55MICRON W/ PR. GAUGES	II-26
FILTER SET 100 MICRON / 55MICRON-PR. GAUGES 1 BAR	II-26
MOUNTING KIT FOR WATER PANEL 1"	II-26
OPTION : WATER METER 1" - 4M ³ /HOUR	II-27
CLEANING BRUSH	II-27
PUMP 80L/MIN.W/VESS.60L-230V-50HZ	II-27
PUMP 80L/MIN.W/VESS.60L-230V-60HZ	II-27
LIQUID DISPENSER D25RE2	II-27
SUSPENSION COMPONENTS	II-28
HAND WINCH	II-29
HAND WINCH BRACKET ASS'Y	II-29
HEAVY DUTY PULLEY - METAL	II-30
MOUNTING PLATE FOR HAND OPERATED CENTRAL WINCH	II-30
CENTRAL WINCH - DRINKING LINE	II-30
TELESCOPICAL WINCH DRIVE TUBE	II-30

PART III : INSTALLATION INSTRUCTIONS

HANDWINCH: GENERAL SAFETY RULES	III-3
GENERAL VIEW SWII'FLO	III-4
PRODUCT NUMBERS SWII'FLO	III-5
TOOLS	III-6
FLOOR SLOPE	III-7
WATERPANEL - GENERAL VIEW	III-8
TO INSTALL THE SUSPENSION POINTS	III-9
OVERVIEW SUSPENSION DRINKING LINES - FRONT HAND WINCH	III-10
TO PREPARE THE ASSEMBLY OF THE HAND WINCH	III-11
TO MOUNT ON THE WALL	III-12
TO INSTALL THE MAIN CABLE	III-14

TO FIX THE SUSPENSION CORDS	III-15
OVERVIEW SUSPENSION DRINKING LINES - CENTRAL HAND WINCH	III-16
TO INSTALL THE WINCH AT THE MOUNTING PLATE	III-17
POSITION OF THE MAIN CABLE OF CENTRAL WINCH	III-18
TO INSTALL THE DRINKING LINE - TO ASSEMBLY TUBE WITH CUPS	III-19
MID LINE CONFIGURATION	III-19
TO INSTALL THE THREE HOLE STRING ADJUSTER	III-22
TO INSTALL LINE WITH THE SUSPENSION SCREW (LINE ADJUSTING WITH FLOOR)	III-22
TO INSTALL LINE WITH THE SUSPENSION PLATE	III-23
ASSEMBLY FRONT LINE MODEL	III-24
ASSEMBLY MID LINE MODEL	III-24
TO START INSTALLATION OF DRINKING LINE	III-25
FIRST SUSPENSION POINT - SECOND SUSPENSION POINT	III-25
TO INSTALL SECOND UNIT + FOLLOWING	III-26
TO INSTALL THE PRESSURE REGULATOR	III-27
TO INSTALL THE PRESSURE REGULATOR TO THE DRINKING LINE	III-28
TO INSTALL THE END UNIT	III-30
TO INSTALL THE POULTRY PERCH GUARD	III-32
TO CONNECT THE CABLE OF THE POULTRY PERCH GUARD	III-35
TO DIVIDE THE CABLE FOR LINES LONGER THAN 50 M	III-36
TO CONNECT THE POULTRY PERCH GUARD	III-37
OPTION: SPIN SOFT	III-39
TO INSTALL THE DRINKING LINE - ALUMINIUM PROFILE	III-41/55
WITHOUT PERCH GUARD	III-41
SPIN SOFT	III-42
WITH PERCH GUARD	III-42
ASSEMBLY - FRONT	III-44
FIRST SUSPENSION POINT	III-48
SECOND SUSPENSION POINT	III-49
TO INSTALL THE END UNIT	III-50
TO INSTALL THE POULTRY PERCH GUARD	III-52
TO CONNECT THE WATER SUPPLY	III-56
OPTION: SPIRAL HOSE	III-58
OPTION: MID LINE SHUT-OFF VALVE	III-59
OPTION: MID LINE SHUT-OFF VALVE - ALUMINIUM PROFILE	III-61
OPTION : START CUP	III-62
AUTOMATIC FLUSHING FRONT	III-63
OPTION: TO CONNECT THE SPIRAL HOSE	III-66
AUTOMATIC MID LINE FLUSHING	III-67
TO CONNECT THE TEMPERATURE SENSOR	III-69
AUTOMATIC FLUSHING FRONT - ALUMINIUM PROFILE	III-70
AUTOMATIC MID LINE FLUSHING - ALUMINIUM PROFILE	III-72
TO CONNECT THE ELECTRICAL FLUSH CONTROLLER	III-74
TO INSTALL THE DRAIN TUBE	III-79



DISCLAIMER : The original, authoritative version of this manual is the English version produced by ROXELL bvba. Subsequent changes to any manual made by any third party have not been reviewed nor authenticated by Roxell. Such changes may include, but are not limited to, translation into languages other than English, and additions to or deletions from the original content. Roxell disclaims responsibility for any and all damages, injuries, warranty claims and/or any other claims associated with such changes, inasmuch as such changes result in content that is different from the authoritative Roxell-published English version of the manual. For current product installation and operation information, please contact the customer service and/or technical service departments of Roxell. Should you observe any questionable content in any manual, please notify Roxell immediately in writing to: ROXELL bvba - Industrielaan 13, 9990 Maldegem - Belgium.

GENERAL INFORMATION

THESE INSTRUCTIONS MUST BE READ, UNDERSTOOD AND ALL POINTS OBSERVED BY THE USER, THE RESPONSIBLE AND OPERATING PERSONNEL.

1. OBEY THE LEGAL REGULATIONS AND THE APPLICABLE RULES!

This concerns, among other things, the European directives transposed into national legislation and/or the laws, safety and accident prevention regulations that apply in the user's country.

During assembly, operation and maintenance of the installation the legal regulations concerned and the applicable technical rules must be obeyed.

2. INTENDED USE

The installation has been designed solely for intensive livestock use and has been developed according to the applicable rules of good workmanship. Extra loading of the product is therefore prohibited. Any other use is considered to be improper use. The manufacturer is not responsible for damage resulting there from. The user bears sole responsibility.

3. NOT-INTENDED USE

All use different than described in point 2" intended use" is at the responsibility of the end user.

4. LIABILITY

The (Extended) Warranty will not apply if any of the following has occurred: failure to conduct incoming goods inspection with regards to the Products, improper handling, transportation, modification or repair; accident, abuse or improper use; improper assembly, installation, connection or maintenance (having regard to Roxell's most current assembly, installation, connection and maintenance manuals); force majeure; negligence, lack of supervision or of maintenance on the part of customer; normal wear and tear; use of cleansing agents and disinfectants that are excluded in Roxell's most current use and maintenance manuals; use of cleansing agents and disinfectants in violation with the instructions received from the suppliers; or use of the Products in an ATEX-surrounding.

The (Extended) Warranty shall not apply in the event of a defect caused either by materials or accessories supplied by or services rendered by Customer, or by an intervention by a person or entity which is not authorised or qualified for carrying out such intervention. Furthermore, the (Extended) Warranty will only apply if the Products are used in livestock houses and if all parts or components of the Products are supplied by Roxell.

Roxell will not be liable for any damages caused due to improper use, assembly, installation, connection or maintenance of the Products. In this respect, the Customer expressly acknowledges that (i) all use, assembly, installation, connection or maintenance must be done in accordance with Roxell's most current assembly, installation, connection and maintenance manuals and (ii) the electrical installation on which the Products must be connected must be done in accordance with applicable local legislation on electrical installations. Furthermore, the Products must be tested both mechanically and electrically in accordance with state of the art techniques and applicable local legislation.

5. PERSONNEL QUALIFICATIONS

USER:

The person who uses a function or operation of a product for their work or who works on the product. The user must be able to read the instructions for use and fully understand them. The user has knowledge of the functioning and construction of the installation.

TECHNICALLY TRAINED PERSON:





An expert who can assemble and maintain the installation (**mechanically/electrically**), and resolve malfunctions. On the basis of his/her technical training and experience, he/she has sufficient knowledge to be able to assess activities, recognise possible dangers and rectify dangerous situations.

6. INFORMATION ABOUT THE RESIDUAL RISKS - USED SAFETY SIGNS

There are three levels of danger, which you can recognize from the signal word

- * **DANGER**
- * **WARNING**
- * **CAUTION**

The nature and source of the imminent danger and possible consequences of not obeying warnings is stated here!

 <p>DANGER</p>	<p>DANGER indicates a direct imminent danger that can result in a serious or even fatal accident if the safety measures are not respected.</p>
 <p>WARNING</p>	<p>WARNING indicates a possible imminent danger that can result in a serious accident or damage to the product if the safety measures are not respected.</p>
 <p>CAUTION</p>	<p>CAUTION indicates possible, dangerous situations that can result in minor physical injury or material damage if the safety measures are not respected.</p>
	<p>This symbol refers to supporting information.</p>
<p> <input checked="" type="checkbox"/> allowed <input type="checkbox"/> not allowed </p>	

7. STORAGE

Put all parts to be assembled in a room or at a location where the not yet assembled components are protected against weather influences.

8. TRANSPORT

Depending on the size of the parts and according to local circumstances and local legislation, the parts of the machine have to be transported with a forklift.

The forklift must be operated by a qualified person and in accordance with the rules of good workmanship.

When lifting the load, always check if the center of gravity of the load is stable.

9. DISMANTLING

Dismantle the installation and its components in accordance with the environmental legislation of the country or the local authorities applicable at that time. All functioning products and exchange parts must be stored and disposed of in accordance with the applicable environmental regulations.

Environmental information for customers in the European Union



European directive 2002/96/EC amended by the Directive 2008/34/EC requires that equipment that bears this symbol on the product or packaging must not be disposed of with unsorted household waste. This symbol indicates that the product must be disposed of separately. You are yourself responsible for the destruction of this and other electrical and electronic equipment via the disposal channels designated for that purpose by the national or local government. The correct destruction and recycling of this equipment prevents any negative consequences for the environment and health. For more information about destroying your old equipment, contact your local authorities or waste disposal service.

Information about waste disposal - electrical/electronic material for companies

1. In the European Union

If you have used the product for commercial purposes and you want to dispose of it, contact Roxell who will give you information about the return of the product. It is possible that you will have to pay a disposal charge for the return and recycling. Small products (and small quantities) can be processed by the local collection agencies.

2. In other countries outside the European Union

If you want to dispose of this product, contact the local authorities for information concerning the correct disposal procedure.

10. THE LEVEL OF NOISE EMISSION

The noise level of the installation in operation does not exceed 70dB(A).

11. LOCK OUT TAG OUT – LOCK METHOD GENERAL

- Everyone needs his own lock and tag (label), which can't be removed by other persons.
- Inform all persons who are influenced by the procedure.
- Localize all sources of energy (electric, hydraulic, pneumatic).
- Switch off.
- Lock out and tag out.
- Check if the source of energy is switched off.
- Remove any remaining energy.

12. USE PERSONAL PROTECTIVE EQUIPMENT.

Ensure you wear personal protective equipment (gloves, dust masks...).

13. SUFFICIENT LIGHTING - ILLUMINANCE

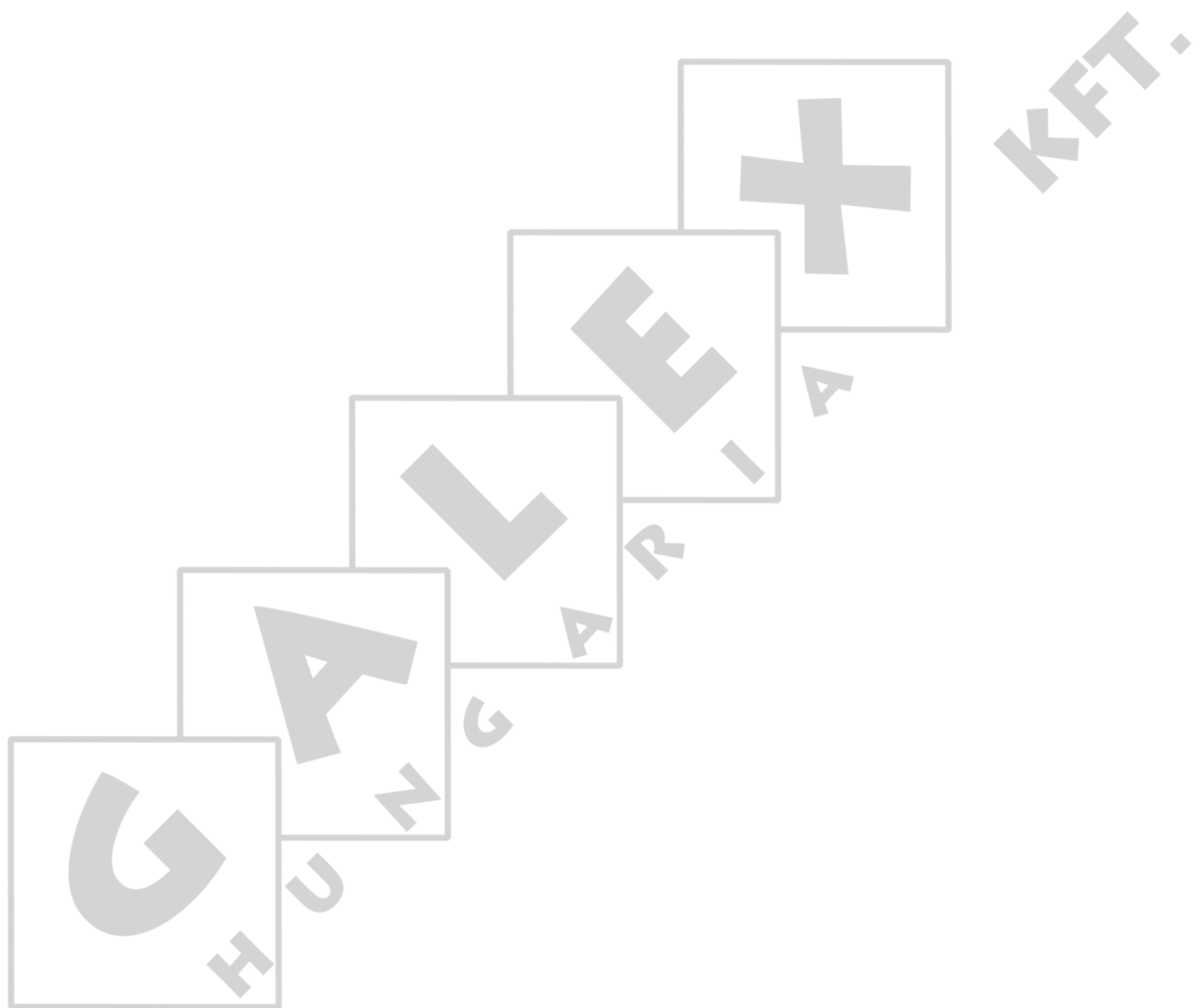
- **A minimum illuminance of 200 lux is necessary** during usage, maintenance and installation.
- Provide at the installation **(portable) emergency lighting in case of power failure.**

14. ELECTRICAL EQUIPMENT, CONTROL PANELS, COMPONENTS AND DRIVE UNITS

- To operate control panels, there must be **at least 70 cm of free space.**
- Control panels must **always remain closed.** The key of the control panel must be in possession of an authorized person.
- The necessary measures must be taken by the user to keep out **rats, mice and other vermin from the control panels**
- If electrical equipment, control panels, components and drive units are damaged, the system must be stopped **IMMEDIATELY!**
- Electrical equipment, control panels, components and drive units should **NEVER be sprayed with water or other liquid!**
- Electrical equipment, control panels, components and drive units should **NEVER be covered with any material.**

PART I

INSTRUCTIONS FOR THE USER



G
H

A
U

L
N

E
R

A
+

KET.

HAND WINCH GENERAL SAFETY RULES

Handlier voor drinklijnen voor pluimvee
Hand winch for drinking lines for poultry



DANGER

IMPORTANT
Carefully read the following instructions before
USING the system

1. **PAY ATTENTION** when **WINCHING UP** or **WINCHING DOWN** the drinking lines:
 - **STOP** the handling in case of any malfunctioning.
 - **NEVER** stand **UNDERNEATH** the load when winching up or putting down the drinking lines.
2. **NEVER ALLOW UNAUTHORIZED PERSONS ENTER** the house during your absence.
3. **DON'T** wear **loose** clothing.
4. Only **adults** may handle the hand winch.
5. Only use the hand winch for **suspension of a ROXELL drinking line**.
6. Only use the hand winch with the **supplied handle**.
7. **ALWAYS** check the **condition of the hand winch and the cable** before operating.
A **ravelled, kinked or damaged cable** must be replaced **IMMEDIATELY**.
A **loose or damaged hand winch** must be replaced **IMMEDIATELY**.
8. **ALWAYS** check before use, if the **cable tie** on the drum weldment is ok.
9. **ALWAYS** check before use, if the **cable is not damaged**.
10. **ALWAYS** check that there are **at least 4 cable windings** on the drum weldment.
11. **NEVER** touch the **cable** and the **rotating parts** of the hand winch when in use.
12. Only use the hand winch when **NOBODY** is standing **underneath the load**.
13. **ALWAYS** look **at the load** while using the hand winch.
14. Always turn the handle **fluently**.
15. **PREVENT** that the load makes a **shocking movement**.
16. **Don't use water** to clean the hand winch.



FORBIDDEN: NEVER use the hand winch to lift persons.



DANGER: Getting jammed by the handle may cause **SERIOUS INJURIES**.

1. GENERAL DESCRIPTION OF SWII'FLO™

SWII'FLO™ IS A NIPPLE DRINKING SYSTEM FOR THE SUPPLY OF DRINKING WATER TO POULTRY. DIFFERENT NIPPLE TYPES ARE AVAILABLE. INGOING WATER PRESSURE IS 3 BAR. THE OUTGOING PRESSURE IS CONTROLLED BY A PRESSURE REGULATOR. IN THIS SYSTEM THE NIPPLE LINES ARE WINCHABLE TO ADJUST THEIR HEIGHT ACCORDING TO THE AGE OF THE FLOCK.

2. WATER SUPPLY

2.1. WATER QUALITY



WARNING

THE HEALTH OF THE ANIMALS DEPENDS ON THE QUALITY OF THEIR DAILY DRINKING WATER.

The water quality depends on:

- The phosphate, nitride, nitrite, chloride, iron, calcium and other concentrations.
- The deposits in the lines.
- The administration of medication.
- Cleaning and disinfection.

HAVE THE WATER CHECKED AT REGULAR INTERVALS!

MAXIMUM ALLOWABLE CONCENTRATION:

Ammonia	< 1 mg/l	(3.78mg/GAL)	Sulfates	< 100 mg/l	(378mg/GAL)
Chlorides	< 200 mg/l	(757mg/GAL)	Iron	< 0,2 mg/l	(0.76mg/GAL)
Phosphates	< 0,01 mg/l	(0.038mg/GAL)	Salt	< 1 mg/l	(3.78mg/GAL)
Manganese	< 0,1 mg/l	(0.38mg/GAL)	pH-value	5-8	
Nitrate	< 0,25 mg/l	(0.95mg/GAL)	Hardness	<15	(°DH)
Nitrite	< 0,1 mg/l	(0.38mg/GAL)			

SOURCE: EUROPEAN DIRECTIVE 2000/60/EC WATER POLICY

<http://eur-lex.europa.eu/legal-content/nl/TXT/?uri=CELEX%3A52007PC0871>

PHOSPHATES/NITROGENS:

ALGAL GROWTH:

Algae are organisms that use carbon dioxide as source of carbon for the production of new cell material. The required energy is provided by sunlight.

Algae blooms occur in standing or slowly moving water, usually having a **high phosphate and nitrogen load (ammonia and nitrate)**.

Optimal growth temperature for algae:

18-45°C, pH value: 5-8.

Algae death due to lack of light and/or nutrients leads to mineralization by bacteria with oxygen consumption.

IMPACT ON WATER	pH increase due to large amounts of carbon dioxide that are extracted from the water.
IMPACT ON SYSTEM	Cause: Loosened micro culture substances. Effect: Valve/nipples leakages.
ACTION	Remove deposits using stabilized hydrogen peroxide (H₂O₂) based products.

NITRATE / NITRITE:

Nitrate concentration > 0.25 mg/l: sandy soils with intensive livestock farming.

Ammonia concentration > 1 mg/l: in peaty soils.

Water from these soils usually has higher nitrite content. **Unfit for consumption!**

IMPACT ON HEALTH	Direct consumption of nitrite is deadly! Nitrate is converted to ammonia in the body. One of the intermediate compounds is nitrite. When the chemical reaction is not completed (for some time), death ensues.
 DANGER	
ACTION	Nitrate concentration ≤ 0.25 mg/l / Nitrite concentration ≤ 0.1 mg/l !

<p>Iron: When water is pumped to the surface, iron occurs in its soluble ferrous form. The insoluble ferrous ions oxidize upon exposure to air or dissolved oxygen. These and other chemical reactions cause insoluble gelatinous deposits.</p>	
<p>Impact on the water</p>	<p>Hardly any impact on health. Neutralizes the effectiveness of medication. Alters the taste, resulting in decreased water consumption.</p>
<p>Impact on system</p>	<p>Cause: Gelatinous compounds. Effect: Harmful to nipples, electric water valves if used.</p>
<p>Action</p>	<p>Eliminate the iron from the system if iron content > 0.2 mg/l!</p>
<p>Calcium: Hardness:</p> <ul style="list-style-type: none"> - Any deposits in the lines will usually remain there. - If a chemical reaction takes place between mineral substances present, some inorganic compounds can serve as energy and nutrient source for the micro-organisms living in the water. 	
<p>Impact on health</p>	<p>Not harmful. Alters the taste, resulting in decreased water consumption.</p>
<p>Impact on system</p>	<p>Cause: Water becomes more conductive. Effect: Corrosion and calcium deposits.</p>
<p>Action</p>	<p>Soften the water.</p>
<p>Medication</p>	
<p>Harmful effects of medication</p>	<p>A. Some substances in the medication may loosen the organic deposits in the lines. B. Antibiotics: high risk of strong and rapid growth of moulds that use the sugar of some medicines as nutrient, resulting in gelatinous deposits.</p>
<p>Impact on health</p>	<p>Products lose their effectiveness.</p>
<p>Impact on system</p>	<p>A. Cause: Some substances in the medication loosen the organic deposits in the lines. Effect: Nipple leakages. B. Cause: Gelatinous deposits. Effect: Obstructions</p>
<p>Action</p>	<p>Make sure lines are clean before administering medication. Clean the drinking system at regular intervals. Disinfect and flush properly after each medication. Residues of cleaning agents may reduce the effectiveness of the medicines.</p>
<p>Cleaning and disinfection</p>	
<p>Keep in mind the strength of the solutions and follow the supplier's instructions for use! Always read the instructions of cleaning agents and disinfectants! Check whether the product may be used in an occupied house! Be aware of the implications of the combined use of different types of cleaning agents and disinfectants!</p>	
<p>Calcium and iron deposits (inorganic)</p>	<p>Remove using acid agents.</p>
<p>Bacteria and moulds</p>	<p>Remove using a chlorine-based disinfectant.</p>
<p>Organic deposits</p>	<p>Remove using an alkaline cleaning agent.</p>
<p>Clean and disinfect the lines at regular intervals. Most agents only work properly with regular cleaning. Disinfect and flush properly after each medication.</p>	

2.2. MINIMUM PRESSURE AND FLOW

 WARNING	MAX. INGOING PRESSURE IS 9 BAR!
---	--

Pressure range:	Roxell Water panel & pump suitable for:		
	Water tank	Pump	
Regular operation:	≥ 0,4 Bar	2 - 3 Bar	Restriction / No restriction /
Automatic flushing:	-	2 - 3 Bar	Light programme no light programme
Flow:	≥ 10 l/min/line		5 regulators 8 regulators

2.3. MINIMUM HEIGHT OF WATER TANK

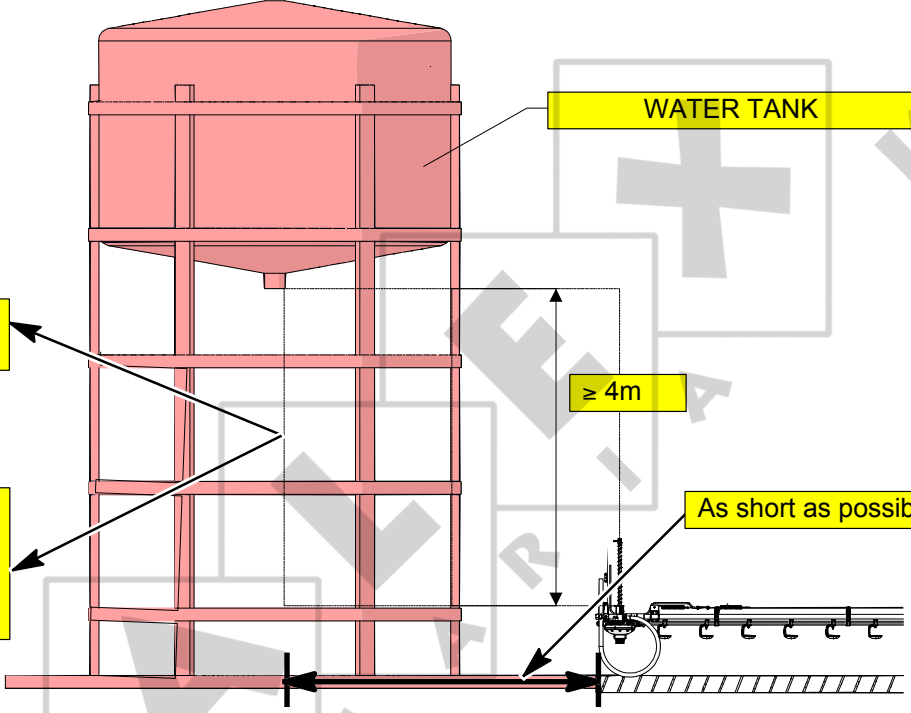
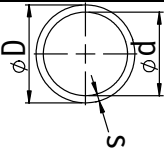


FIGURE 1.

2.4. DIAMETER OF SUPPLYING TUBES

Water supply specification after filter			
	Inside diameter inch		
	Pressure regulator in front 2-3 lines / house:	Pressure regulator central	Pump capacity
2-3 lines / house:	1"	1"	3 Bar - 50 l/min
4-5 lines / house:	1"	1 1/2 "	3 Bar - 50 l/min
6-7 lines / house:	1 1/2 "	1 1/2 "	3 Bar - 80 l/min
Dn	Fe (")	PVC (")	PVC (mm)
	D	D x d	D x s
1"	1"	1 " x 3/4 "	Ø 32 x 2.4 mm
1 1/2"	1 1/2 "	1 1/2 " x 1 1/4"	Ø 50 x 3.7 mm

3. WATER PANEL

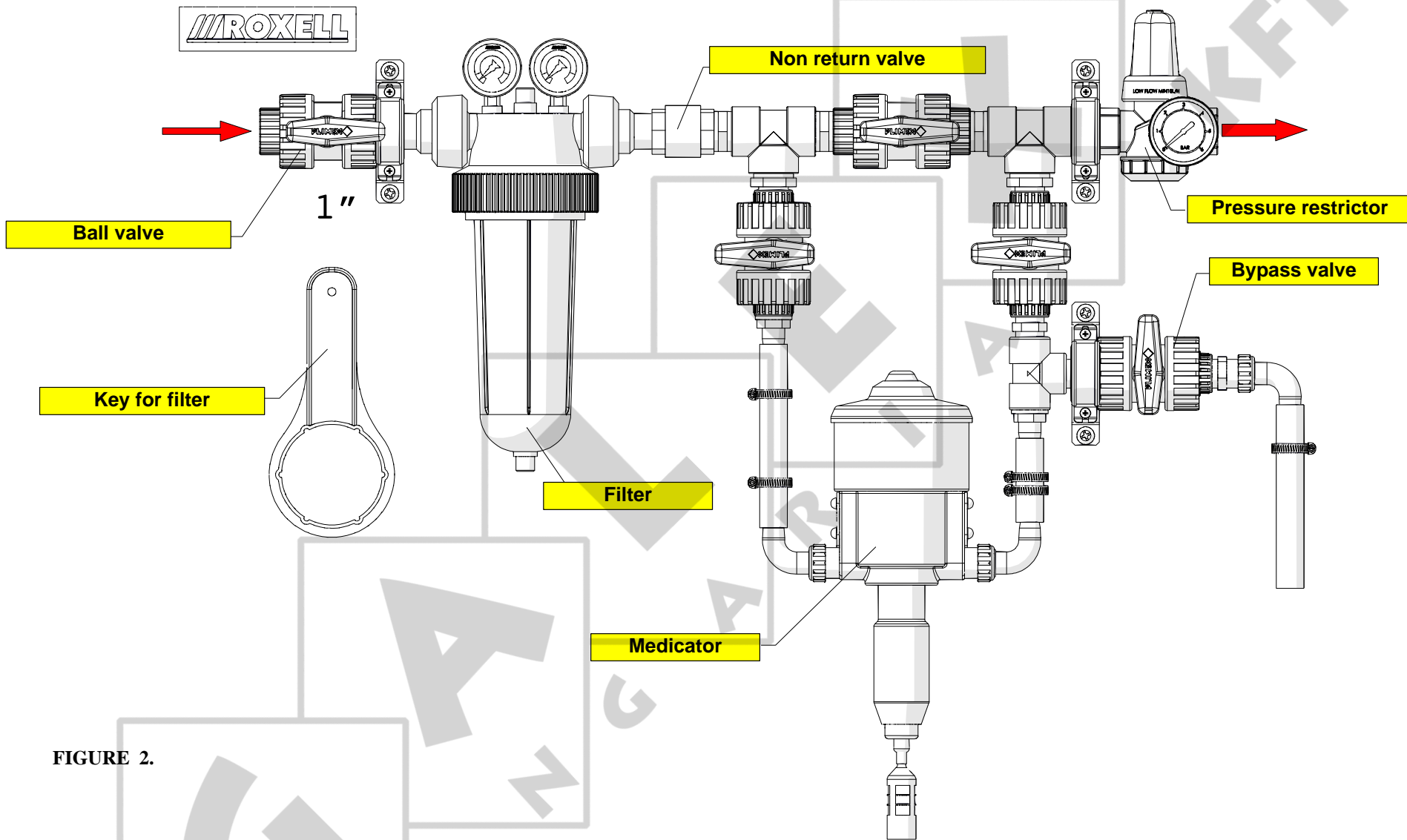


FIGURE 2.

3.1. FILTER CLEANING, WHEN, HOW?

General rule: when the difference between the inlet and outlet gauges > 0.5 bar!

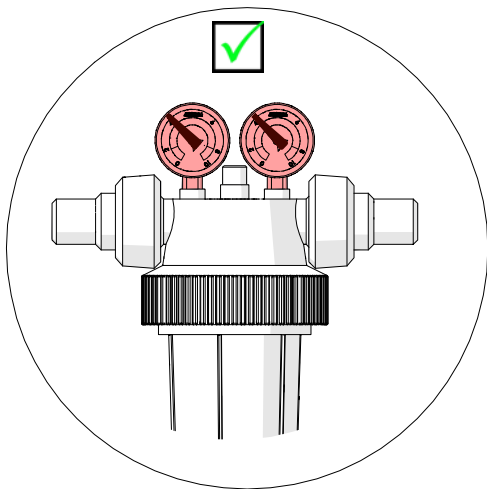


FIGURE 3.

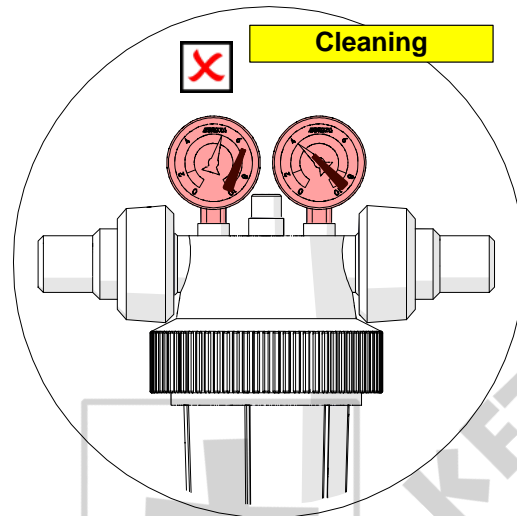
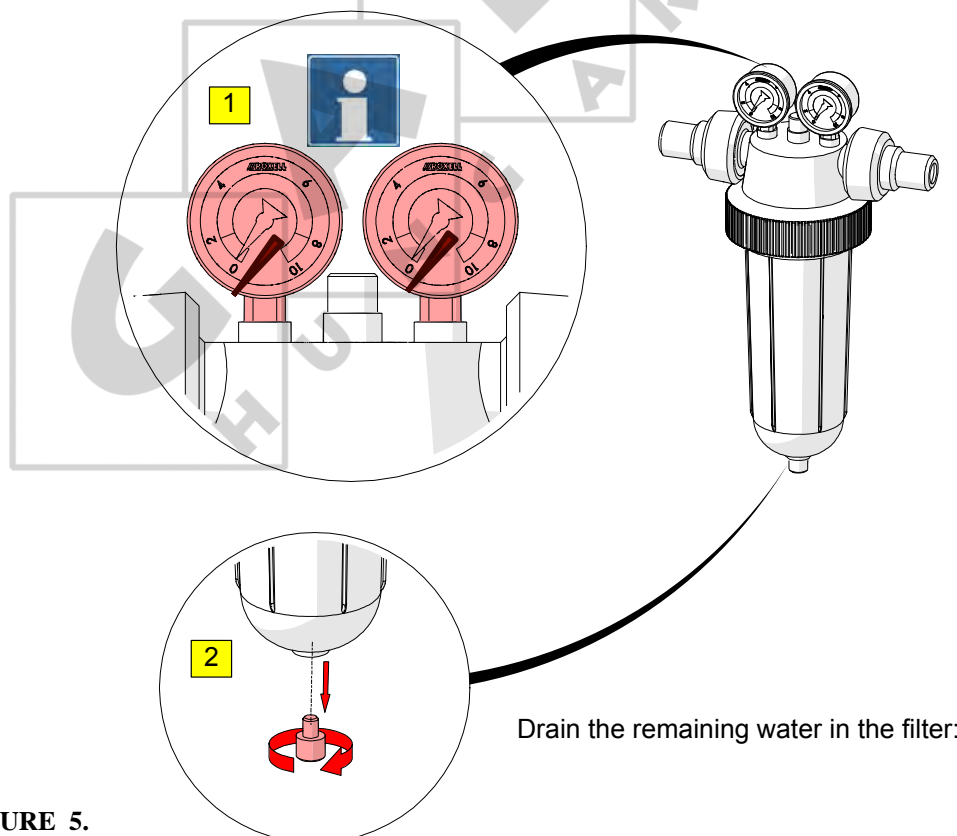


FIGURE 4.

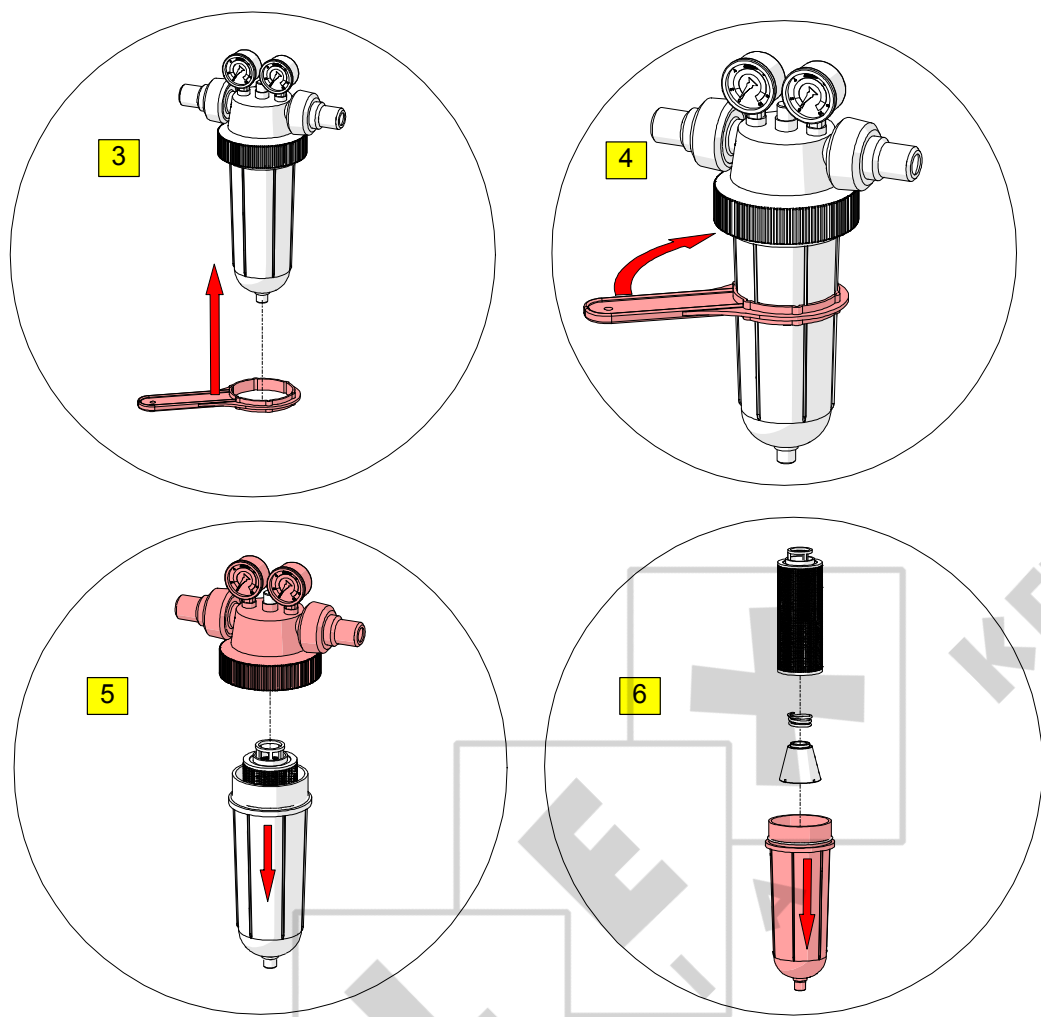
TO CLEAN THE FILTER:

Check if there is no pressure on the system, gauges on 0:



Drain the remaining water in the filter:

FIGURE 5.



REGULAR CLEANING:

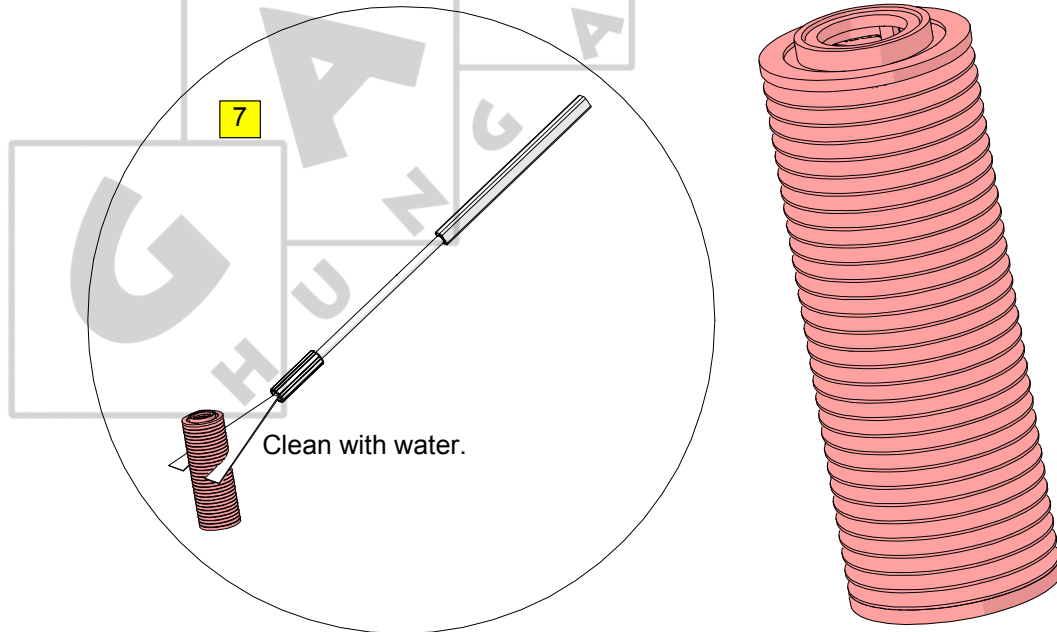
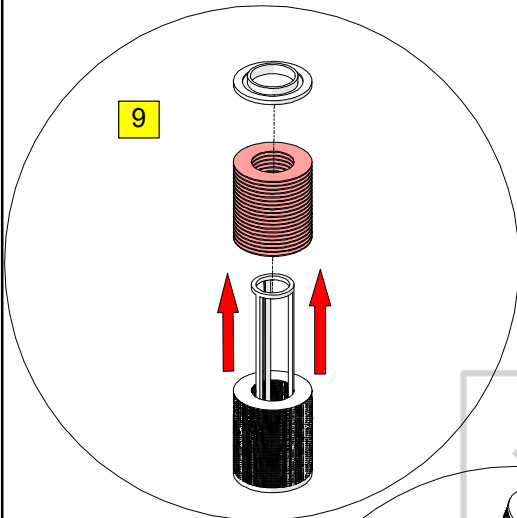
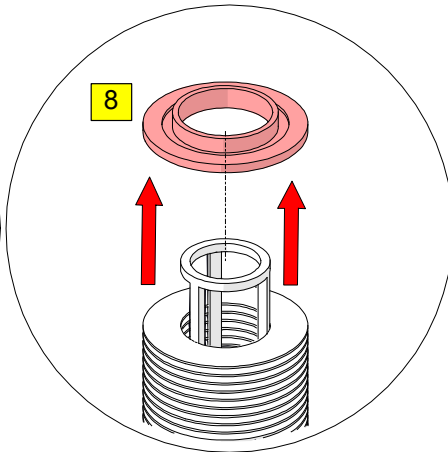
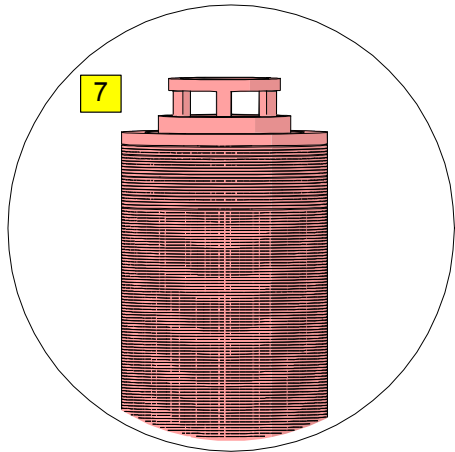


FIGURE 6.

OR: INTENSIVE CLEANING:



See topic 2.1. Cleaning and disinfection.

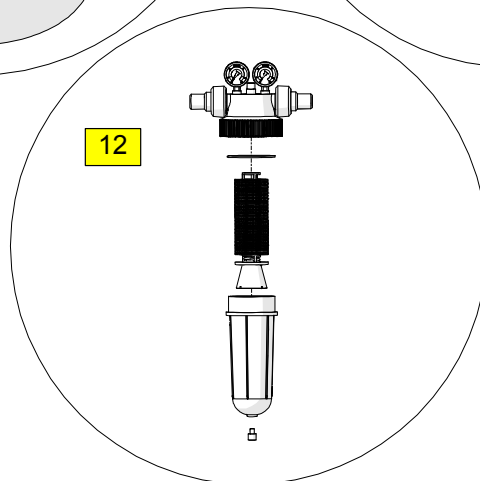
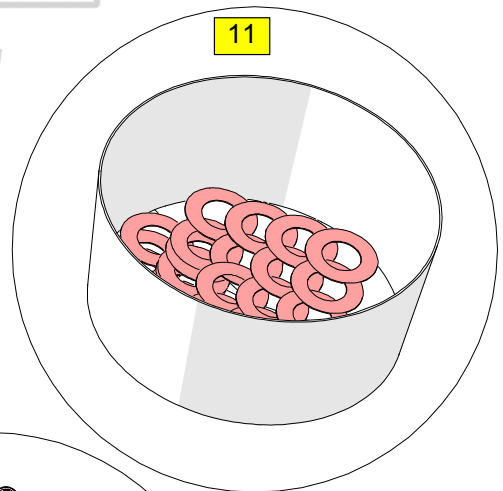
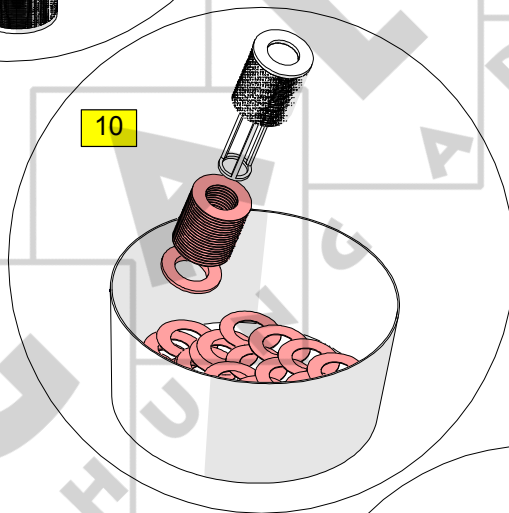


FIGURE 7.

3.2 OPERATION OF THE VALVES NORMAL OPERATION

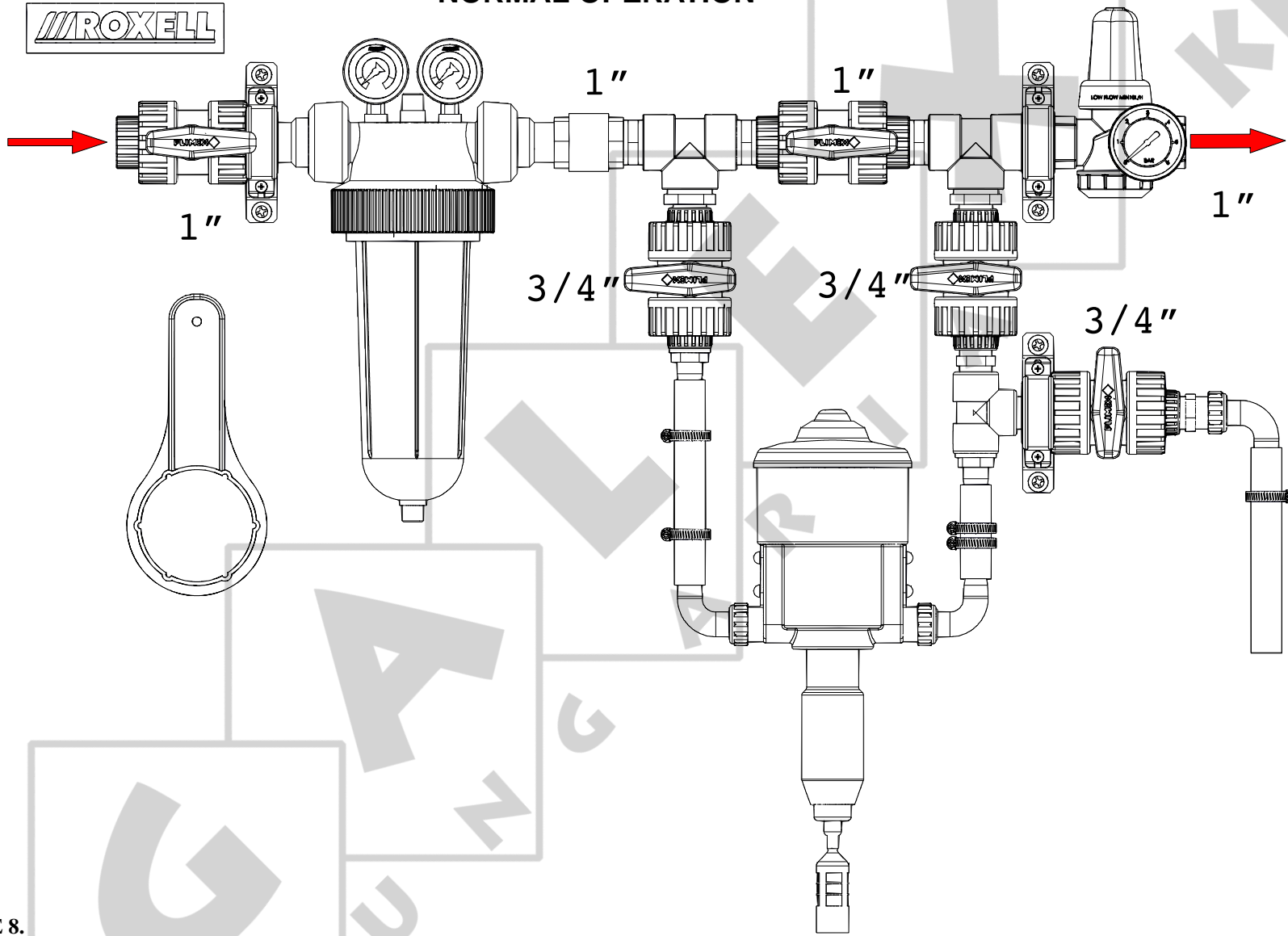


FIGURE 8.

TO CHECK AND TO CLEAN THE MEDICATOR

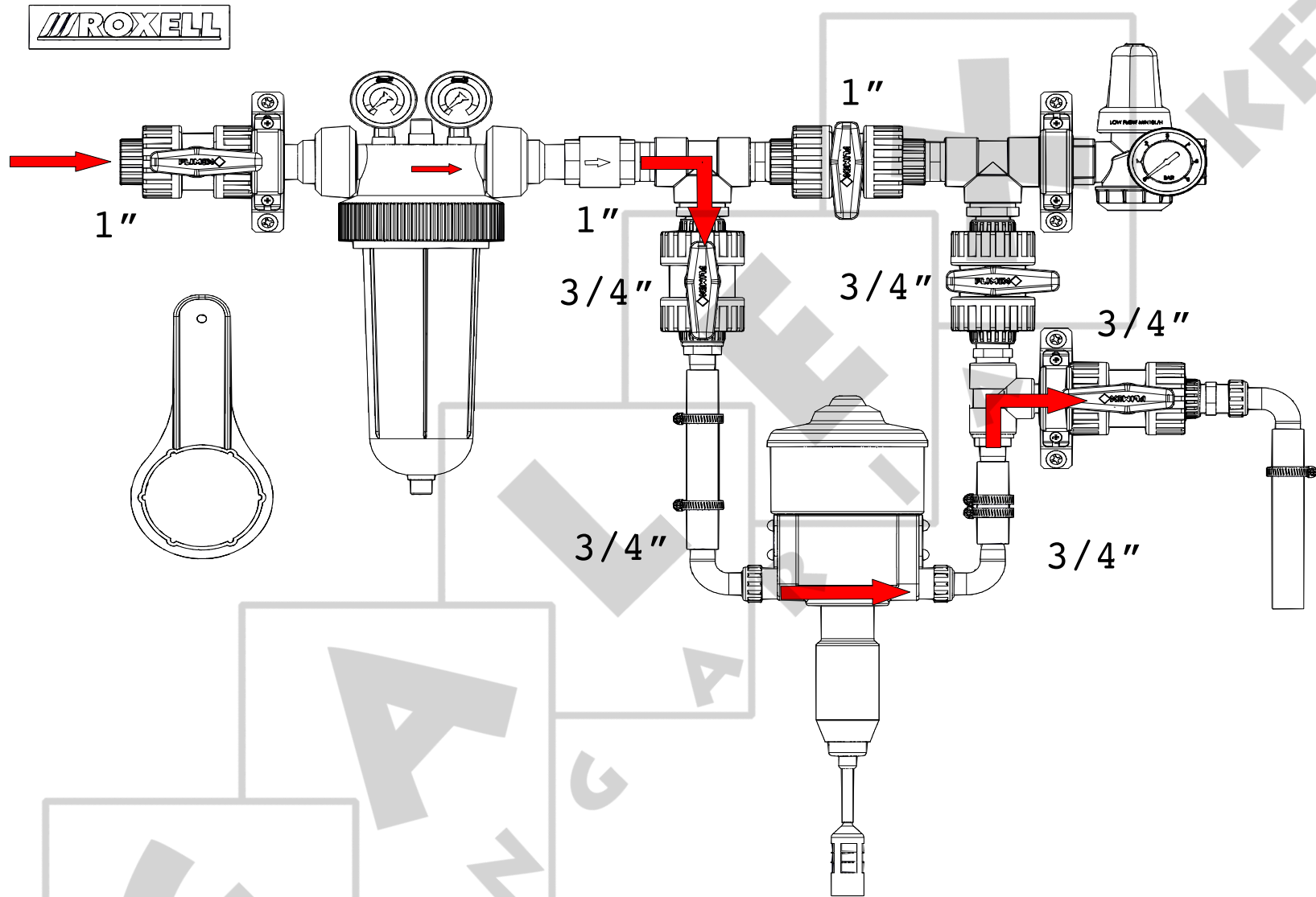


FIGURE 10.

DIVIDED HOUSES - NORMAL OPERATION

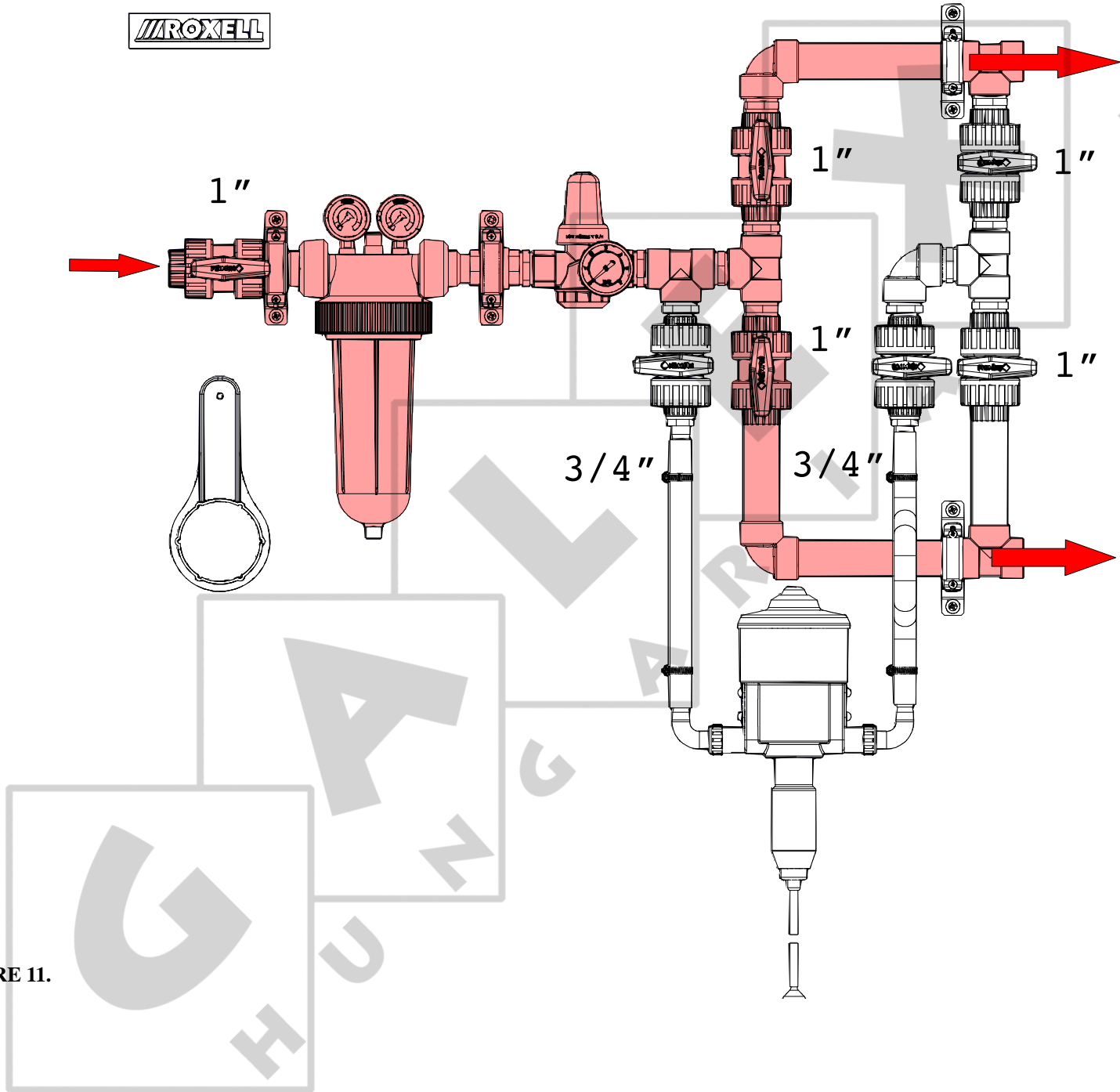


FIGURE 11.



DIVIDED HOUSES - OPTION: MEDICATION

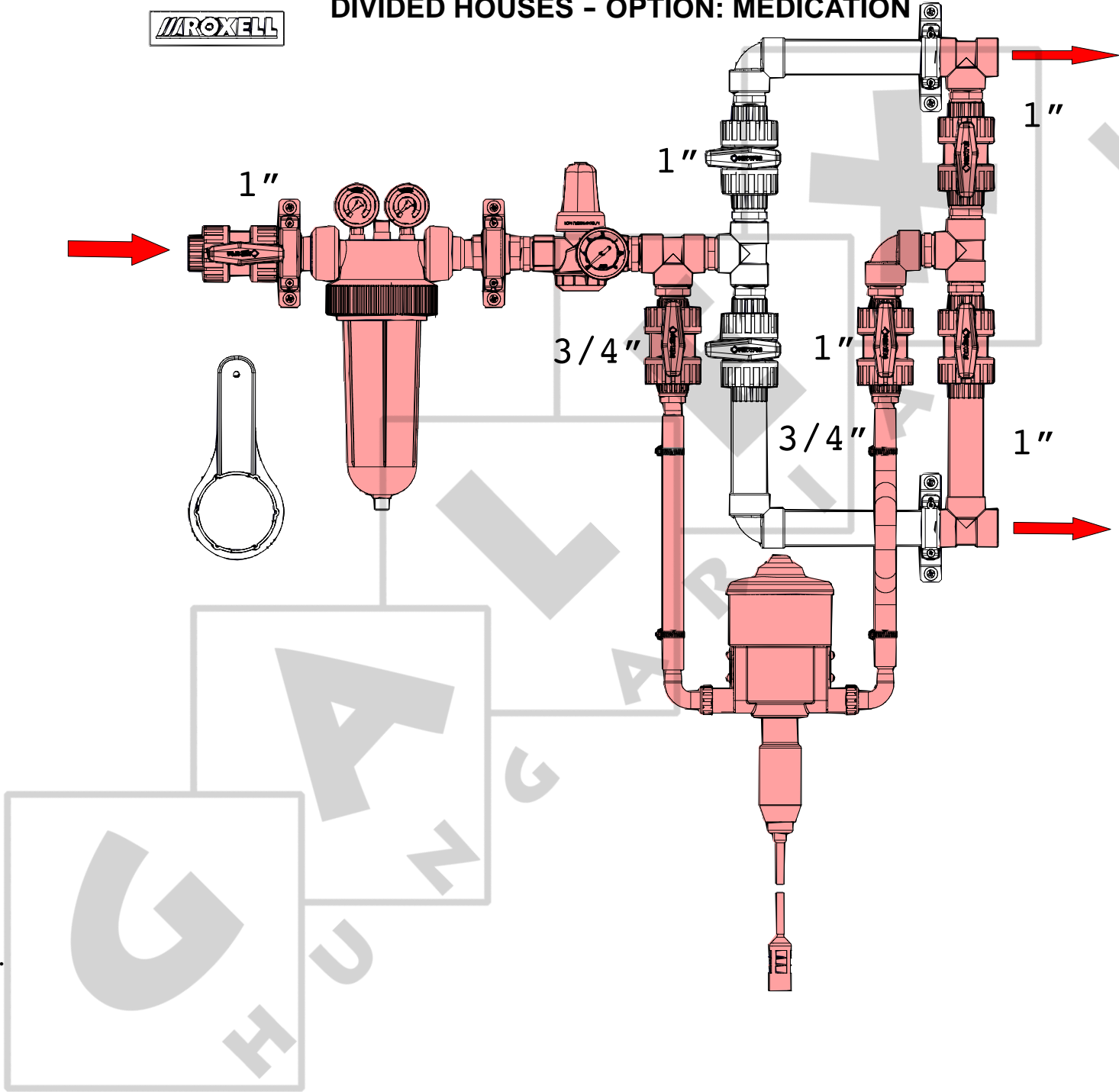


FIGURE 12.

4. TO ADJUST THE LINE HEIGHT

4.1. TO ADJUST HEIGHT OF COMPLETE LINE

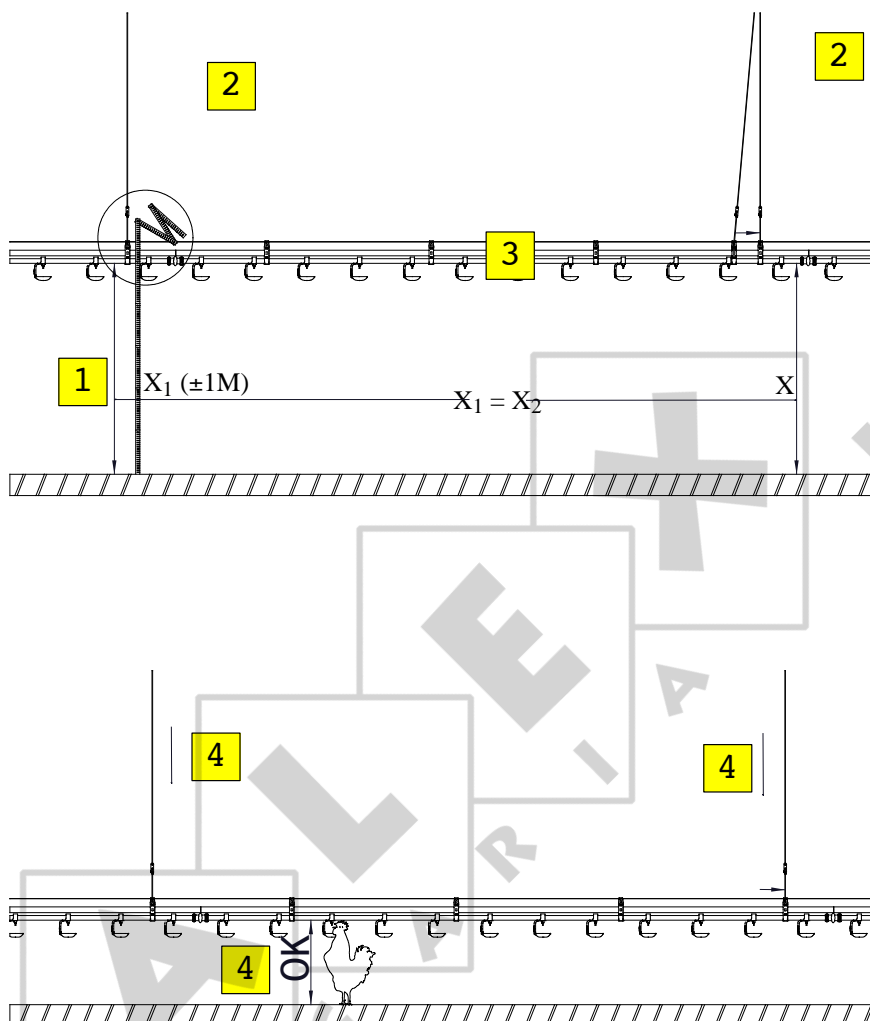


FIGURE 13.

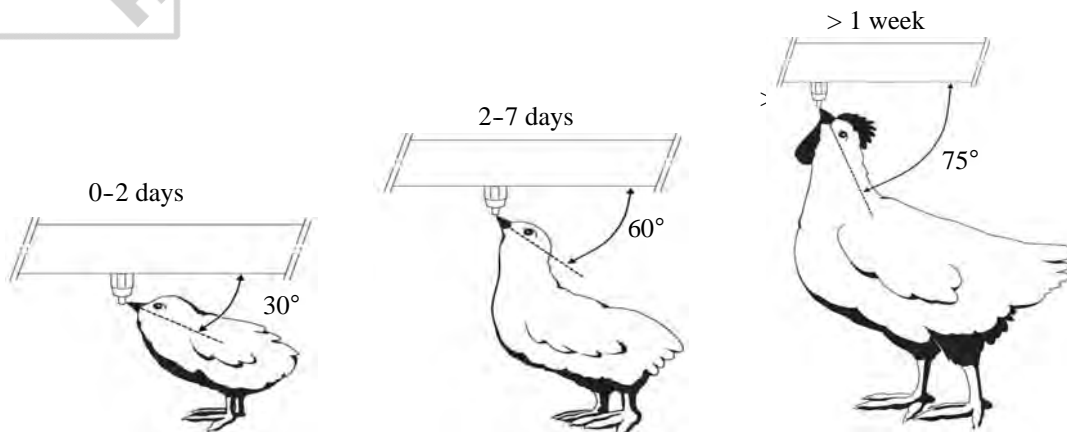


FIGURE 14.

4.2 TO ADJUST LINE WITH 3 HOLE STRING ADJUSTER

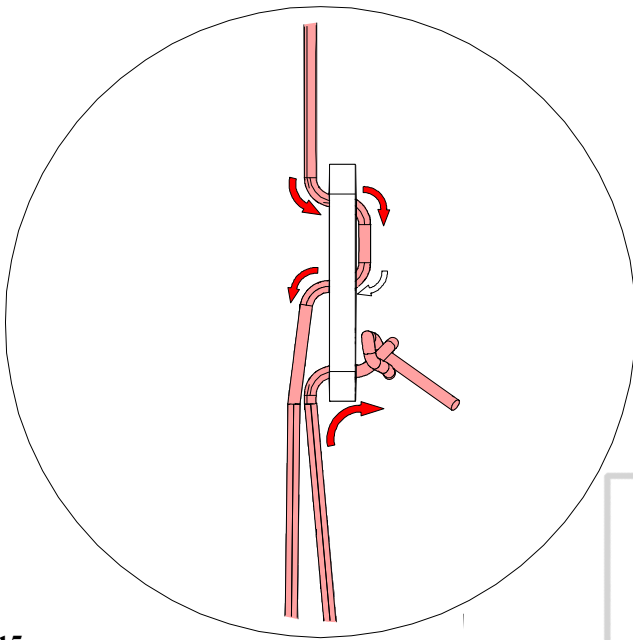


FIGURE 15.

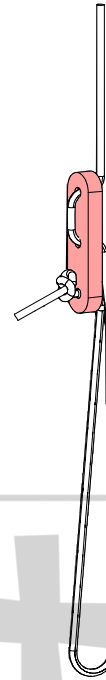


FIGURE 16.

4.3 TO ADJUST LINE WITH THE SUSPENSION SCREW

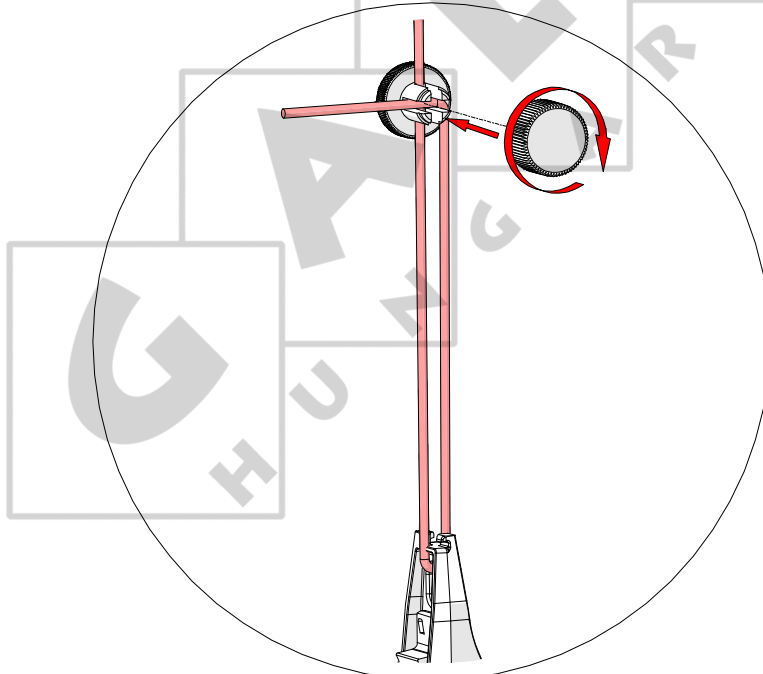
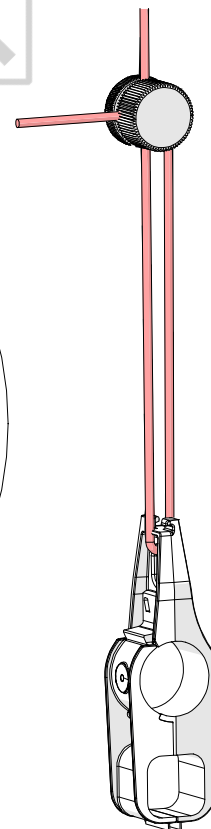


FIGURE 17.



4.4. TO ADJUST LINE WITH THE SUSPENSION PLATE

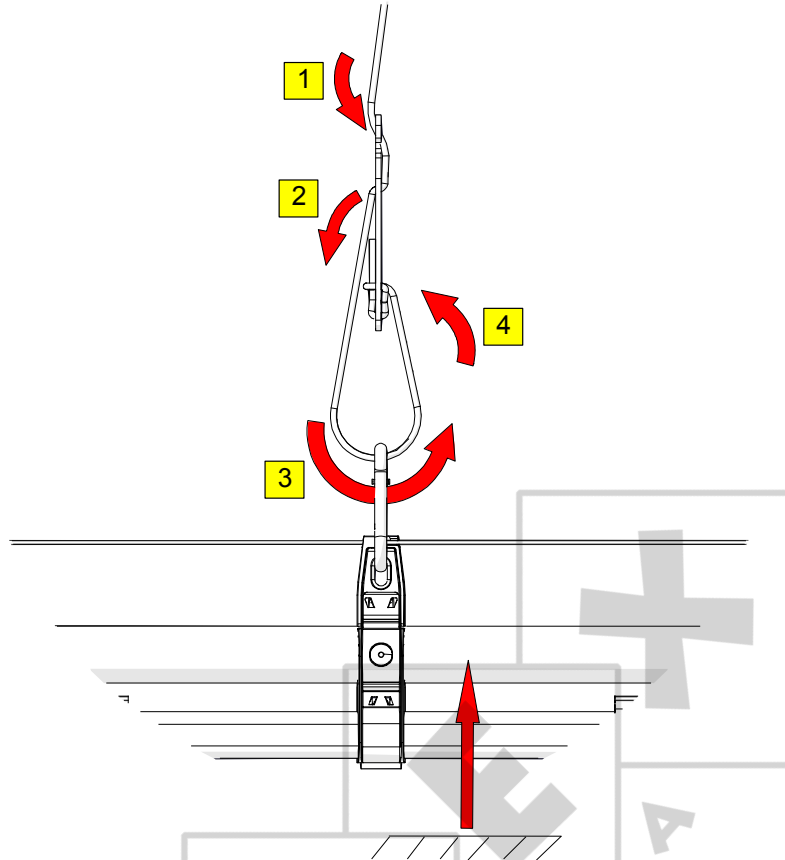


FIGURE 18.

5. OPERATION OF THE SYSTEM

5.1. MODE OF THE PRESSURE REGULATOR

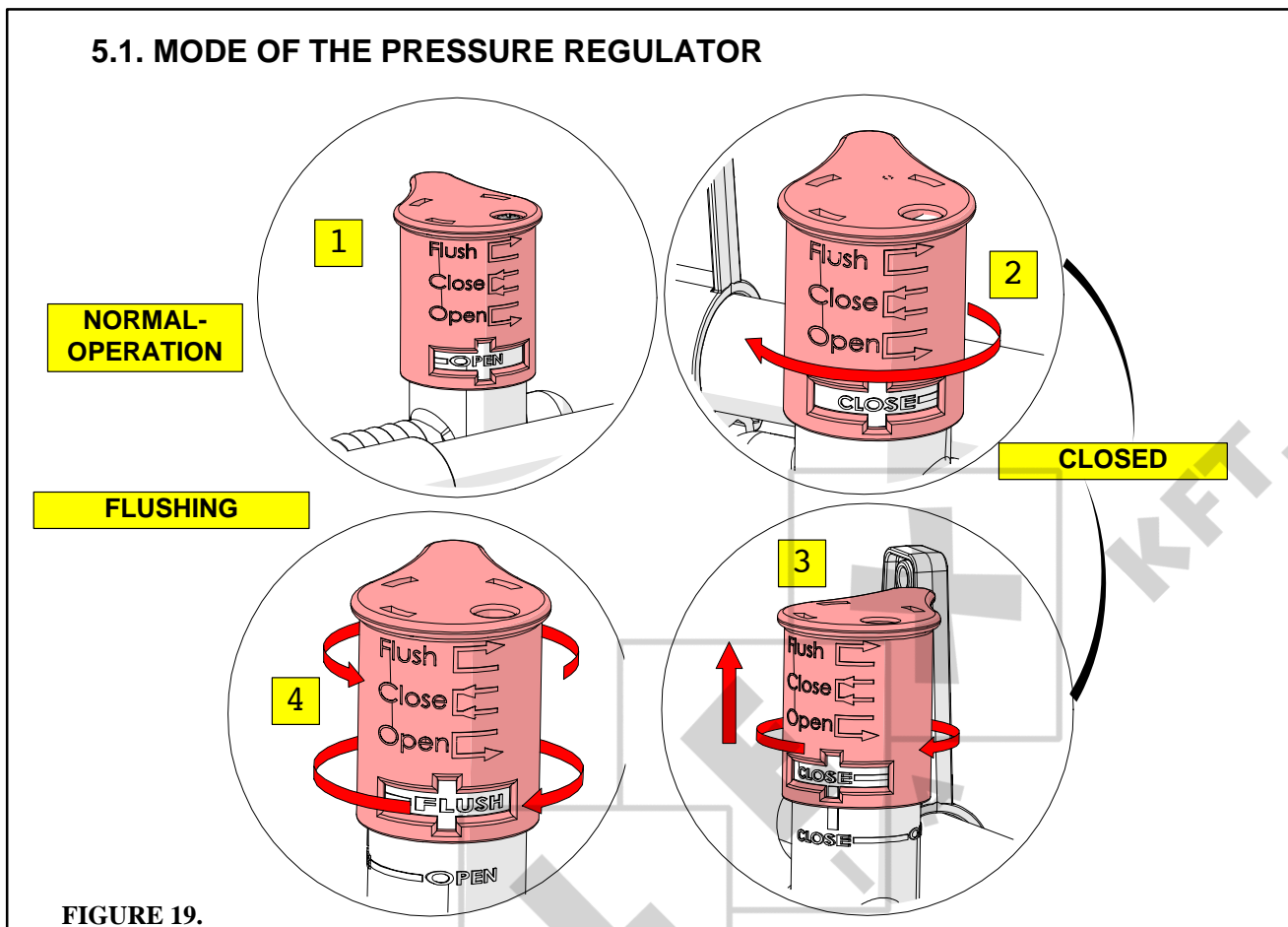


FIGURE 19.

5.2. TO REGULATE THE PRESSURE

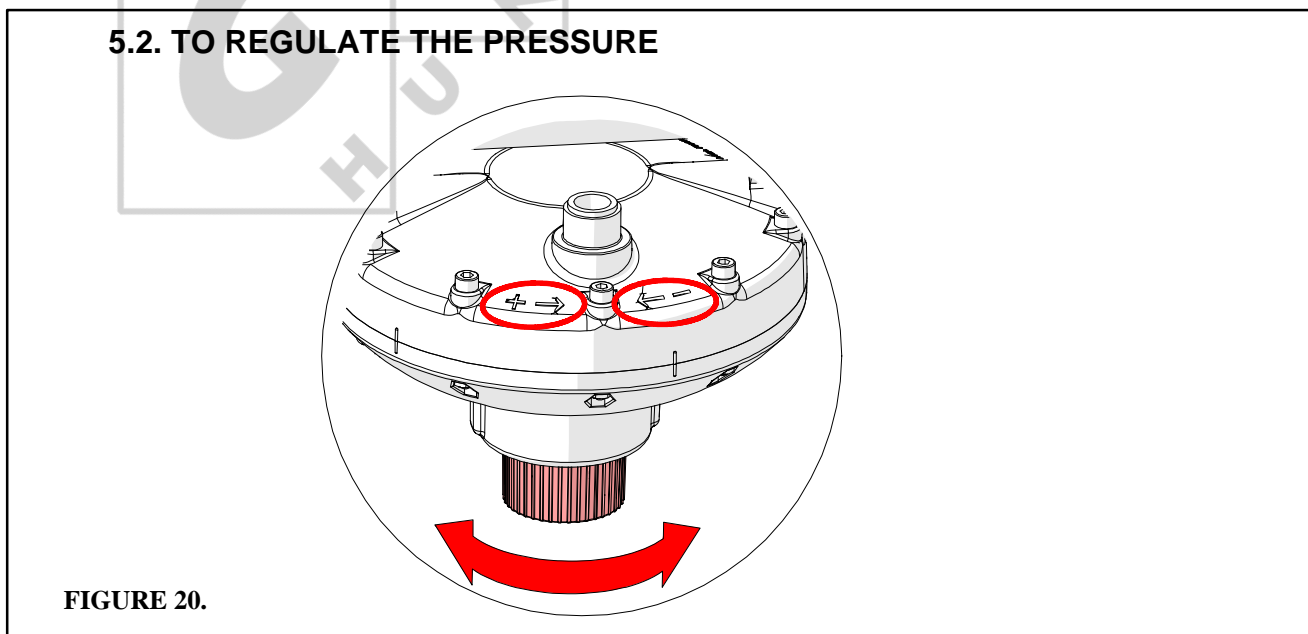


FIGURE 20.

0-7 days:

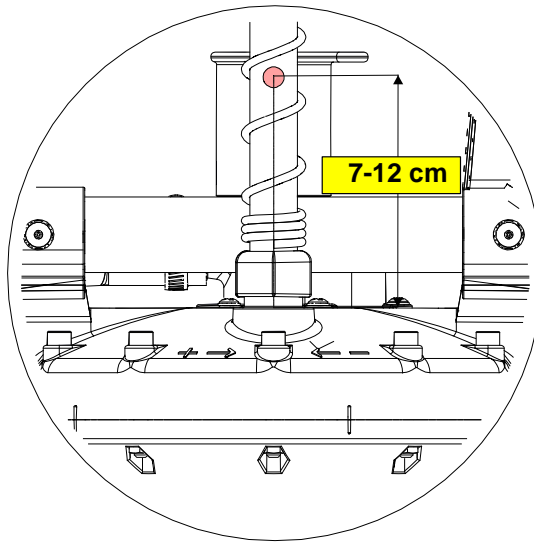


FIGURE 21.

7-21 days:

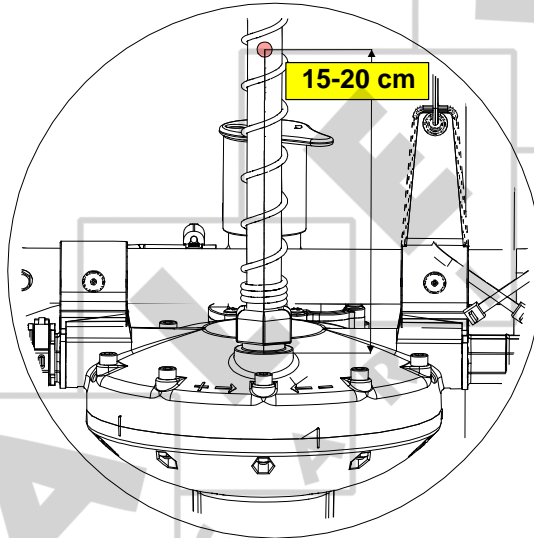


FIGURE 22.

21 days - end of the flock:

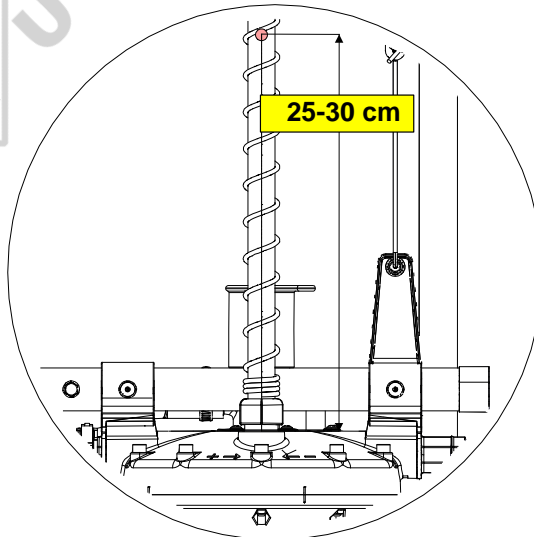


FIGURE 23.

5.3. TO USE THE END UNIT

OPERATION MODE

FLUSHING MODE

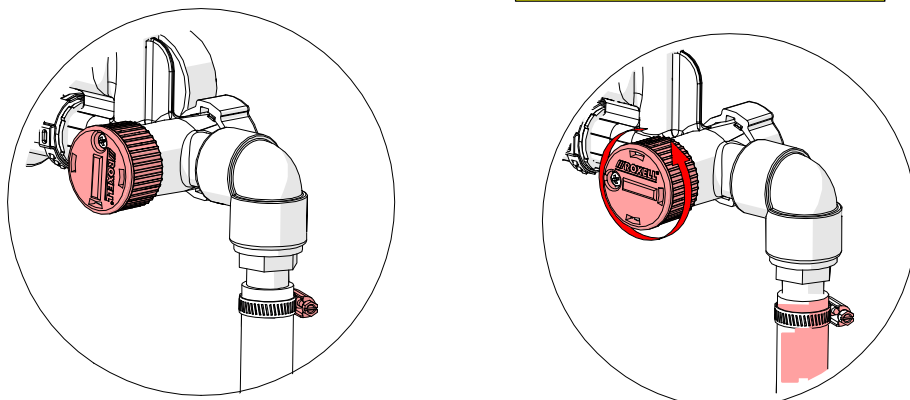


FIGURE 24.

5.4. TO USE THE INTERMEDIATE SHUT OFF VALVE

Situation: The whole house

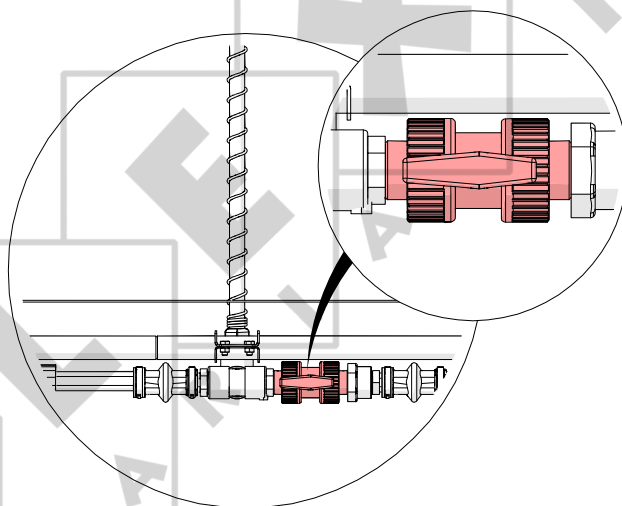


FIGURE 25.

Situation: Partial brooding

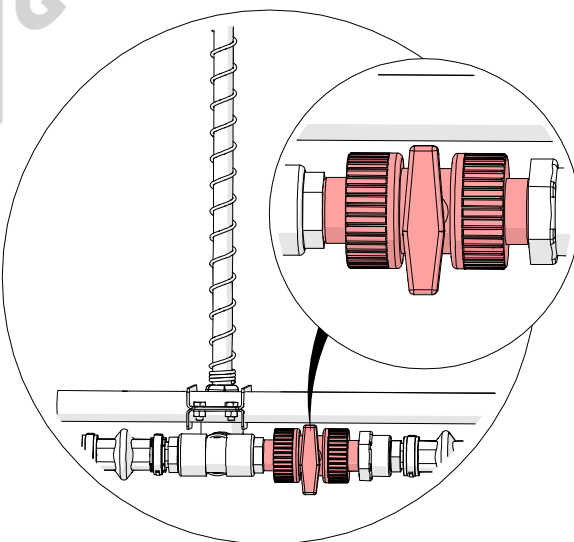


FIGURE 26.

5.5. FLOW OF NIPPLES

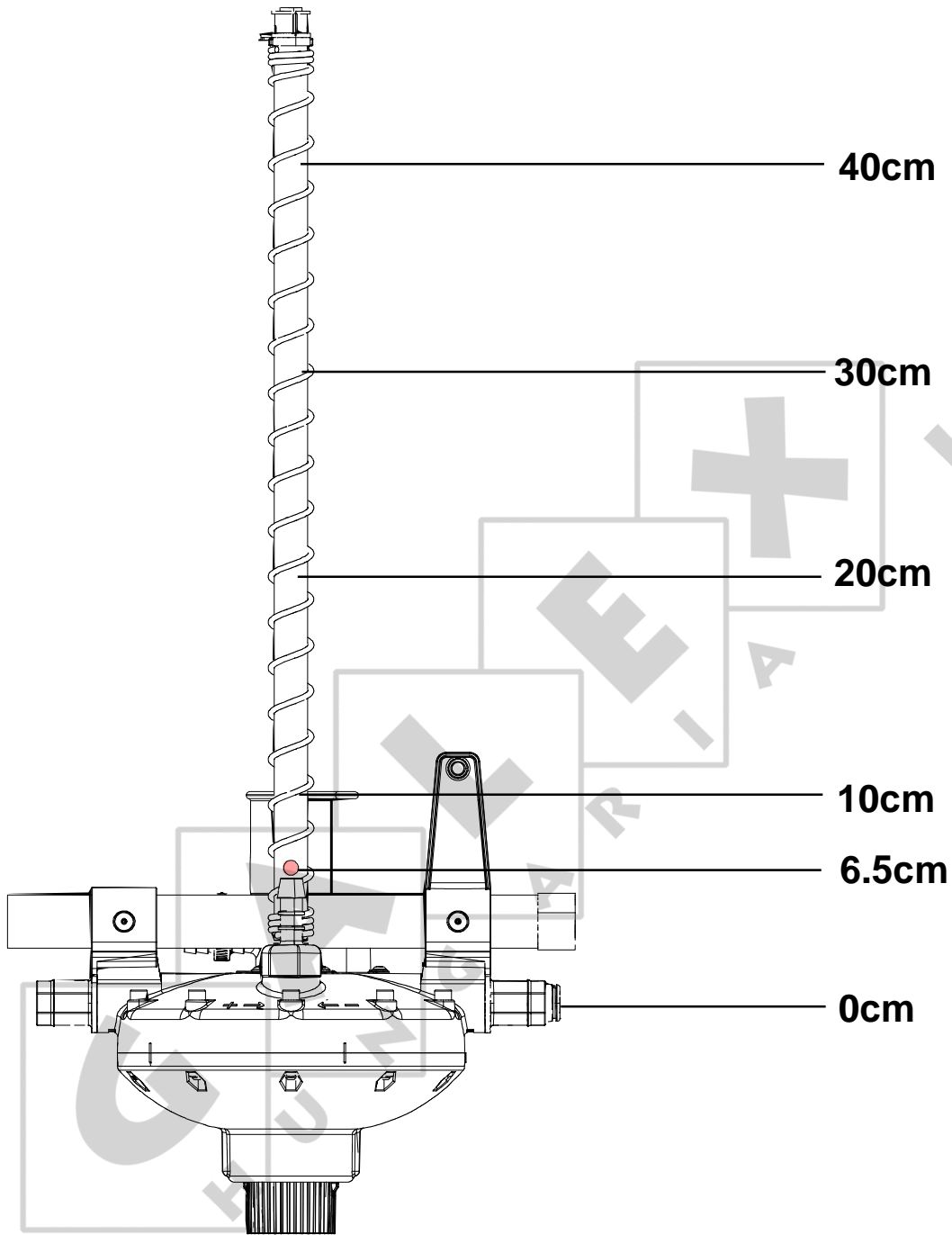
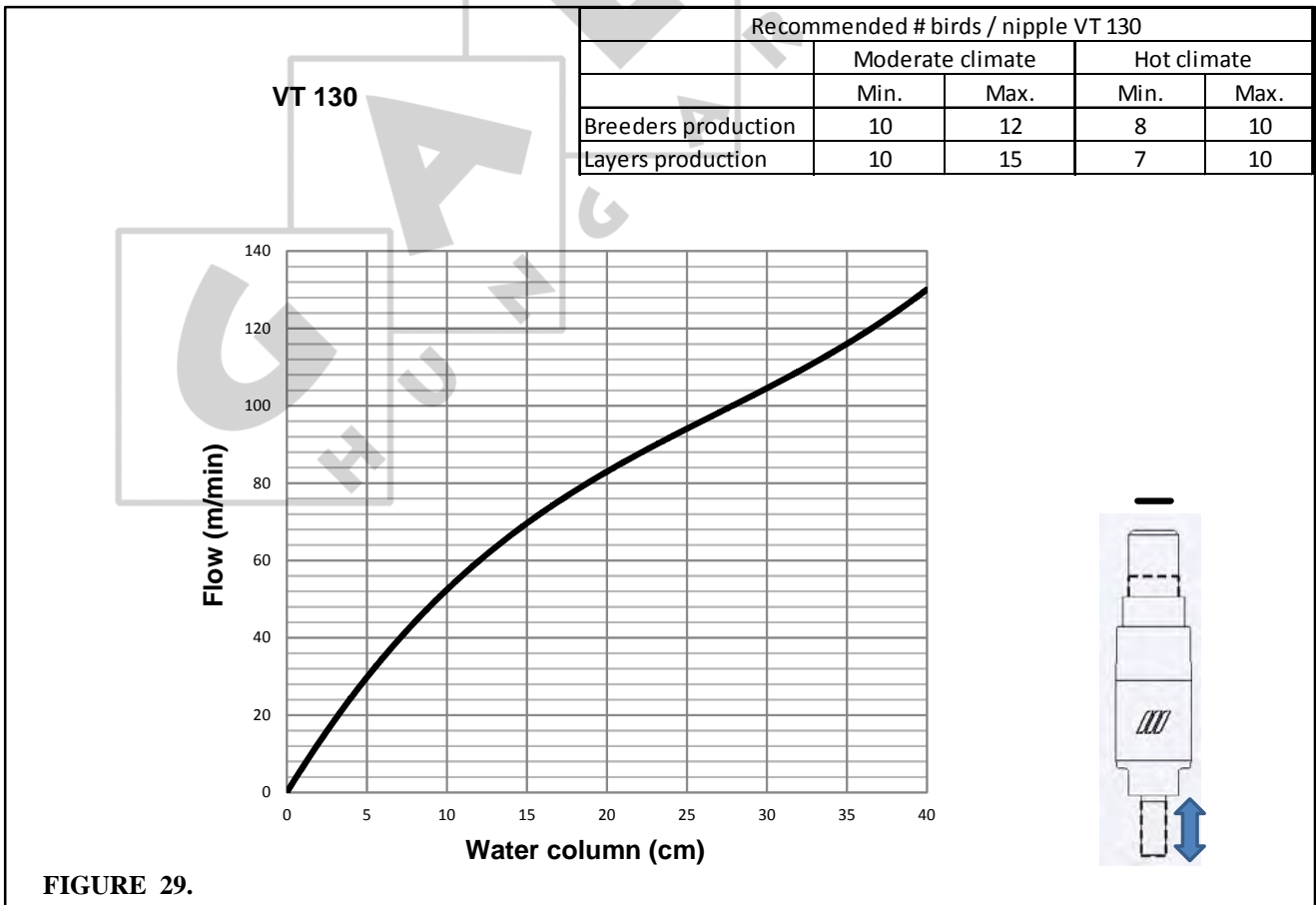
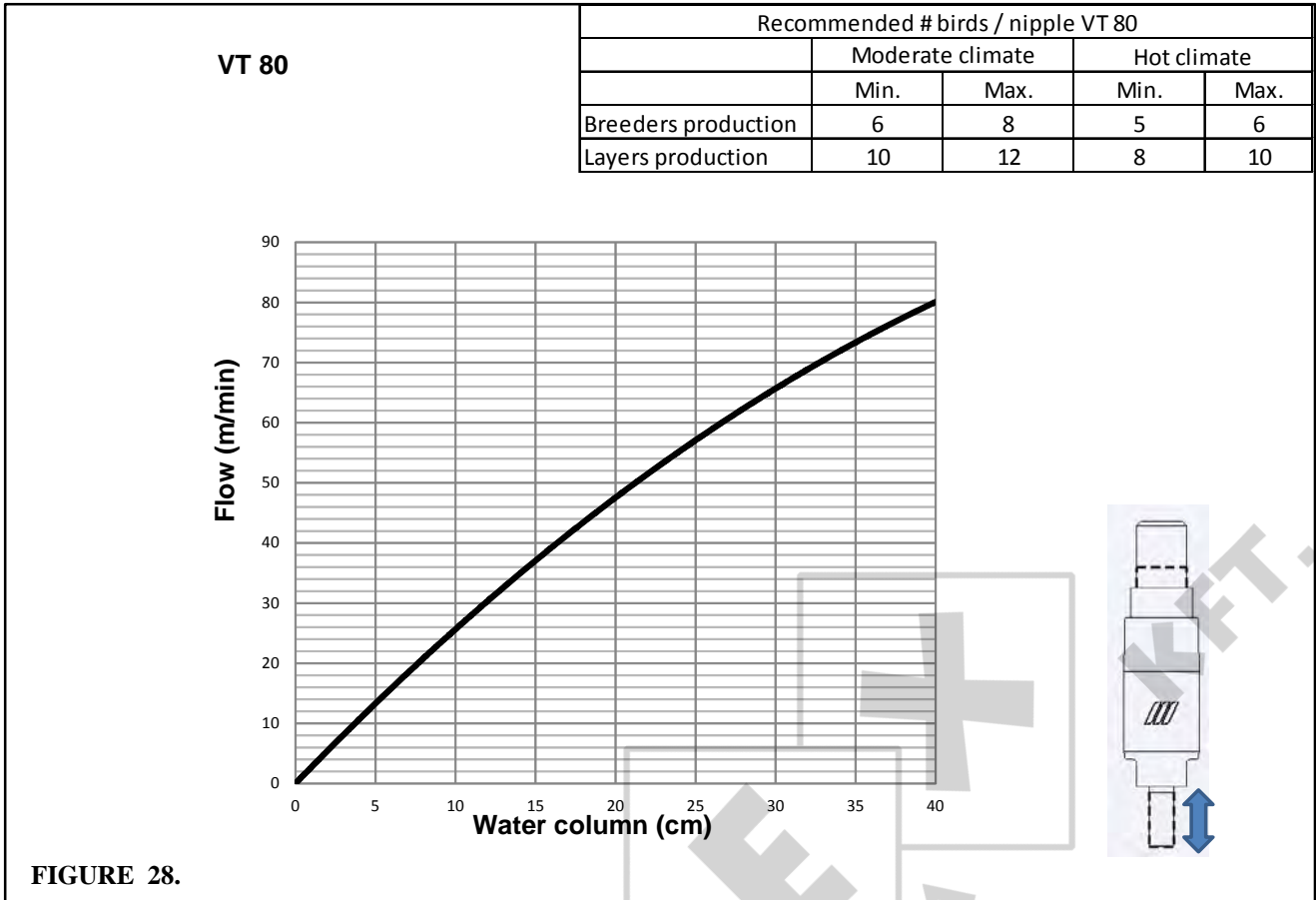
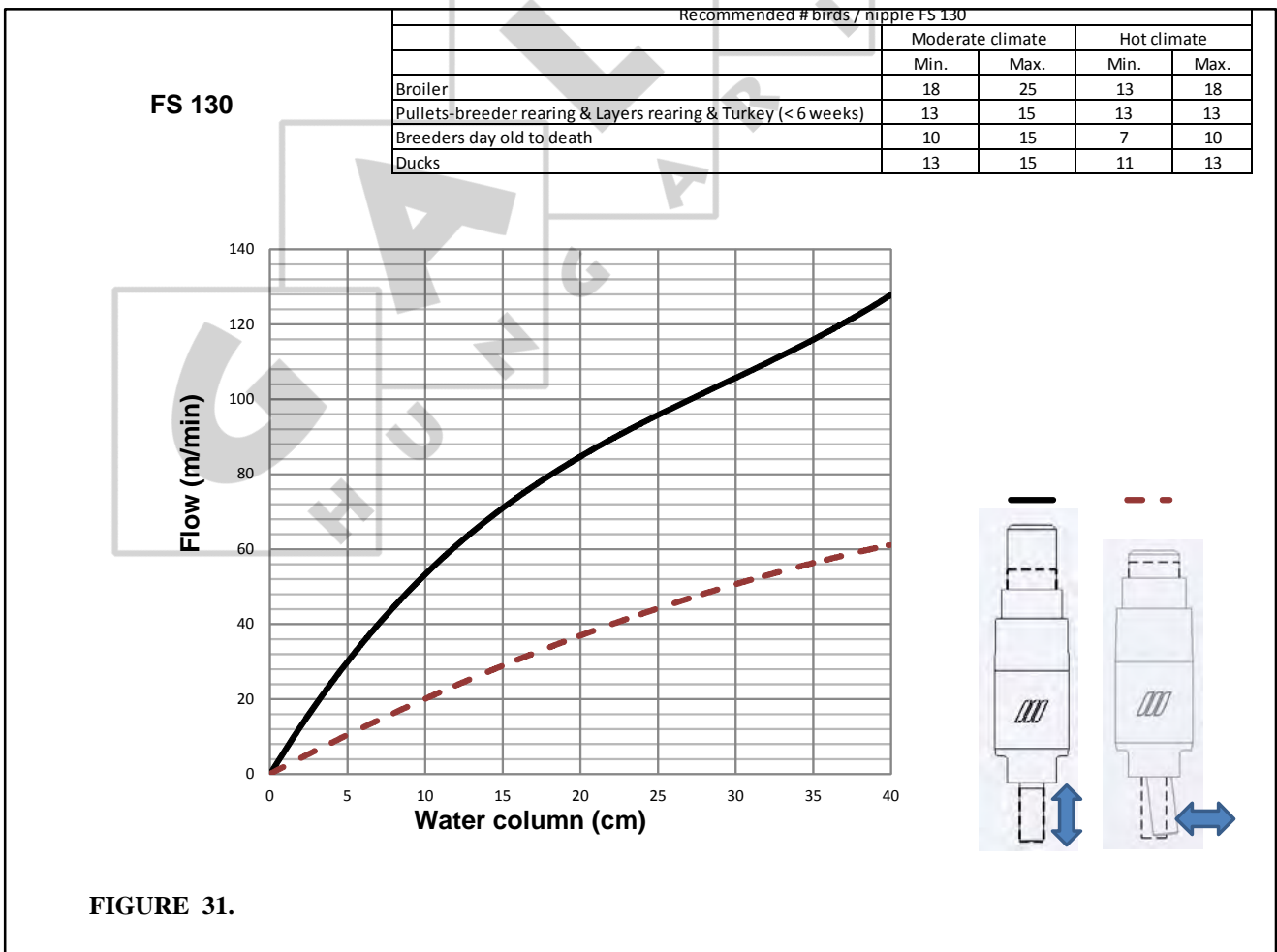
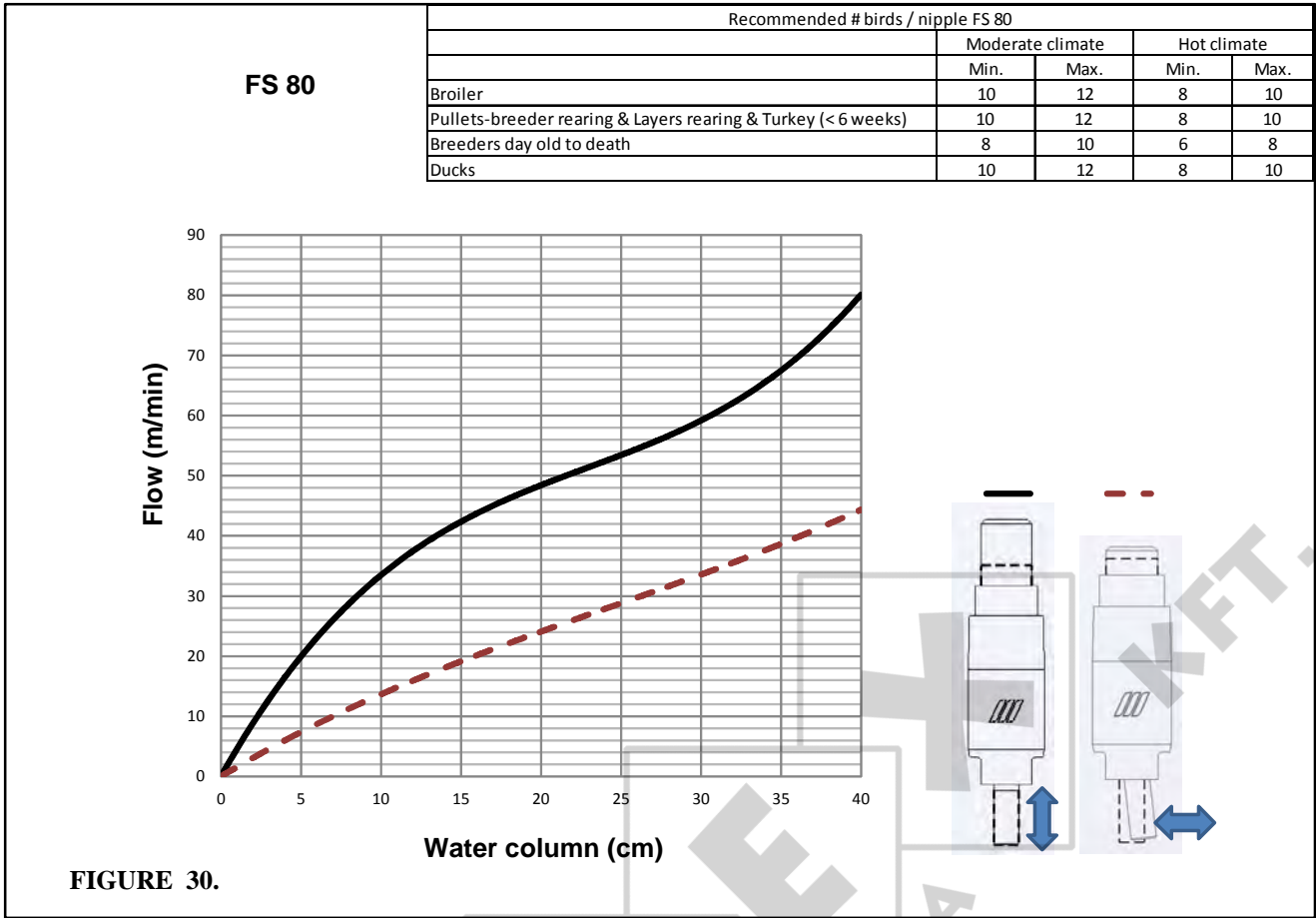


FIGURE 27.





6. TO CLEAN THE SYSTEM



In order to maintain the correct functioning of the drinking system, cleaning (flushing) should be performed on a regular basis.

6.1. MANUAL FLUSHING

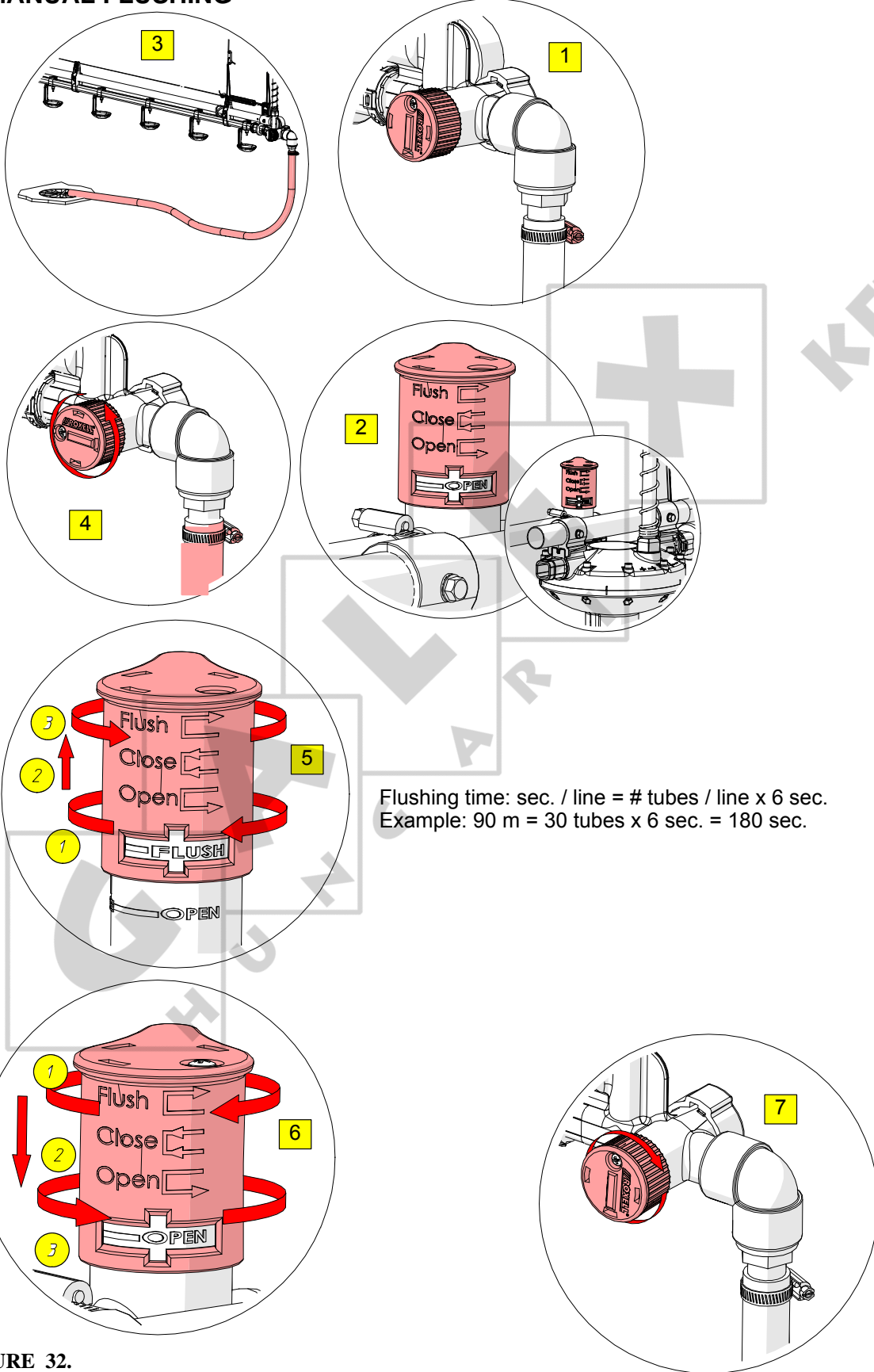
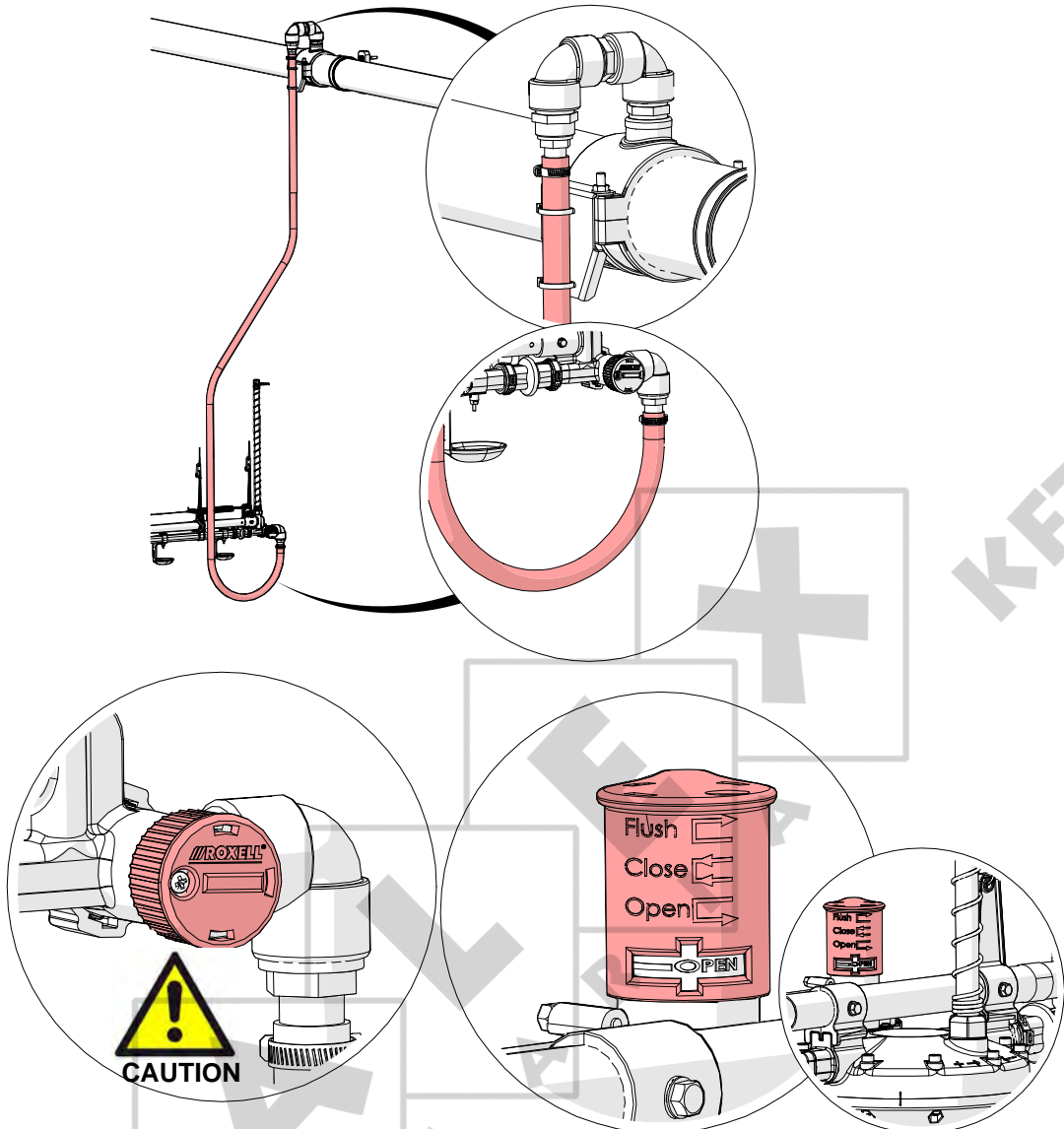


FIGURE 32.

6.2. FLUSHING USING THE OVERFLOW



Flushing time: sec. / line = # tubes / line x 6 sec.
 Example: 90 m = 30 tubes x 6 sec. = 180 sec.

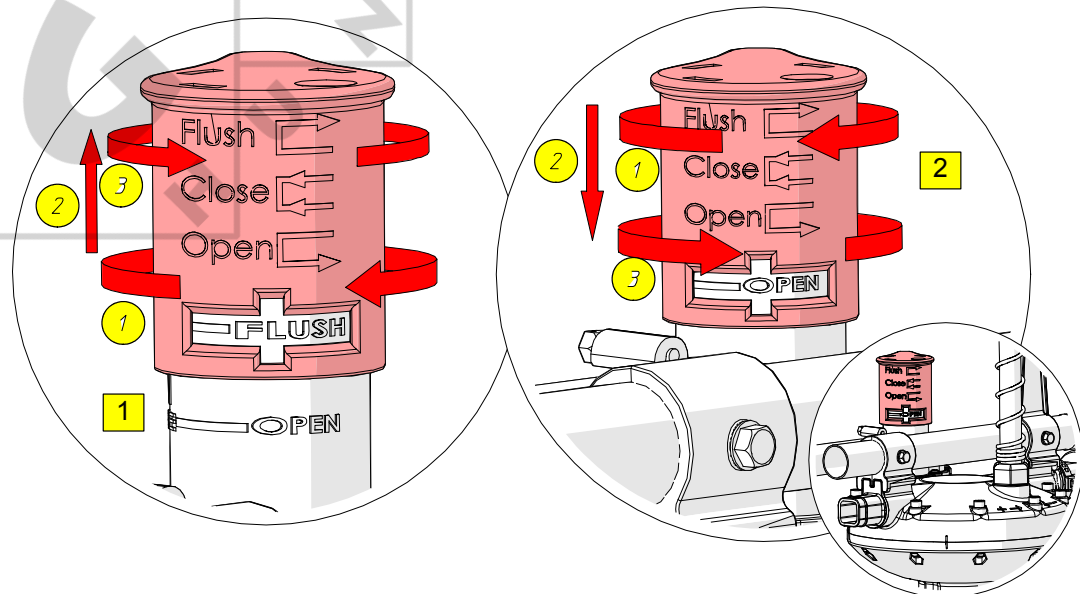


FIGURE 33.

6.3. AUTOMATIC FLUSHING (OPERATION EXPLAINED IN CONTROLLER MANUAL)

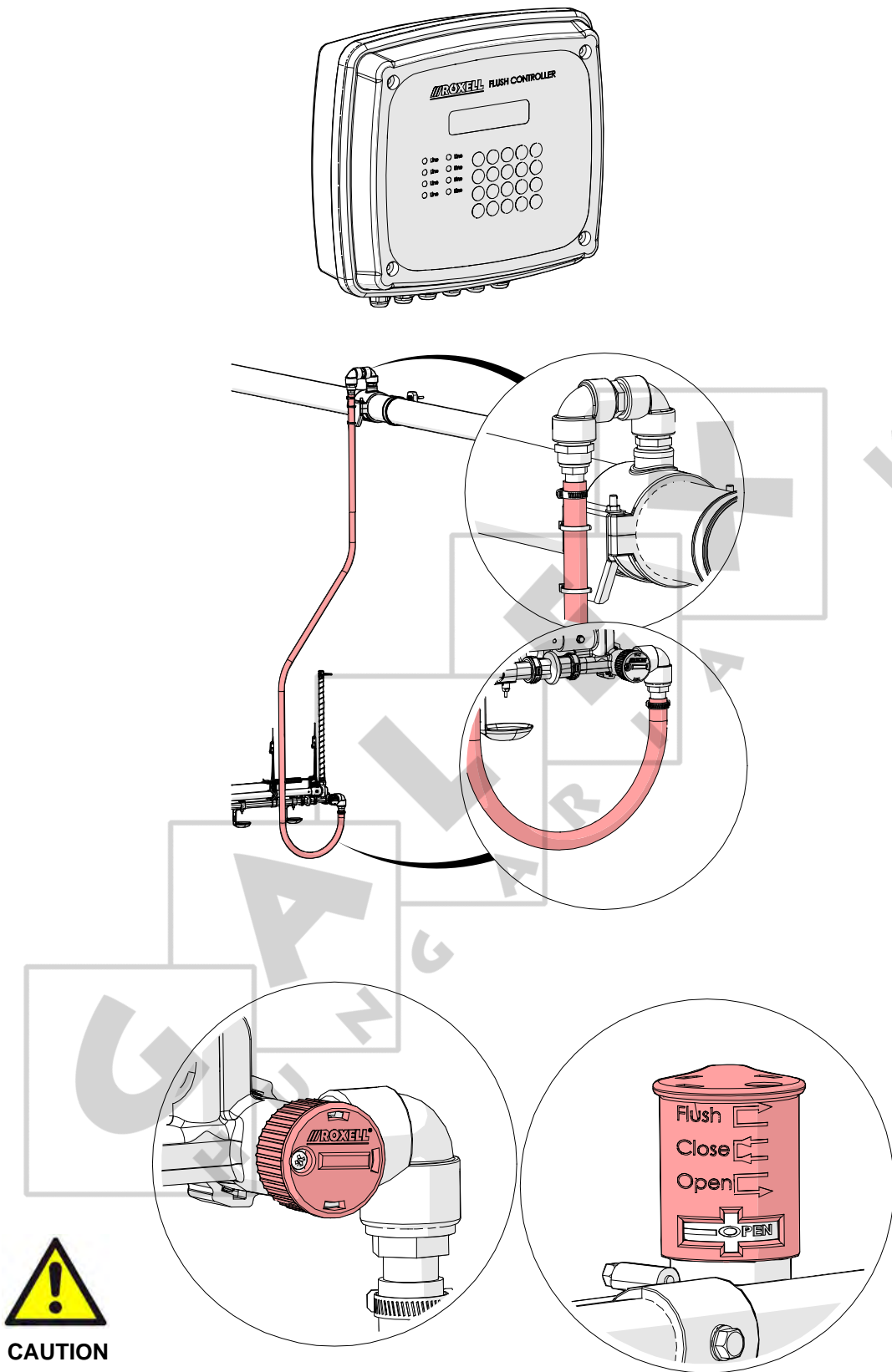


FIGURE 34.

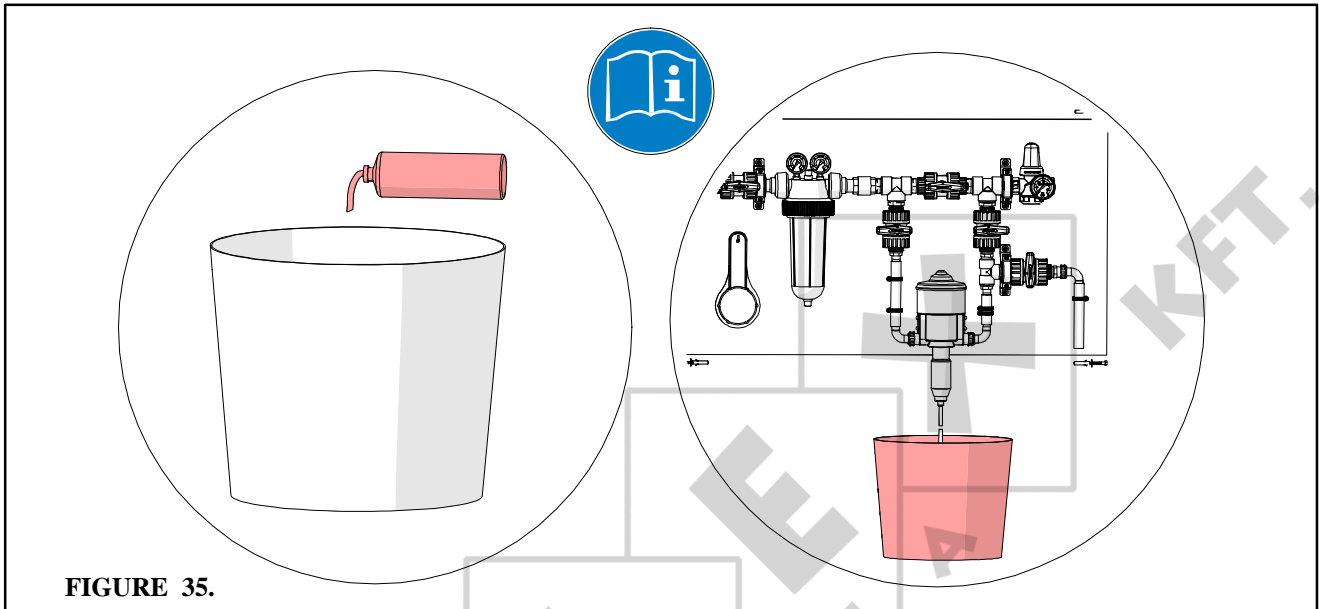
7. TO ADMINISTER VACCINE OR MEDICATION

HOW TO DO

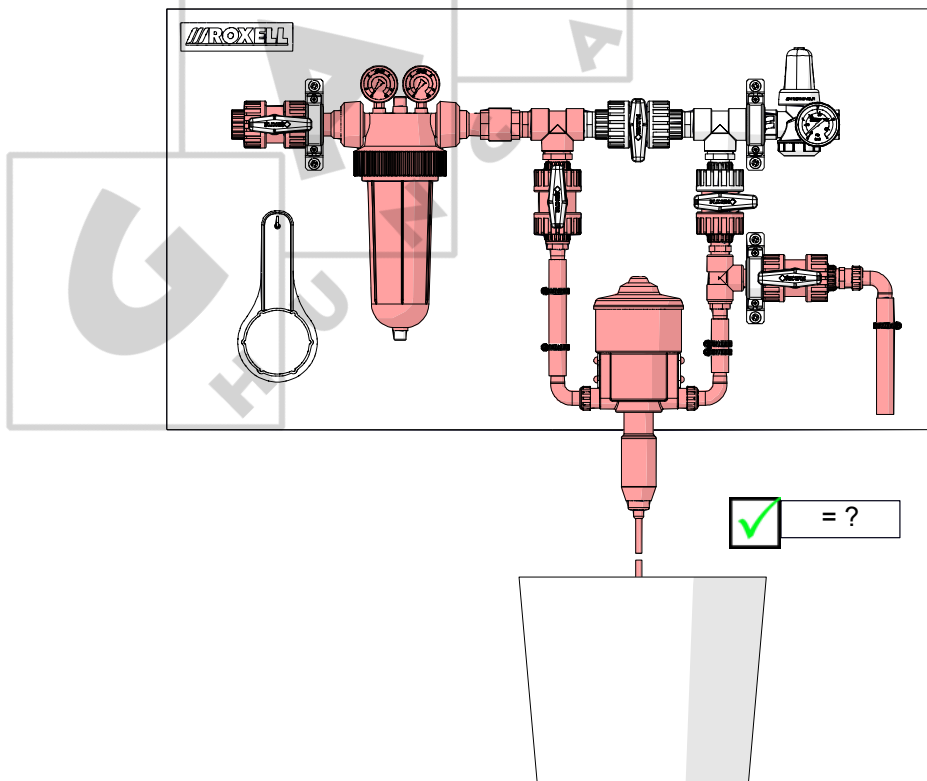


Note: Follow the instructions of the additive supplier !

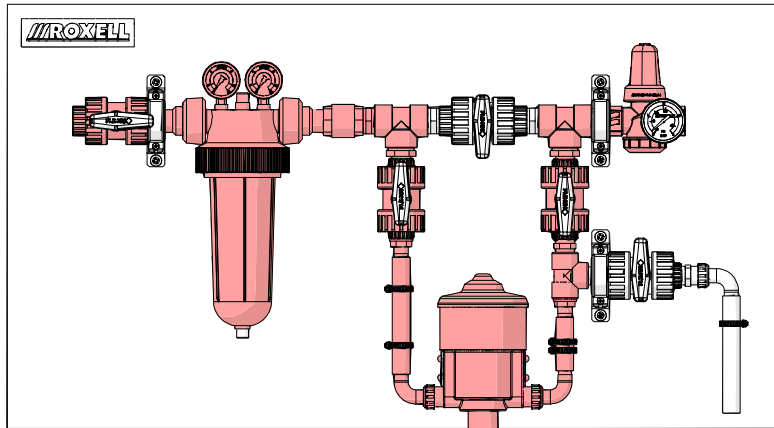
CAUTION



Check function of medicator.



To administer the additives.



Check that the additive has reached the end of the line.

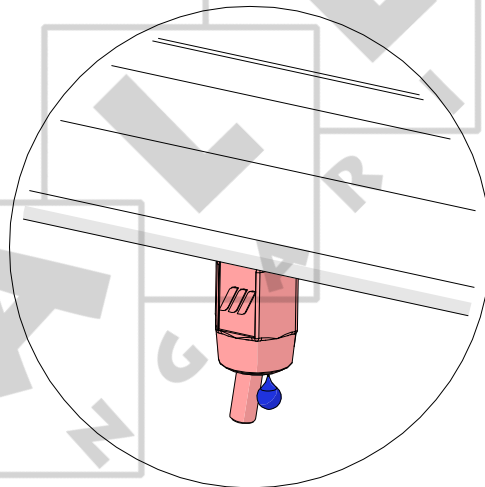
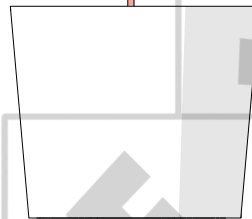


FIGURE 37.



CAUTION

ALWAYS clean the system before and after administering!

8. PERCH PROTECTION AND THE SYSTEM

8.1. ELECTRICAL PERCH PROTECTION

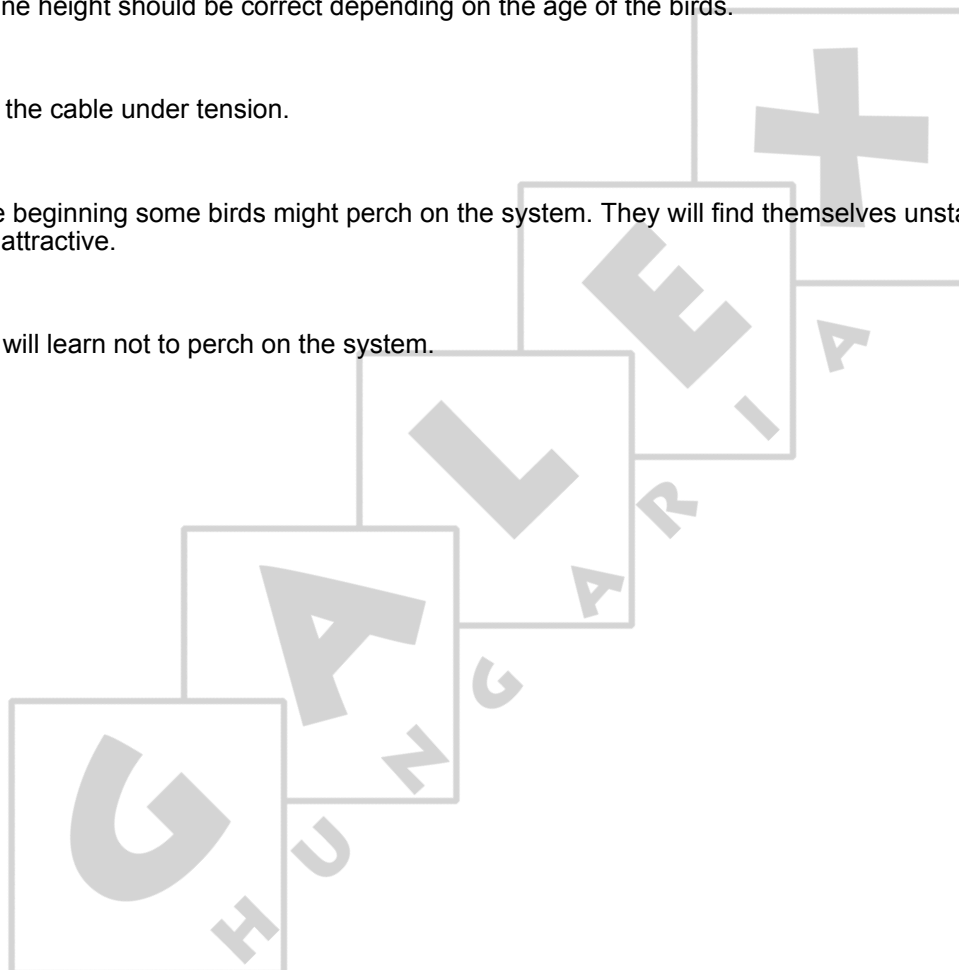


DANGER

When entering the house, FIRST switch off the electrical power!
The line height should be correct depending on the age of the birds.

8.2. SPINSOFT

- The line height should be correct depending on the age of the birds.
- Keep the cable under tension.
- At the beginning some birds might perch on the system. They will find themselves unstable, so they will find it not attractive.
- They will learn not to perch on the system.



MAINTENANCE INSTRUCTIONS



**Switch off the main switch first.
Use personal protective equipment.**

ACTIONS IN GREY BACKGROUND MUST BE DONE BY A TECHNICALLY TRAINED PERSON.

	At first system startup	During the flock	Between 2 flocks	Every 6 months
Filter	Check differential pressure and clean filter cartridge if necessary.	Check differential pressure daily and clean filter cartridge if necessary.	Clean filter cartridge quickly as described in the instructions.	Clean filter cartridge carefully as described in the instructions.
Flushing the system (recommended: 1 min/10m drinking line)	Always	After adding products to the water (vaccine, medication, etc.) 2 x per week	Always	
		When the temperature of the water in the drinking line is too high.		
Poultry perch system: - Electric - SpinSoft	Check mechanical tension on the cable. Spinsoft: check movability of the spinners.	Daily: check that no animals are perching on the drinking line.	Check mechanical tension on the cable. Spinsoft, check movability of the spinners.	
Water supply	Check for sufficient supply flow and pressure.	Daily: check for sufficient supply flow and pressure.	Check for sufficient supply flow and pressure.	
Cleaning			Clean all components to ensure system hygiene. Empty drip cups after cleaning so that no residue remains in the cups.	
Diaphragm valves of automatic flush system	Check proper closure of valves.	Check that no water escapes via the drain for flushing when the valves are not operated.		
Drain system			When there is a risk of the lines freezing up.	
Suspension system	Check the main cable and the other suspension system components for possible damage. Check the operation of the hand winch.		Check the main cable and the other suspension system components for possible damage. Check the operation of the hand winch.	Check the main cable and the other suspension system components for possible damage. Check the operation of the hand winch.

TROUBLE SHOOTING GUIDE



DANGER

**Switch off the main switch first.
Use personal protective equipment.**

ACTIONS IN GREY BACKGROUND MUST BE DONE BY A TECHNICALLY TRAINED PERSON.



CAUTION

IMPORTANT

**IF YOU MUST REPLACE LEAKING NIPPELS, REMOVE THEM CAREFULLY.
SCREW THE NIPPLES VERTICALLY INTO THE PIPE, SO THAT YOU DO NOT DEFORM
THE SCREW THREAD. DO NOT SCREW THE NIPPLE TOO DEEP.**

PROBLEM	CAUSE	CORRECTIVE ACTION
1. Leaking nipples.	a. Dirt in the system when starting up.	- Rinse the lines before using them.
	b. Bad water quality.	- Have the water tested by a renowned specialist and take action if needed.
	c. Vaccines/medicines.	- Rinse the lines before and after administering additives.
	d. Water is polluted.	- Regularly clean the filter cartridge. Use clear water.
	e. Wear of nipples.	- Regularly adjust the height of the lines.
	f. Use of certain detergents/disinfectants/medecines.	- Consult the list of allowed products and check specifications of suppliers before using any of them.
	g. Nipple is not suitable for the type of bird.	- Consult the recommendations types of bird/nipple.
2. Water wastage.	a. Water supply at the wrong spot.	- See instructions for the maximum length per water supply point.
	b. Scope is too high.	- Install the water supply at the correct position. Refer to instructions on the slope regulator.
	c. Incorrect height of the line.	- Adjust the height.
	d. Wrong combination of nipple/type of bird.	- Consult the recommendations types of bird/nipple.
	e. Drip cup is not suitable for the type of bird.	- Consult the recommendations types of bird/nipple.
	f. Water pressure set too high.	- Adjust water pressure as recommended, as a function of the age of the animal.
3. Water consumption too low.	a. Incorrect level of the line : - Uneven floor. - height of the line.	- Level the litter on the floor. - Adjust the height. - Regularly adjust the height of the line.
	b. Water is too hot.	- Rinse every hour with fresh, cool water. You can use the RFC (Roxell Flushing Controller) to do this automatically.
	c. Nipple is not suitable for the type of bird.	- Consult the recommendations types of bird/nipple.
	d. Water pressure is too low.	- Adjust the water pressure.
	e. Nipples are silted up (vaccination/medicines).	- Refer to the supplier's instructions for the specific means to be used to release the nipples. Follow the specifications and instructions for use of these means.
	f. A large number of nipples are blocked by a too high content of calcium/iron.	
	g. Pollution of individual nipples.	- Move the nipple bars a few times to and fro until the dirt comes off or replace the complete nipple.

PROBLEM	CAUSE	CORRECTIVE ACTION
	h. Debeaked birds.	- Install start cups.
	i. Not enough water consumption by day-olds.	- Increase pressure. - Increase lighting.
	j. Too many birds per nipple.	- Adjust the stocking rate.
	k. Use of another system during rearing of layers/breeders.	- Temporarily reduce the water pressure and use start cups.
	l. Drip cup too large (starting period) or too small (end of the flock).	- Consult the recommendations types of bird/nipples/drip cups.
4. Contamination of the drip cups.	a. Not enough birds per drip cup.	- Temporarily use less lines. Check the individual nipples.
	b. Nipples are silted up (calcium/iron).	- Agitate the nipples to let water through them to rinse.
5. Obstruction to the movement of birds.	a. Lines are suspended too low.	- Adjust the height.
6. The synthetic material of the drip cup is affected.	a. Use of non-authorized products.	- Consult the list of allowed products before using any of them.
7. Leaking connectors.	a. Incorrect installation. Too high pressure.	- Use the correct tools and follow the instructions. - Check position of the flush button on the pressure regulator. - Check if valve of the end unit is open during flushing.
8. Connectors get loose.	a. Too much water pressure on the line.	- First open end valve for flushing in case of manual flushing. Maximum water pressure = 3 BAR.
	b. Incorrect procedure when rinsing.	- See instructions part 1.
	c. Broken clamp ring 19802941.	- Replace clamp ring and follow the instructions.
9. Deformed tubes.	a. Heat source is too close.	- Remove the heat source, so that the line is no longer exposed to a temperature of more than 50°C.
10. Perching animals in case of electric poultry perch system.	a. No cable for poultry perch guard installed.	- Install cables for poultry perch guard or perch protection system when needed.
	b. Cable for poultry perch guard is not electrified.	- Make a correct connection to the poultry perch guard.(turn on). Check on short circuits.
	c. Cable for poultry perch guard not stretched enough.	- Control by expert.
	d. Wrong connection between the poultry perch guard and the line.	- Wrong connection between the poultry perch guard and the line.
	e. There is no earthing.	- Provide correct earthing.
	f. The animals tend to perch on the line.	- For breeders/layers : winch up the lines every evening and/or encourage the birds from the lines before switching off the lights.

PROBLEM	CAUSE	CORRECTIVE ACTION
11. Perching animals in case of SpinSoft poultry perch system.	a. Spinners touch the suspension tube. They do not move smoothly around the cable.	- Check if clearance between hangers and wings is sufficient according to the instructions. - Check if no dirt has accumulated in the cable guide of the spinners. Clean the cable guide if necessary.
	b. The cable sags too much. Not enough tension on the cable when the animals try to perch on the SpinSoft system.	- Check tension on the cable and readjust in accordance with the instructions.
12. The line sags.	a. Individual suspension points at incorrect height.	- Suspend the line at the correct height.
13. Deformed suspensions.	a. Cable is stretched too much.	- Adjust the stretch on the cable.
	b. Birds perch on the line.	- See actions in case of birds perching on the system.
14. Connector at the water tank/pressure regulator is broken.	a. Lines are winched up too high.	- Pay attention when winching up the lines.
		- Replace.
15. Water pressure on the line is too high.	a. Water pressure not set correctly.	- Put in correct position.
	b. Diaphragm valve of the automatic flush system is leaking.	- Check diaphragm valve for leakage. - Replace diaphragm if necessary.
16. Twisting of the water tank/pressure regulator.	a. Incorrect connection of the water hose.	- See instructions part 1
17. Water level in the breather unit difficult to read.	a. Inadequate cleaning.	- Clean using a brush (02206258).
18. Water pressure at the end of the line is too low/high.	a. Angle of floor slope too great (> 15 cm water supply point).	- Install extra water supply points (see sloping regulator).
	b. Length of line per water supply points is too high.	- Check the number of water supply points per line and install extra water supply points if necessary.
19. Suspension cord loose.	a. Incorrect fixing of the three hole string adjuster / adjusting plate.	- Incorrect fixing of the three hole string adjuster / adjusting plate.
20. Insufficient water supply in the house.	a. Water pressure is too low.	- Check the pump.
	b. Diameter of supply tube is too small.	- See instructions part 1.
21. Difference between incoming and outgoing pressure in the filter.	a. Contamination of filter set.	- Regularly clean the filter cartridge. Use clear water.
22. Leaks at the screw thread.	a. Nipple removed carelessly. Nipple not screwed in vertically or too deep.	- Use sealing material. If necessary, replace the part which leaks. If there are several leaks, replace the tube partly or completely.
23. Nipples discolour.	a. Corrosive substances (acid) in the water.	- Stop administering additives. Contact your supplier of additives.
24. Insufficient water consumption when starting up the layers (production) at the age of 16-18 weeks.	a. Birds have been reared on another system. b. Not enough adaptation time.	- Longer period with light (24 hours). - Maximum light intensity. - Trigger all nipples until drops appear and/ or until there is water in the drip cup. - Reduce the water pressure to 10 cm.

HAND WINCH TROUBLE SHOOTING GUIDE



**Not respecting above-mentioned instructions can cause physical injury or material damage.
Use personal protective equipment.**

DANGER

ACTIONS IN GREY BACKGROUND MUST BE DONE BY A TECHNICALLY TRAINED PERSON.



CAUTION

SEE TO IT THAT YOU FIRST REMOVE EACH ELEMENT WHICH CAN OBSTRUCT A SAFE OPERATION OF THE SYSTEM!

PROBLEM	CAUSE	CORRECTIVE ACTION
1. Brake doesn't work.	a. Screw thread on the drive shaft or the handle is damaged.	- Replace the hand winch.
	b. Screw thread on the drive shaft or the handle is dirty.	- Clean the hand winch dry. - When not ok , please ask a technically trained person.
	c. Brake disks are dirty.	- Clean the hand winch dry. - When not ok , please ask a technically trained person.
	d. Handle has been screwed up against the locknut when turning down.	- Release the handle from the locknut.
2. Winching up doesn't work.	a. Load is too heavy.	- Limit the load till max. 300 kg.
	b. Cable to load is blocked somewhere.	- Release the cable.
	c. Drum weldment or drive shaft of the hand winch is blocked because of dirt or rust.	- Clean the hand winch and grease where necessary.
3. Putting down the load doesn't work.	a. Safety lock is switched on.	- Take the handle and unlock the safety lock.
	b. Cable to load is blocked somewhere.	- Release the cable.
	c. Drum weldment or drive shaft of the hand winch is blocked because of dirt or rust.	- Clean the hand winch and grease where necessary.

MAINTENANCE INSTRUCTIONS



DANGER

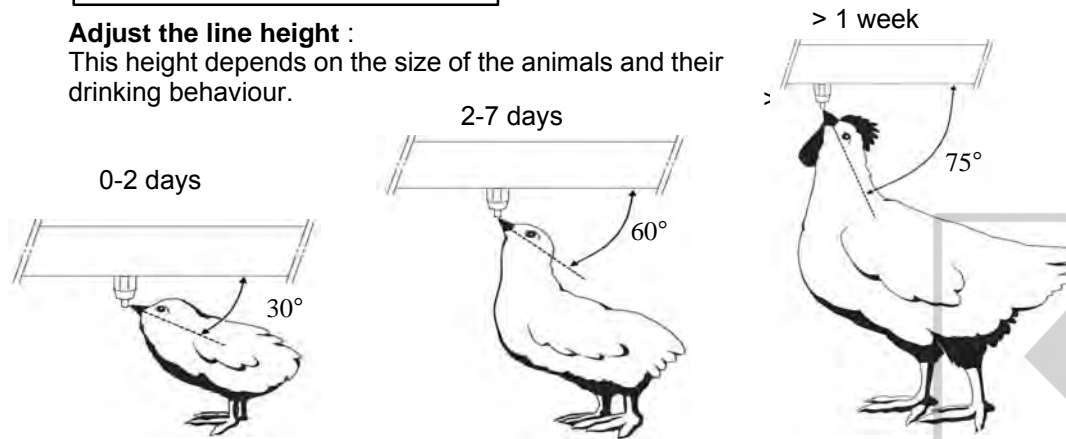
Use personal protection protective equipment.

- Remove all dirt and dust after each batch or at least every 6 months.
- See to it that the handle turns fluently on the screw thread of the main shaft.
- Don't use water to clean the hand winch.
- Use grease to grease moving parts.

1. HEIGHT

Adjust the line height :

This height depends on the size of the animals and their drinking behaviour.



MANAGEMENT OF THE HEIGHT ADJUSTMENT OF THE LINE

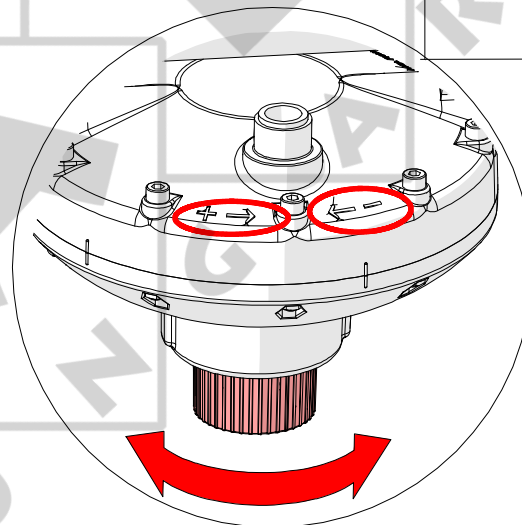
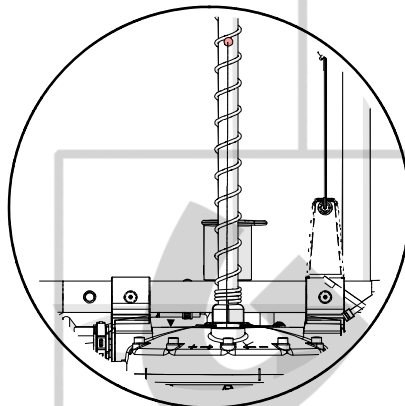
2. WATER PRESSURE

2.1. Adjust the water pressure to the age of the birds.

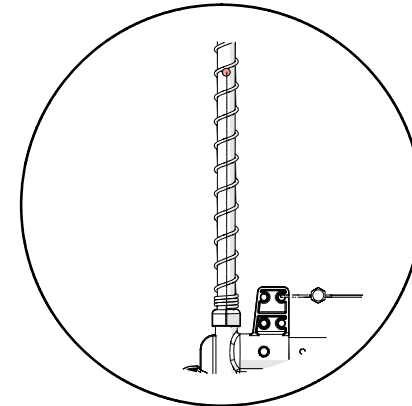
2.2 If the litter under the drinking lines is wet :
reduce the pressure.

If there is not enough water consumption :
increase the pressure.

WATER PRESSURE IN THE REGULATOR



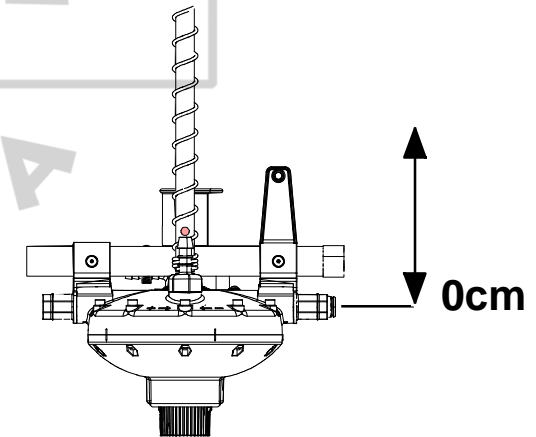
WATER PRESSURE IN THE END UNIT



3. OPERATION OF THE DRINKING SYSTEM

General guidelines for water pressure ((water column) in function of the age of the birds:

Age [days]	Water column [cm]
0 - 7	7 - 10
7 - 21	10 - 20
21 - end of the flock	20 - 35



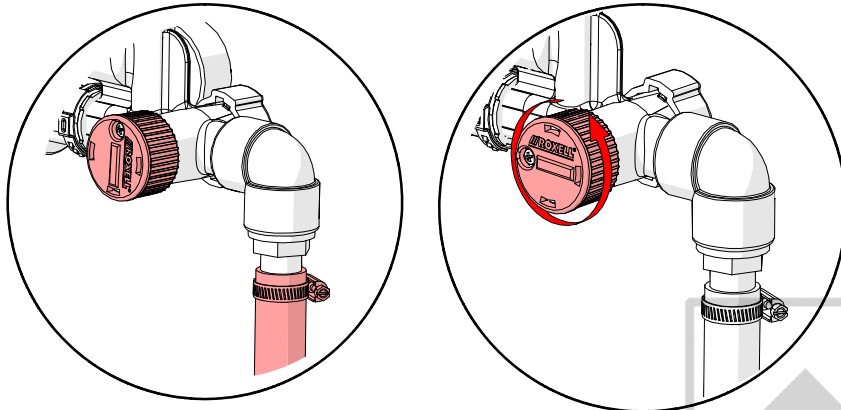
SwiiFlo™

OPERATOR'S GUIDE

ROXELL®

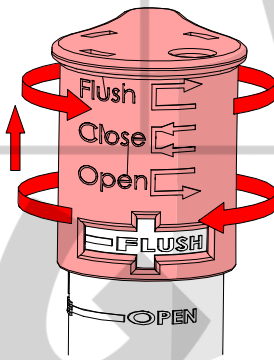
4. MANUAL FLUSHING

4. 1 Connect the end unit to the drain hose.
Put the end unit valve in the flushing position.



FLUSHING POSITION OF THE END UNITS

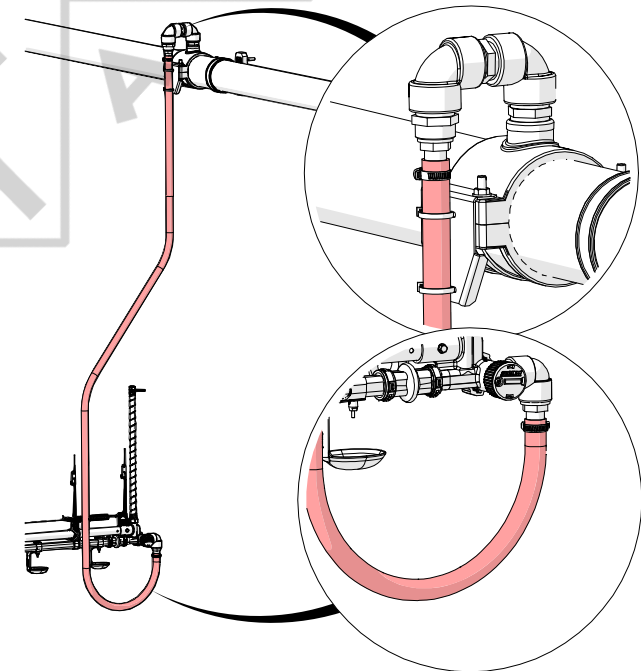
4. 2 Put the pressure regulator operation valve in the flushing position.
4. 3 Flush the lines one after another (max. 3 BAR /40 Psi).
4. 4 After flushing, put all components back into their original position.



5. FLUSHING WITH OVERFLOW

5. 1 Proceed as described in **MANUAL FLUSHING 4.1-4.4.**
5. 2 The end unit valve is **always in flushing position.**
5. 3 The end unit is connected to the drain pipe (over flow).
5. 4 Put the pressure regulator operation valve in the flushing position.
5. 5 After flushing, put all components back into their original position.

Max. 5 m



We recommend a **maximum height of 5 m** for the drainage system
The minimum height is 2 m!



Inbouwverklaring betreffende niet voltooide machines (Richtlijn 2006/42/EG, Bijlage II.1.B)
Declaration of incorporation of partly completed machinery (Directive 2006/42/EC, Annex II.1.B)

Fabrikant/Manufacturer:
Roxell, Industrielaan 13, 9990 Maldegem
Tel: +32 50 72 91 72
Fax: +32 50 71 67 21

Verklaart geheel onder eigen verantwoordelijkheid dat het product:
Declares on its own responsibility that the product:

SPARKcup/SPARKnipple/Swii'Flo Nr: 025.../022...
Drinksysteem voor pluimvee (met pomp).
Drinking system for poultry (with pump).

Waarop deze verklaring betrekking heeft, in overeenstemming is met:

- de volgende richtlijnen: 2006/42/EG (Machinery Directive); 2014/30/EU (Electromagnetic Compatibility).
- de geharmoniseerde Europese Normen: EN ISO 13857:2008; EN 349:1993 + A1:2008; EN ISO 12100:2010; EN 60204-1:2006; EN 61439-1:2011; EN 61439-2:2011

Het is verboden bovengenoemd product in gebruik te stellen voordat de machine waarin het wordt ingebouwd in overeenstemming met de bepalingen van de Machinerichtlijn is verklaard.

Tevens verbindt de fabrikant (of zijn gemachtigde) zich om op met redenen omkleed verzoek van de nationale autoriteiten de relevante informatie over deze niet voltooide machine door te geven. De wijze van doorgifte is digitaal. De wijze van informatieverschaffing laat de intellectueel-eigendomsrechten van de fabrikant van de niet voltooide machine onverlet.

(NL)

Relating to this declaration, is conform

- The following directives 2006/42/EC (Machinery Directive); 2014/30/EU (Electromagnetic Compatibility).
- The harmonised European standards: EN ISO 13857:2008; EN 349:1993 + A1:2008; EN ISO 12100:2010; EN 60204-1:2006; EN 61439-1:2011; EN 61439-2:2011

This product must not be put into service until the machinery into which it is to be incorporated has been declared in conformity with the provisions of the Machinery Directive.

The manufacturer (or its agent) also undertakes, at the duly reasoned request of the national authorities, to provide the relevant information concerning this partly completed machinery. The method of transmission will be digital. The manner in which the information is provided does not prejudice the manufacturer's intellectual property rights concerning the partly completed machinery.

(EN)

Plaats, Datum / Place, Date : Maldegem, 01/01/2017

02001204

Dhr. Gino Van Landuyt
Managing Director

"This part may only be filled out if all built-in subparts are delivered by Roxell"

EG-verklaring van overeenstemming (Richtlijn 2006/42/EG, Bijlage II.1.A)
EC-declaration of conformity (Directive 2006/42/EC, Annex II.1A)

Wij/We _____
(naam installateur/name fitter)

(volledig adres en land/complete address)

Verklaren geheel onder eigen verantwoording de
Declare completely on own justification that

(naam machine/name machinery) (nummer CE-label/number CE-label)

In een installatie te hebben ingebouwd geheel volgens de Roxell-voorschriften en in overeenstemming met de bepalingen van de Machinerichtlijn.
Has been incorporated in conformity with the provisions of the Machinery Directive and the prescriptions of Roxell bvba.

(plaats, datum/place, date) (naam, handtekening/name, signature)

De EG-verklaring van overeenstemming / inbouwverklaring betreft uitsluitend de machine of niet voltooide machine in de toestand waarin zij op de markt is gebracht, met uitsluiting van de later bijvoorbeeld door de verdeler en/of installateur en/of eindgebruiker toegevoegde componenten en/of verrichte bewerkingen.

The EC-declaration of conformity / declaration of incorporation relates exclusively to the machinery or partly completed machine in the state in which it was placed on the market and excludes components which are added and/or operations carried out thereafter for instance by the distributor and/or the installer and/or the final user.



EG-verklaring van overeenstemming (*Richtlijn 2006/42/EG, Bijlage II.1.A*)
EC-declaration of conformity (*Directive 2006/42/EC, Annex II.1.A*)

Fabrikant/Manufacturer:
 Roxell, Industrielaan 13, 9990 Maldegem
 Tel: +32 50 72 91 72
 Fax: +32 50 71 67 21

Verklaart geheel onder eigen verantwoordelijkheid dat het product:
 Declares on its own responsibility that the product:

Winching system Nr: 00102368 / 00102087
 Liersysteem voor voer- en drinklijnen; manueel en gemotoriseerd
 Winching system for feed- and drink lines; manual and motorised
 Nummer CE-label/number CE-label : _____

Waarop deze verklaring betrekking heeft, in overeenstemming is met:

- de volgende richtlijnen: 2006/42/EG (Machinerichtlijn); 2014/30/EU (Elektromagnetische Compatibiliteit).
 - de geharmoniseerde Europese Normen: EN ISO 13857; EN 349:1993 + A1:2008; EN ISO 12100:2010; gemotoriseerd: EN 60204-1:2006; EN 61439-1:2011; EN 61439-2:2011
- De EG-verklaring van overeenstemming / inbouwverklaring betreft uitsluitend de machine of niet voltooide machine in de toestand waarin zij op de markt is gebracht, met uitsluiting van de later door bijvoorbeeld de verdeler en/of installateur en/of eindgebruiker toegevoegde componenten en/of verrichte bewerkingen.

(NL)

Relating to this declaration, is conform

- The following directives 2006/42/EC (Machinery Directive); 2014/30/EU (Electromagnetic Compatibility).
 - The harmonised European standards: EN ISO 13857:2008; EN 349:1993 + A1:2008; EN ISO 12100:2010; motorised: EN 60204-1:2006; EN 61439-1:2011; EN 61439-2:2011

The EC-declaration of conformity / declaration of incorporation relates exclusively to the machinery or partly completed machine in the state in which it was placed on the market and excludes components which are added and/or operations carried out thereafter for instance by the distributor and/or the installer and/or the final user.

(EN)

Plaats, Datum / Place, Date : Maldegem, 01/01/2017

.....
 Dhr. Gino Van Landuyt
 Managing Director

G
H

A
U

L
N

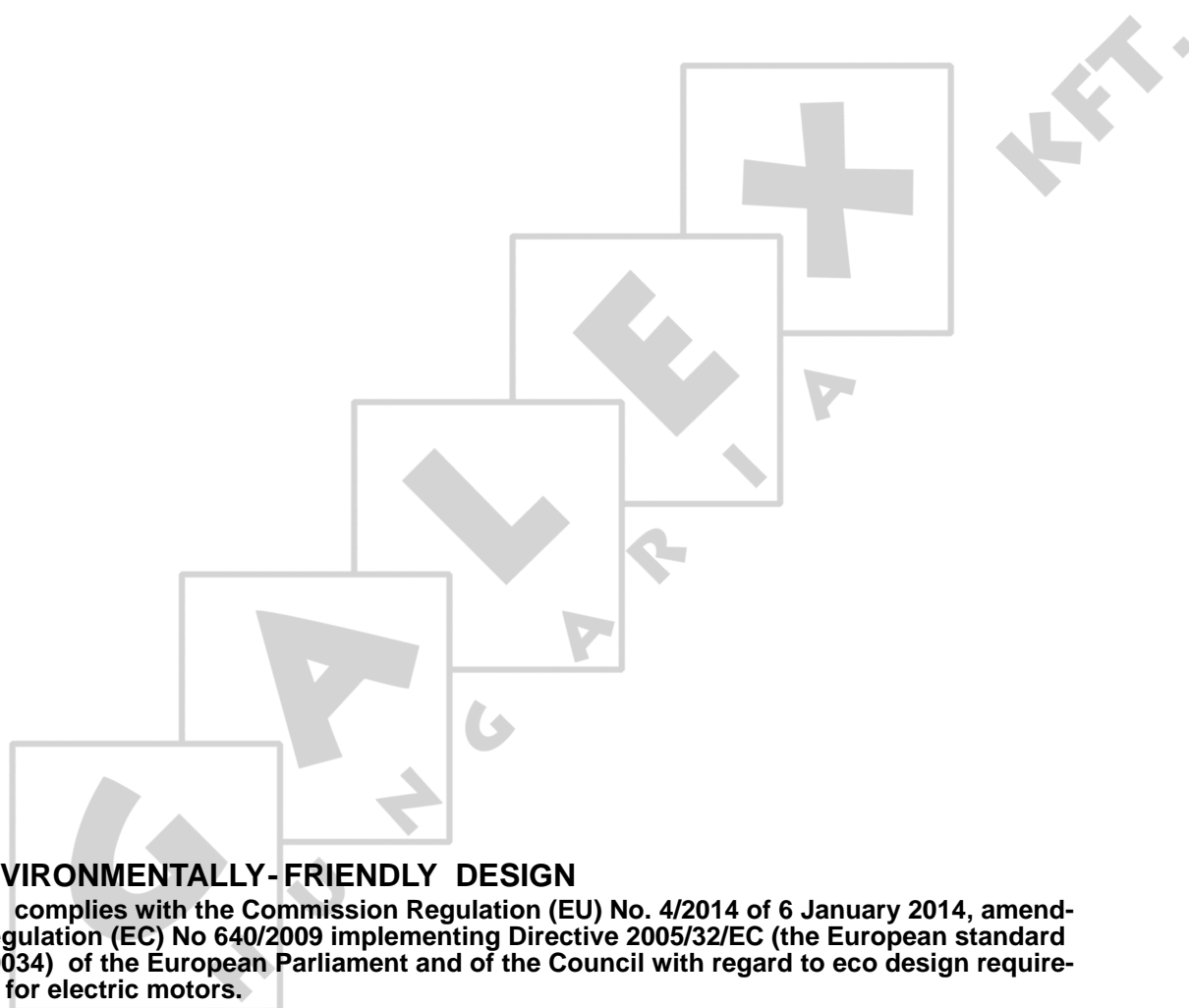
E
R

A
+

KET.

PART II

COMPONENTS



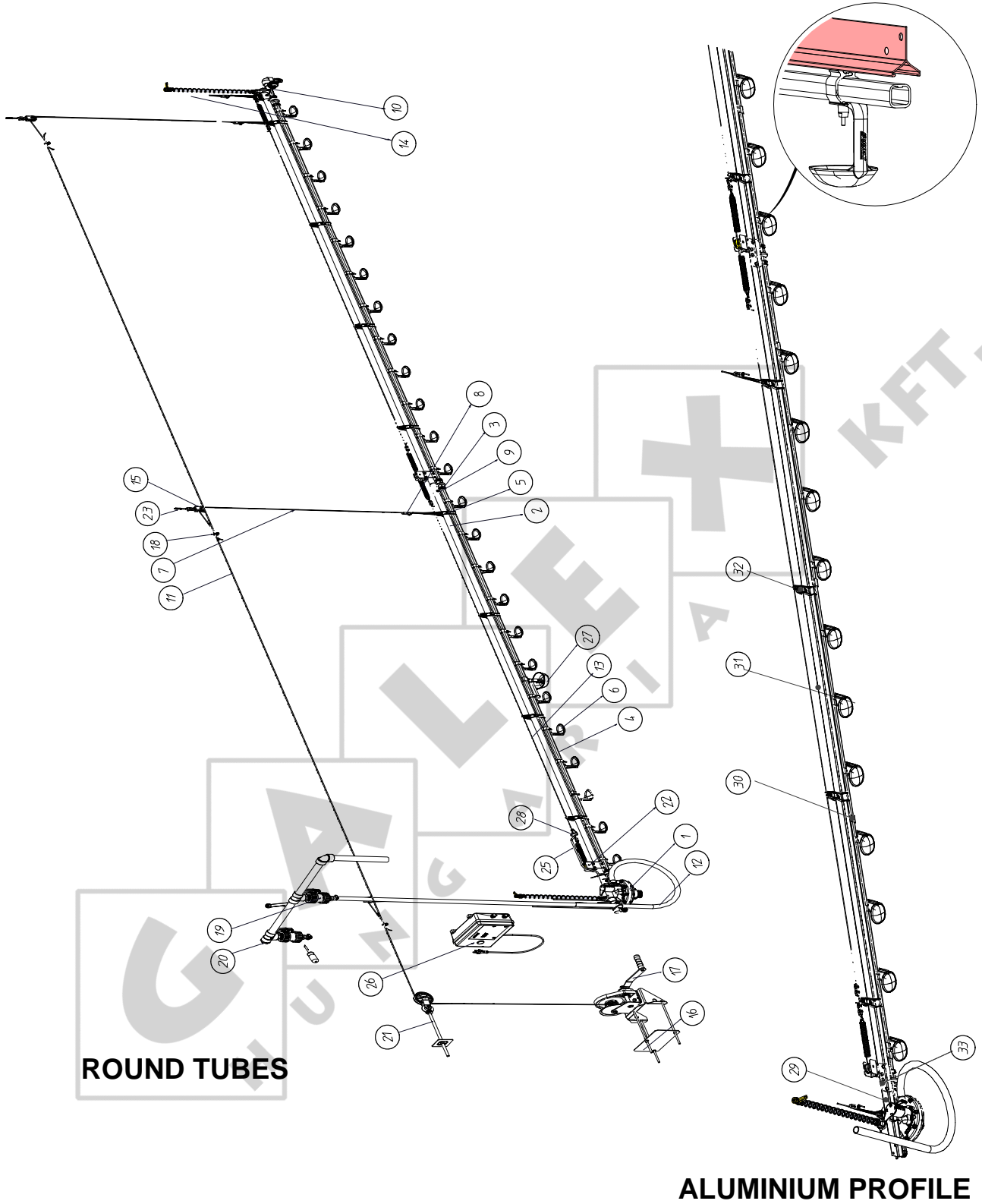
1. ENVIRONMENTALLY-FRIENDLY DESIGN

Roxell complies with the Commission Regulation (EU) No. 4/2014 of 6 January 2014, amending Regulation (EC) No 640/2009 implementing Directive 2005/32/EC (the European standard IEC 60034) of the European Parliament and of the Council with regard to eco design requirements for electric motors.

2. COMMUNICATION

For all communication concerning parts/spare parts refer to the appropriate part number (not part name).

GENERAL VIEW SWII'FLO



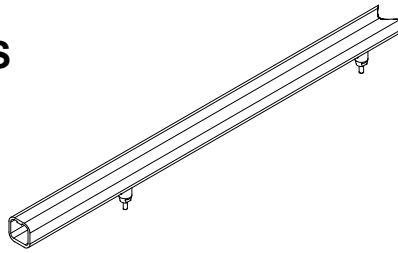
ROUND TUBES

ALUMINIUM PROFILE

PRODUCT NUMBERS SWII'FLO

Key	Name	Part Nr.
1	PRESSURE REGULATOR LOW PRESSURE	02204873
2	SUSPENSION TUBE 3/4" LG=3080MM	02203263
3	EXPANSION CONNECTOR WITH CLIP	12201836
4	TUBE WITH NIPPLES	see table
5	HANGER FOR ROUND TUBE	02203362
6	SMALL DRIP CUP	02204857
	BIG DRIP CUP	02204865
7	ROPE - Ø3 - POLYPROP - 250M	02001583
8	THREE HOLE STRING ADJUSTER	02203321
	SUSPENSION SCREW - GREY	02201887
9	SELF DRILLING SCREW 4.8 X 13	20103974
10	END UNIT LOW PRESSURE	02204899
11	CABLE ø 3MM	02001154
12	WATER HOSE DIA. 3/4" - 50M	02001575
13	CABLE 1/16" - 1.5 MM - 250M	00106839
	CABLE 1/16" - 1.5 MM - 500M	00106831
14	BREATHER UNIT 450MM	02205128
15	SMALL PULLEY WITH STAINLESS STEEL HOOK	00104349
	SMALL METAL PULLEY	00102335
16	HAND WINCH BRACKET ASS'Y	02000792
17	HAND WINCH	02001410
18	CABLE CLAMP NO. 5	00100545
19	PVC LINE OUTLET	02500361
20	PVC STOP 1"	02500536
21	HEAVY DUTY PULLEY (METAL)	00702571
22	POULTRY PERCH GUARD KIT	02001428
23	SCREW HOOK 90 MM	05000872
	SCREW HOOK 160 MM	05000237
25	CABLE F. PERCH GUARD - 50M	00106847
	CABLE F. PERCH GUARD - 100M	00106855
26	POULTRY PERCH GUARD	00105692
27	START CUP FOR METAL VALVE	02201911
28	DUPLEX CABLE CLAMP ST.ST. - 3MM	00106945
29	PRESS. REGULATOR LOW PRESSURE F/PROFILE	02206656
30	HOLDER GREY	12201794
31	ALUMINIUM PROFILE 3M	02206576
32	HANGER FOR PROFILE	02206648
33	METAL COUPLING FOR ALUMINIUM PROFILE	02206704

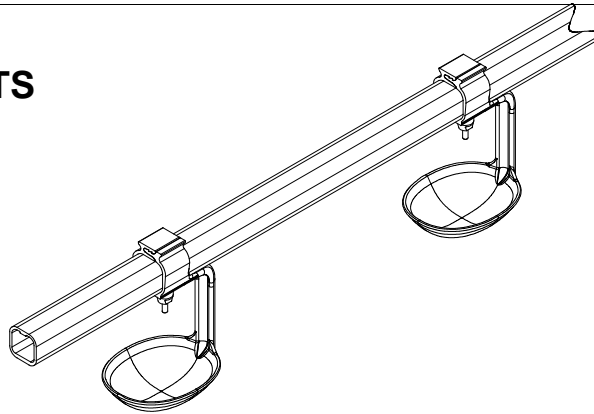
Swii'Flo TUBES



FEATHER SOFT-METAL

02205862	TUBE FS 80 M - 8 NIPPLES	02205771	TUBE FS 130 M WITH 8 NIPPLES
02205870	TUBE FS 80 M WITH 10 NIPPLES	02205003	TUBE FS 130 M WITH 10 NIPPLES
02205888	TUBE FS 80 M WITH 12 NIPPLES	02205011	TUBE FS 130 M WITH 12 NIPPLES
02205896	TUBE FS 80 M WITH 15 NIPPLES	02205029	TUBE FS 130 M WITH 15 NIPPLES
02205904	TUBE FS 80 M WITH 18 NIPPLES	02205789	TUBE FS 130 M WITH 18 NIPPLES
02205912	TUBE FS 80 M WITH 20 NIPPLES	02205797	TUBE FS 130 M WITH 20 NIPPLES
	FEATHER SOFT-PLASTIC		FEATHER SOFT-PLASTIC
02205839	TUBE FS 80 P - 8 NIPPLES	02205805	TUBE FS 130 P WITH 8 NIPPLES
02205060	TUBE FS 80 P WITH 10 NIPPLES	02205037	TUBE FS 130 P WITH 10 NIPPLES
02205078	TUBE FS 80 P WITH 12 NIPPLES	02205045	TUBE FS 130 P WITH 12 NIPPLES
02205086	TUBE FS 80 P WITH 15 NIPPLES	02205052	TUBE FS 130 P WITH 15 NIPPLES
02005847	TUBE FS 80 P WITH 18 NIPPLES	02205813	TUBE FS 130 P WITH 18 NIPPLES
02205854	TUBE FS 80 P WITH 20 NIPPLES	02205821	TUBE FS 130 P WITH 20 NIPPLES
	VERTICAL - METAL		VERTICAL - METAL
02205953	TUBE VT 80 M - 8 NIPPLES	02205920	TUBE VT 130 M WITH 8 NIPPLES
02205961	TUBE VT 80 M WITH 10 NIPPLES	02205094	TUBE VT 130 M WITH 10 NIPPLES
02205979	TUBE VT 80 M WITH 12 NIPPLES	02205102	TUBE VT 130 M WITH 12 NIPPLES
02205987	TUBE VT 80 M WITH 15 NIPPLES	02205110	TUBE VT 130 M WITH 15 NIPPLES
02205995	TUBE VT 80 M WITH 18 NIPPLES	02205938	TUBE VT 130 M WITH 18 NIPPLES
02206001	TUBE VT 80 M WITH 20 NIPPLES	02205946	TUBE VT 130 M WITH 20 NIPPLES

Swii'Flo UNITS



FEATHER SOFT-METAL

SMALL DRIP CUP		BIG DRIP CUP	
02206019	TUBE FS 130 M WITH 8 NIPPLES - SD	02206381	TUBE FS 130 M WITH 8 NIPPLES - BD
02206027	TUBE FS 130 M WITH 10 NIPPLES - SD	02206399	TUBE FS 130 M WITH 10 NIPPLES - BD
02206035	TUBE FS 130 M WITH 12 NIPPLES - SD	02206407	TUBE FS 130 M WITH 12 NIPPLES - BD
02206043	TUBE FS 130 M WITH 15 NIPPLES - SD	02206415	TUBE FS 130 M WITH 15 NIPPLES - BD
02206050	TUBE FS 130 M WITH 18 NIPPLES - SD	02206423	TUBE FS 130 M WITH 18 NIPPLES - BD
02206068	TUBE FS 130 M WITH 20 NIPPLES - SD	02206431	TUBE FS 130 M WITH 20 NIPPLES - BD
02206600	TUBE FS 80 M WITH 8 NIPPLES - SD	02206712	TUBE FS 80 M WITH 8 NIPPLES - BD
02206608	TUBE FS 80 M WITH 10 NIPPLES - SD	02206720	TUBE FS 80 M WITH 10 NIPPLES - BD
02206616	TUBE FS 80 M WITH 12 NIPPLES - SD	02206728	TUBE FS 80 M WITH 12 NIPPLES - BD
02206624	TUBE FS 80 M WITH 15 NIPPLES - SD	02206736	TUBE FS 80 M WITH 15 NIPPLES - BD
02206632	TUBE FS 80 M WITH 18 NIPPLES - SD	02206744	TUBE FS 80 M WITH 18 NIPPLES - BD
02206640	TUBE FS 80 M WITH 20 NIPPLES - SD	02206752	TUBE FS 80 M WITH 20 NIPPLES - BD

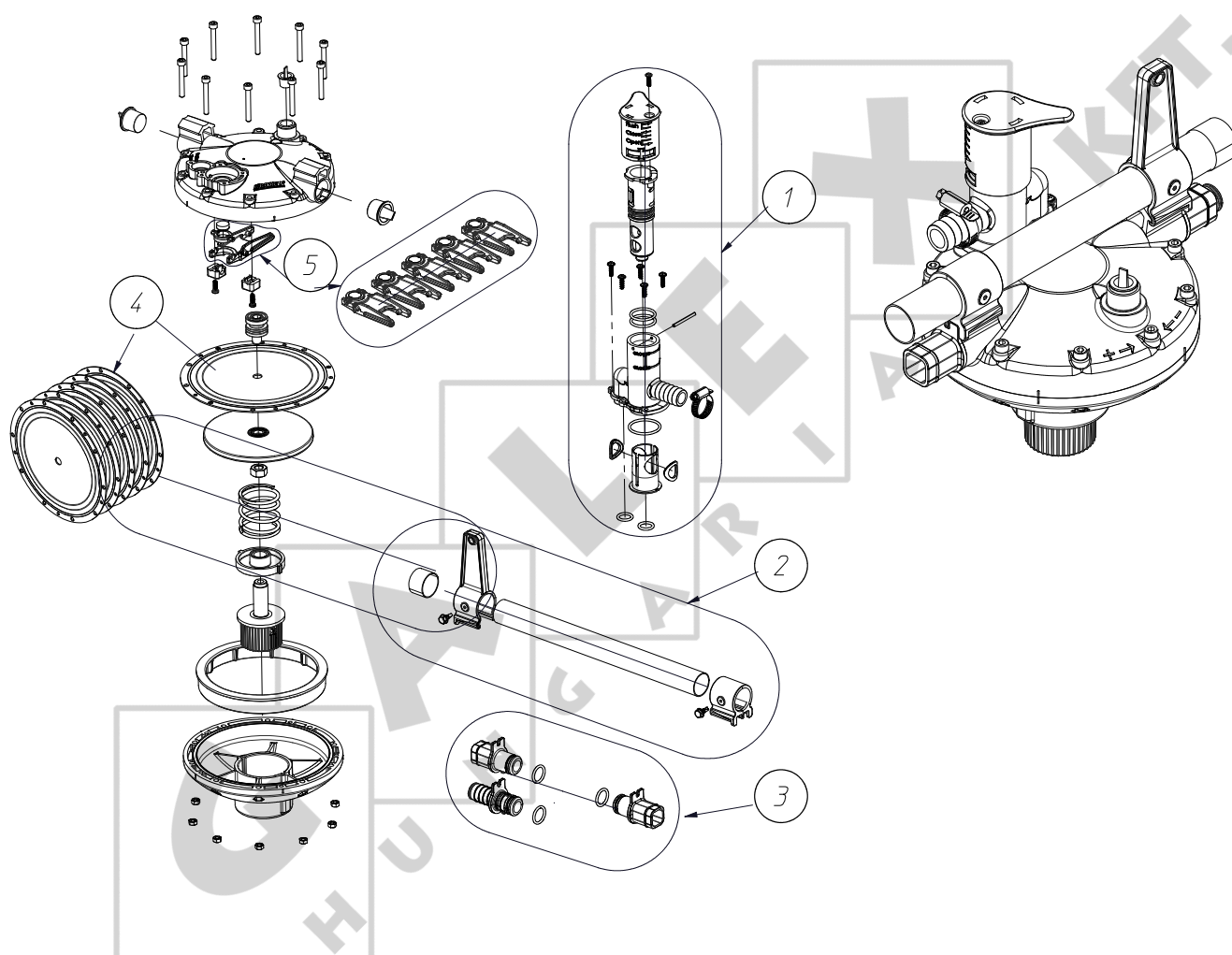
FEATHER SOFT-PLASTIC

SMALL DRIP CUP		BIG DRIP CUP	
02206076	TUBE FS 130 P WITH 8 NIPPLES - SD	02206076	TUBE FS 130 P WITH 8 NIPPLES - SD
02206084	TUBE FS 130 P WITH 10 NIPPLES - SD	02206084	TUBE FS 130 P WITH 10 NIPPLES - SD
02206092	TUBE FS 130 P WITH 12 NIPPLES - SD	02206092	TUBE FS 130 P WITH 12 NIPPLES - SD
02206100	TUBE FS 130 P WITH 15 NIPPLES - SD	02206100	TUBE FS 130 P WITH 15 NIPPLES - SD
02206118	TUBE FS 130 P WITH 18 NIPPLES - SD	02206118	TUBE FS 130 P WITH 18 NIPPLES - SD
02206126	TUBE FS 130 P WITH 20 NIPPLES - SD	02206126	TUBE FS 130 P WITH 20 NIPPLES - SD
02206760	TUBE FS 80 P WITH 8 NIPPLES - SD	02206760	TUBE FS 80 P WITH 8 NIPPLES - SD
02206768	TUBE FS 80 P WITH 10 NIPPLES - SD	02206768	TUBE FS 80 P WITH 10 NIPPLES - SD
02206776	TUBE FS 80 P WITH 12 NIPPLES - SD	02206776	TUBE FS 80 P WITH 12 NIPPLES - SD
02206784	TUBE FS 80 P WITH 15 NIPPLES - SD	02206784	TUBE FS 80 P WITH 15 NIPPLES - SD
02206792	TUBE FS 80 P WITH 18 NIPPLES - SD	02206792	TUBE FS 80 P WITH 18 NIPPLES - SD
02206800	TUBE FS 80 P WITH 20 NIPPLES - SD	02206800	TUBE FS 80 P WITH 20 NIPPLES - SD

VERTICAL - METAL

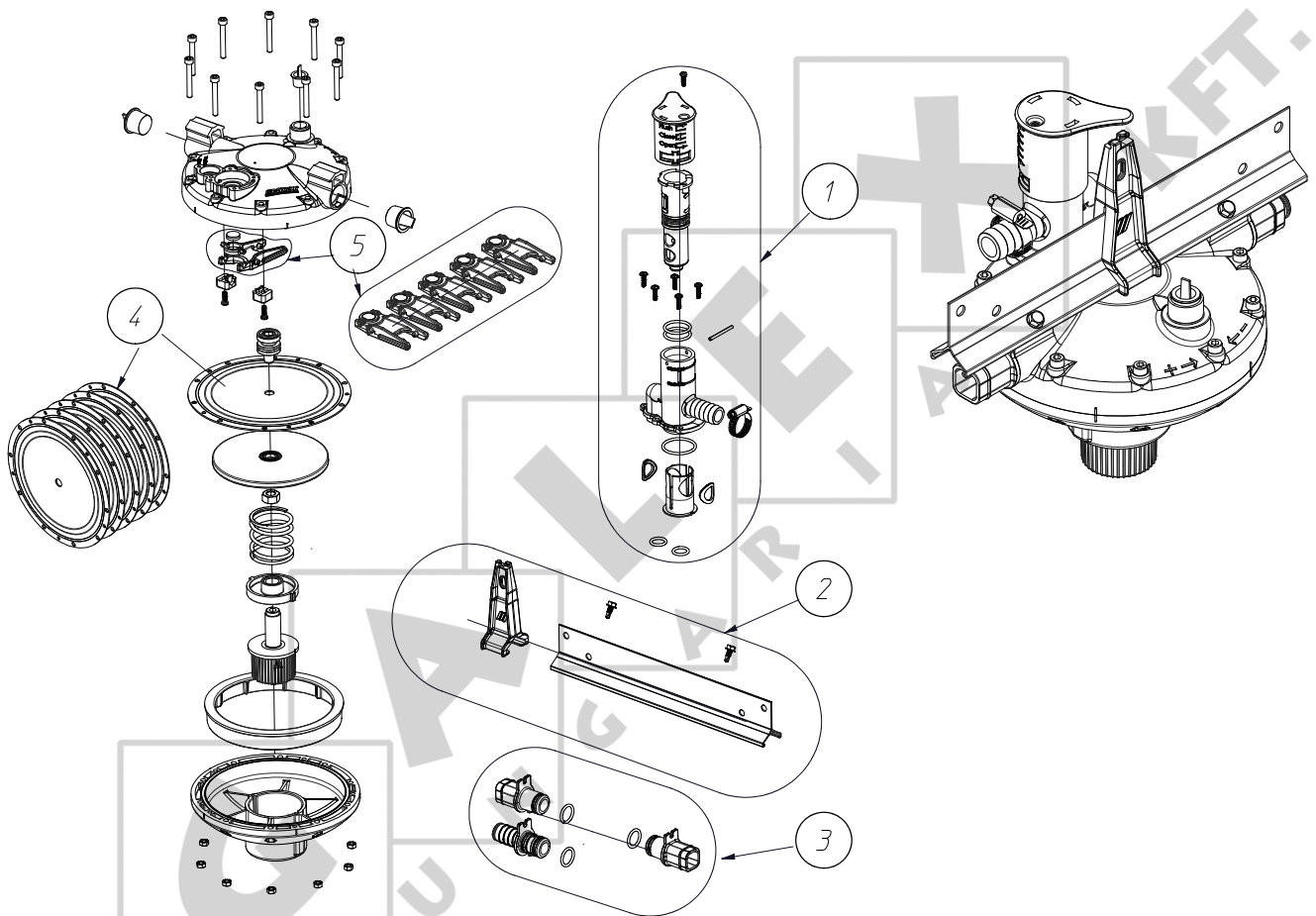
SMALL DRIP CUP		BIG DRIP CUP	
02206134	TUBE VT 130 M WITH 8 NIPPLES - SD	02206191	TUBE VT 130 M WITH 8 NIPPLES - BD
02206142	TUBE VT 130 M WITH 10 NIPPLES - SD	02206209	TUBE VT 130 M WITH 10 NIPPLES - BD
02206159	TUBE VT 130 M WITH 12 NIPPLES - SD	02206217	TUBE VT 130 M WITH 12 NIPPLES - BD
02206167	TUBE VT 130 M WITH 15 NIPPLES - SD	02206225	TUBE VT 130 M WITH 15 NIPPLES - BD
02206175	TUBE VT 130 M WITH 18 NIPPLES - SD	02206233	TUBE VT 130 M WITH 18 NIPPLES - BD
02206183	TUBE VT 130 M WITH 20 NIPPLES - SD	02206241	TUBE VT 130 M WITH 20 NIPPLES - BD
02206808	TUBE VT 80 M WITH 8 NIPPLES - SD	02206856	TUBE VT 80 M WITH 8 NIPPLES - BD
02206816	TUBE VT 80 M WITH 10 NIPPLES - SD	02206864	TUBE VT 80 M WITH 10 NIPPLES - BD
02206824	TUBE VT 80 M WITH 12 NIPPLES - SD	02206872	TUBE VT 80 M WITH 12 NIPPLES - BD
02206832	TUBE VT 80 M WITH 15 NIPPLES - SD	02206880	TUBE VT 80 M WITH 15 NIPPLES - BD
02206840	TUBE VT 80 M WITH 18 NIPPLES - SD	02206888	TUBE VT 80 M WITH 18 NIPPLES - BD
02206848	TUBE VT 80 M WITH 20 NIPPLES - SD	02206896	TUBE VT 80 M WITH 20 NIPPLES - BD

PRESSURE REGULATOR LOW PRESSURE - 02204890

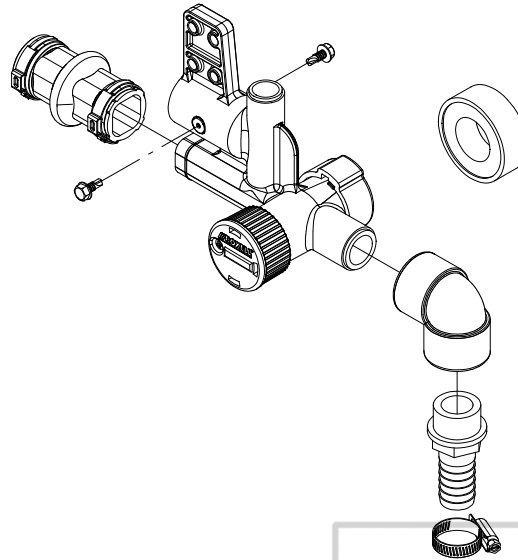
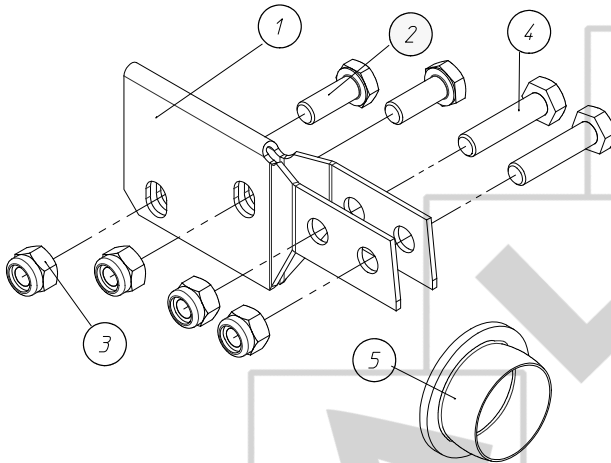


Key	Name	Part Nr.	Qt.
1	VALVE KIT PRESSURE REGULATOR	02206316	1
2	MOUNTING KIT PRESSURE REGULATOR	02206324	1
3	WATER CONNECTION KIT PRESSURE REGULATOR	02206332	10
4	MEMBRANE PRES. REG. LOW PRESSURE (SET 5PCS)	02206290	1
5	SEAL FOR REGULATION LEVER (SET 5PCS.)	02206308	1

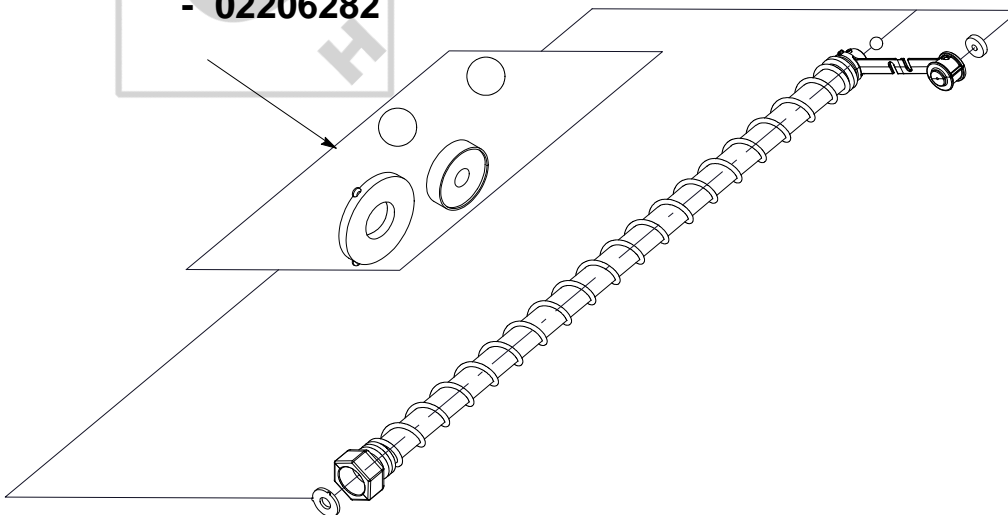
PRESS. REGULATOR LOW PRESSURE FOR PROFILE - 02207025



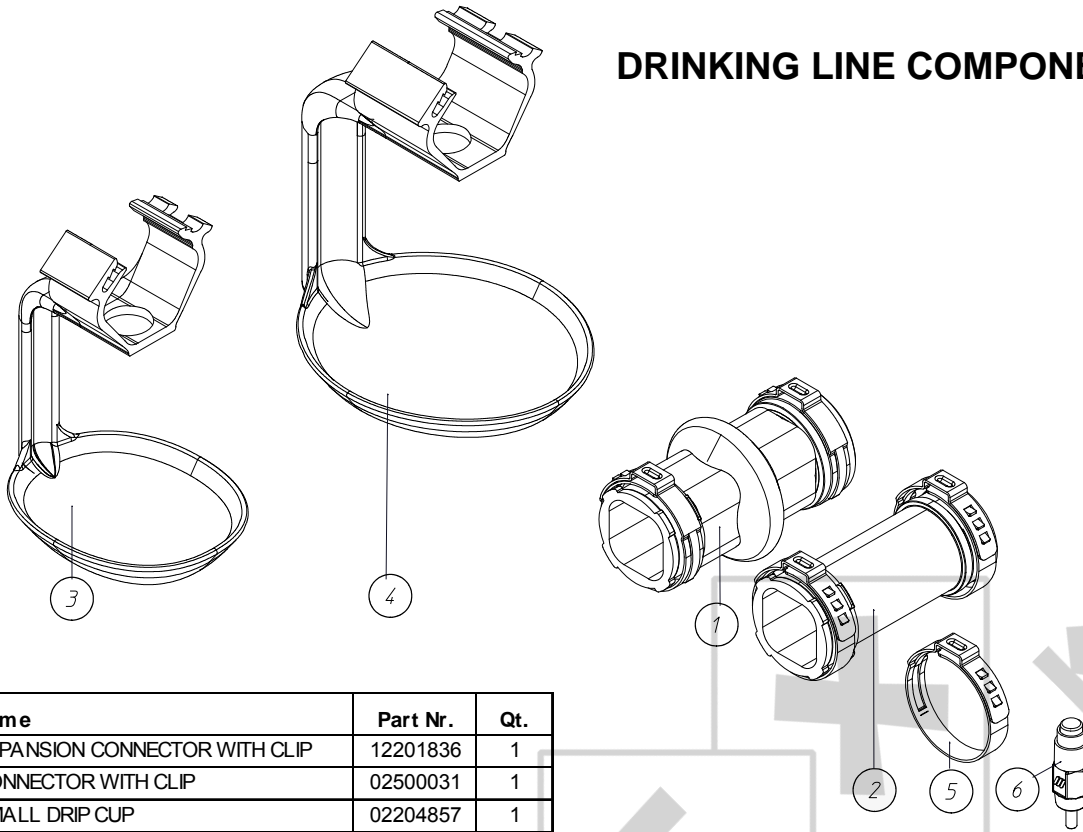
Key	Name	Part Nr.	Qt.
1	VALVE KIT PRESSURE REGULATOR	02206316	1
2	MOUNTING KIT PRESSURE REGULATOR	02206324	1
3	WATER CONNECTION KIT PRESSURE REGULATOR	02206332	10
4	MEMBRANE PRES.REG.LOW PRESSURE(SET 5PCS)	02206290	1
5	SPARE KIT REGULATION SET (SET 5PCS).	02207009	1

END UNIT LOW PRESSURE - 02204899**MOUNTING KIT END UNIT FOR PROFILE - 02001623**

Key	Name	Part Nr.	Qt.
1	SUPPORT END UNIT ALU. PROFILE	12204028	1
2	BOLT M6 X 16 - DIN 933 - 8.8	20100178	2
3	LOCKNUT M6 - DIN 985	20100400	4
4	BOLT M6 X 25 - DIN 933	20102984	2
5	STOP DIA.27.5 LPDE	12204052	1

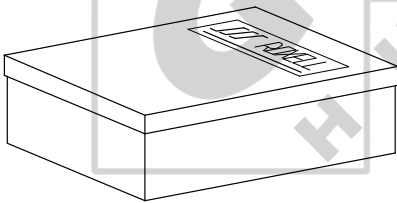

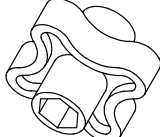
BREATHER UNIT 450 MM - 02205128**SPARE KIT BREATHER UNIT
- 02206282**

DRINKING LINE COMPONENTS

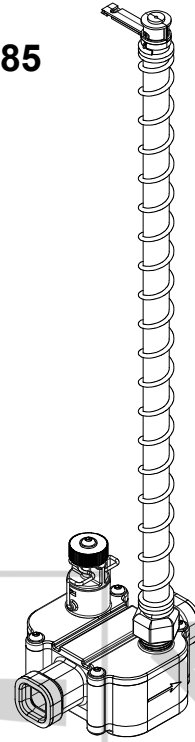


Key	Name	Part Nr.	Qt.
1	EXPANSION CONNECTOR WITH CLIP	12201836	1
2	CONNECTOR WITH CLIP	02500031	1
3	SMALL DRIP CUP	02204857	1
4	BIG DRIP CUP	02204865	1
5	CLAMP RING F/WAT. PIPE COUPL.4363	19802941	1
6	NIPPLE		1

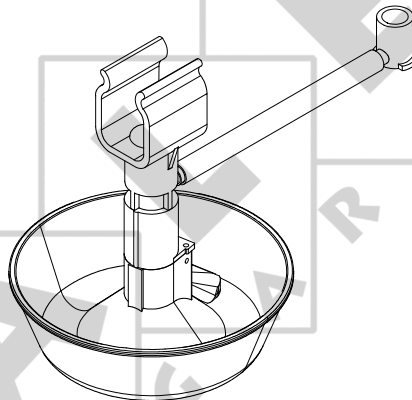
HOTSPARE SET

Name	Number	Qt.	Qt.
		NIPPLE 	NIPPLE KEY 12201935 
FS 130 P	02204949	10	1
FS 130 P	02206904	300	1
FS 80 P	02204956	10	1
FS 80 P	02206920	300	1
FS 130 M	02204964	10	1
FS 130 M	02206912	300	1
FS 80 M	02204972	10	1
FS 80 M	02206928	300	1
VT 130 M	02204980	10	1
VT 130 M	02206936	300	1
VT 80 M	02204998	10	1
VT 80 M	02206944	300	1

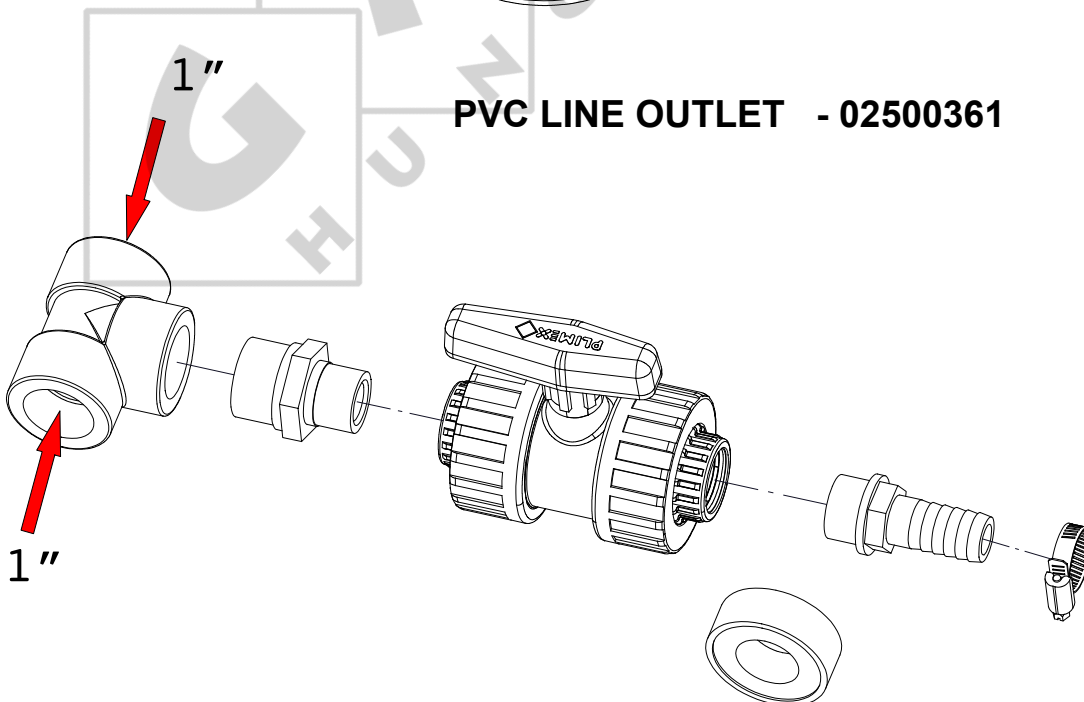
ADJUSTABLE SLOPE REGULATOR KIT - 02206985



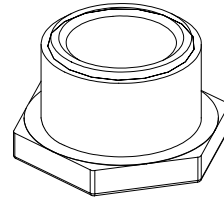
OPTION : START CUP FOR METAL VALVE - 02201911



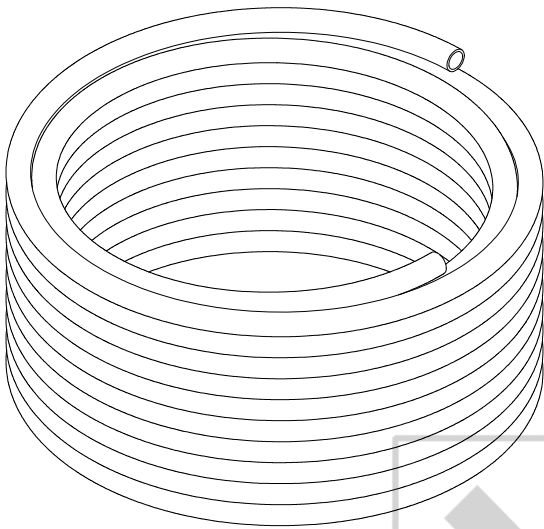
PVC LINE OUTLET - 02500361



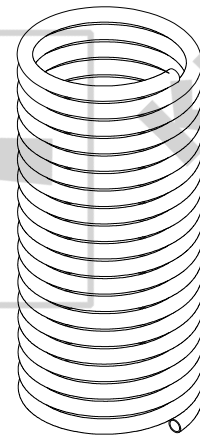
PVC STOP 1" - 02500536



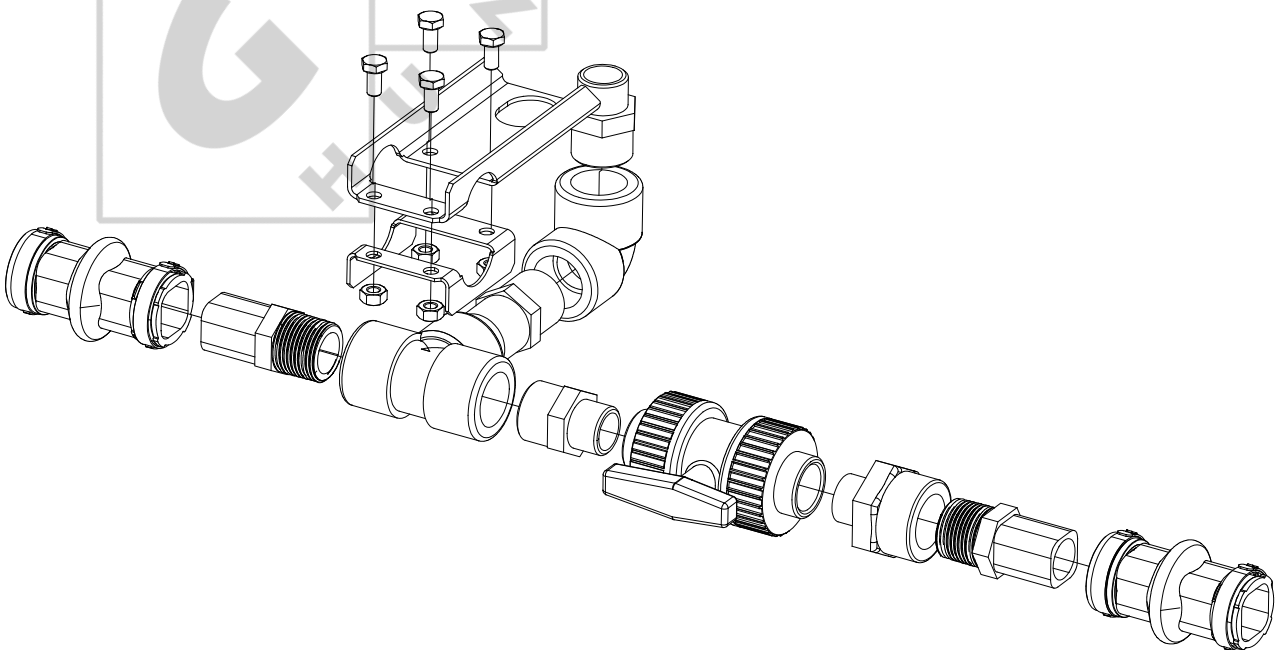
**WATER HOSE DIA. 3/4" - 50M
- 02001575**



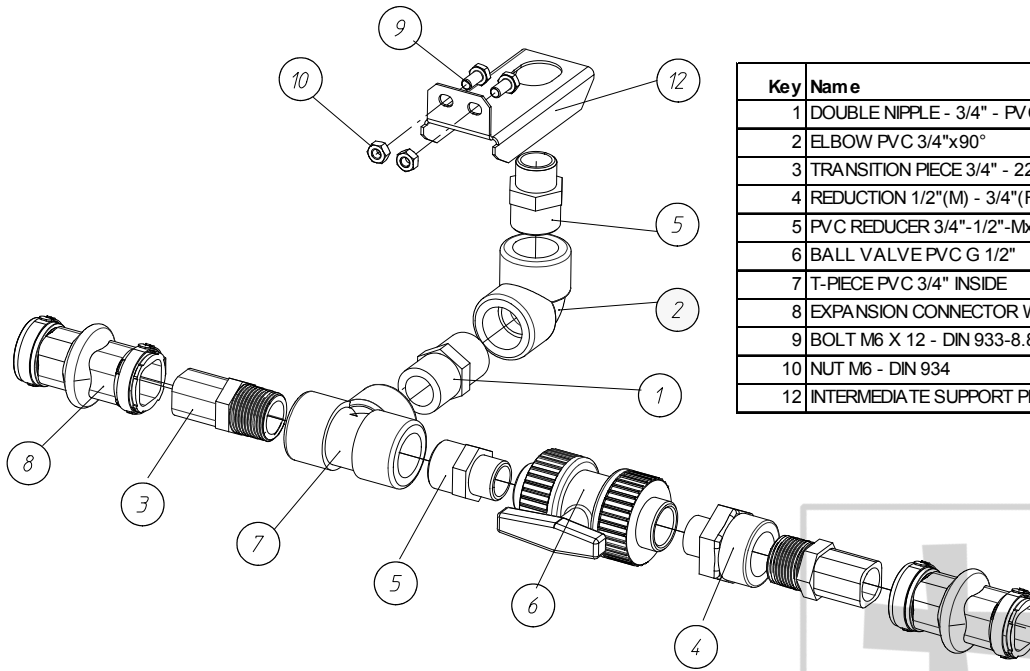
**SPIRAL HOSE Ø12.5XØ15 LG
= 9M - 02001113**



**OPTION : INTERMEDIATE SHUT OFF VALVE - LOW PRESSURE-
02204915**

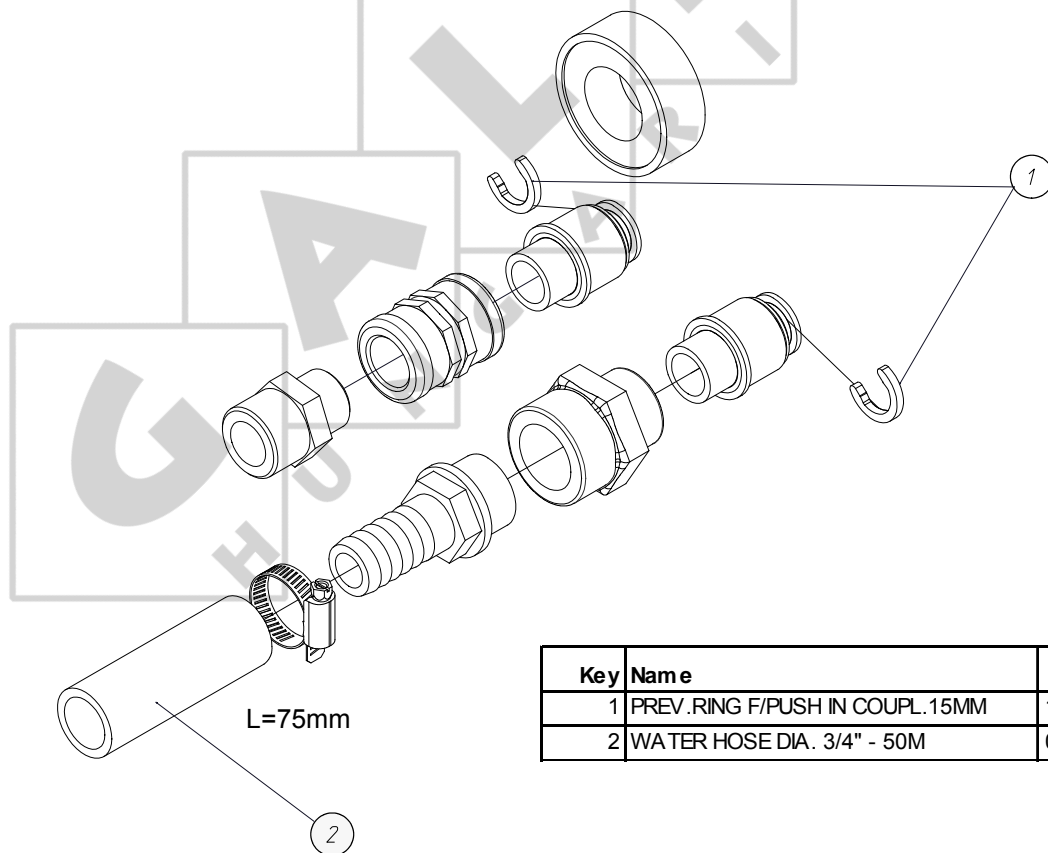


OPTION : INTERMEDIATE SHUT-OFF VALVE LP F/PROFILE- 02206672



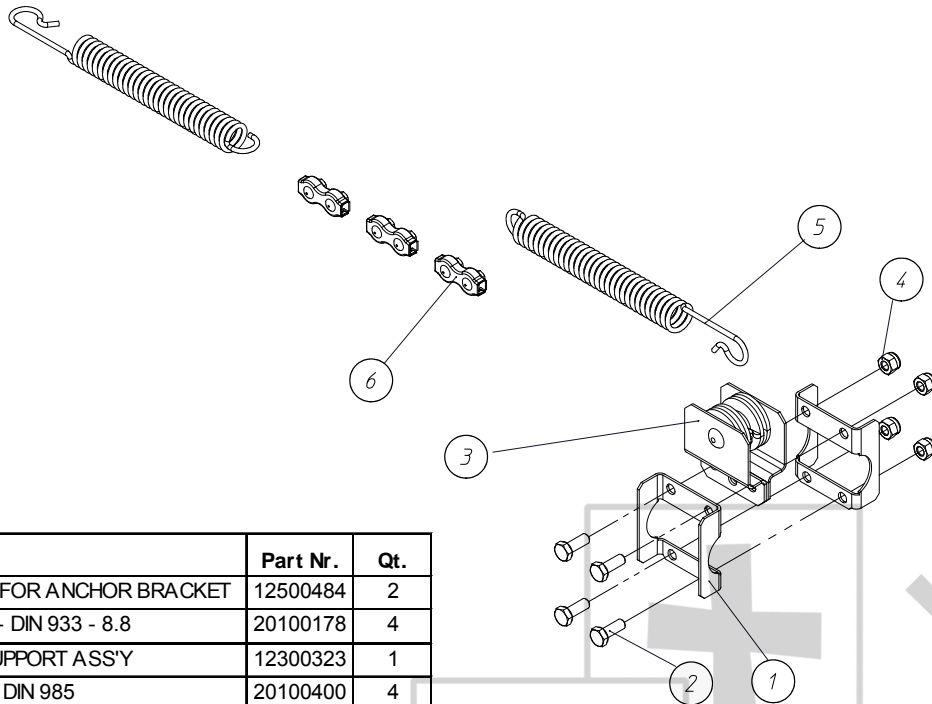
Key	Name	Part Nr.	Qt.
1	DOUBLE NIPPLE - 3/4" - PVC	12300315	1
2	ELBOW PVC 3/4"x90°	14207732	1
3	TRANSITION PIECE 3/4" - 22x22	12501375	2
4	REDUCTION 1/2"(M) - 3/4"(F)	12501664	1
5	PVC REDUCER 3/4"-1/2"-MxM	12500344	2
6	BALL VALVE PVC G 1/2"	12500468	11
7	T-PIECE PVC 3/4" INSIDE	12300893	1
8	EXPANSION CONNECTOR WITH CLIP	12201836	2
9	BOLT M6 X 12 - DIN 933-8.8	20100160	2
10	NUT M6 - DIN 934	20100210	2
12	INTERMEDIATE SUPPORT PLATE PROFILE	12203592	1

CONNECTION KIT FOR SPIRAL HOSE - 02206357



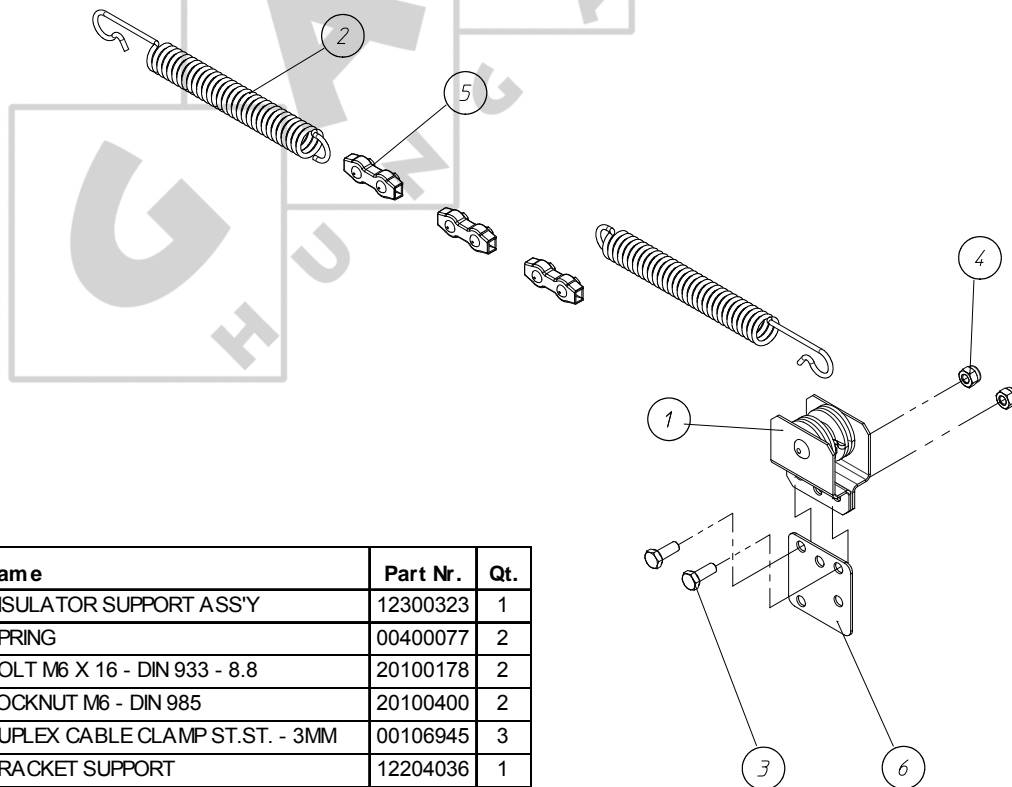
Key	Name	Part Nr.	Qt.
1	PREV. RING F/PUSH IN COUPL. 15MM	12001210	2
2	WATER HOSE DIA. 3/4" - 50M	02001575	1

POULTRY PERCH GUARD KIT - 02001428



Key	Name	Part Nr.	Qt.
1	CLAMP PLATE FOR ANCHOR BRACKET	12500484	2
2	BOLT M6 X 16 - DIN 933 - 8.8	20100178	4
3	INSULATOR SUPPORT ASS'Y	12300323	1
4	LOCKNUT M6 - DIN 985	20100400	4
5	SPRING	00400077	2
6	DUPLEX CABLE CLAMP ST.ST. - 3MM	00106945	3

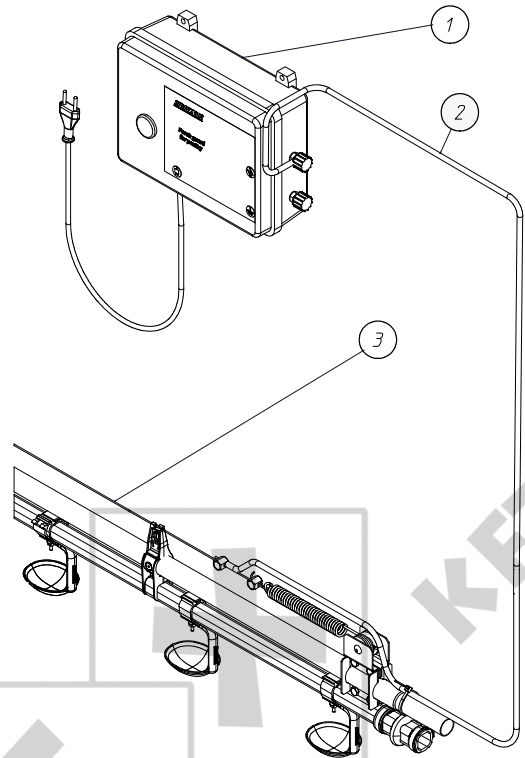
OPTION: PERCH GUARD KIT DRINKINGSYSTEM F/PROFILE - 02001615



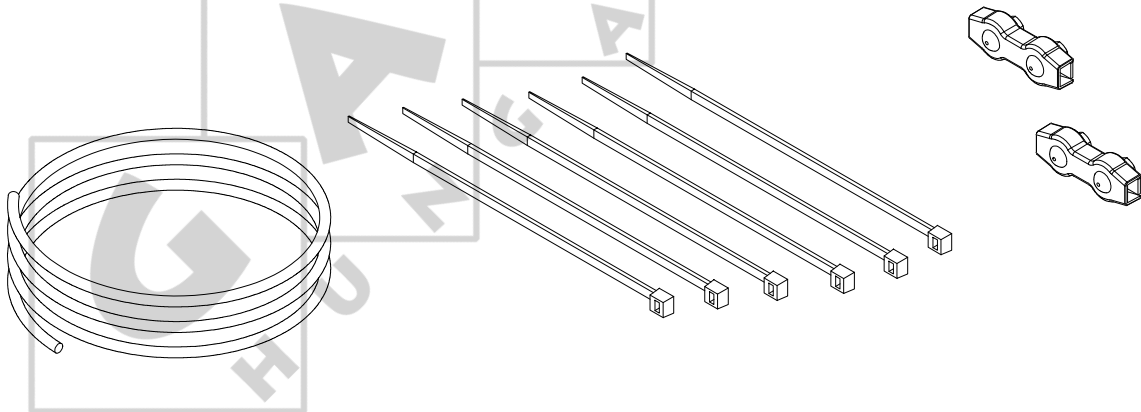
Key	Name	Part Nr.	Qt.
1	INSULATOR SUPPORT ASS'Y	12300323	1
2	SPRING	00400077	2
3	BOLT M6 X 16 - DIN 933 - 8.8	20100178	2
4	LOCKNUT M6 - DIN 985	20100400	2
5	DUPLEX CABLE CLAMP ST.ST. - 3MM	00106945	3
6	BRACKET SUPPORT	12204036	1

OPTION : POULTRY PERCH GUARD

Key	Name	Part Nr.
1	POULTRY PERCH GUARD	00105692
2	CABLE F. PERCH GUARD - 50M	00106847
	CABLE F. PERCH GUARD - 100M	00106855
3	CABLE 1/16" - 1.5 MM - 250M	00106839
	GALV. STEEL CABLE Ø 3MM - 500M	00106871



CONNECTION KIT PERCH GUARD CABLE - 02205169

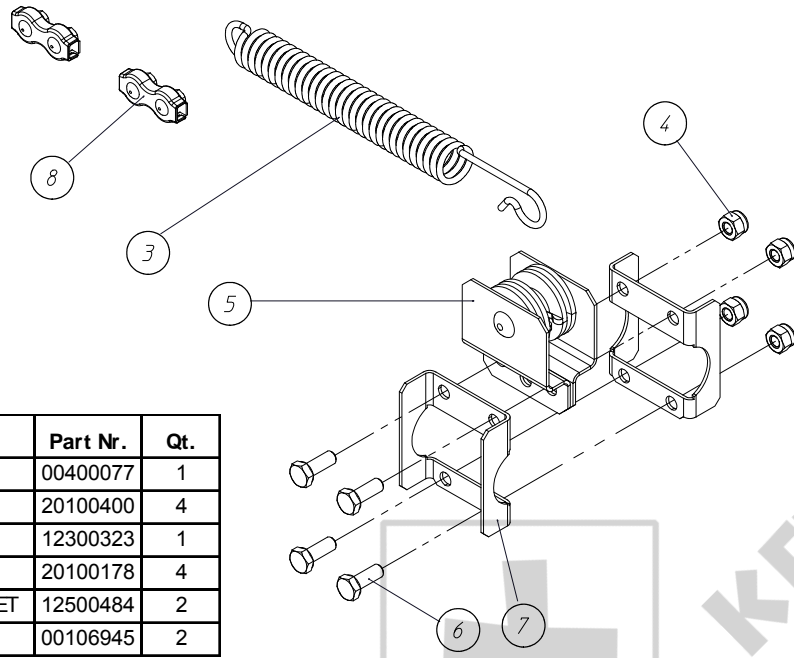


SPIN SOFT 50M - 00106484

SPIN SOFT 25M - 00106492

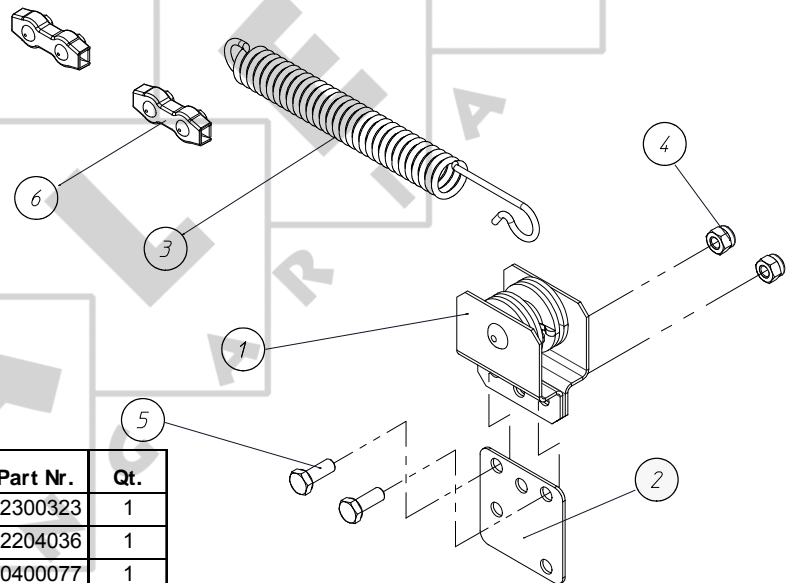


MOUNTING KIT SPIN SOFT - 02001444

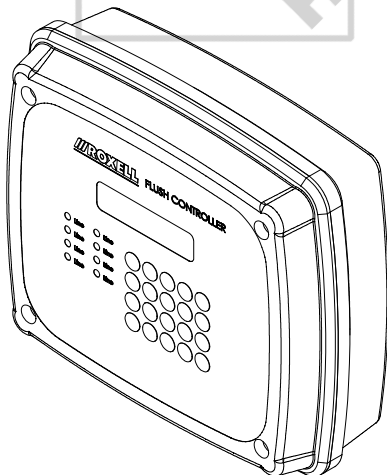


Key	Name	Part Nr.	Qt.
3	SPRING	00400077	1
4	LOCKNUT M6 - DIN 985	20100400	4
5	INSULATOR SUPPORT ASS'Y	12300323	1
6	BOLT M6 X 16 - DIN 933 - 8.8	20100178	4
7	CLAMP PLATE FOR ANCHOR BRACKET	12500484	2
8	DUPLEX CABLE CLAMP ST.ST. - 3MM	00106945	2

MOUNTING KIT SPIN SOFT FOR PROFILE- 02001607



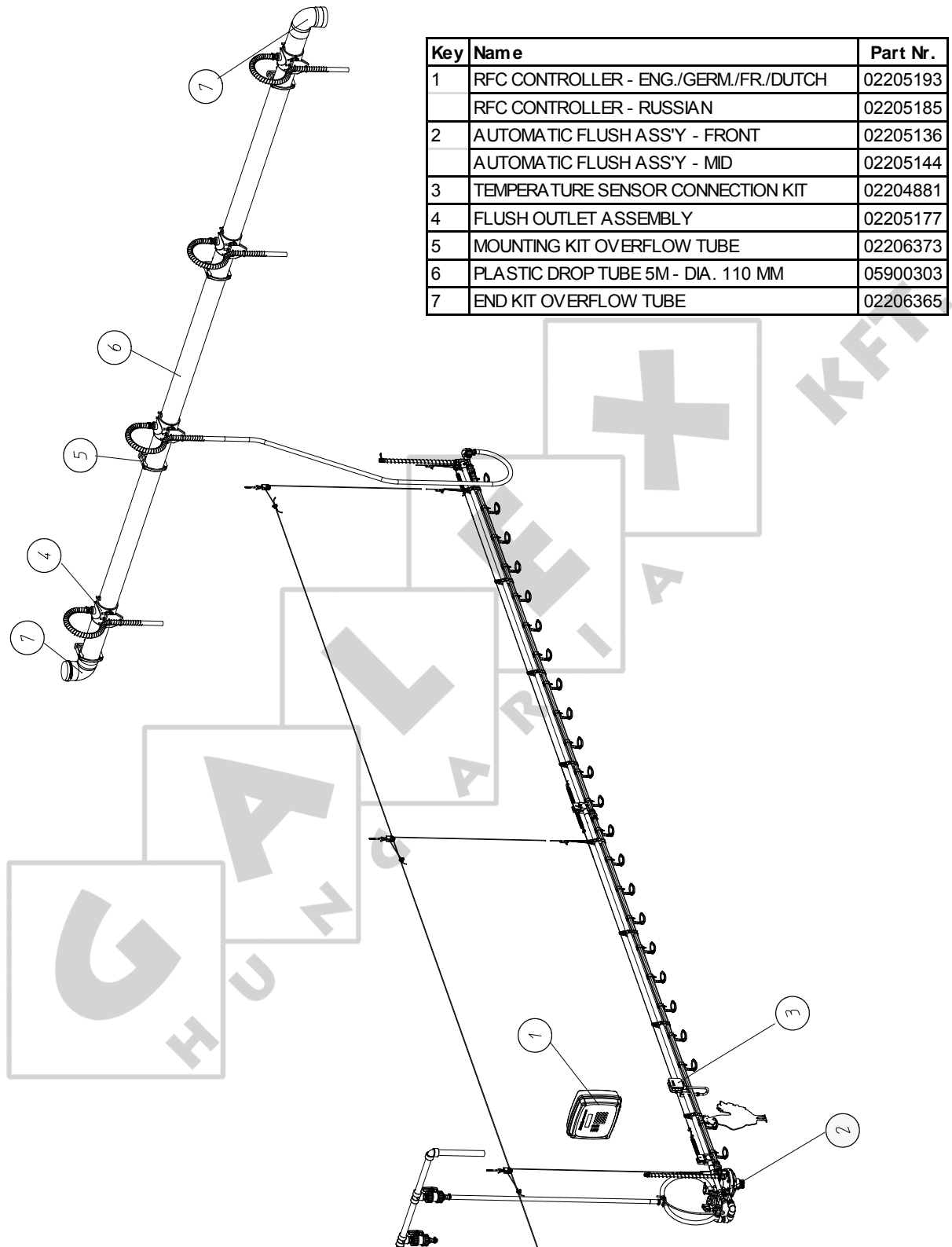
Key	Name	Part Nr.	Qt.
11	INSULATOR SUPPORT ASS'Y	12300323	1
2	BRACKET SUPPORT	12204036	1
3	SPRING	00400077	1
4	LOCKNUT M6 - DIN 985	20100400	2
5	BOLT M6 X 16 - DIN 933 - 8.8	20100178	2
6	DUPLEX CABLE CLAMP ST.ST. - 3MM	00106945	2



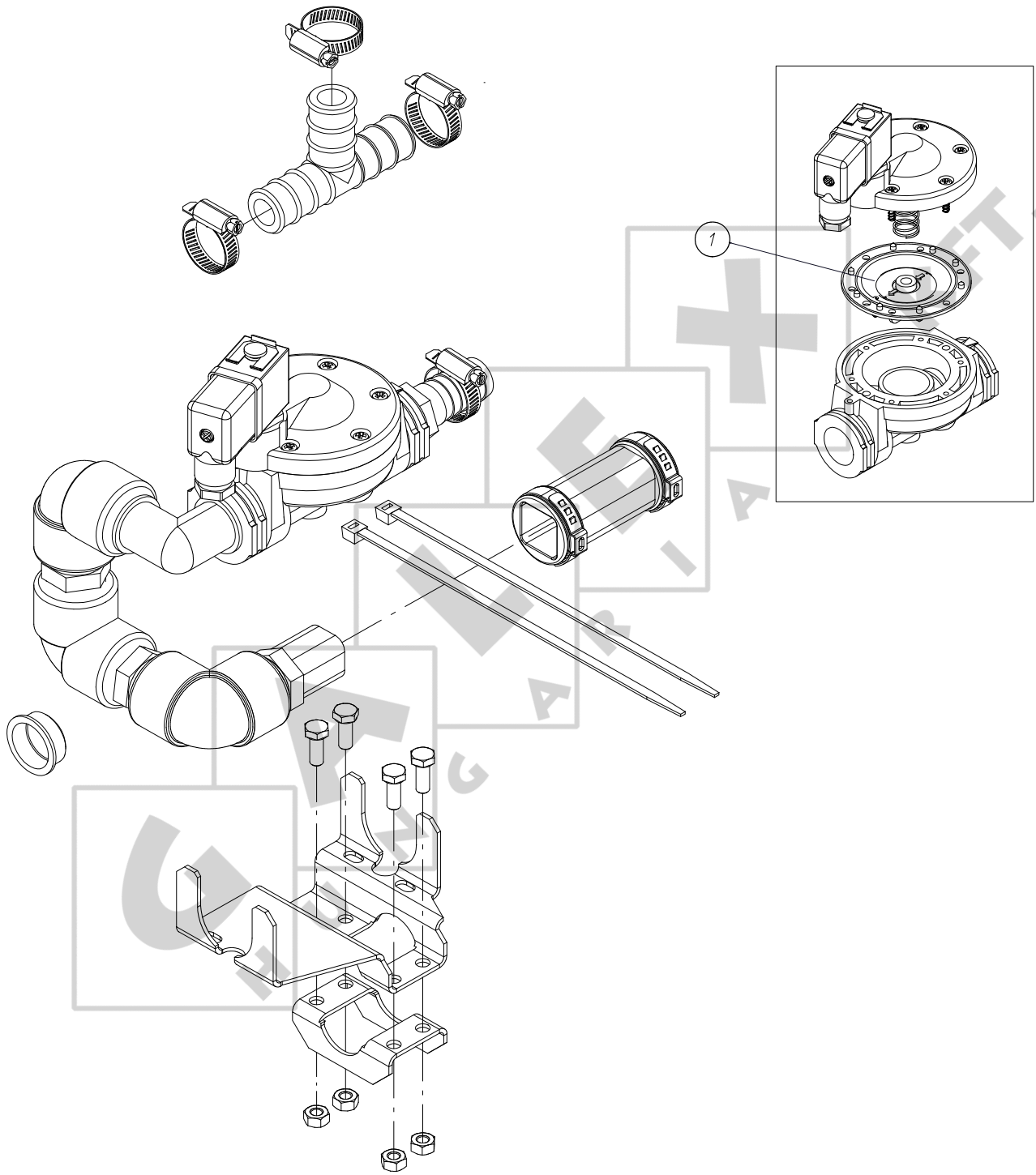
RFC CONTROLLER ENG./GERM./FR./DUTCH - 02205193

RFC CONTROLLER RUSSIAN - 02205185

LAYOUT

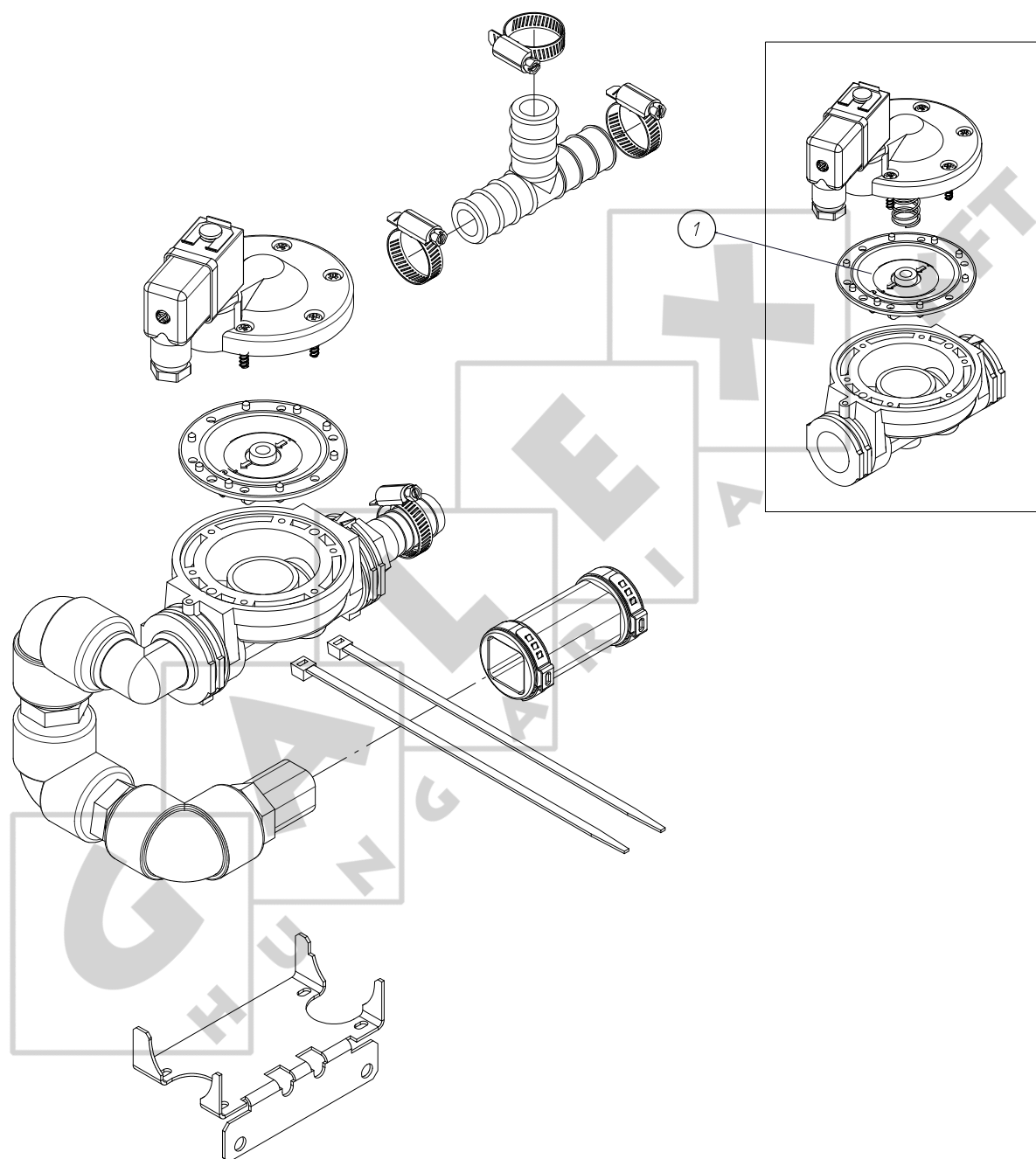


AUTOMATIC FLUSH ASS'Y - FRONT - 02205136



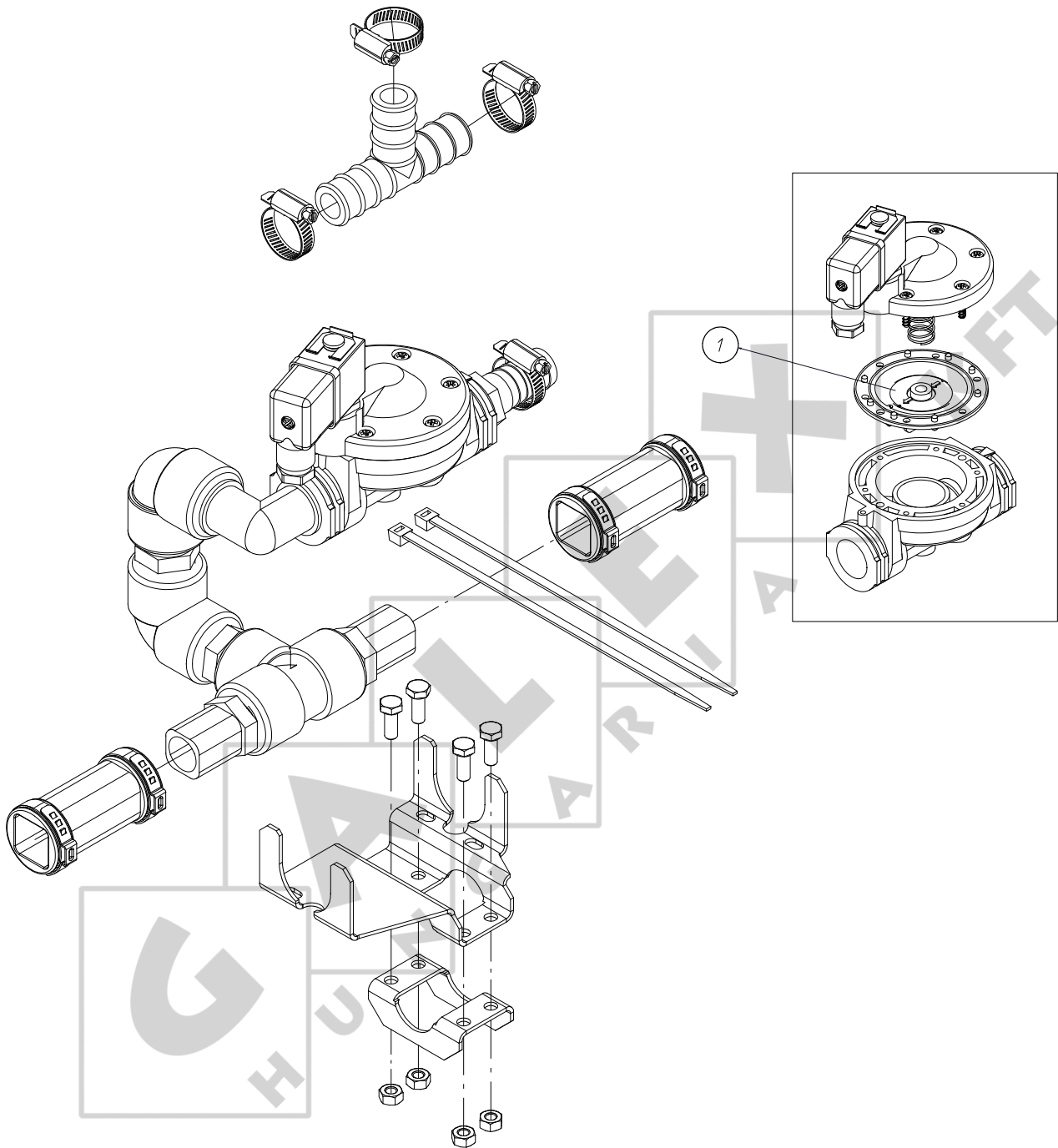
Key	Name	Part Nr.	Qt.
1	MEMBRANE FOR FLUSH VALVE	12203683	1

AUTOMATIC FLUSH ASS'Y- FRONT FOR PROFILE - 02206680

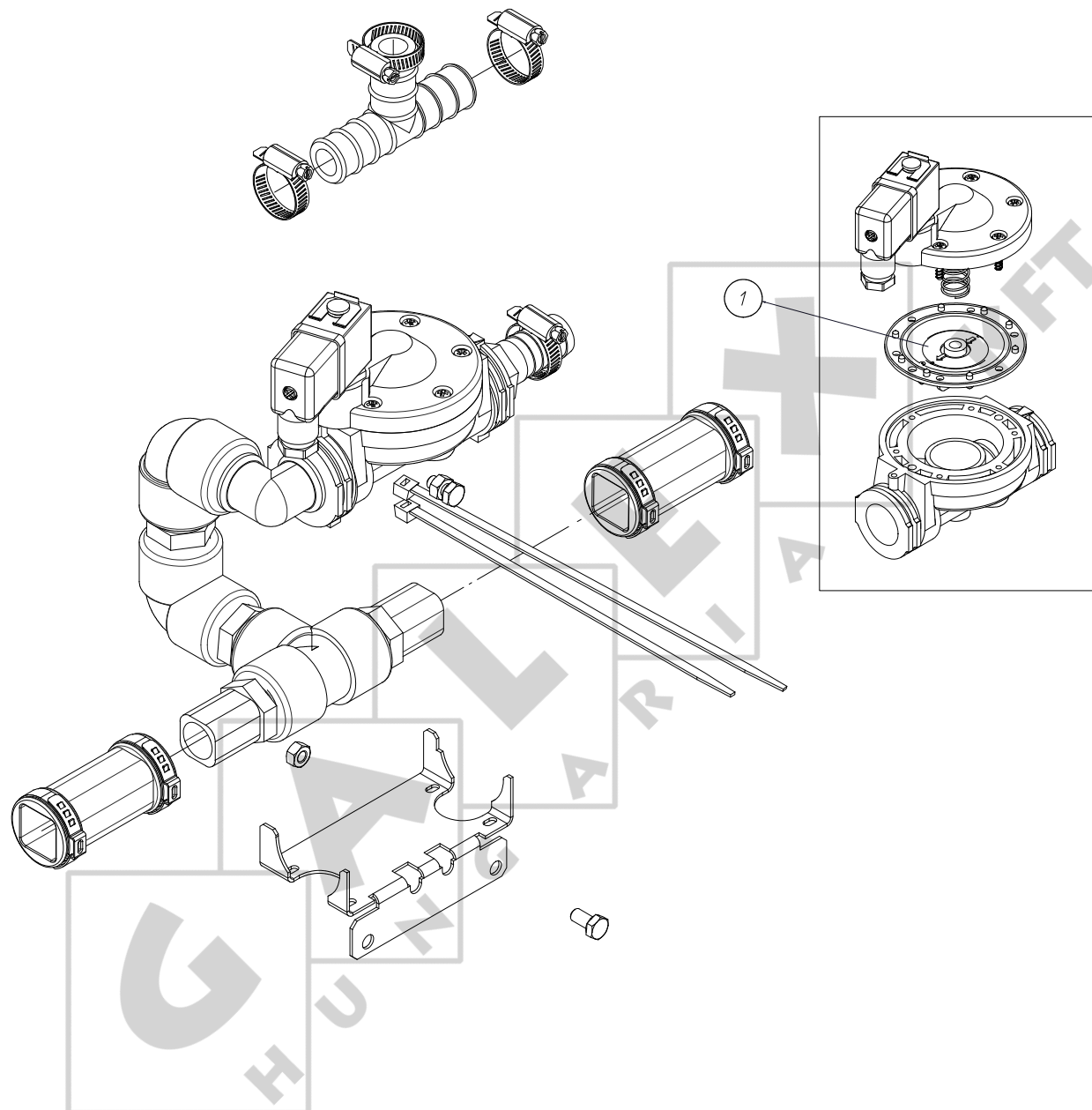


Key	Name	Part Nr.	Qt.
1	MEMBRANE FOR FLUSH VALVE	12203683	1

AUTOMATIC FLUSH ASS'Y - MID LINE- 02205144



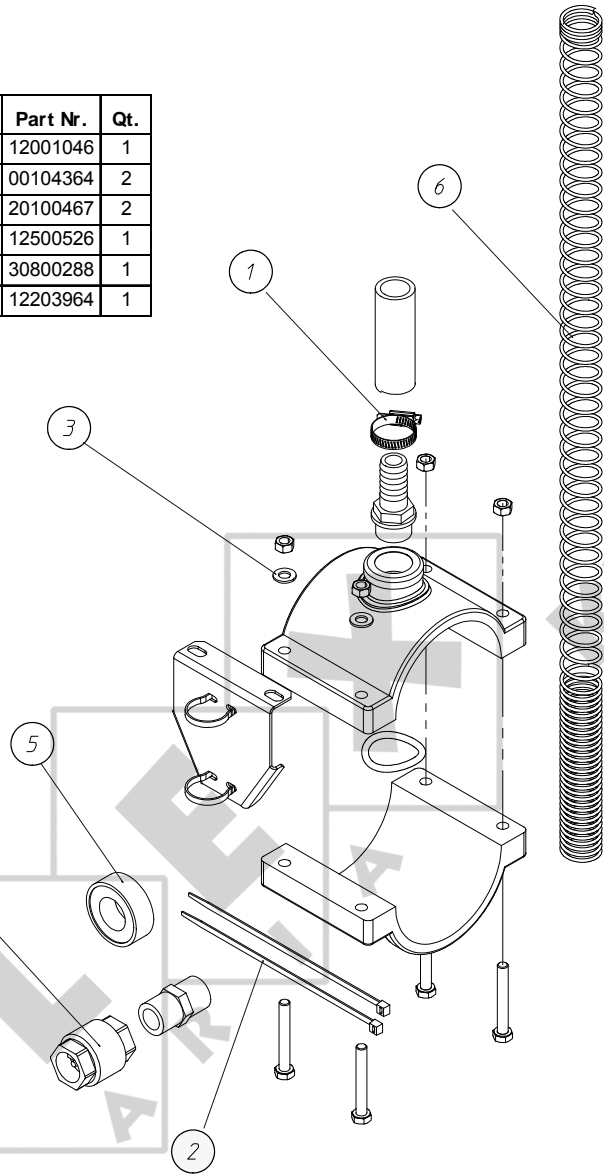
Key	Name	Part Nr.	Qt.
1	MEMBRANE FOR FLUSH VALVE	12203683	1

AUTOMATIC FLUSH ASS'Y - MID FOR PROFILE - 02206688

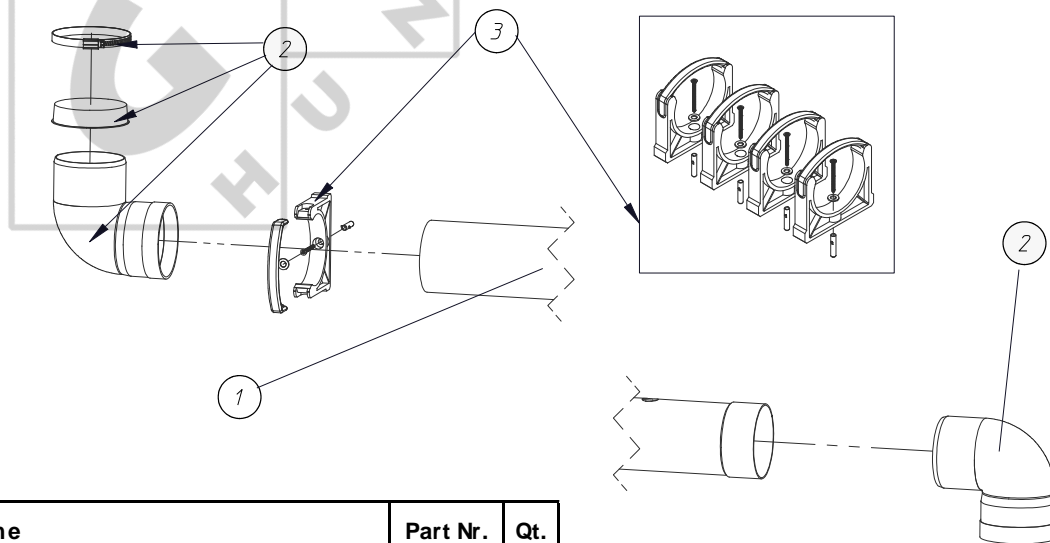
Key	Name	Part Nr.	Qt.
1	MEMBRANE FOR FLUSH VALVE	12203683	1

FLUSH OUTLET ASSEMBLY - 02205177

Key	Name	Part Nr.	Qt.
1	HOSE CLAMP DIA. 20-32	12001046	1
2	CABLE TIE - 300x4.8MM	00104364	2
3	WASHER D.9xD.16x1.6-DIN126	20100467	2
4	NON-RETURN VALVE 3/4"	12500526	1
5	TEFLON SEAL TAPE	30800288	1
6	SPRING FOR TUBE FLUSH OUTLET	12203964	1

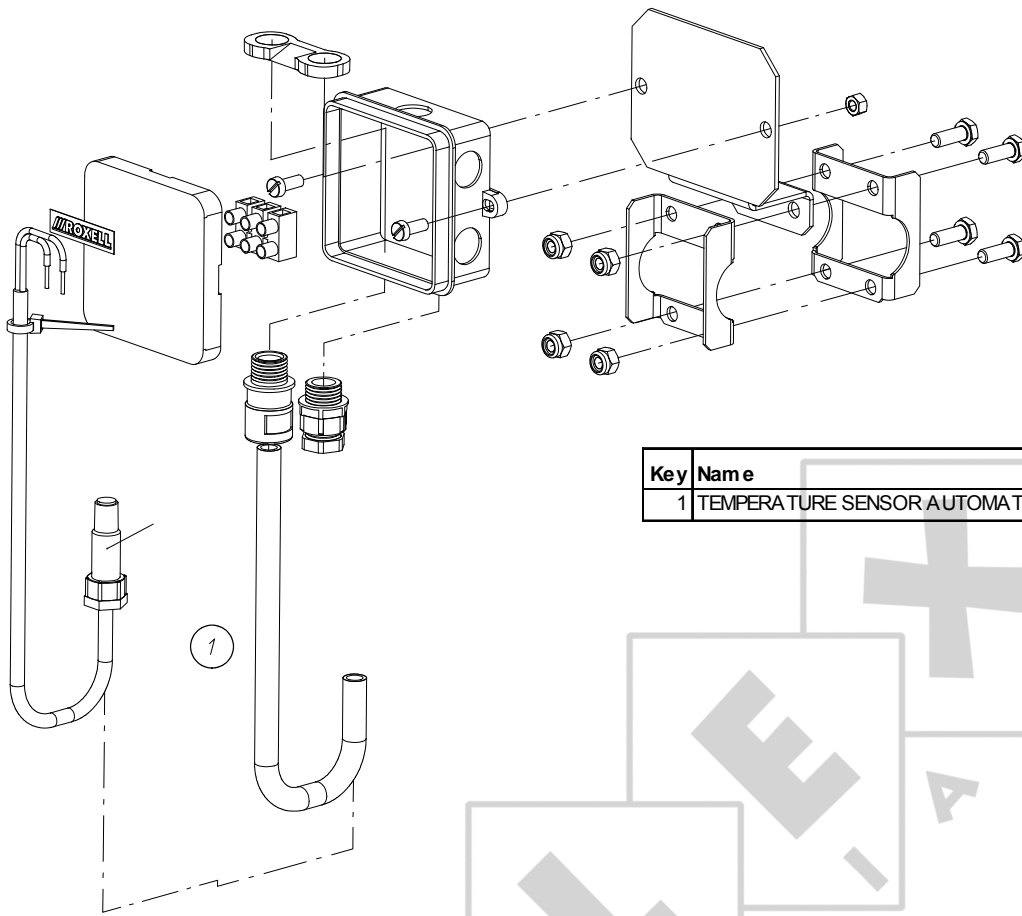


DRAIN TUBE PARTS



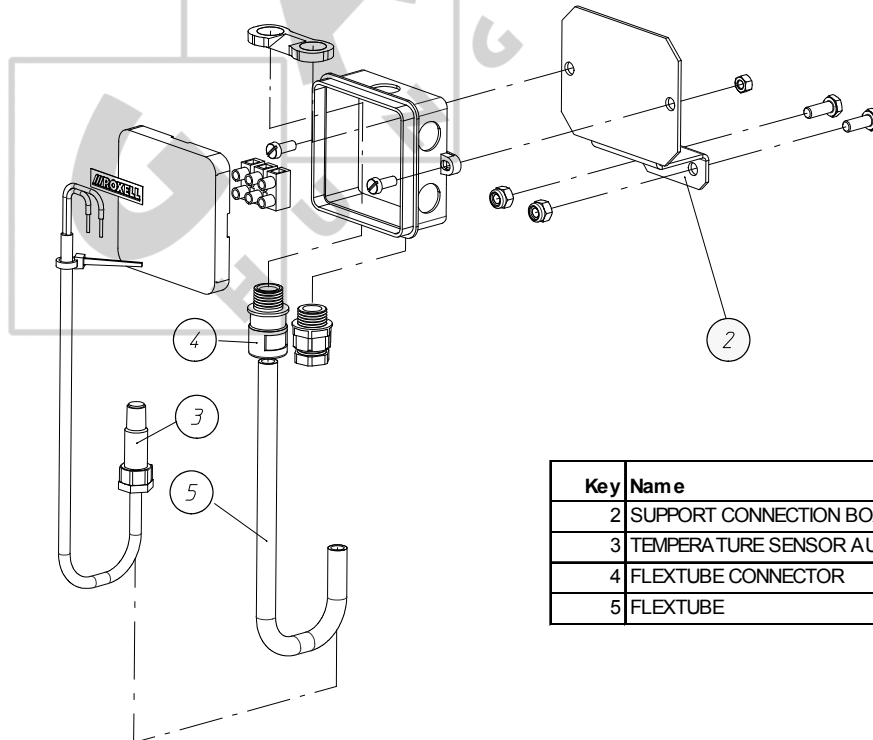
Key	Name	Part Nr.	Qt.
1	PLASTIC DROP TUBE - Ø110MM - 5.0M	03700135	1
2	END KIT OVERFLOW TUBE	02206365	1
3	MOUNTING KIT OVERFLOW TUBE	02206373	1

TEMPERATURE SENSOR CONNECTION KIT - 02204881



Key	Name	Part Nr.	Qt.
1	TEMPERATURE SENSOR AUTOMATIC FLUSH	12203410	1

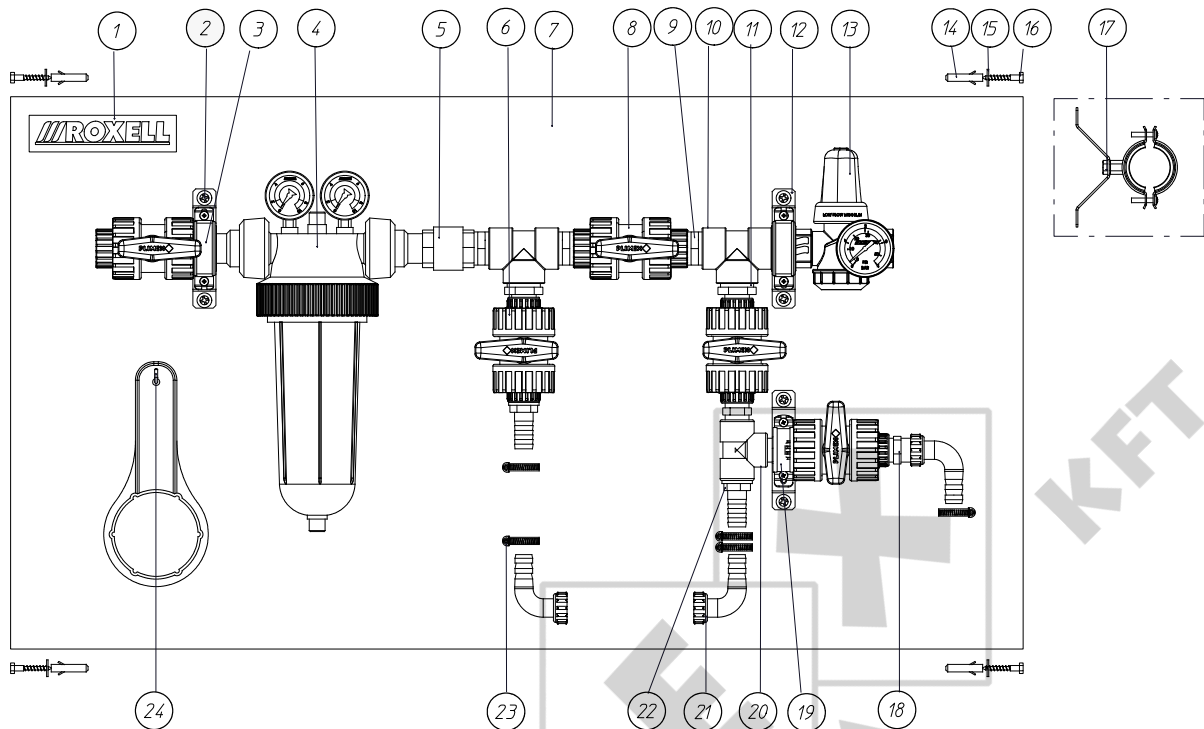
TEMP. SENSOR CONNECTION KIT FOR PROFILE - 02206696



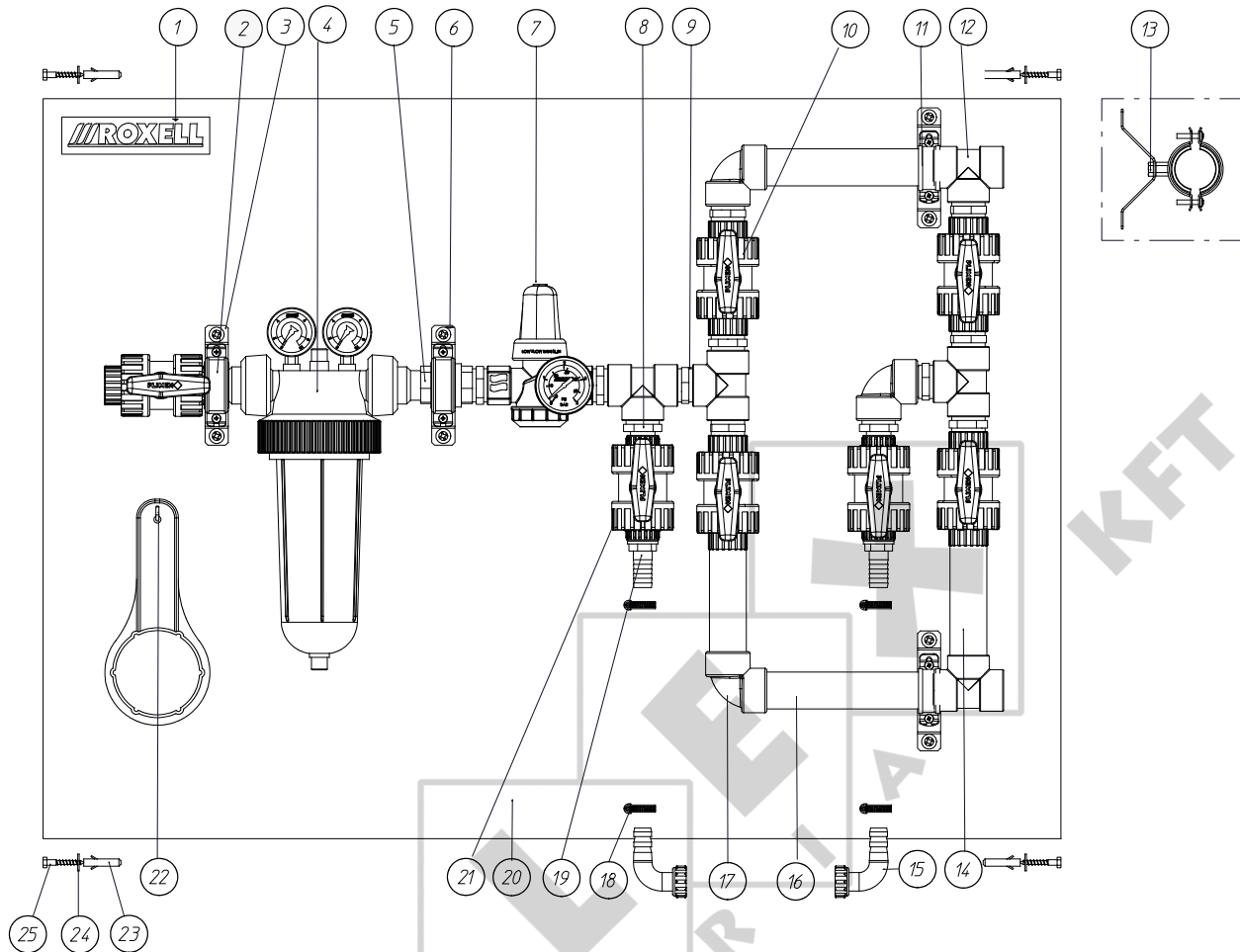
Key	Name	Part Nr.	Qt.
2	SUPPORT CONNECTION BOX	12203428	1
3	TEMPERATURE SENSOR AUTOM.FLUSHING	12203410	1
4	FLEXTUBE CONNECTOR	15009319	1
5	FLEXTUBE	15009327	1

WATER PANEL ASS'Y 100MICRON - STD. 1" - 02001485

WATER PANEL ASS'Y 55MICRON - STD. 1" - 02001559

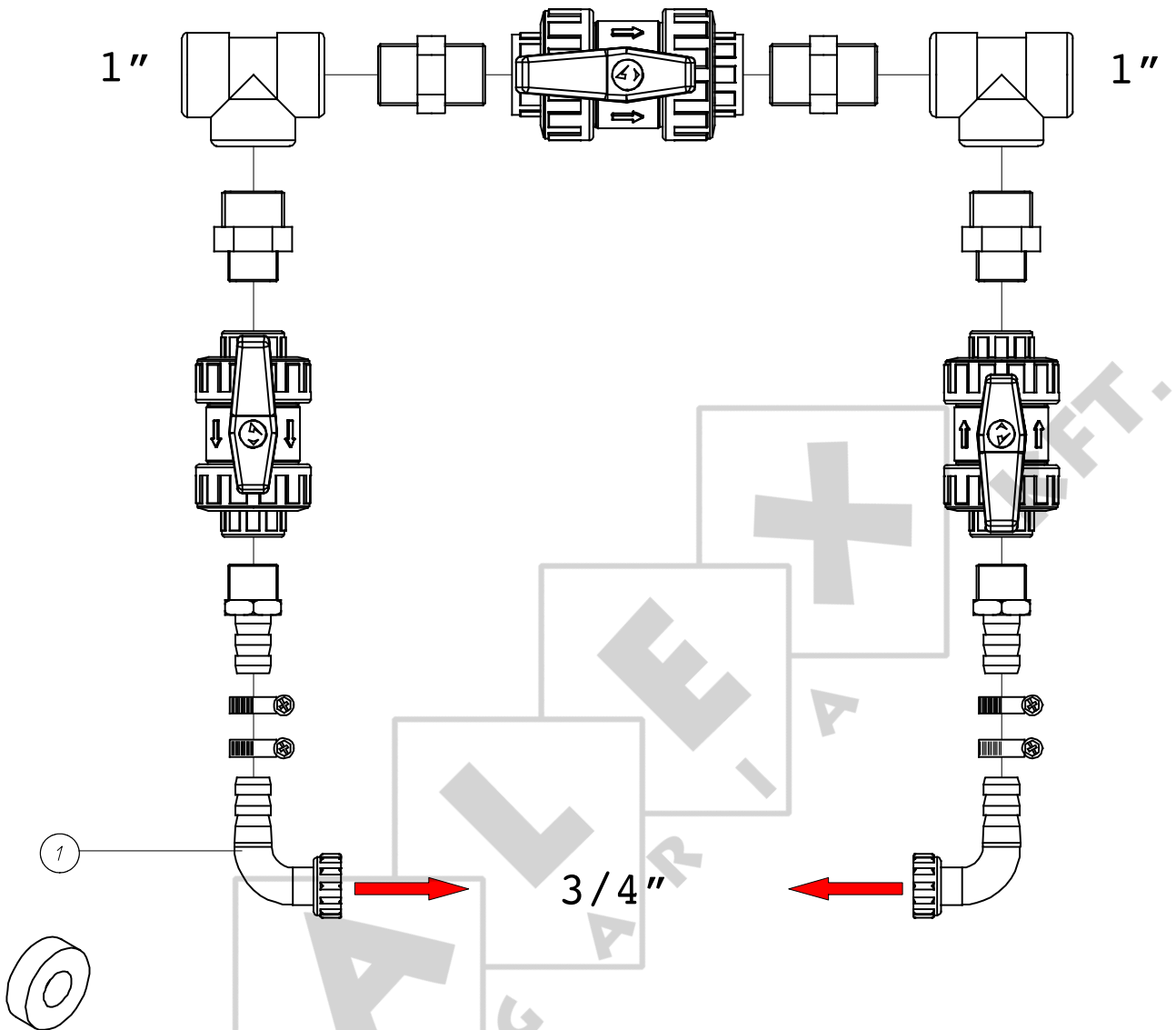


Key	Name	Part Nr.	Qt.
1	ROXELL DECAL	10101129	1
2	SCREW DIA.6.3X16 - PARKER	20101895	6
3	TUBE CLAMP - ø38-45	12500880	2
4	FILTER SET 100µ WITH PRESSURE GAUGES	02001451	1
	FILTER SET 55µ W/PRESSURE GAUGES	02001543	1
6	BALL VALVE PVC G 3/4"	12500153	3
7	MOUNTING PLATE FOR WATERPANEL-SMALL	12500872	1
8	BALL VALVE PVC G 1"	02500528	2
9	DOUBLE NIPPLE 1" OUTSIDE THREAD	12500583	4
10	T-PIECE 1" x 1" x 1"	12500575	2
11	REDUCING PIECE 1"x3/4" (MxM)	12500567	2
12	SUPPORT PLATE FOR WATER PANEL	12500591	3
13	PRESSURE RESTRICTOR 3 BAR 1" WITH GAUGE	02001477	1
14	PLUG DIA. 8 MM - NYLON	20109187	4
15	WASHER 6.4x18x1.5-DIN 9021	20100756	4
16	HEXAG.WOOD SCREW 6X40-DIN 571	20102026	4
17	BOLT M8X16-DIN 933-8.8	20100228	3
18	DOUBLE NIPPLE - 3/4" - PVC	12300315	3
19	TUBE CLAMP ø28-35MM	14204283	1
20	T-PIECE PVC 3/4" INSIDE	12300893	1
21	HOSE CONNECTOR 90° ø19 - 3/4"	12500203	3
22	HOSE CONNECTOR ø19 - 3/4"	12500211	2
23	HOSE CLAMP DIA. 20-32	12001046	5
24	SQUARE HOOK Ø3x40x16MM	20110235	1

PRE ASS. WATER PAN. 100MICRON-1" F/DIV.HOUSES - 02001493**PRE ASS. WATER PAN. 55MICRON-1" F/DIV.HOUSES - 02001567**

Key	Name	Part Nr.	Qt.
1	ROXELL DECAL - 160X40	10101129	1
2	TUBE CLAMP - Ø38-45	12500880	2
3	SUPPORT PLATE FOR WATER PANEL	12500591	4
4	FILTER SET 100µ WITH PRESSURE GAUGES	02001451	1
	FILTER SET 55µ W/PR. GAUGES	02001543	1
6	SCREW Ø6.3X16 - PARKER	20101895	8
7	PRESSURE RESTRICTOR 3 BAR 1" WITH GAUGE	02001477	1
8	REDUCING PIECE 1"X3/4" (MXM)	12500567	2
9	DOUBLE NIPPLE 1" OUTSIDE THREAD	12500583	10
10	BALL VALVE PVC G 1"	02500528	5
11	TUBE CLAMP Ø28-35	14204283	2
12	T-PIECE 1"X1"X1"	12500575	5
13	BOLT M8X16 - DIN 933-8.8	20100228	4
14	PVC TUBE LG=150 W/ G1"(2X)	12500849	2
15	HOSE CONNECTOR 90° Ø19 - 3/4"	12500203	2
16	PVC TUBE L=250 W/ G1"(2X)	12500831	2
17	ELBOW 90°X1"	12500815	3
18	HOSE CLAMP Ø20-32MM	12001046	4
19	HOSE CONNECTOR Ø19 - 3/4"	12500211	2
20	MOUNTING PLATE FOR WATERPANEL-LARGE	12500856	1
21	BALL VALVE PVC G 3/4"	12500153	2
22	SQUARE HOOK Ø3X40X16	20110235	1
23	PLUG Ø8MM - NYLON	20109187	4
24	HEXAG.WOOD SCREW 6X40-DIN 571	20102026	4
25	WASHER 6.4X18X1.5 - DIN 9021	20100756	4

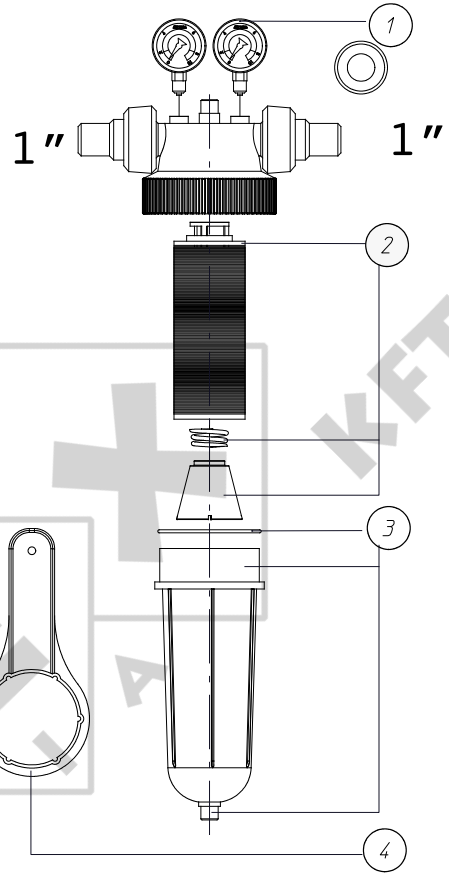
PVC BYPASS SET - 02500379



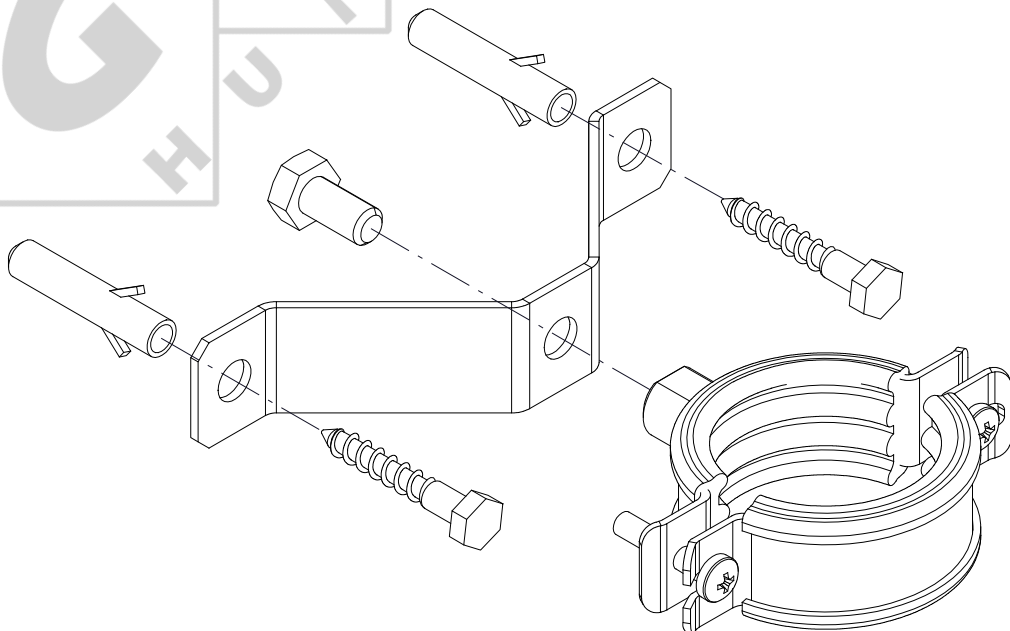
Key	Name	Part Nr.	Qt.
1	HOSE CONNECTOR 90° Ø19 - 3/4"	12500203	2

FILTER SET 100 MICRON W/PR. GAUGES - 02001451*
FILTER SET 55 MICRON W/PR. GAUGES - 02001543*
FILTER SET 100 MICRON-PR.GAUGES 1BAR - 02206544**
FILTER SET 55 MICRON-PR.GAUGES 1BAR - 02206552**

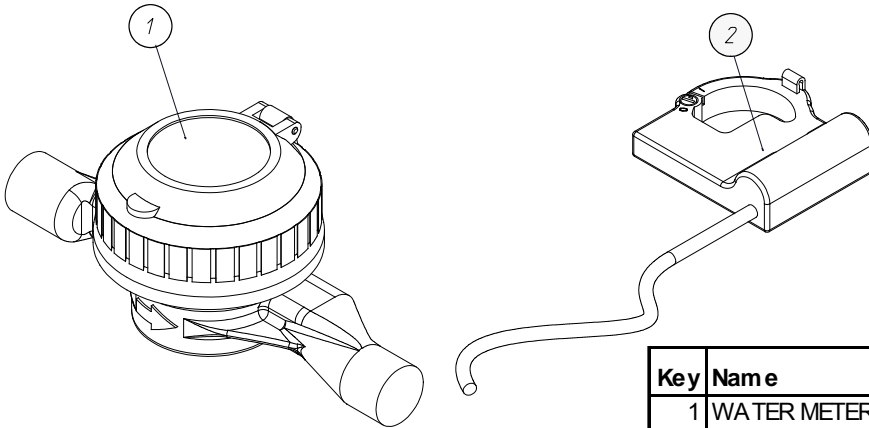
Key	Name	Part Nr.	Qt.
*1	PRESSURE GAUGE - HIGH PRESSURE	12000253	1
**1	PRESSURE GAUGE - 0-1BAR	12204004	1
2	DISC FILTER KIT 100µ	02001469	1
	DISC FILTER KIT 55µ	02001551	1
3	TRANSP. FILTERHOUSE	02001535	1
4	KEY - FILTER SET	12300166	1



MOUNTING KIT FOR WATER PANEL 1" - 02500353

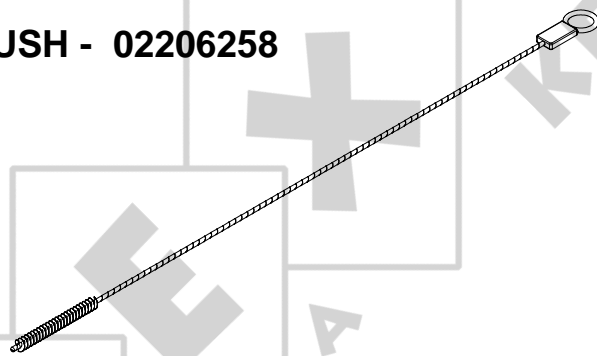


OPTION: WATER METER 1" - 4M³/HOUR



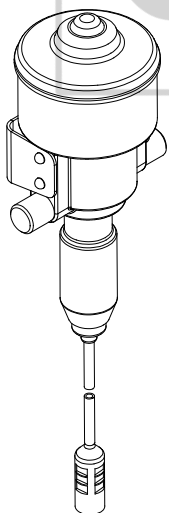
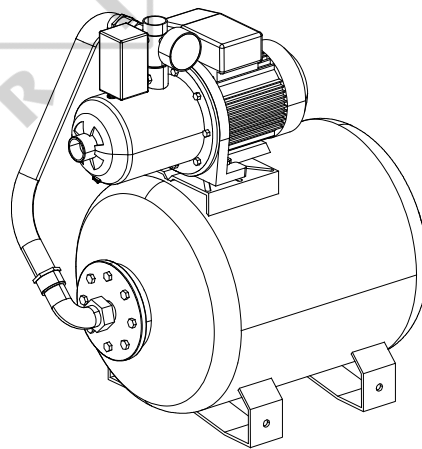
Key	Name	Part Nr.	Qt.
1	WATER METER 1" - 4M ³ /HOUR	02001591	1
2	IMPULSE SENDER 1L	02001599	1

CLEANING BRUSH - 02206258



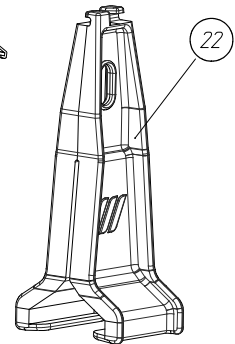
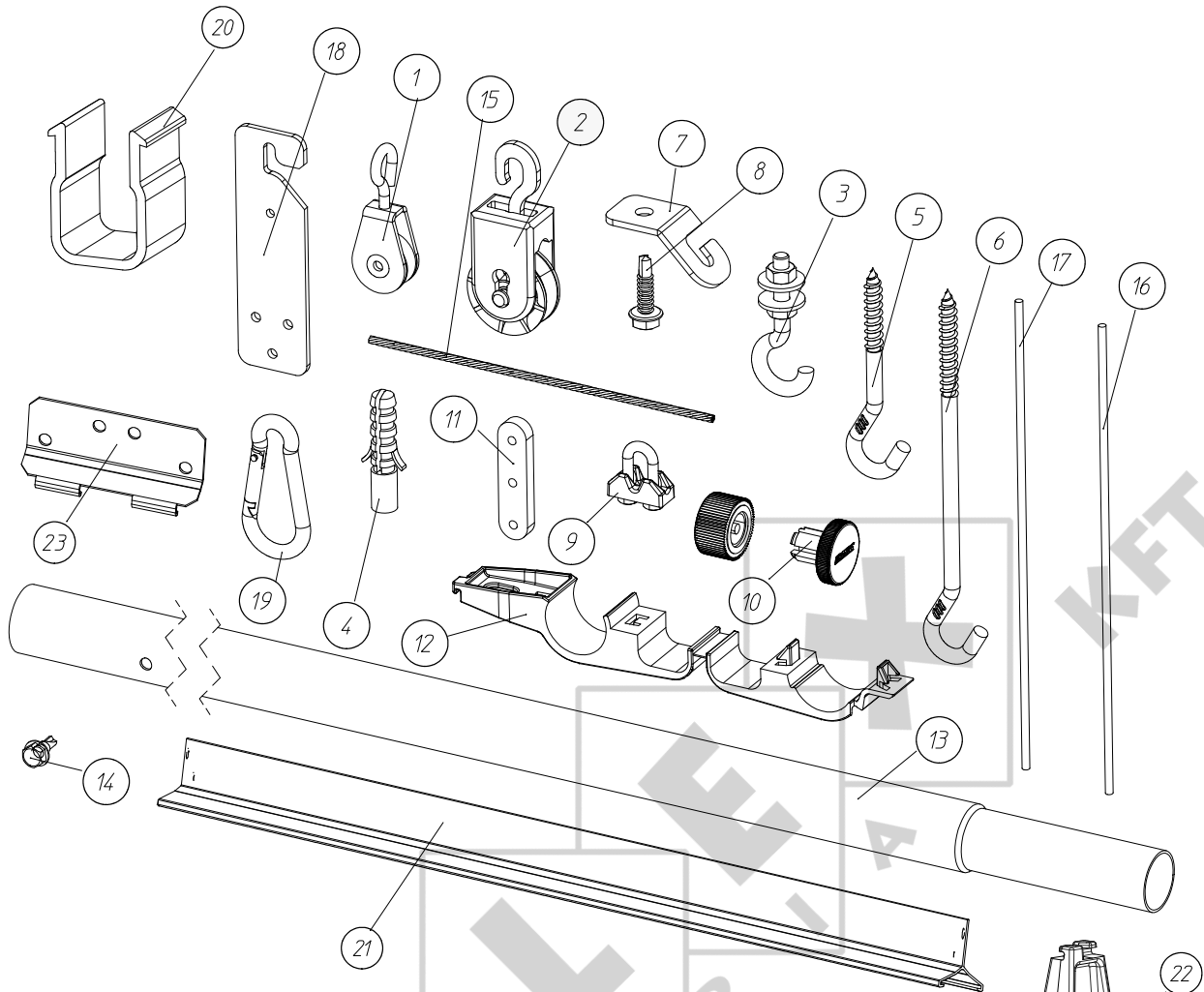
**PUMP 80L/MIN.W/VESS.60L
-230V-50HZ - 02501716**

**PUMP 80L/MIN.W/VESS.60L
-230V-60HZ - 02501724**



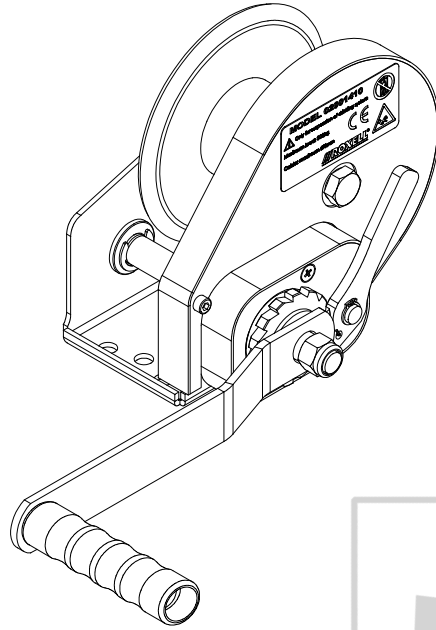
LIQUID DISPENSER D25RE2Z - 02501062

SUSPENSION COMPONENTS

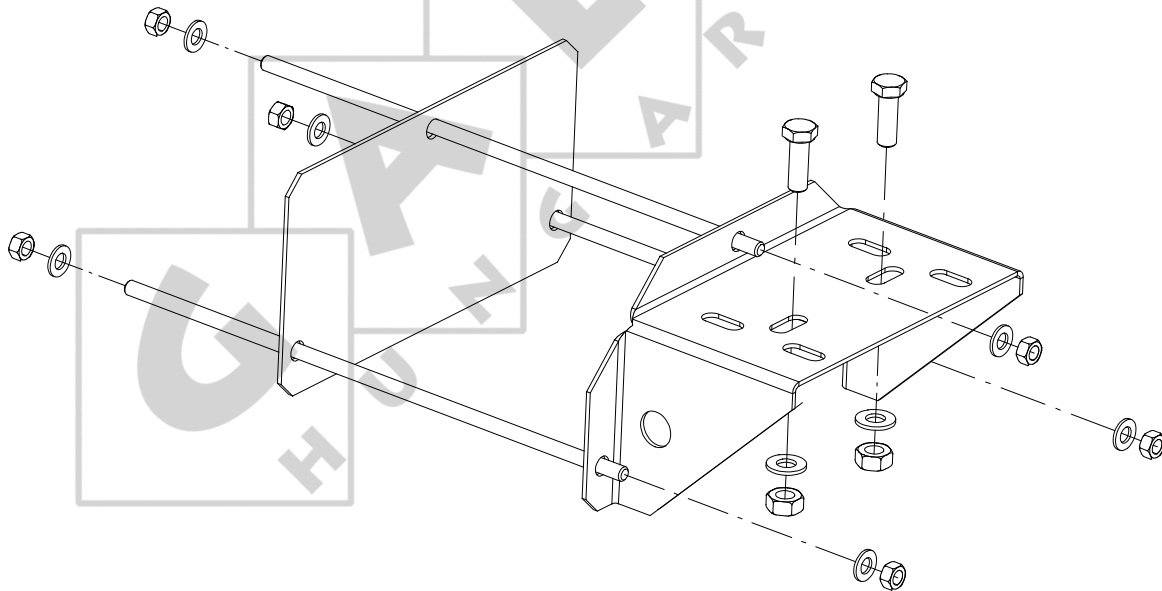


Key	Name	Part Nr.
1	SMALL METAL PULLEY	00102335
2	SMALL PULLEY WITH STAINLESS STEEL HOOK	00104349
3	SUSPENSION HOOK M6x60	05000302
4	PLUG DIA. 10 MM - NYLON	20102034
5	SCREW HOOK 90 MM	05000872
6	SCREW HOOK 160 MM	05000237
7	SUSPENSION PLATE	00103069
8	SELF DRILLING SCREW 6.3 X 25	00103077
9	CABLE CLAMP NO. 5	00100545
10	SUSPENSION SCREW - GREY	02201887
11	THREE HOLE STRING ADJUSTER	02203321
12	HANGER FOR ROUND TUBE	02203362
13	SUSPENSION TUBE 3/4" LG=3080MM	02203263
14	SELF DRILLING SCREW 4.8 X 13	20103974
15	GALV. STEEL CABLE Ø 3MM - 3000M	00106879
	GALV. STEEL CABLE Ø 3MM - 500M	00106871
	GALV. STEEL CABLE Ø 3MM - 250M	00106863
16	CABLE 3/32" - Ø2.5 MM - 250M	00106887
	CABLE 3/32" - Ø2.5 MM - 500M	00106895
17	ROPE - Ø3 - POLYPROP - 250M	02001583
18	ADJUSTMENT LEVELER	00602060
19	SNAP HOOK 6x60 DIN5299-C	05000955
*20	HOLDER GREY	12201794
*21	ALUMINIUM PROFILE 3M	02206576
*22	HANGER FOR PROFILE	02206648
*23	METAL COUPLING FOR ALUMINIUM PROFILE	02206704
*	OPTION	

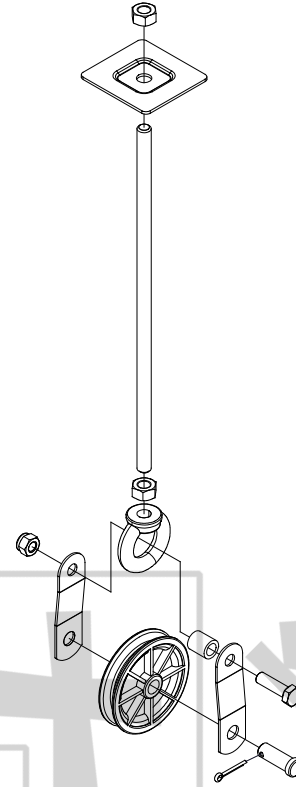
HAND WINCH - 02001410



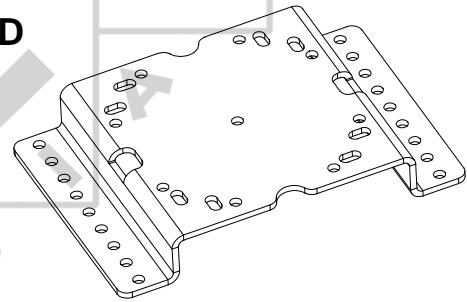
HAND WINCH BRACKET ASS'Y - 02000792



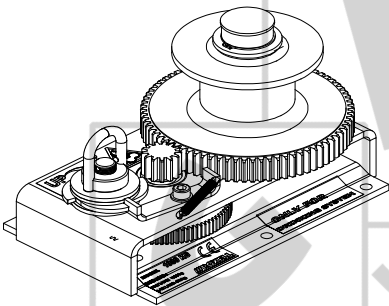
HEAVY DUTY PULLEY - 00100412



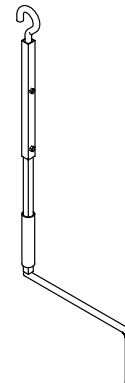
**MOUNTING PLATE FOR HAND OPERATED
CENTRAL WINCH
- 02001188**



**CENTRAL WINCH - DRINKING LINES
- 02001147**

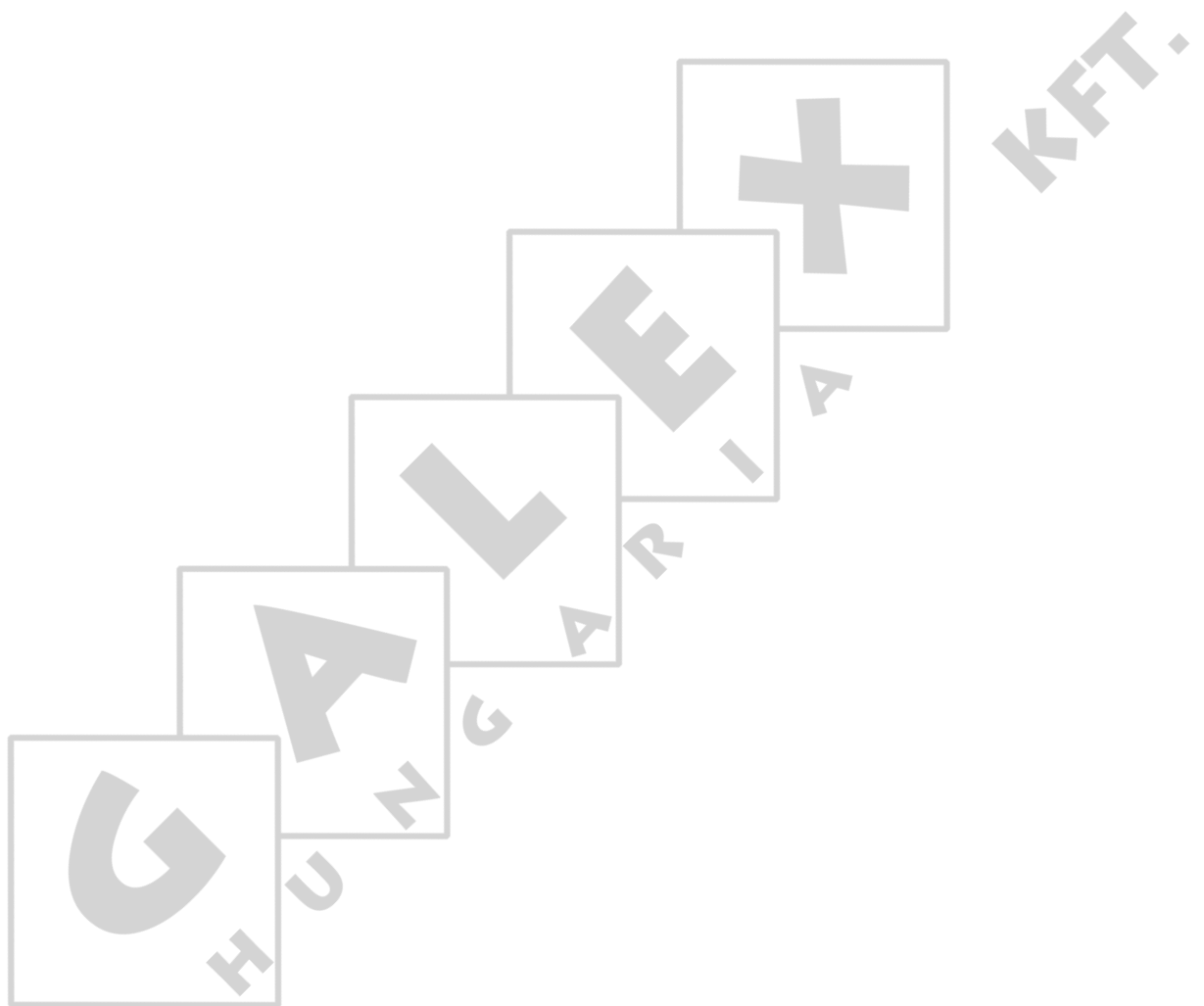


TELESCOPICAL WINCH DRIVE TUBE - 00102962



PART III

INSTALLATION INSTRUCTIONS



G
H

A
U

L
N

E
R

A
+

KET.

HAND WINCH GENERAL SAFETY RULES

Handlier voor drinklijnen voor pluimvee
Hand winch for drinking lines for poultry



DANGER

IMPORTANT

Carefully read the following instructions before you **INSTALL** the system

1. **PAY ATTENTION** when **WINCHING UP** or **WINCHING DOWN** the drinking lines.
 - **STOP** the handling in case of any malfunctioning.
 - **NEVER** stand **UNDERNEATH** the load when winching up or putting down the drinking lines.
2. **NEVER ALLOW UNAUTHORIZED PERSONS ENTER** the house during your absence.
3. **ALWAYS** choose a location which stands the maximum lifting capacity of the hand winch.
4. **Only** use the hand winch for suspension of a **ROXELL drinking line**.
5. Put the hand winch
 - in a location where there's **less passage**.
 - so that the user **doesn't stand underneath the load** while handling.
 - so that the user **sees the load** while handling.
 - at a **well-lit, dry, roofed and good accessible** place.
 - on a **solid** wall.
 - so that the **handle can be easily used**.
 - so that the **warning marking is ALWAYS visible**.
6. Only use the **supplied mounting kit** for fixing on the wall.
7. **ALWAYS** check the condition of the hand winch and the cable before operating.
A **ravelled, kinked or damaged cable** must be replaced **IMMEDIATELY**.
A **loose or damaged hand winch** must be replaced **IMMEDIATELY**.
8. **Don't use water** to clean the hand winch.

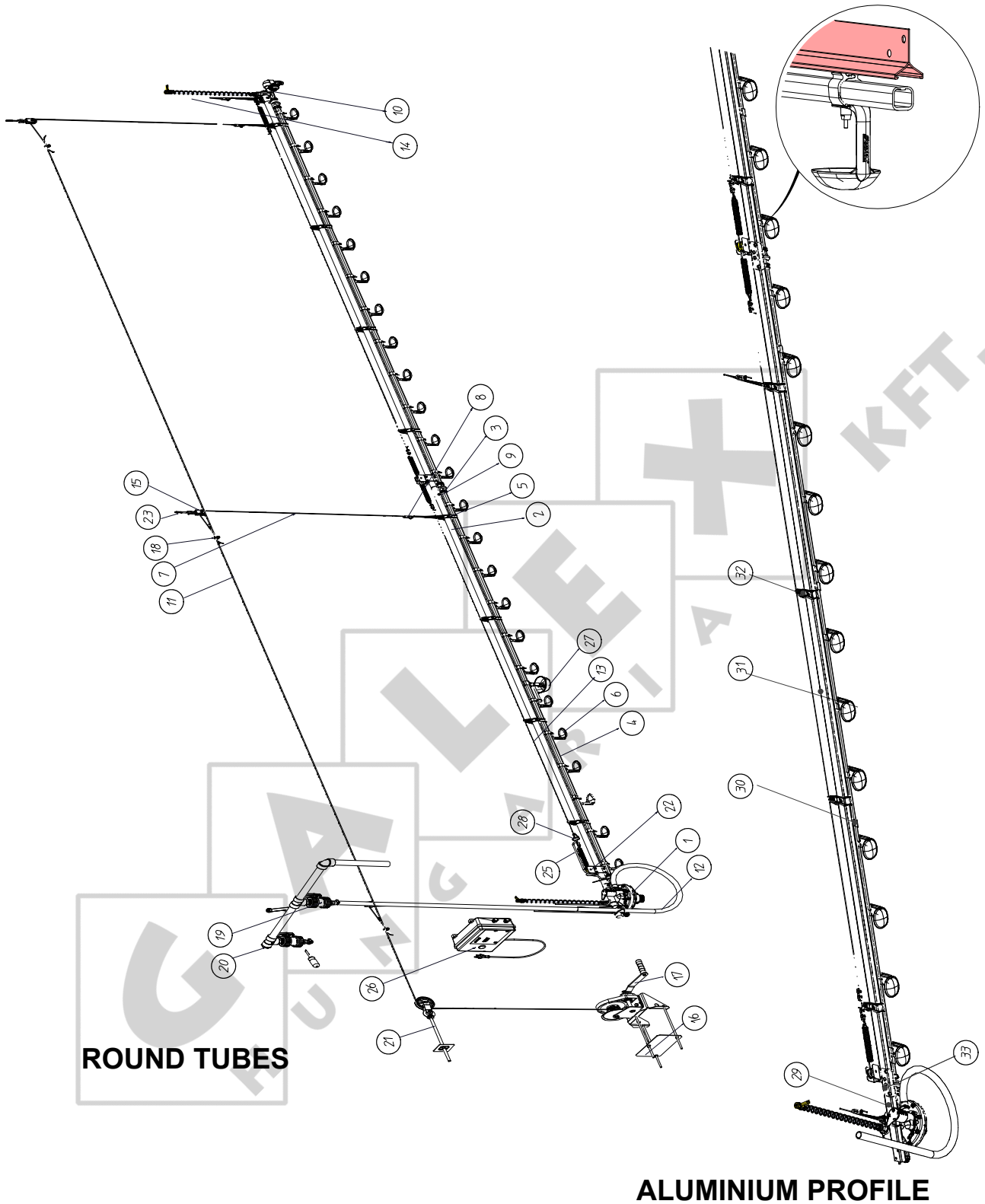


FORBIDDEN: NEVER use the hand winch to lift persons.



DANGER: Getting jammed by the handle may cause **SERIOUS INJURIES**.

GENERAL VIEW SWII'FLO



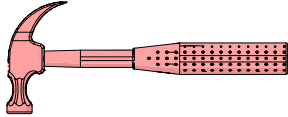
PRODUCT NUMBERS SWII'FLO

Key	Name	Part Nr.
1	PRESSURE REGULATOR LOW PRESSURE	02204873
2	SUSPENSION TUBE 3/4" LG=3080MM	02203263
3	EXPANSION CONNECTOR WITH CLIP	12201836
4	TUBE WITH NIPPLES	see table
5	HANGER FOR ROUND TUBE	02203362
6	SMALL DRIP CUP	02204857
	BIG DRIP CUP	02204865
7	ROPE - Ø3 - POLYPROP - 250M	02001583
8	THREE HOLE STRING ADJUSTER	02203321
	SUSPENSION SCREW - GREY	02201887
9	SELF DRILLING SCREW 4.8 X 13	20103974
10	END UNIT LOW PRESSURE	02204899
11	CABLE ø 3MM	02001154
12	WATER HOSE DIA. 3/4" - 50M	02001575
13	CABLE 1/16" - 1.5 MM - 250M	00106839
	CABLE 1/16" - 1.5 MM - 500M	00106831
14	BREATHER UNIT 450MM	02205128
15	SMALL PULLEY WITH STAINLESS STEEL HOOK	00104349
	SMALL METAL PULLEY	00102335
16	HAND WINCH BRACKET ASS'Y	02000792
17	HAND WINCH	02001410
18	CABLE CLAMP NO. 5	00100545
19	PVC LINE OUTLET	02500361
20	PVC STOP 1"	02500536
21	HEAVY DUTY PULLEY (METAL)	00702571
22	POULTRY PERCH GUARD KIT	02001428
23	SCREW HOOK 90 MM	05000872
	SCREW HOOK 160 MM	05000237
25	CABLE F. PERCH GUARD - 50M	00106847
	CABLE F. PERCH GUARD - 100M	00106855
26	POULTRY PERCH GUARD	00105692
27	START CUP FOR METAL VALVE	02201911
28	DUPLEX CABLE CLAMP ST.ST. - 3MM	00106945
29	PRESS. REGULATOR LOW PRESSURE F/PROFILE	02206656
30	HOLDER GREY	12201794
31	ALUMINIUM PROFILE 3M	02206576
32	HANGER FOR PROFILE	02206648
33	METAL COUPLING FOR ALUMINIUM PROFILE	02206704

TOOLS



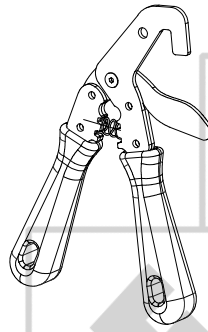
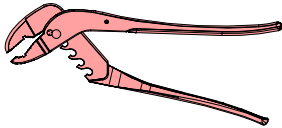
09700097



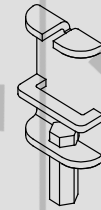
Ø6.5 Ø7, Ø9



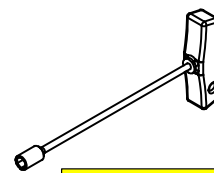
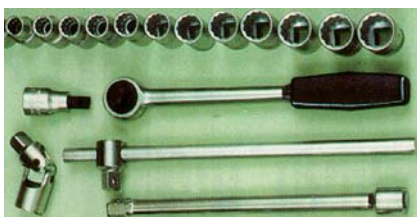
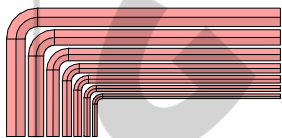
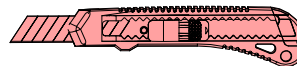
09701467



02206274



02206274



19700236

FLOOR SLOPE

General			Breeder's		
Length drinking line	slope angle	Figure	Length drinking line	slope angle	Figure
0 tot 75m	< 15cm	1	0 tot 60m	< 15cm	1
0 tot 75m	> 15cm	3	0 tot 60m	> 15cm	3
> 75m	< 15cm	2	> 60m	< 15cm	2
> 75m	> 15cm	4	> 60m	> 15cm	4

For diameters refer to PART 1, 2.4. DIAMETER OF SUPPLYING TUBES.
 MAXIMUM 1 slope regulator / 50M: if not possible, see Fig.4.
 MAXIMUM 2 slope regulators / pressure regulator : if not possible, see fig.4.

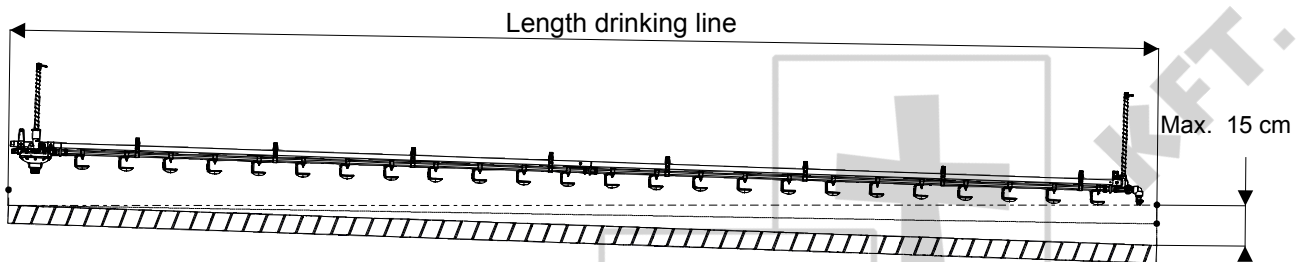


FIGURE 1.

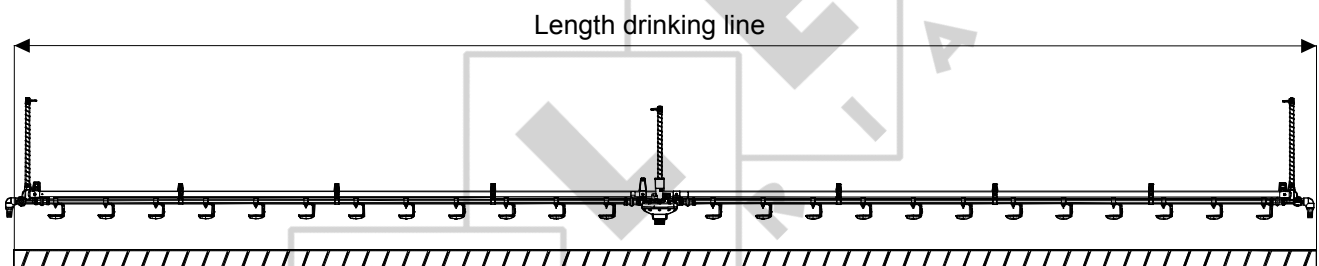


FIGURE 2.

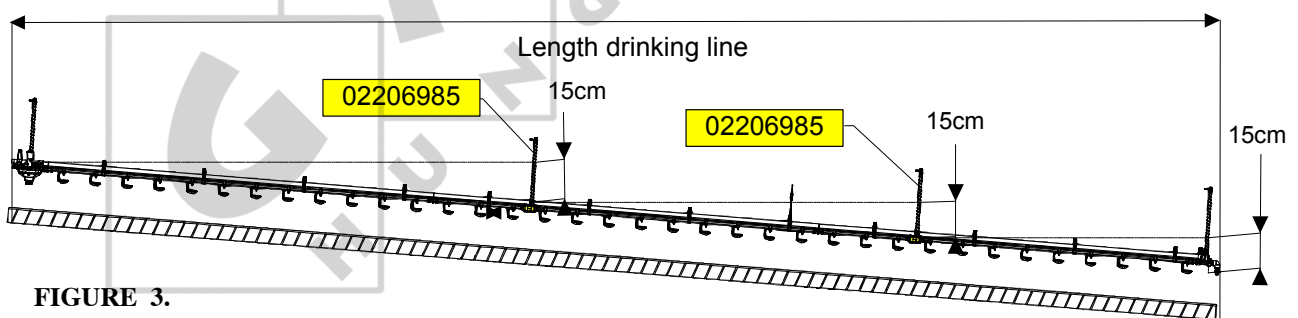


FIGURE 3.

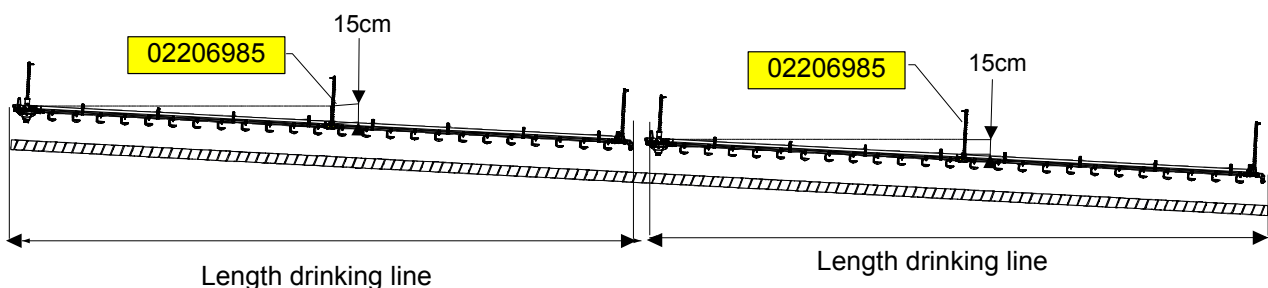


FIGURE 4.

WATERPANEL - GENERAL VIEW

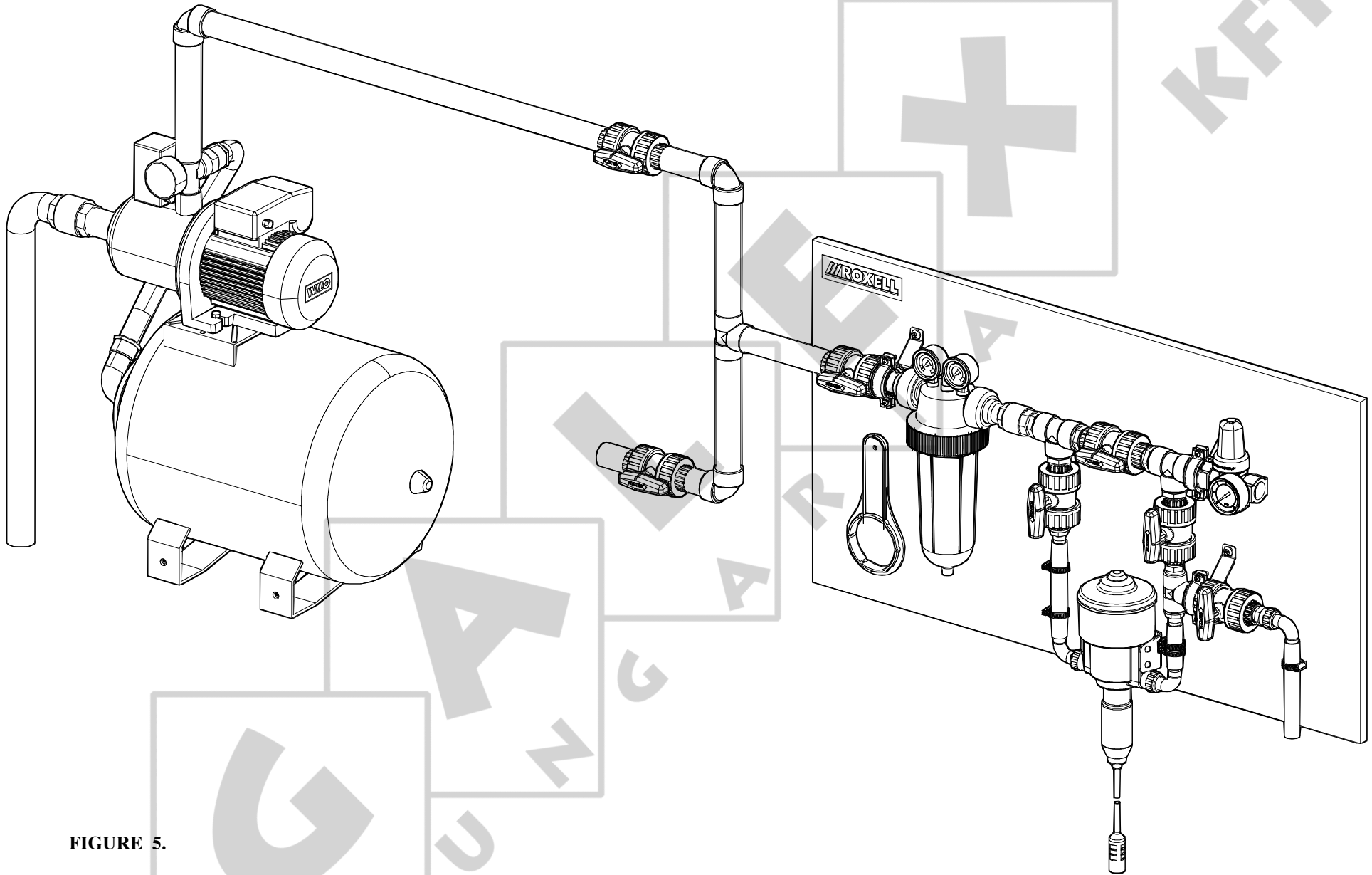
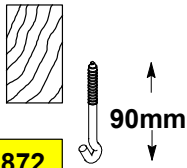


FIGURE 5.

TO INSTALL THE SUSPENSION POINTS

SUSPENSION COMPONENTS

IN A WOODEN BEAM :



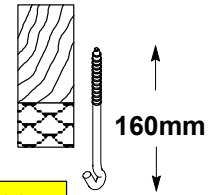
05000872

FIGURE 6.

WOOD : + INSULATION

Drill a small hole in HARD WOOD.
This will prevent screw hooks from breaking off.

Use a drilling machine with our special driver for-screw hooks.



05000237

FIGURE 7.

IN A CONCRETE BEAM :



Drill a hole dia. 10mm



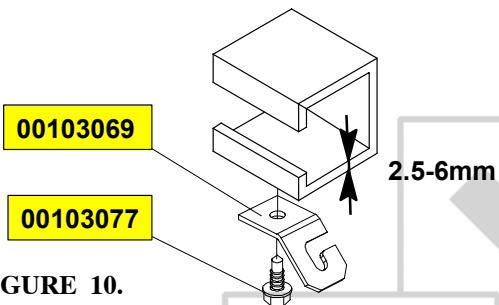
20102034

05000872

90mm

FIGURE 8.

IN A METAL GIRDER :



00103069

00103077

2.5-6mm

FIGURE 10.

IN METAL I GIRDER

05000302

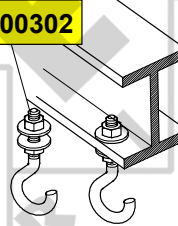
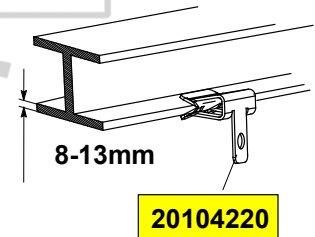


FIGURE 9.



8-13mm

20104220

OVERVIEW SUSPENSION DRINKING LINES - FRONT HAND WINCH

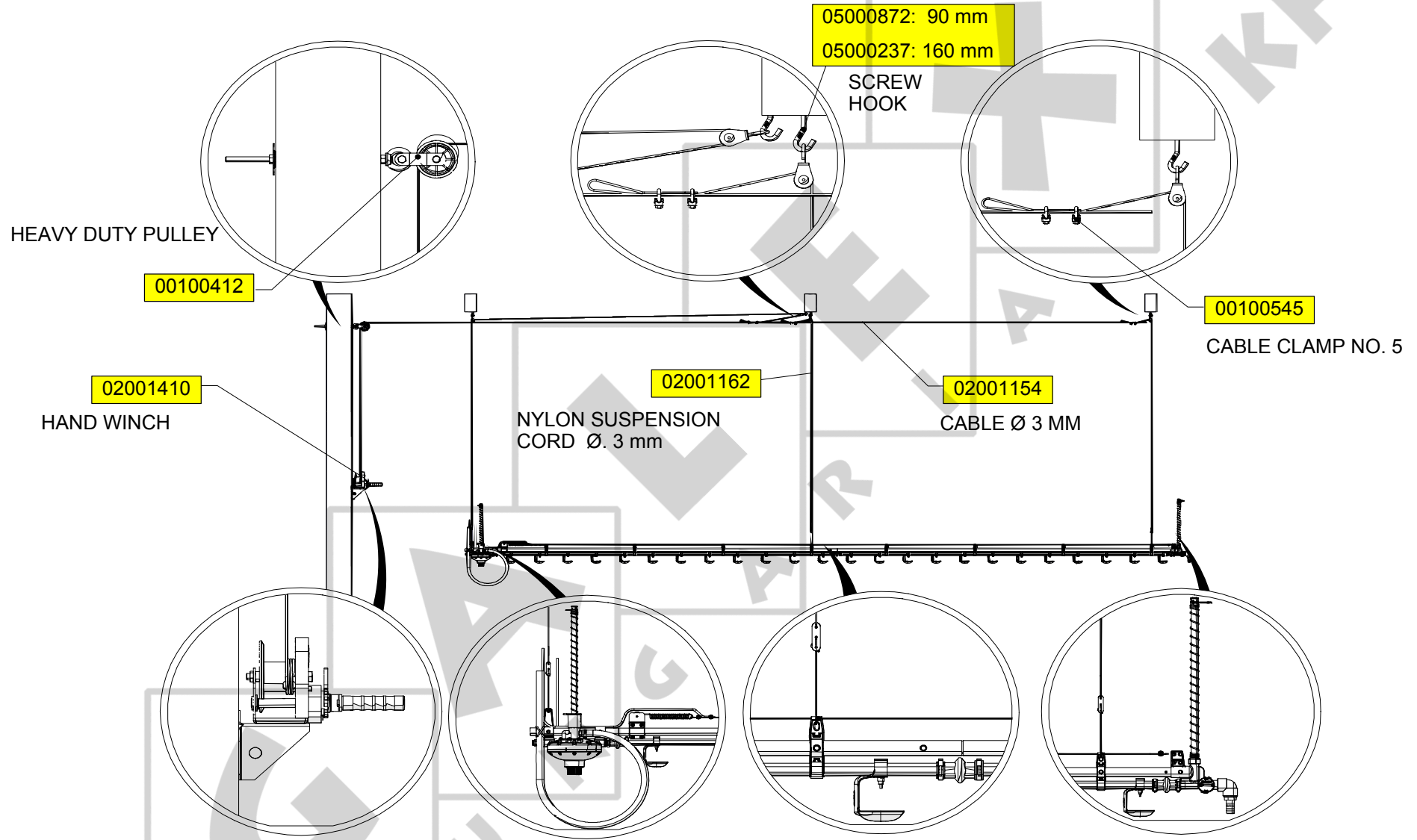


FIGURE 11.

TO PREPARE THE ASSEMBLY OF THE HAND WINCH

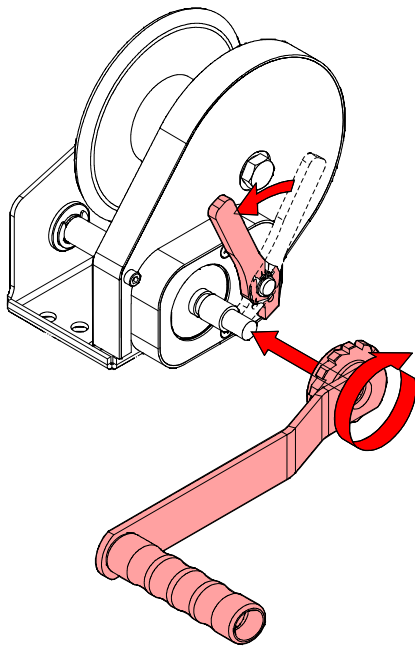


FIGURE 12.

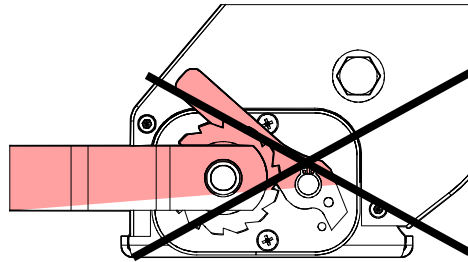


FIGURE 13.

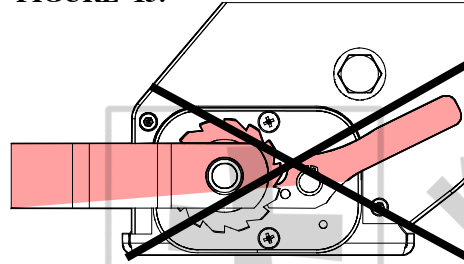


FIGURE 14.

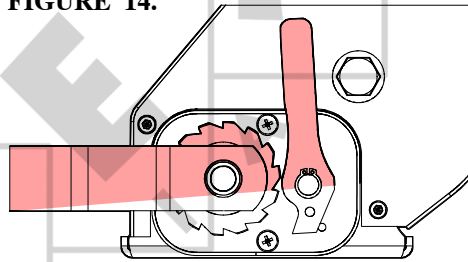


FIGURE 15.

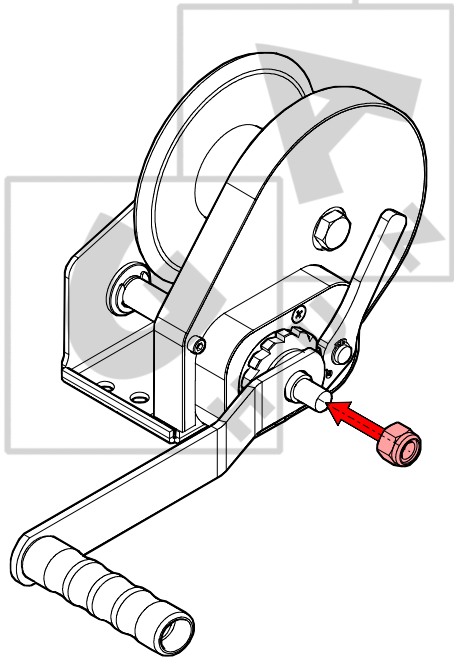


FIGURE 16.

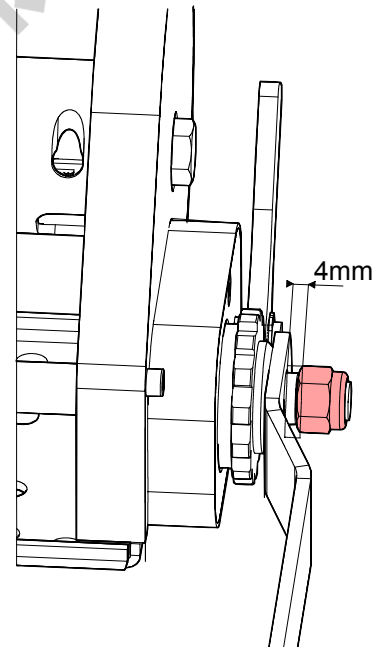


FIGURE 17.

TO MOUNT ON THE WALL

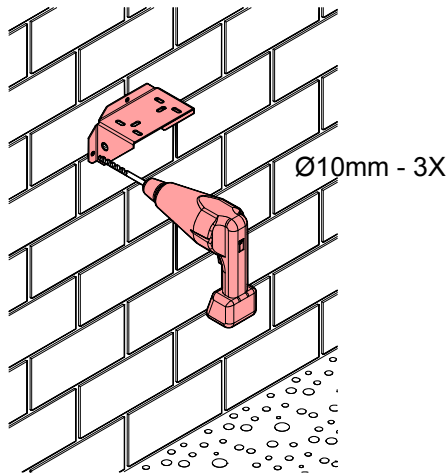


FIGURE 18.

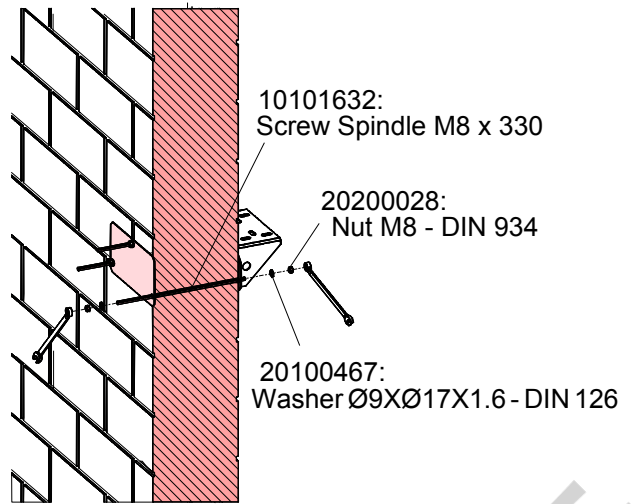


FIGURE 19.

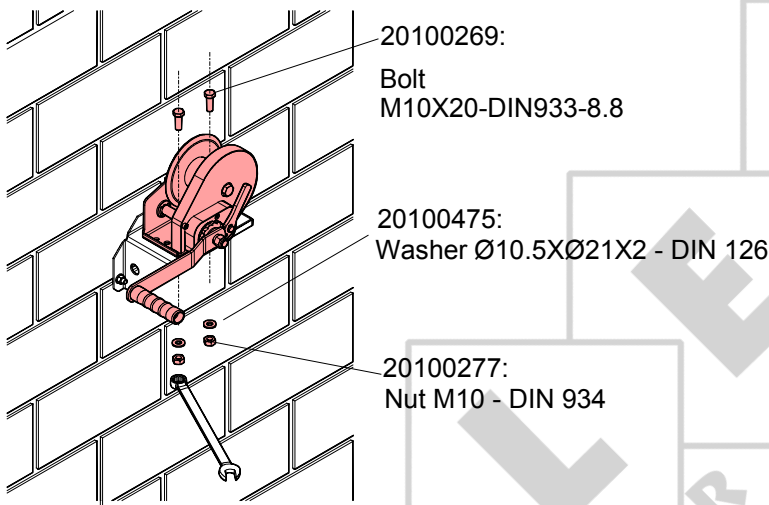


FIGURE 20.

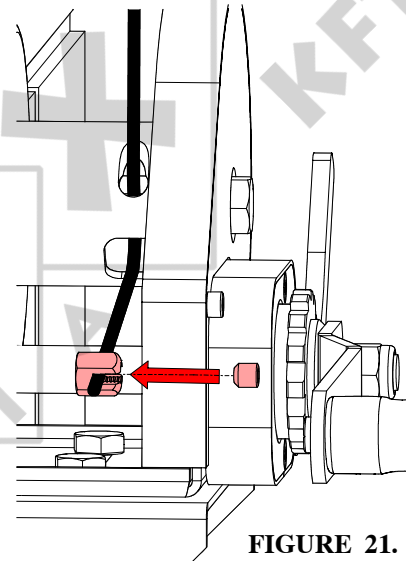


FIGURE 21.

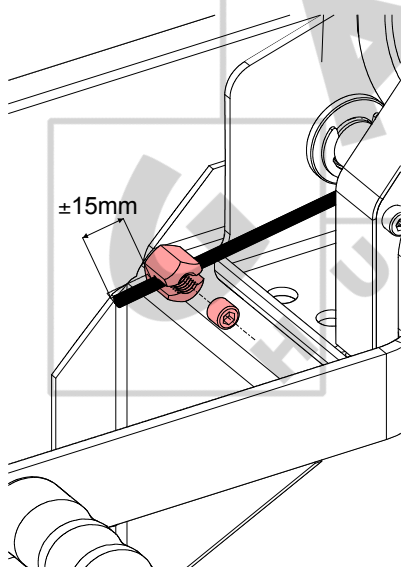


FIGURE 22.

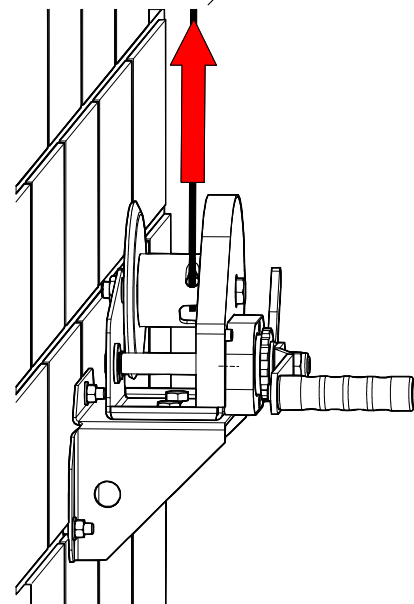


FIGURE 23.

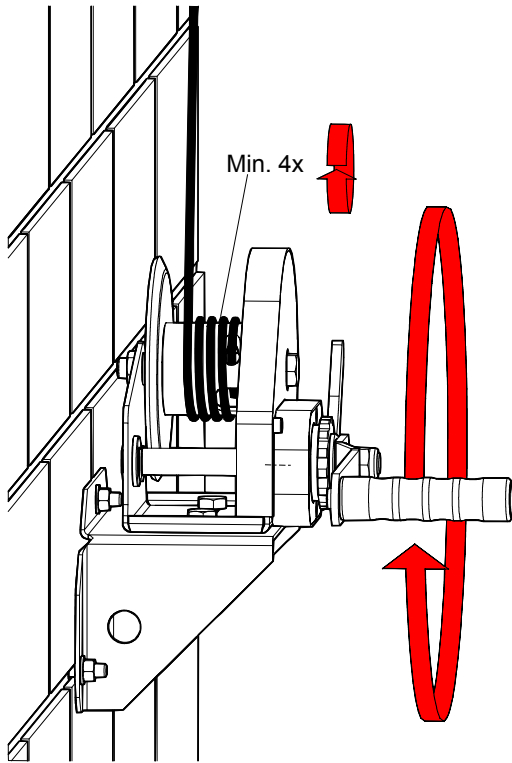


FIGURE 24.

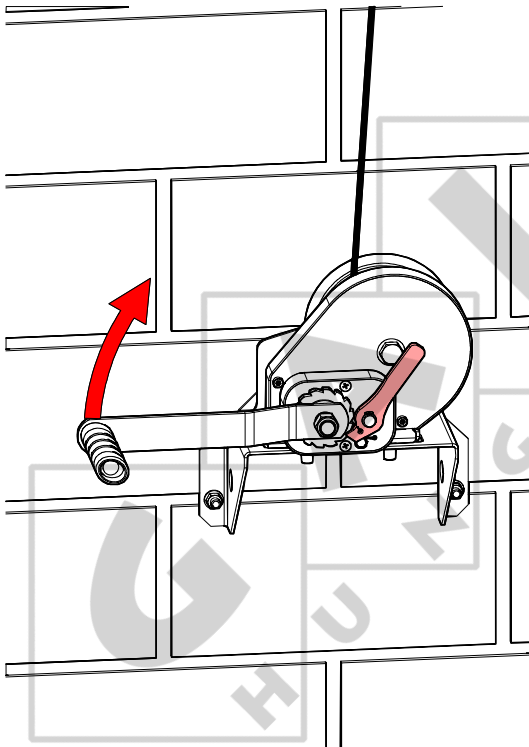


FIGURE 25.

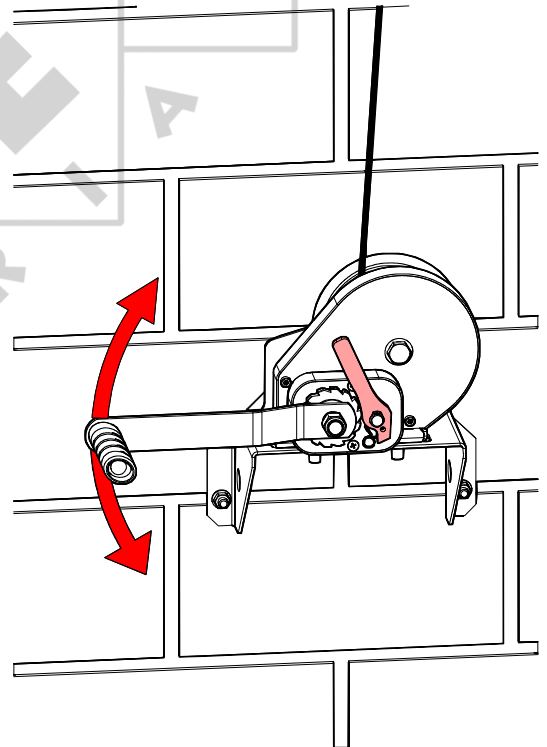


FIGURE 26.

TO INSTALL THE MAIN CABLE

SEE. TO INSTALL THE SUSPENSION POINTS

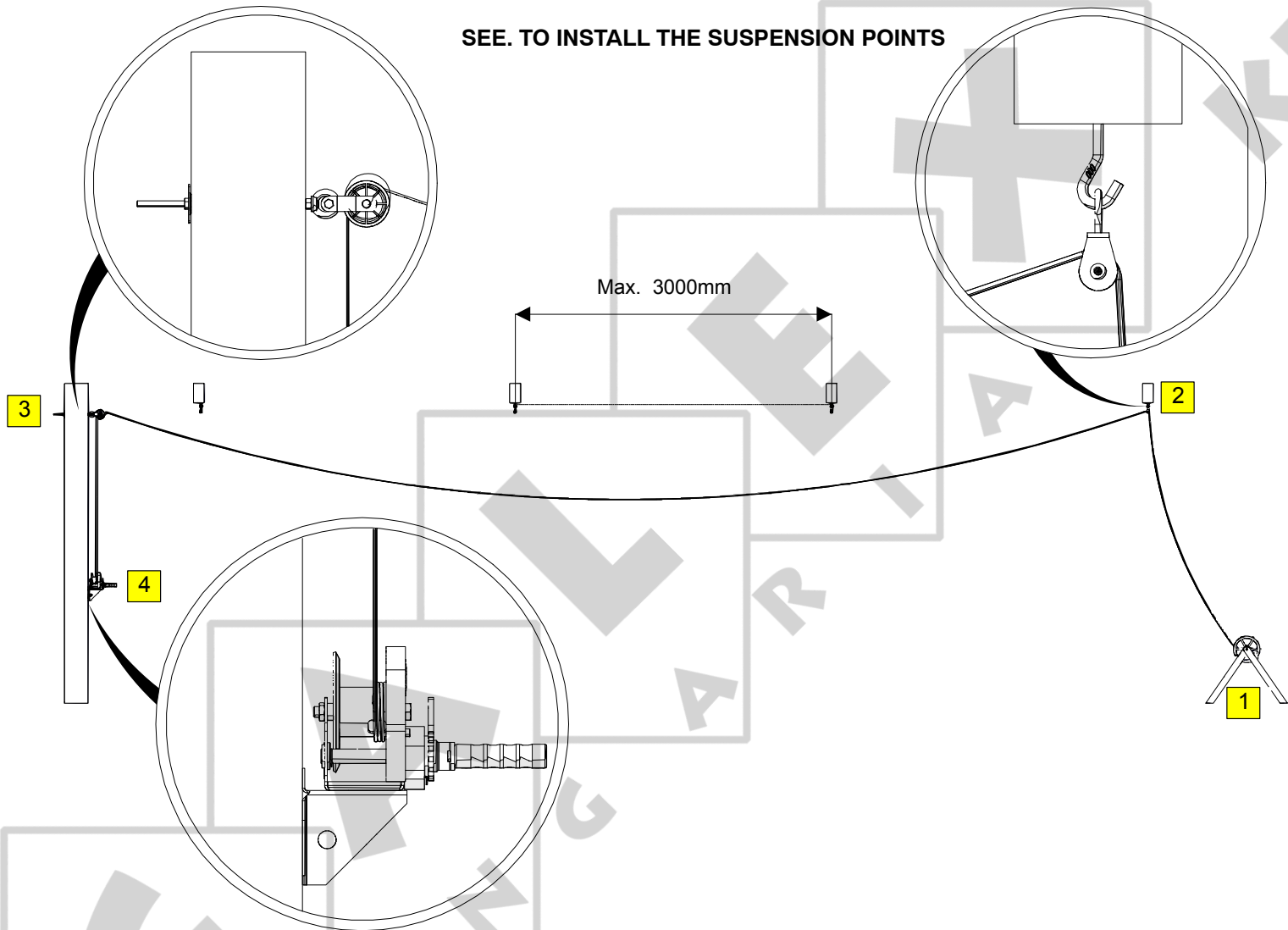


FIGURE 27.

TO FIX THE SUSPENSION CORDS

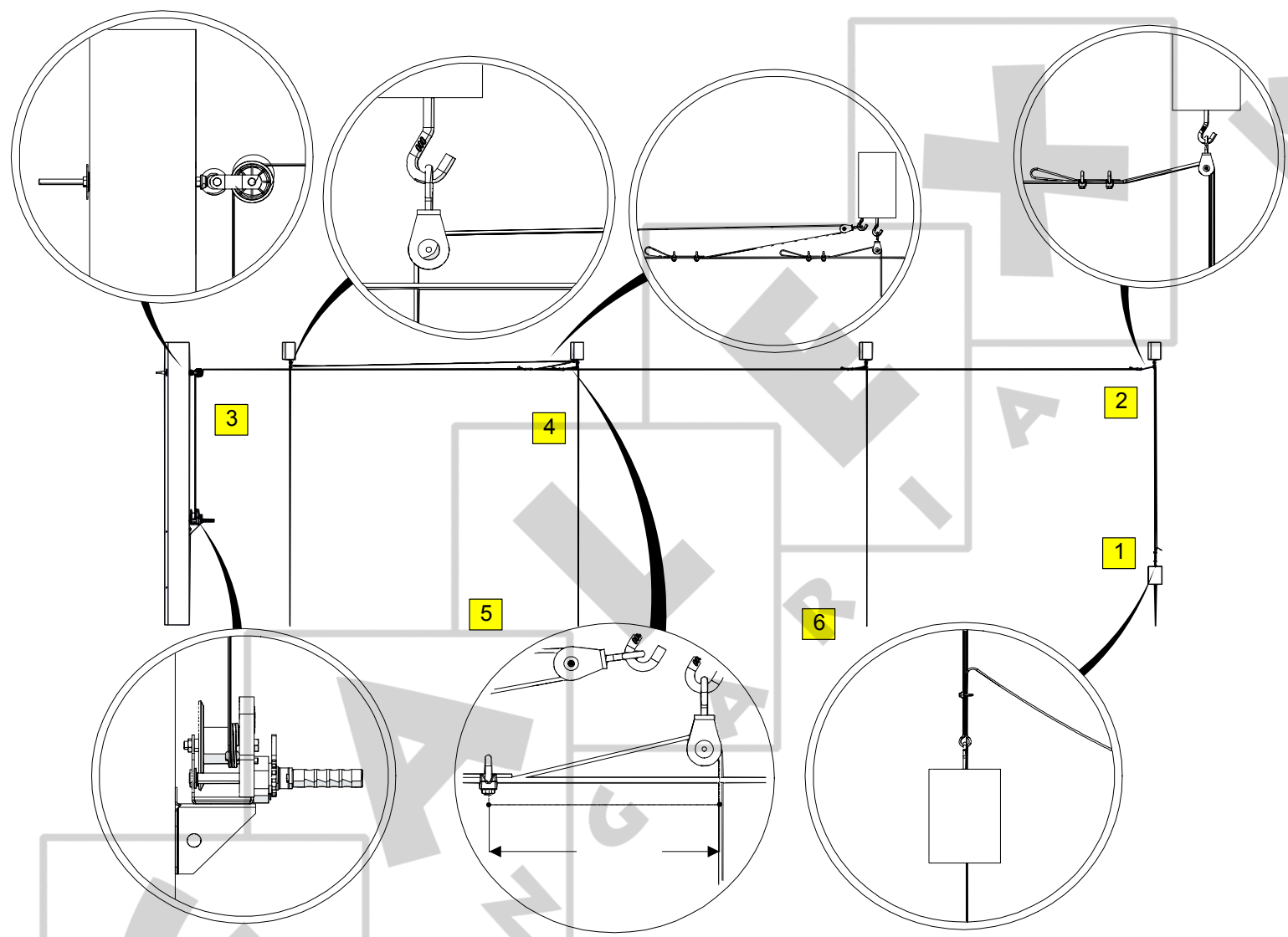


FIGURE 28.

OVERVIEW SUSPENSION DRINKING LINES - CENTRAL HAND WINCH

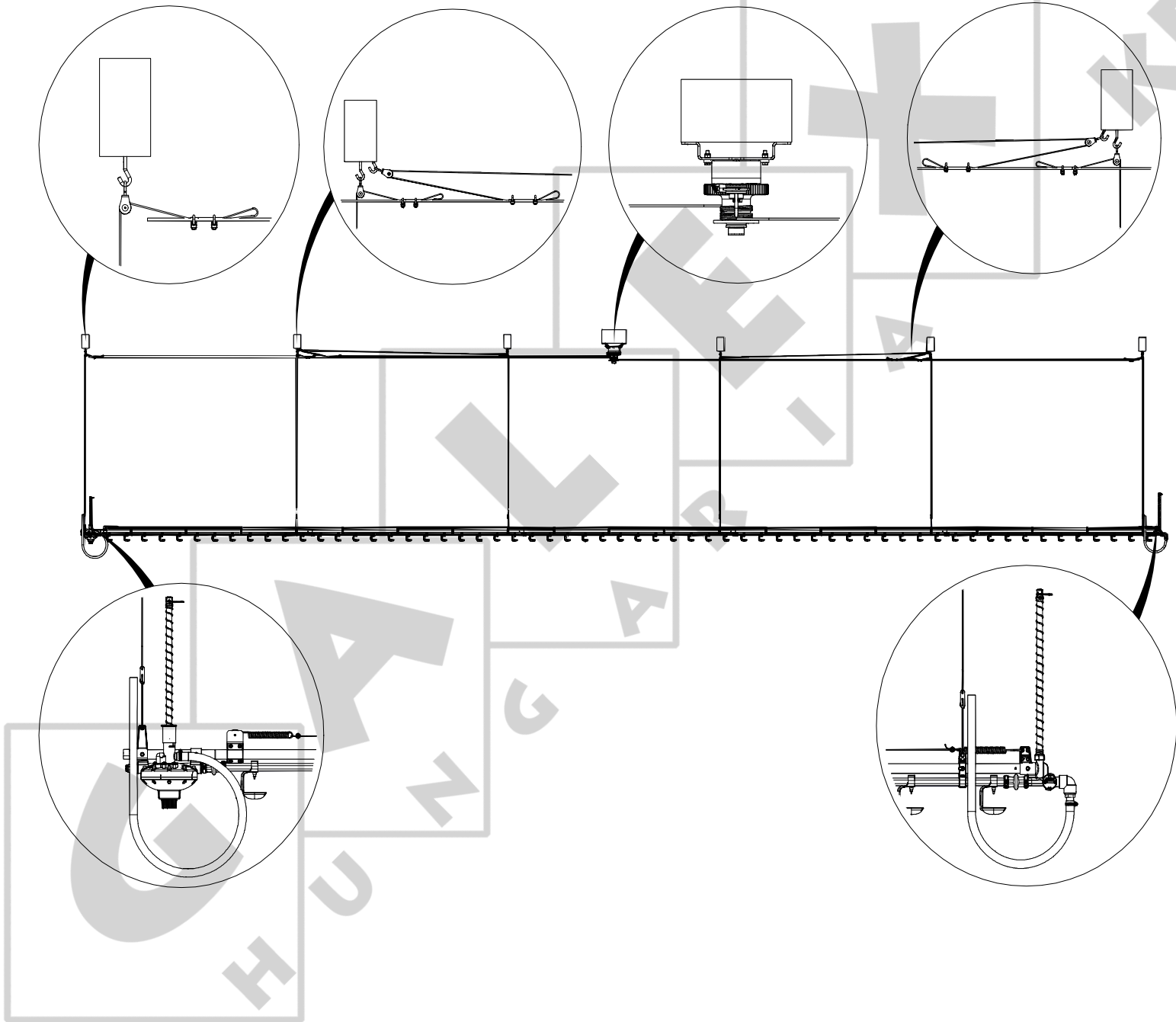


FIGURE 29.

TO INSTALL THE WINCH AT THE MOUNTING PLATE

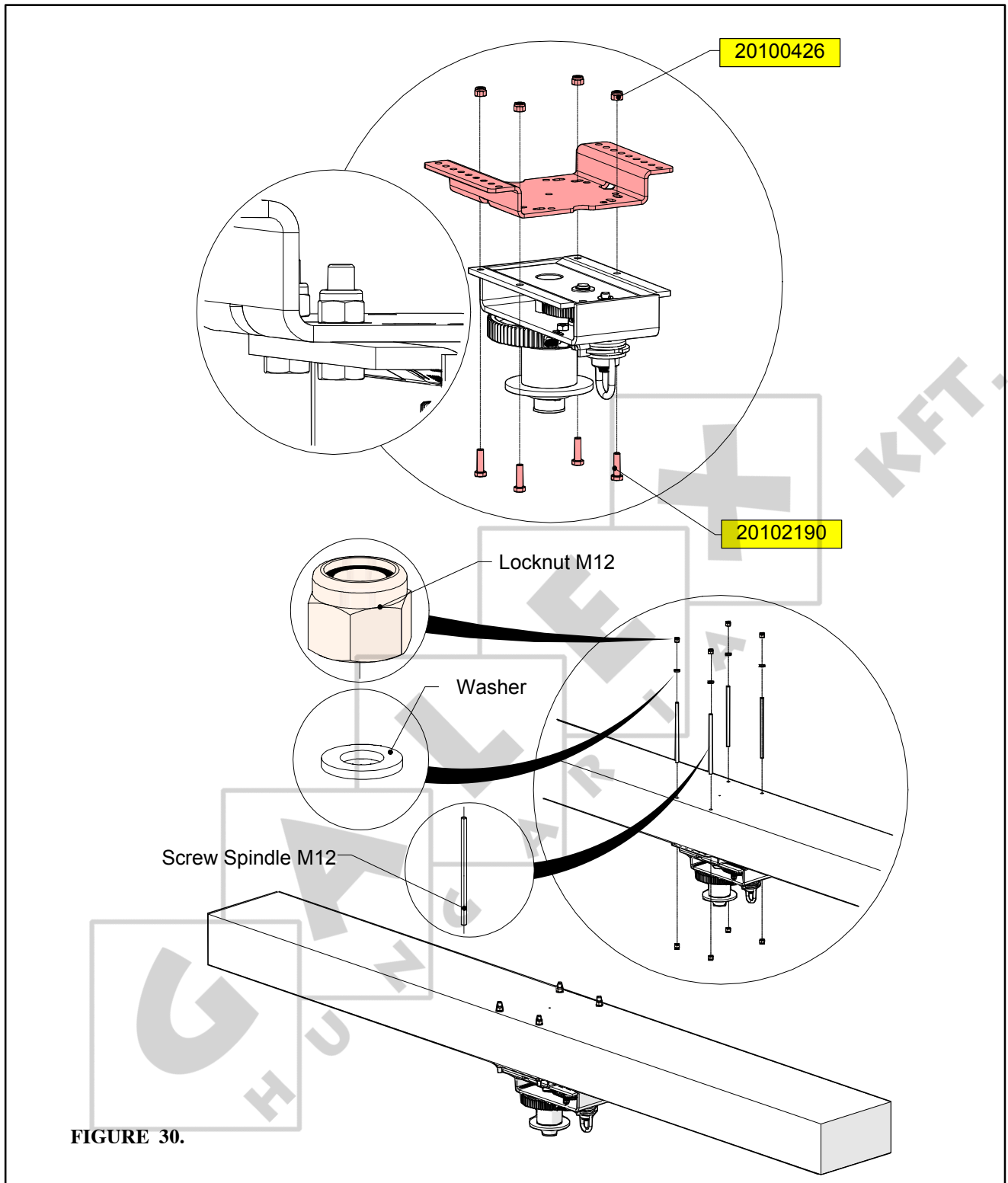


FIGURE 30.

POSITION OF THE MAIN CABLE OF CENTRAL WINCH

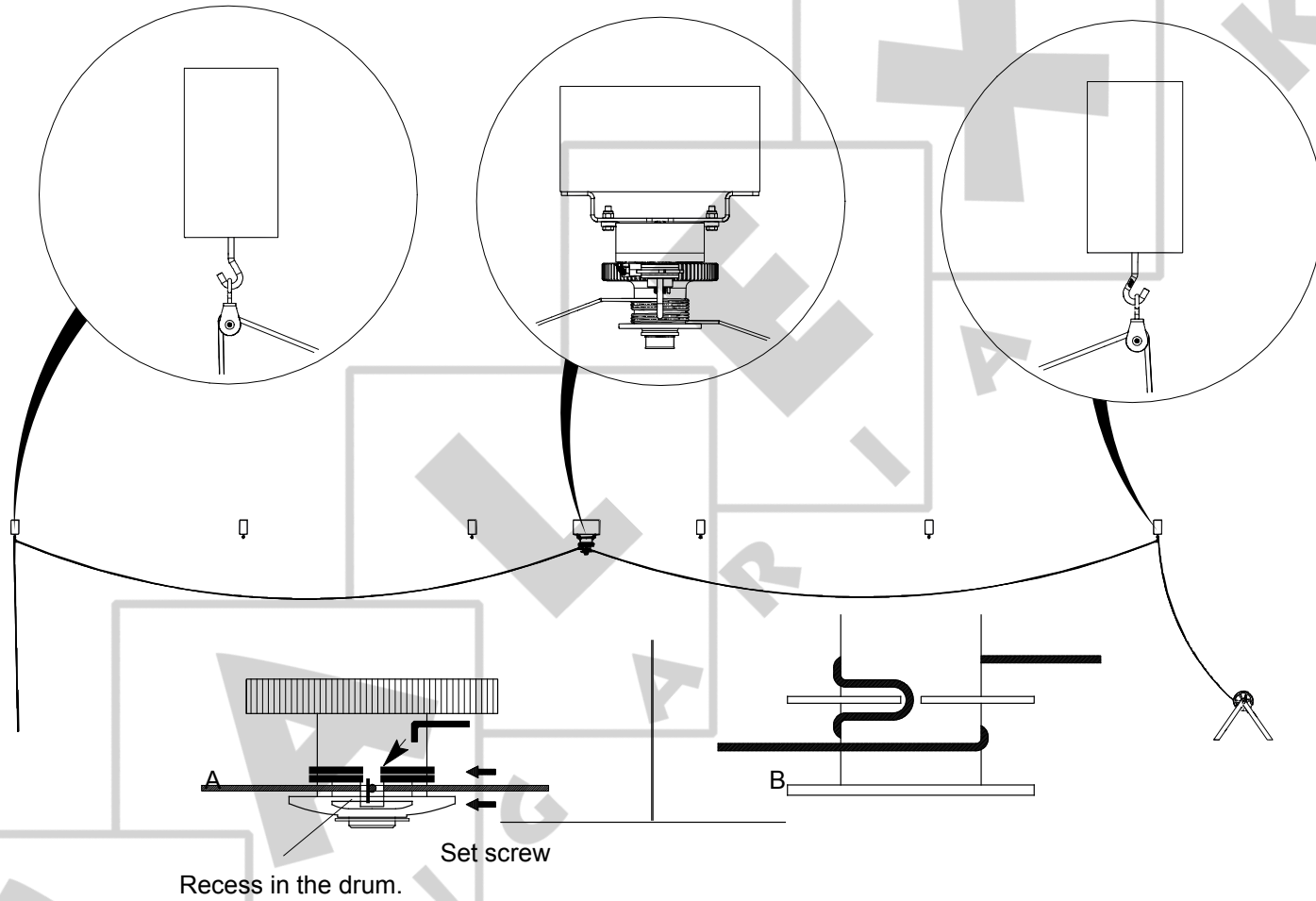


FIGURE 32.

TO INSTALL THE DRINKING LINE TO ASSEMBLE TUBE WITH CUPS

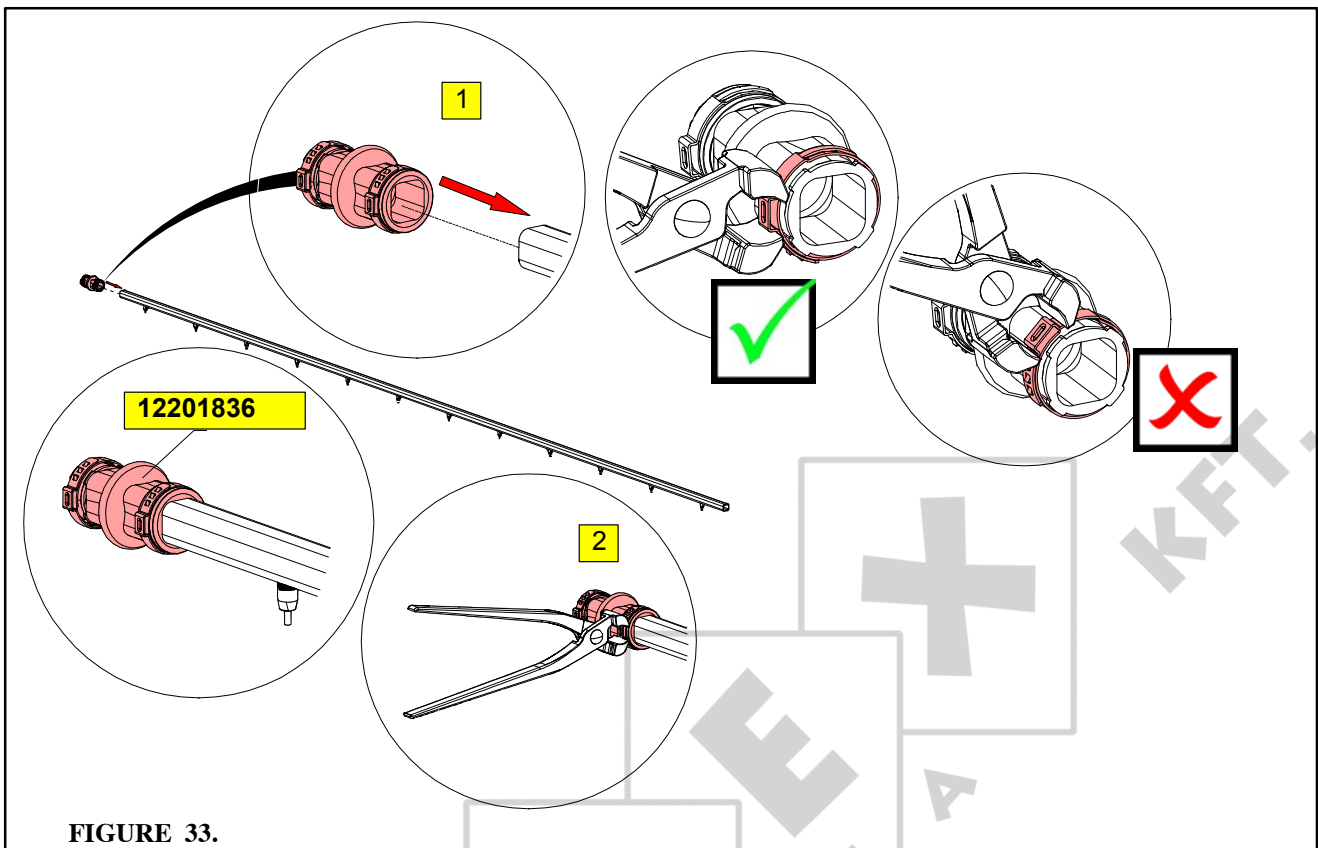


FIGURE 33.

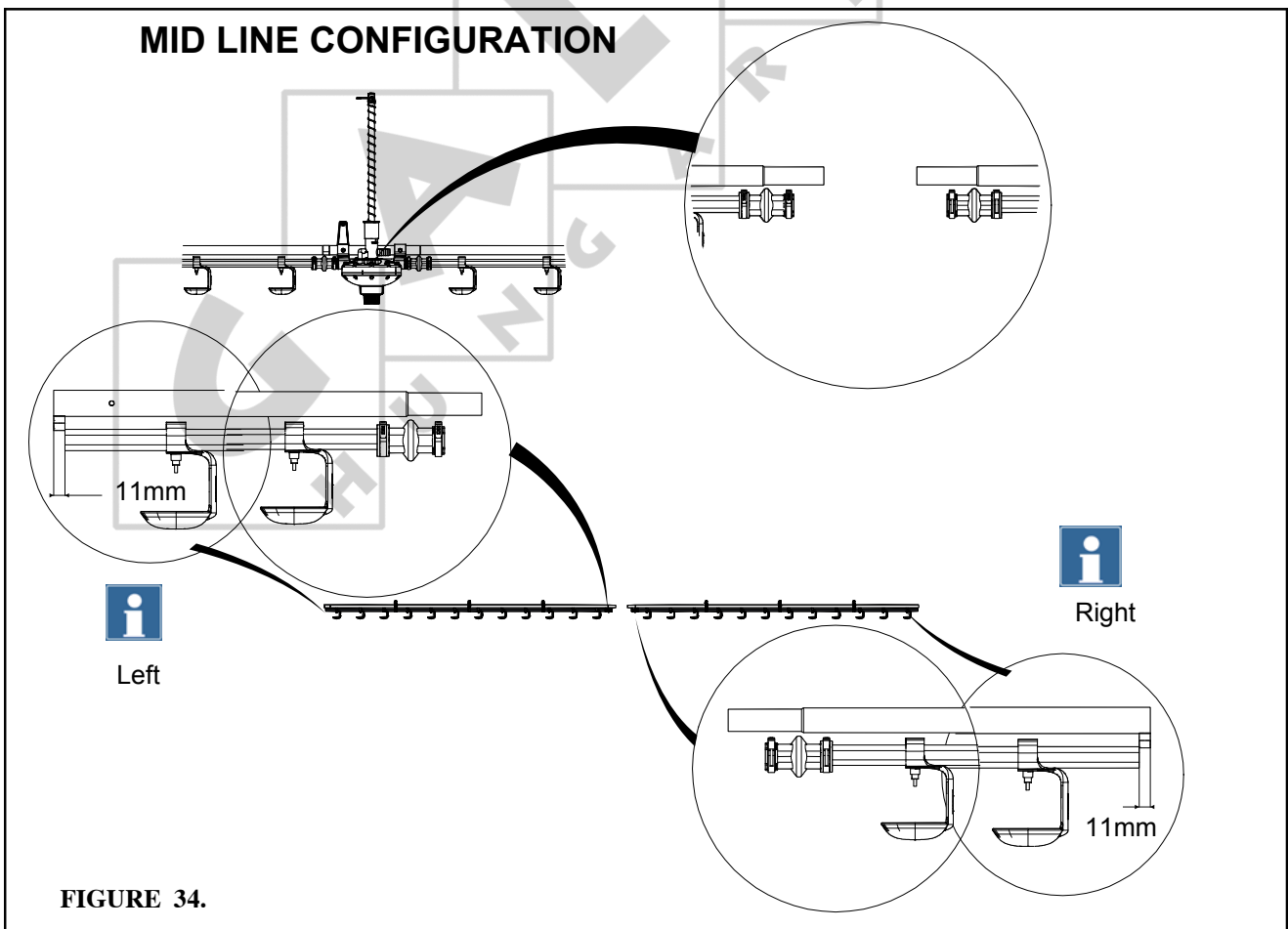


FIGURE 34.

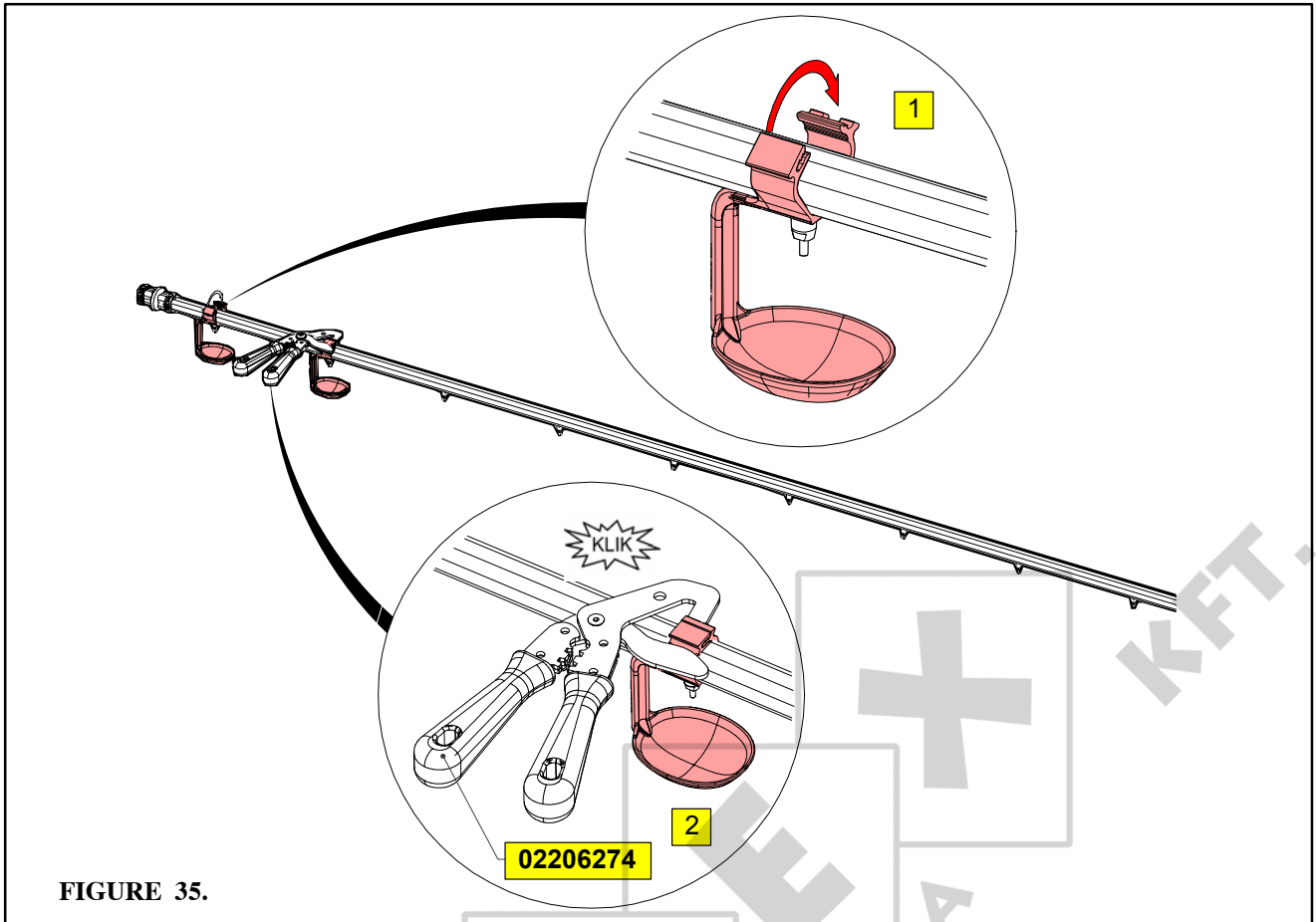


FIGURE 35.

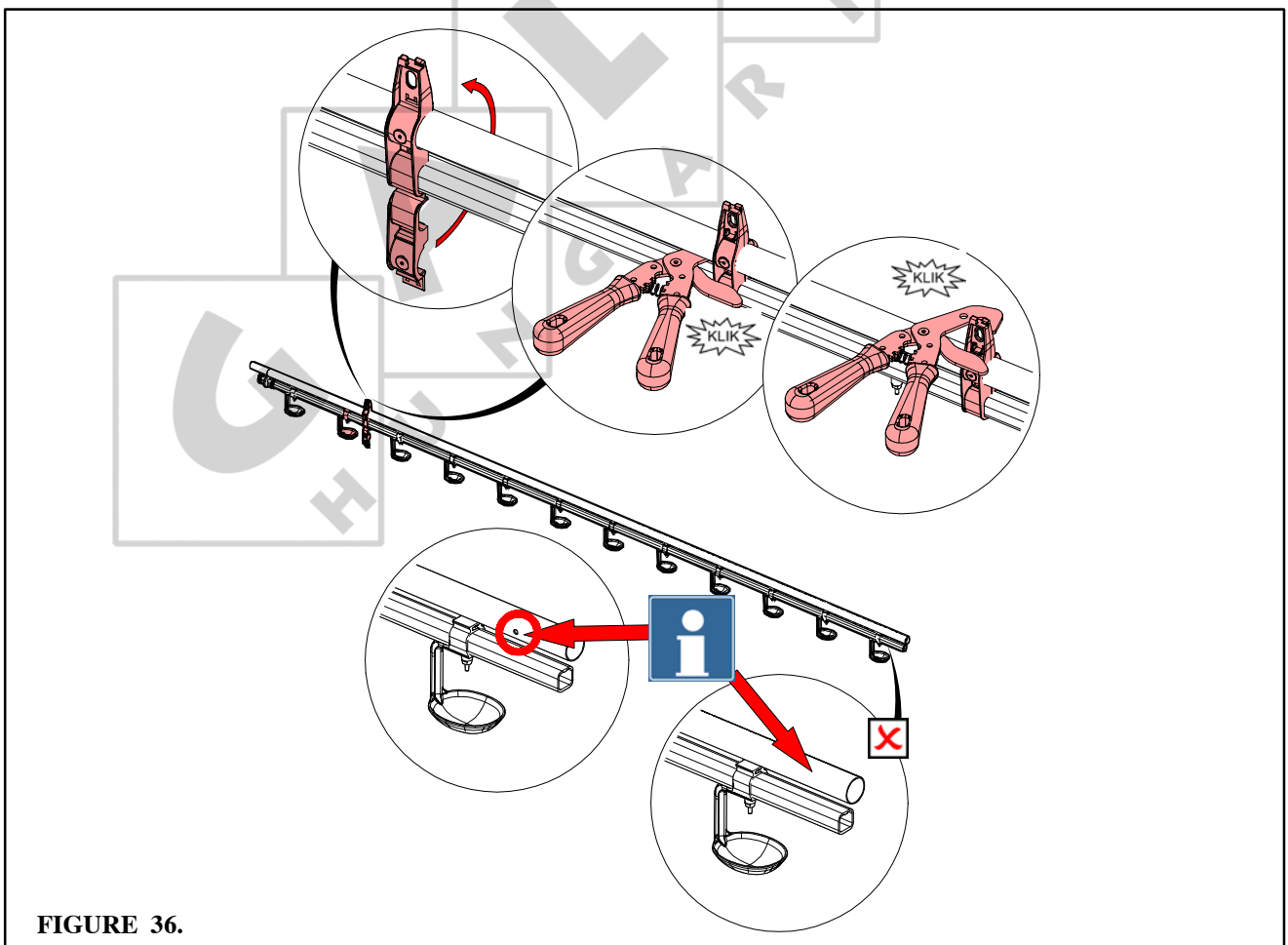


FIGURE 36.

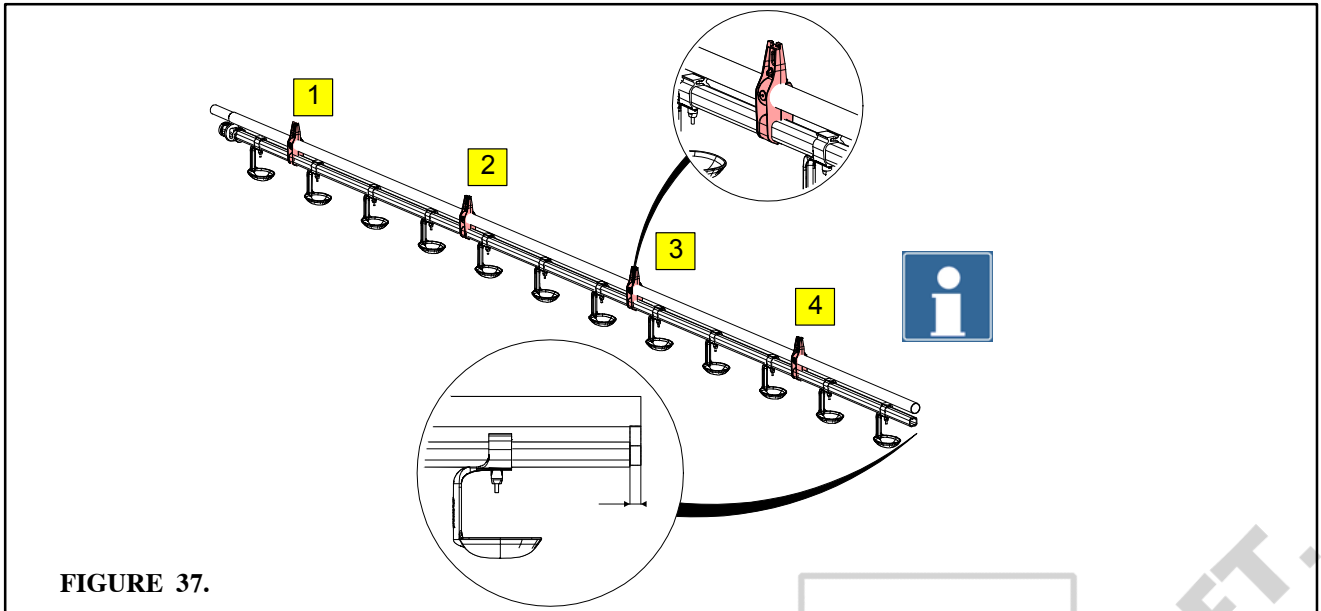


FIGURE 37.

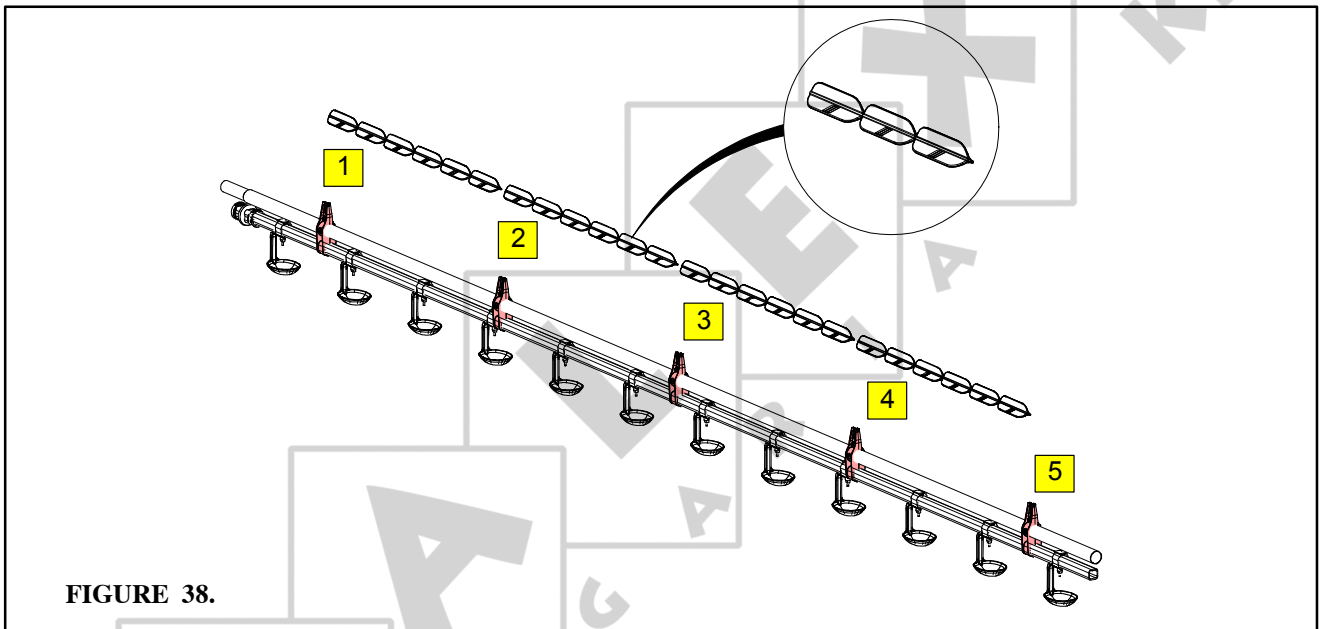


FIGURE 38.

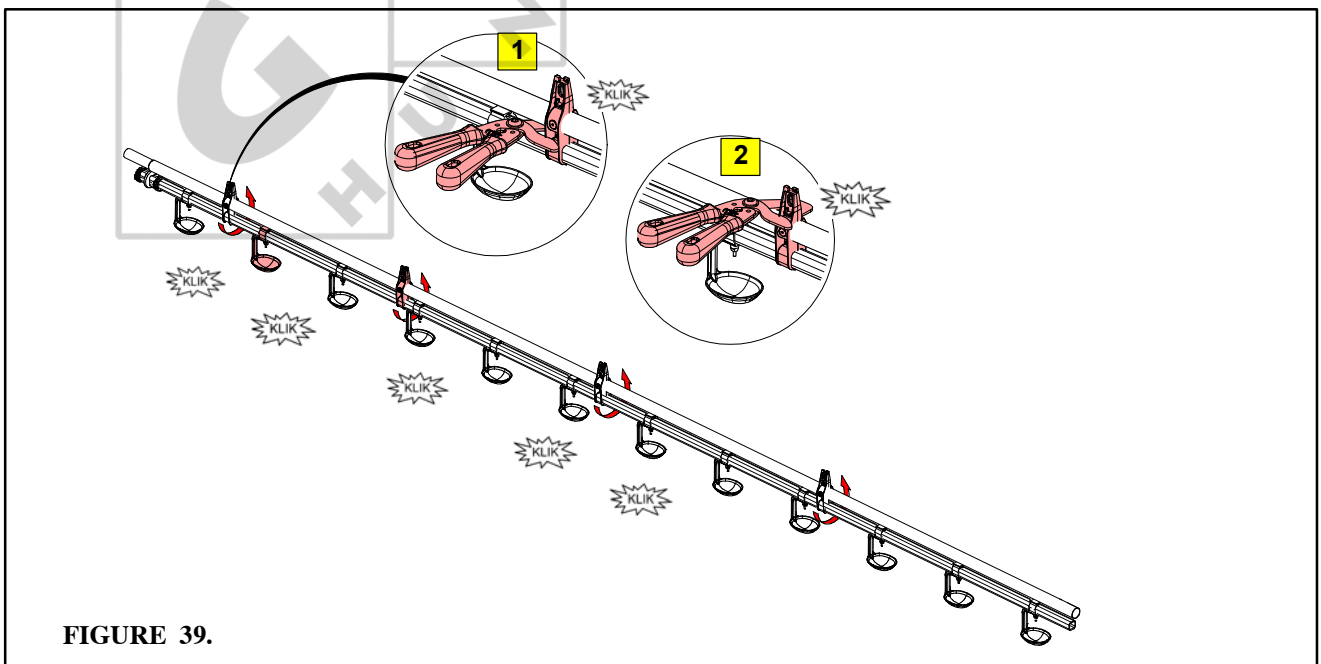
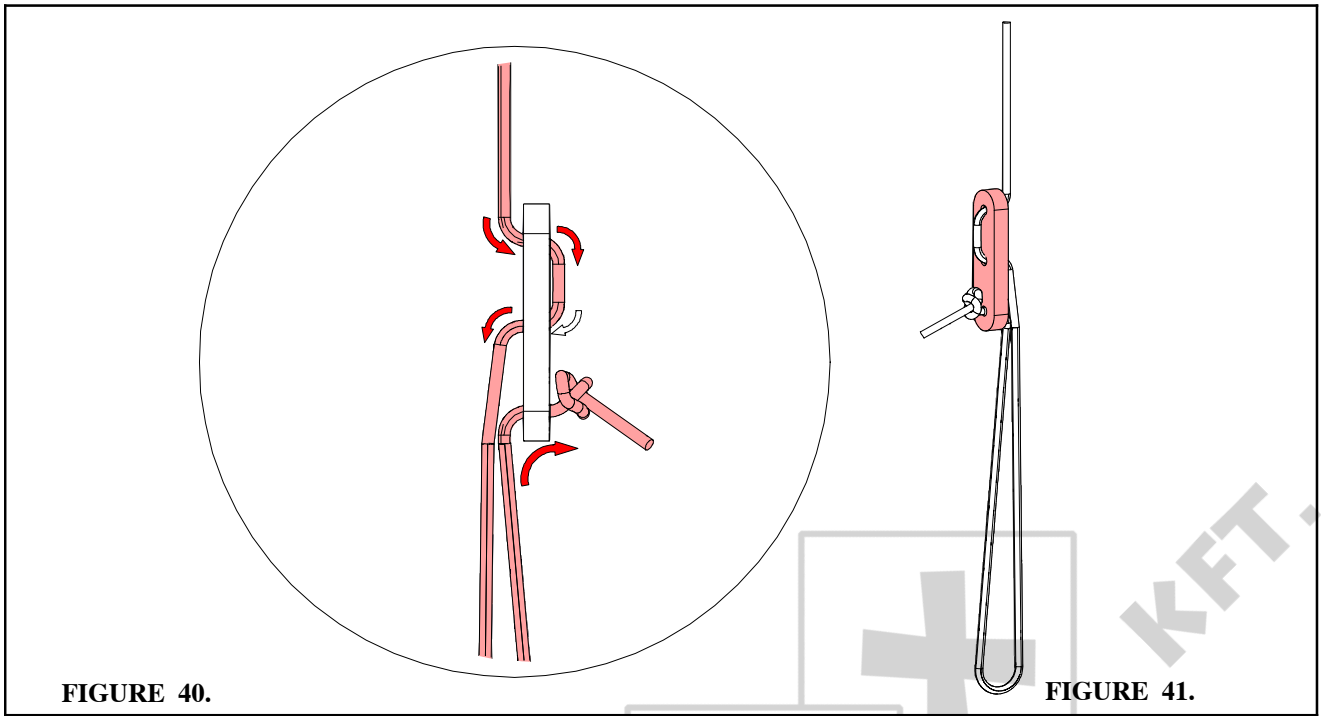
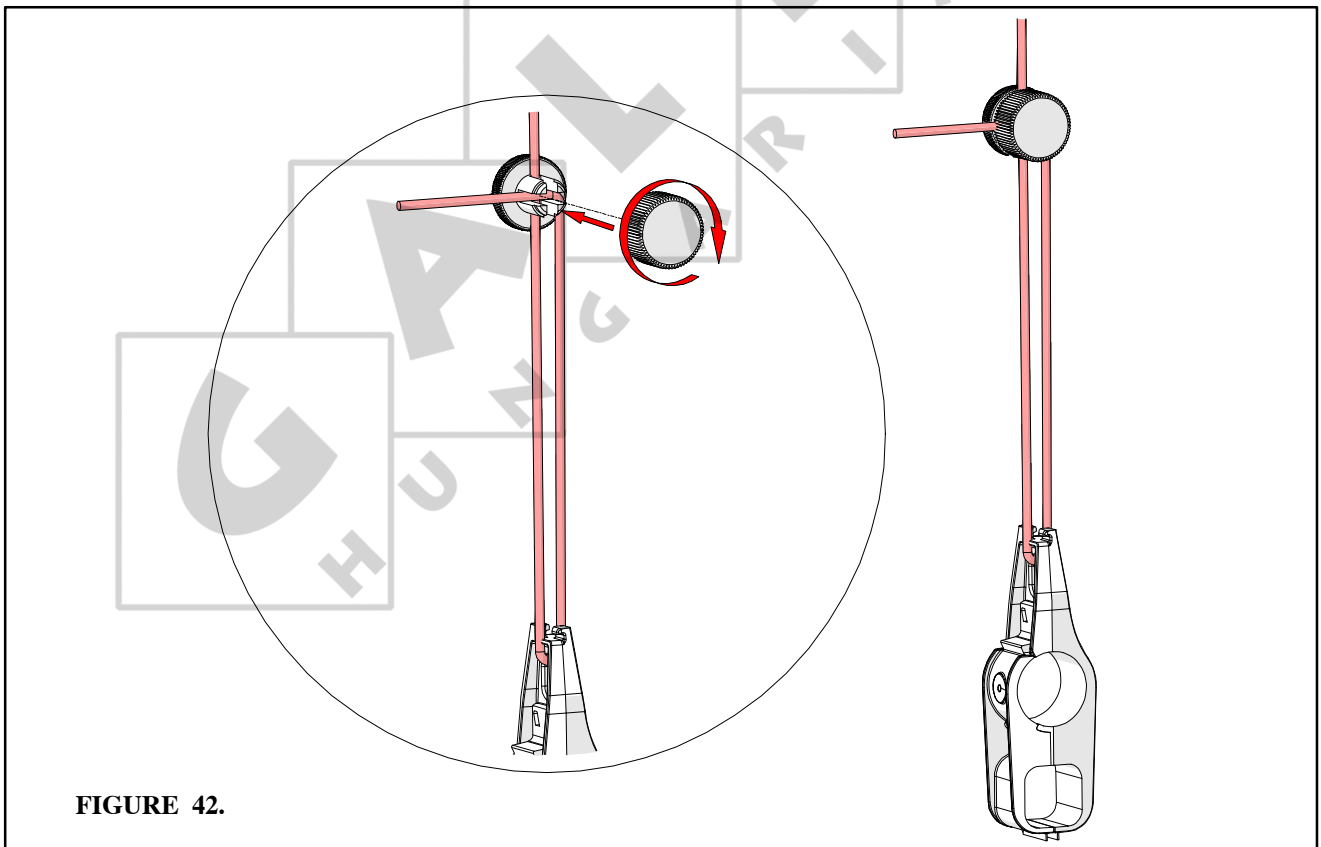


FIGURE 39.

TO INSTALL THE THREE HOLE STRING ADJUSTER



TO INSTALL LINE WITH THE SUSPENSION SCREW (LINE ADJUSTING WITH FLOOR)



TO INSTALL LINE WITH THE SUSPENSION PLATE

OPTION:

Determine the length of cable (3/32: 0010688 : 250m / 00106895: 500m / ST.ST.: 0402586) to be cut as follows :

- Pull the cable downward under slight tension until it touches the tube.
- Add 15 cm.
- Cut here.

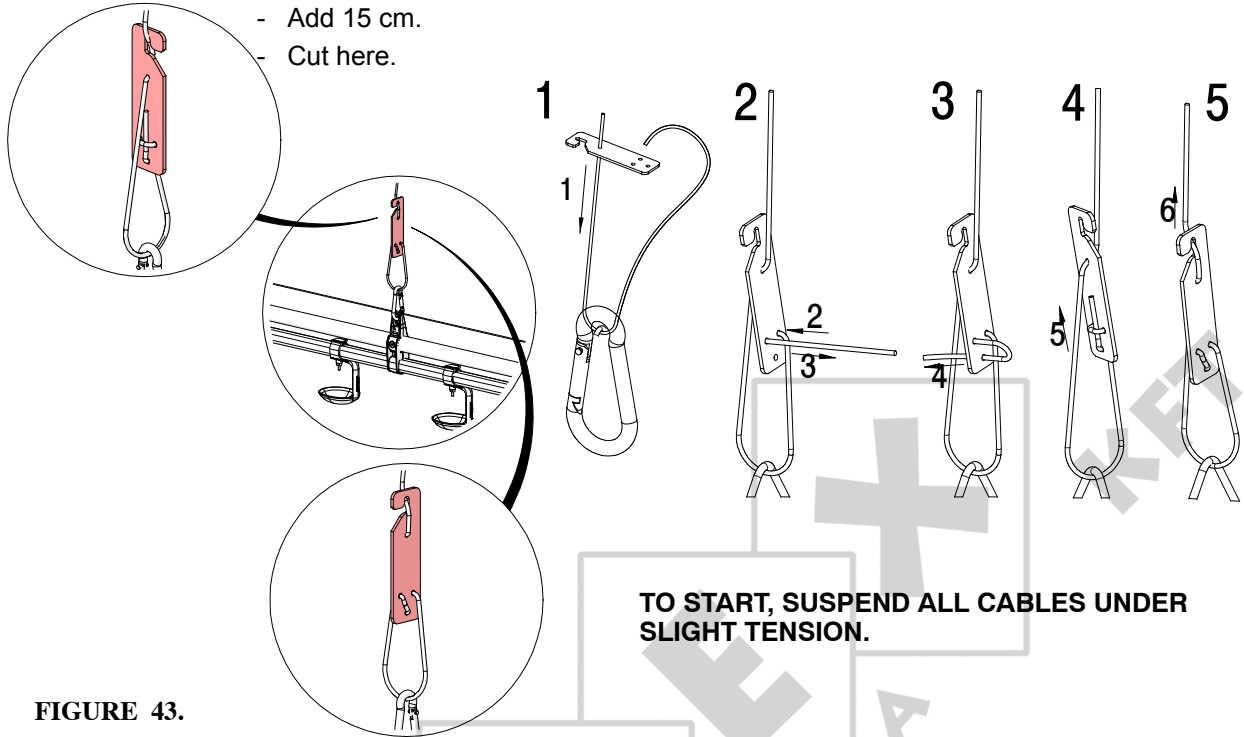
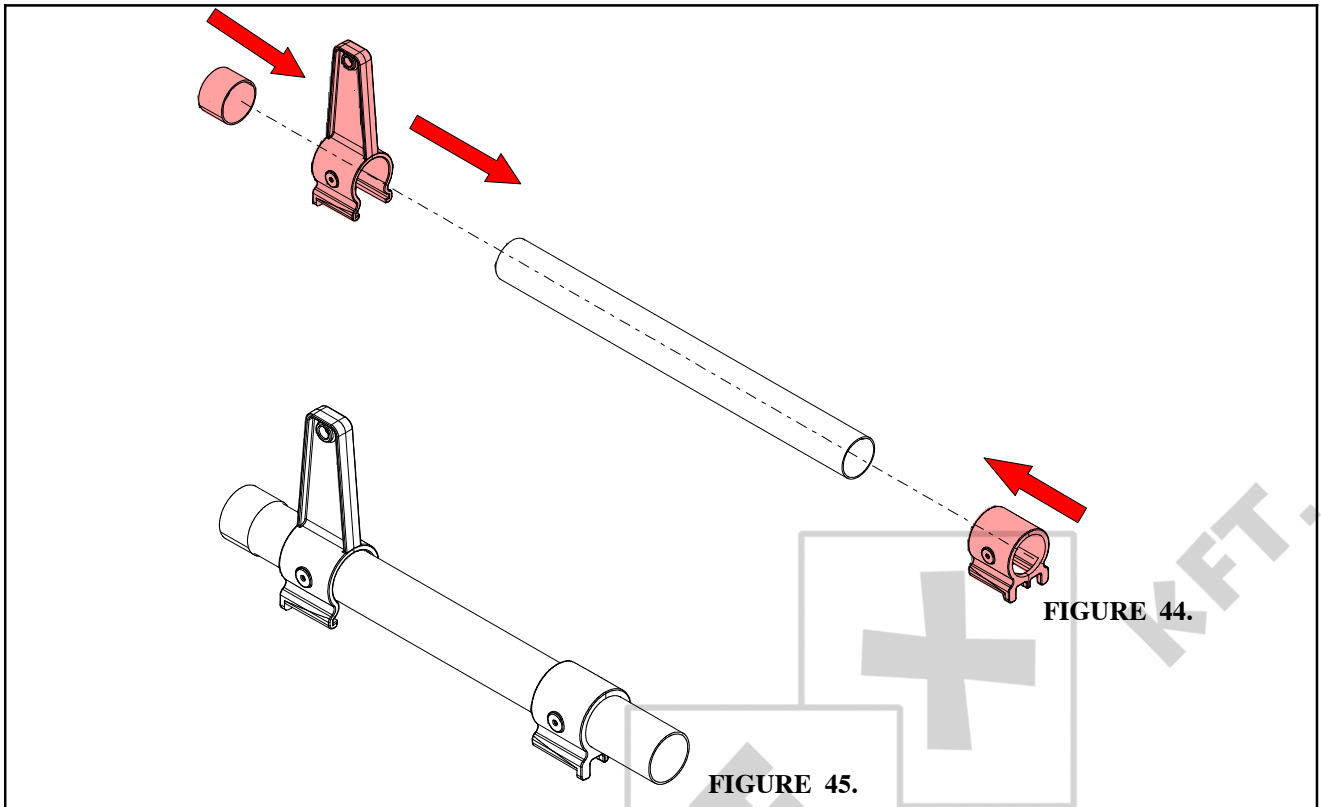
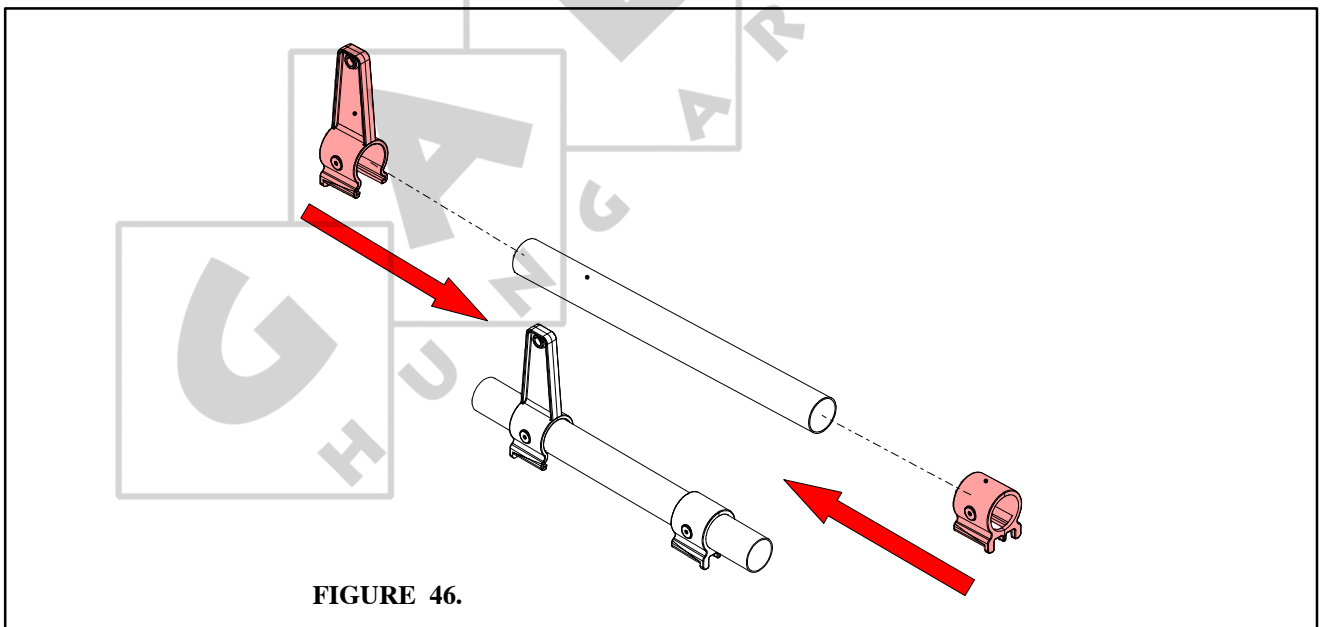


FIGURE 43.

ASSEMBLY FRONT LINE MODEL



ASSEMBLY MID LINE MODEL



TO START INSTALLATION OF DRINKING LINE

FIRST SUSPENSION POINT

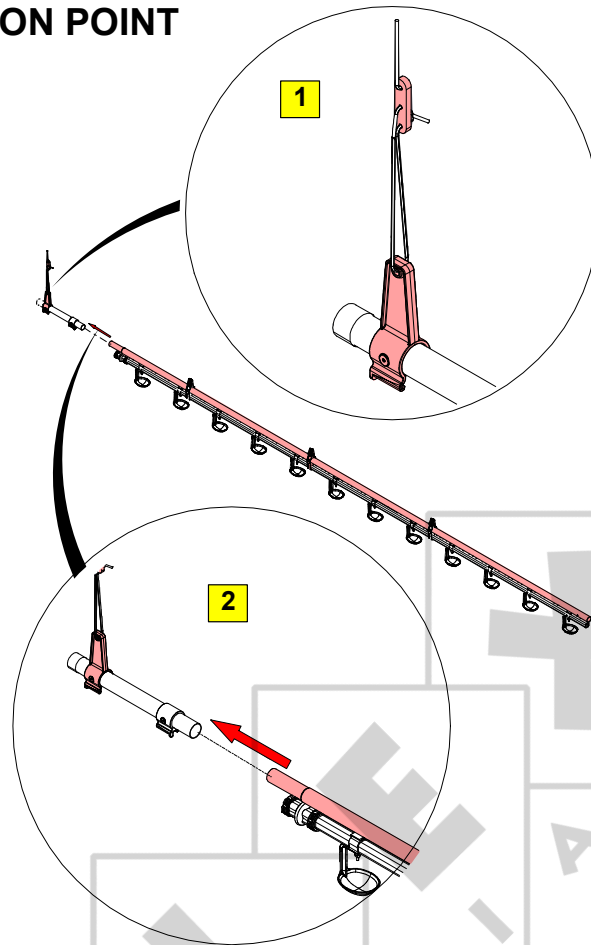


FIGURE 47.

SECOND SUSPENSION POINT

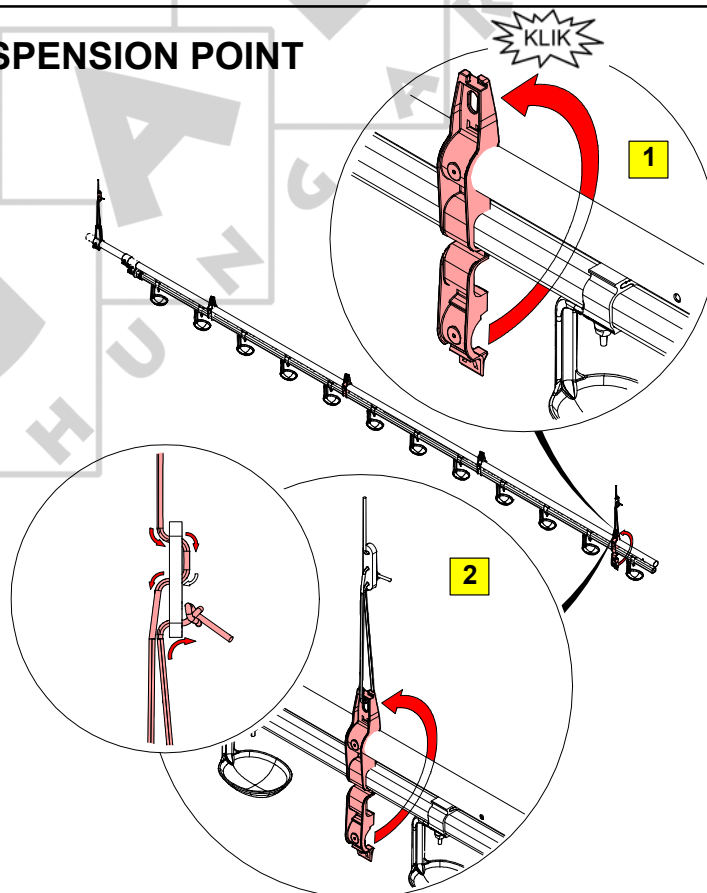


FIGURE 48.

TO INSTALL SECOND UNIT + FOLLOWING

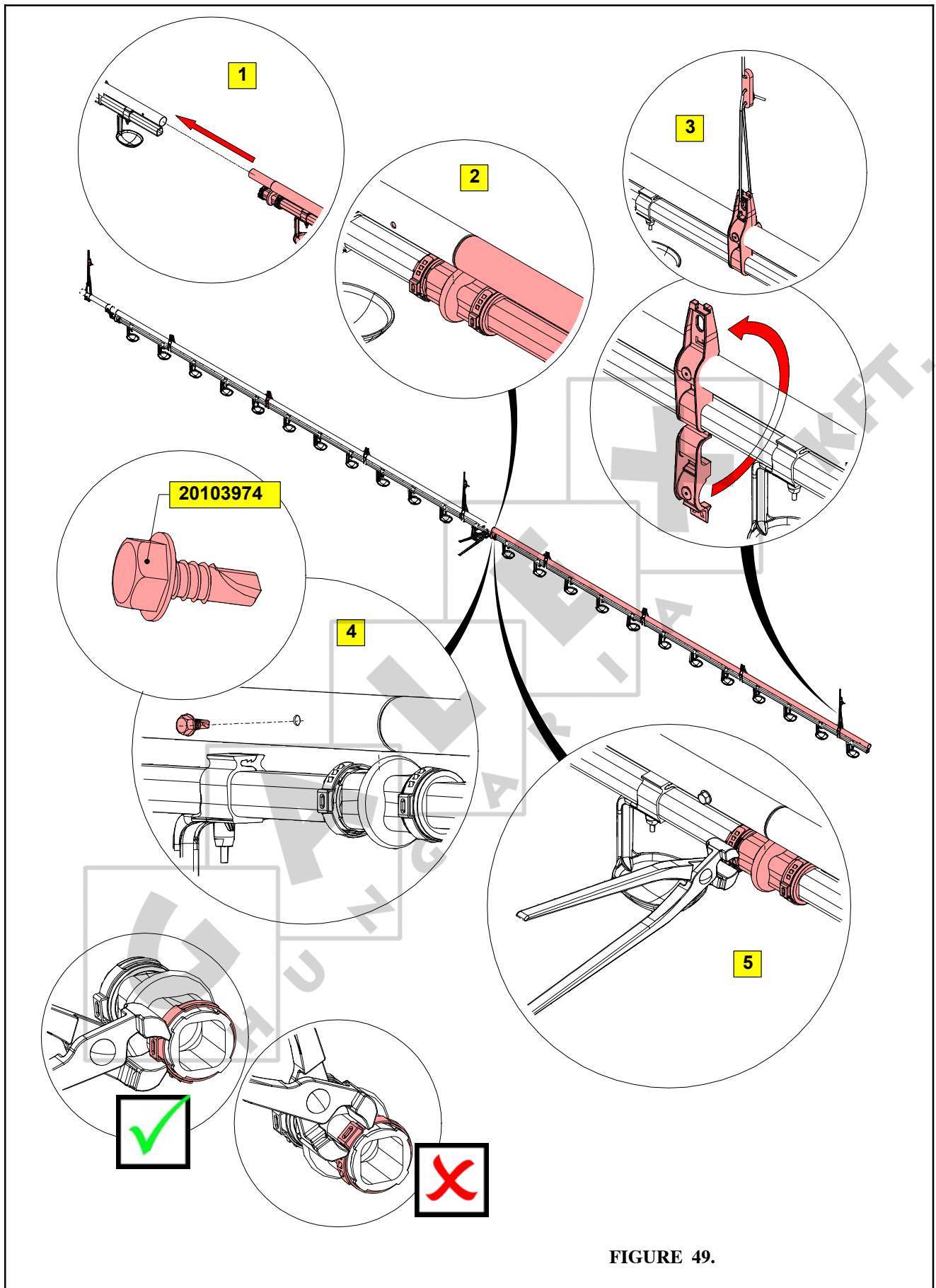
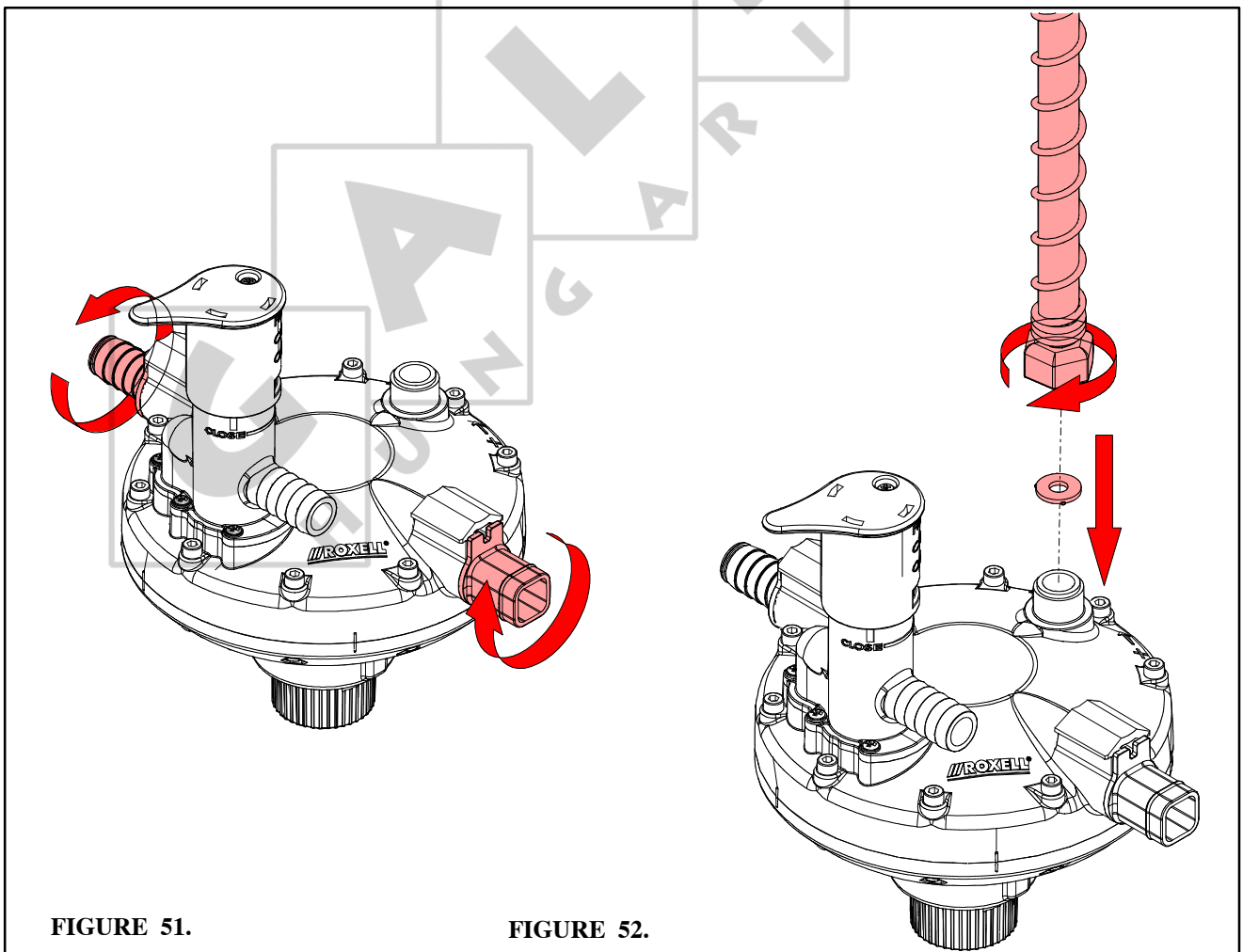
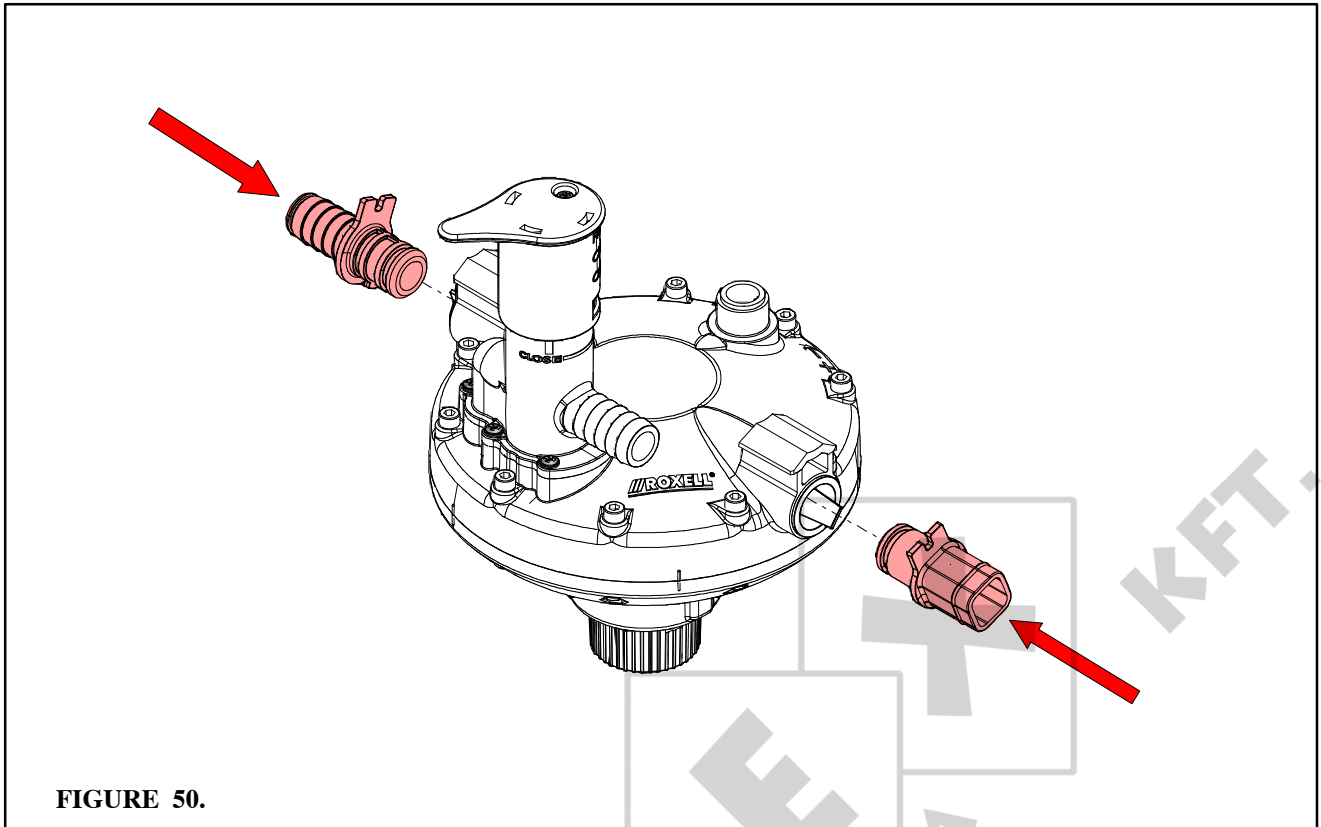


FIGURE 49.

TO INSTALL THE PRESSURE REGULATOR



TO INSTALL THE PRESSURE REGULATOR TO THE DRINKING LINE

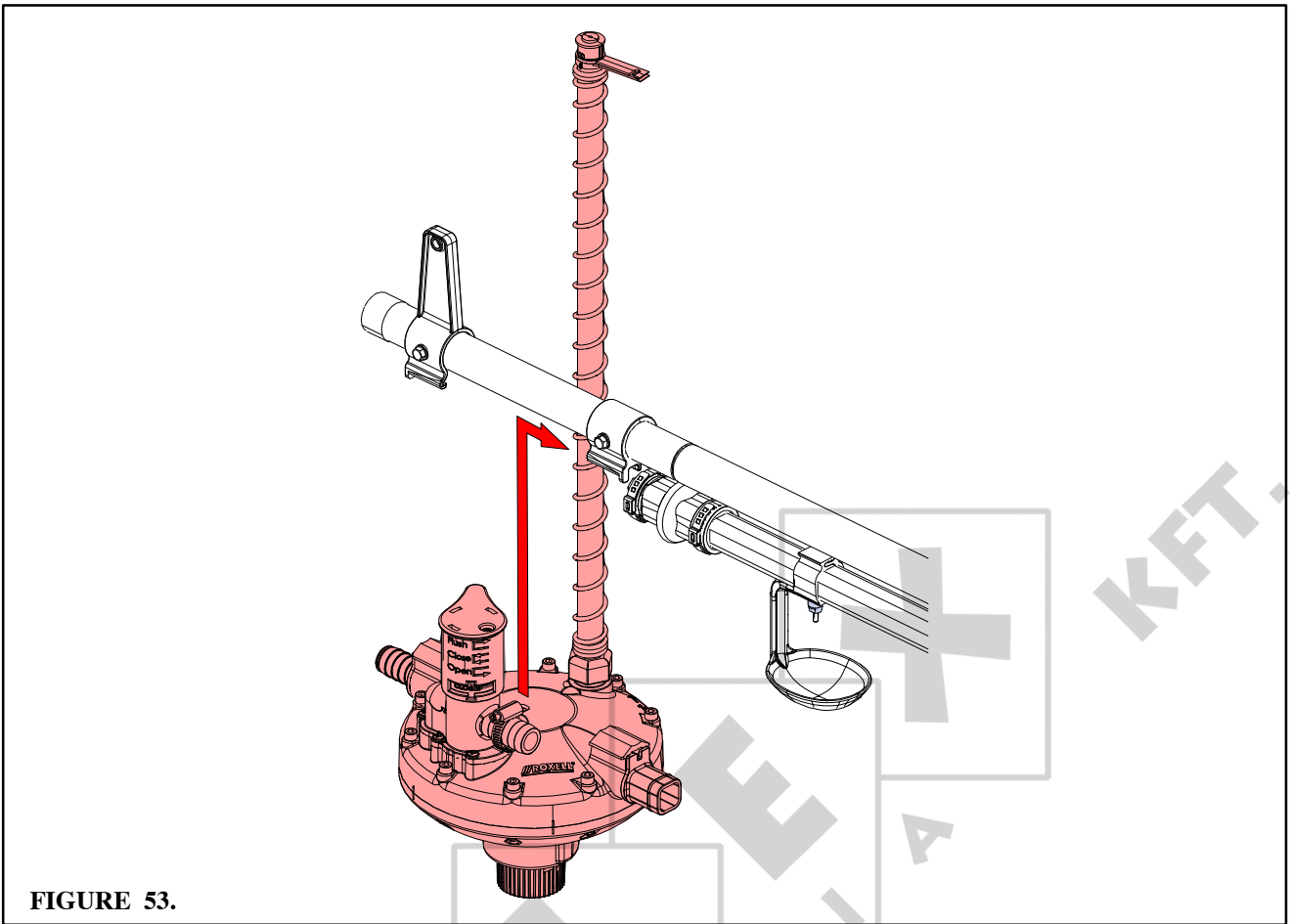


FIGURE 53.

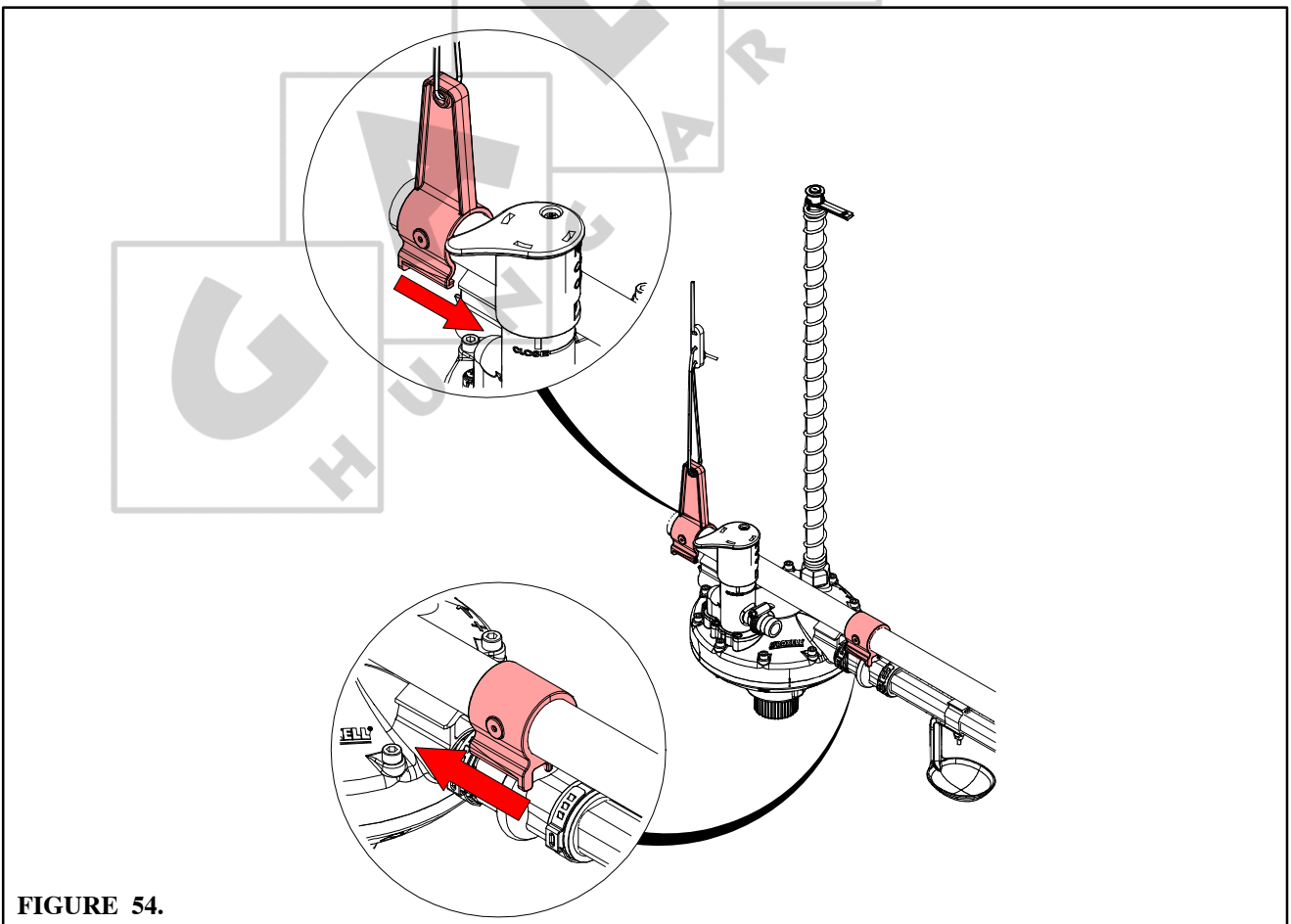


FIGURE 54.

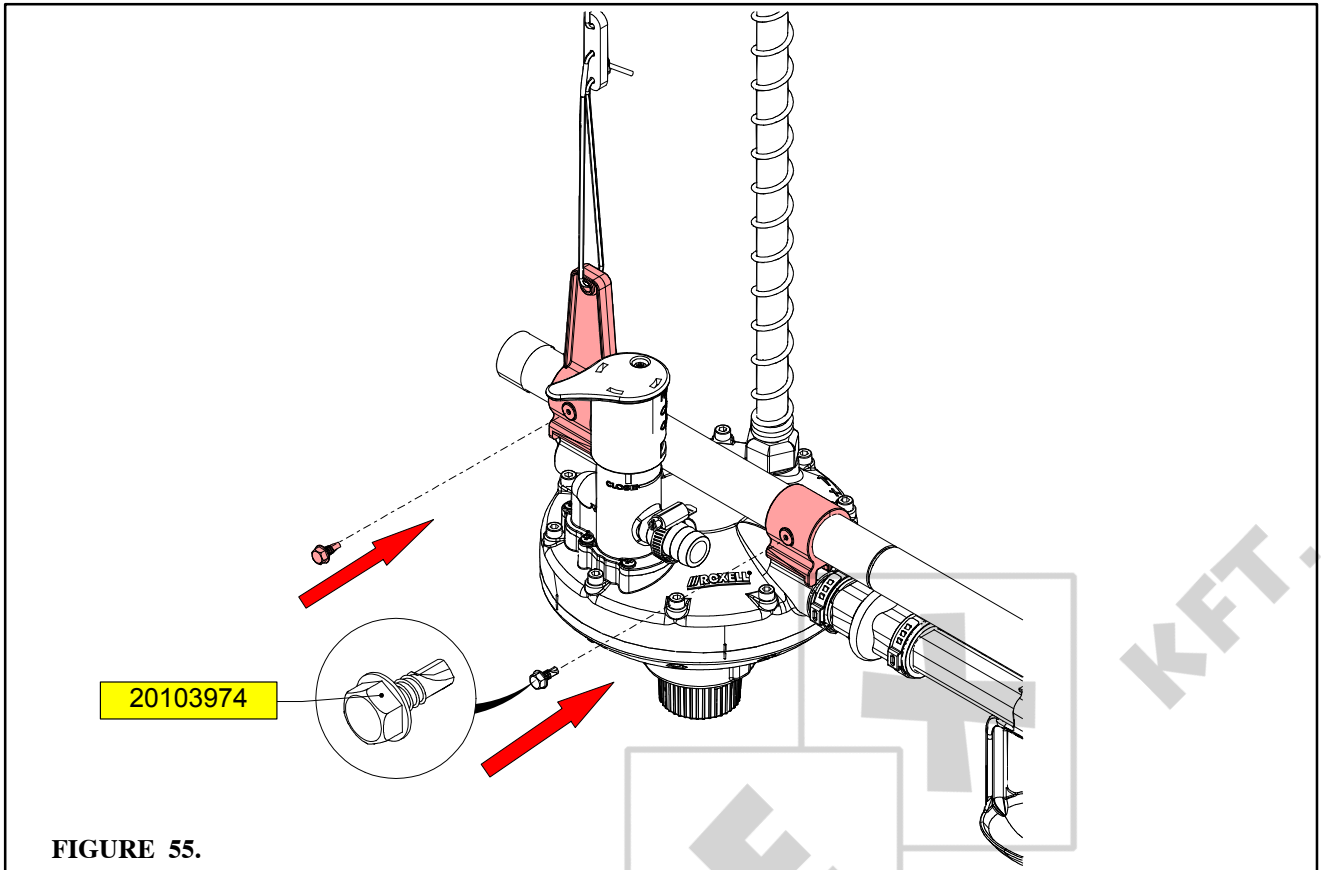


FIGURE 55.

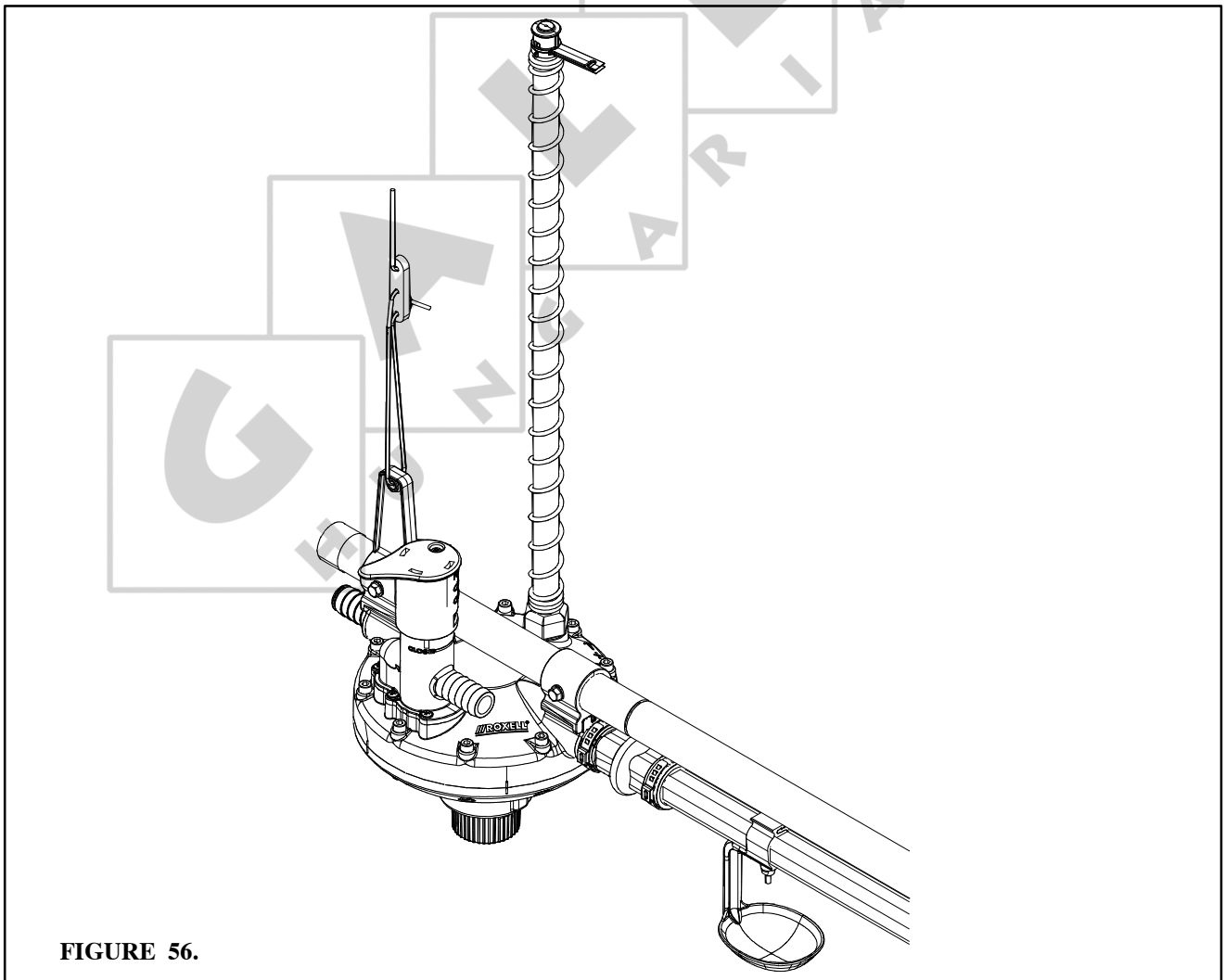


FIGURE 56.

TO INSTALL THE END UNIT

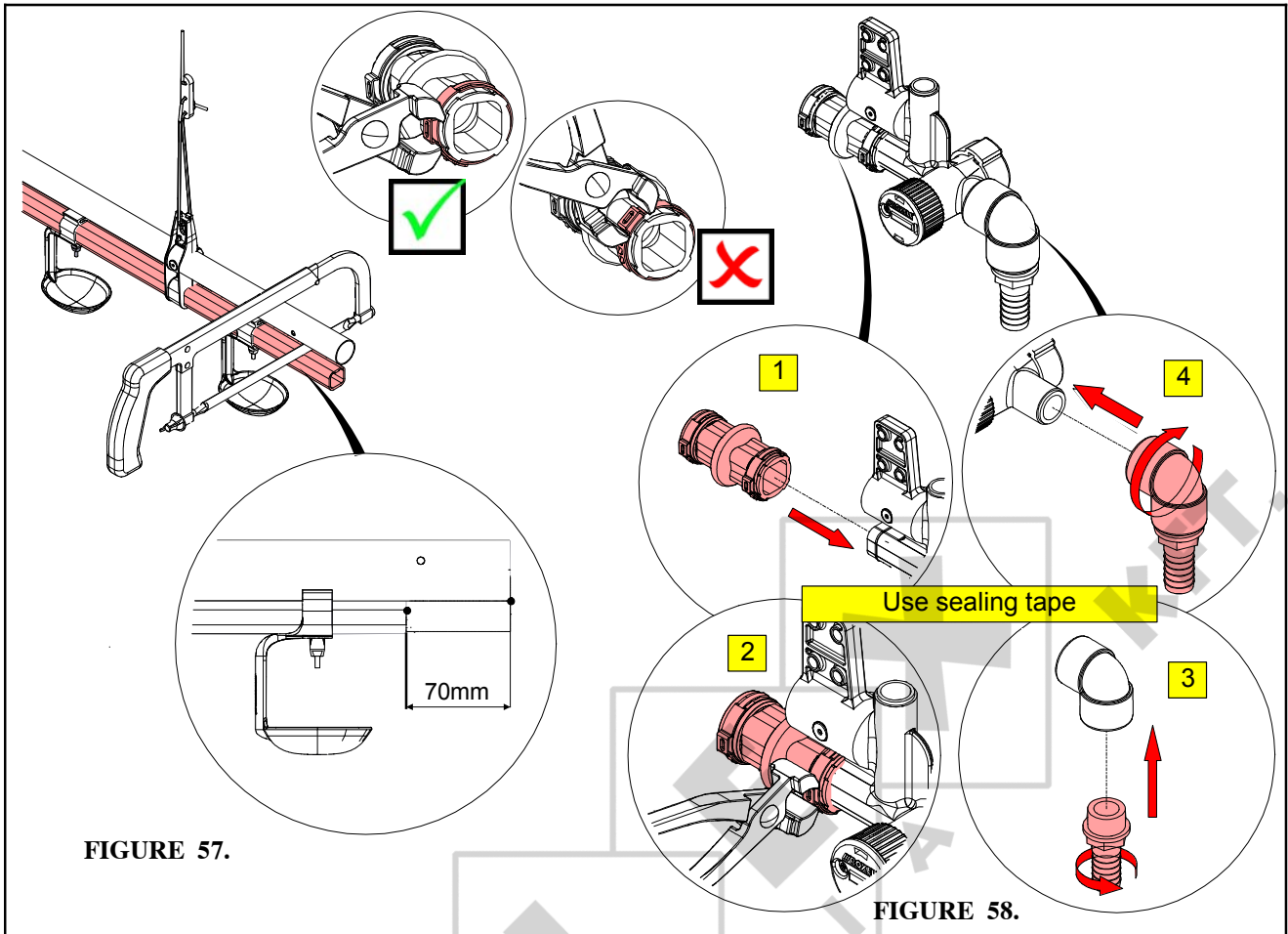


FIGURE 57.

FIGURE 58.

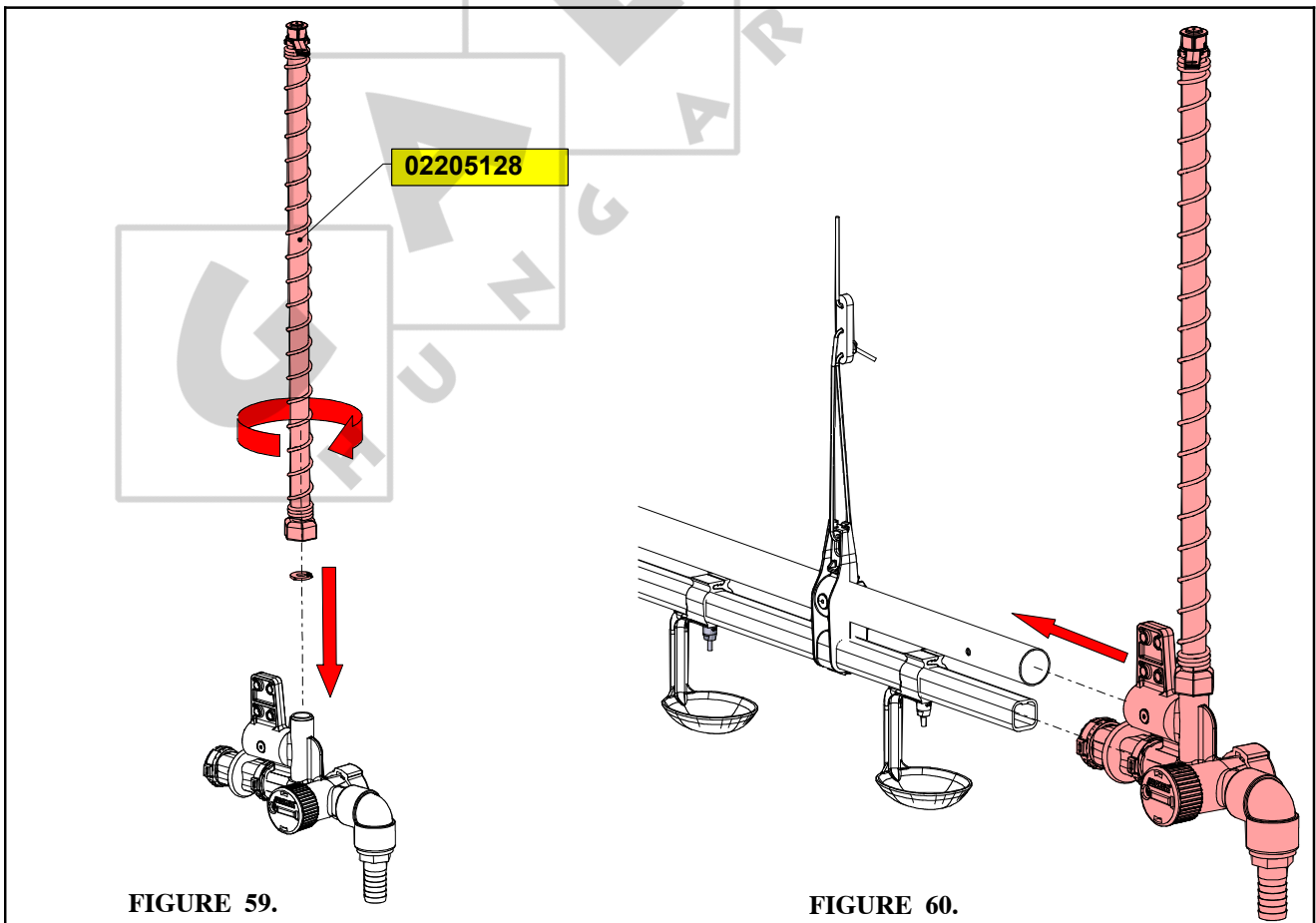
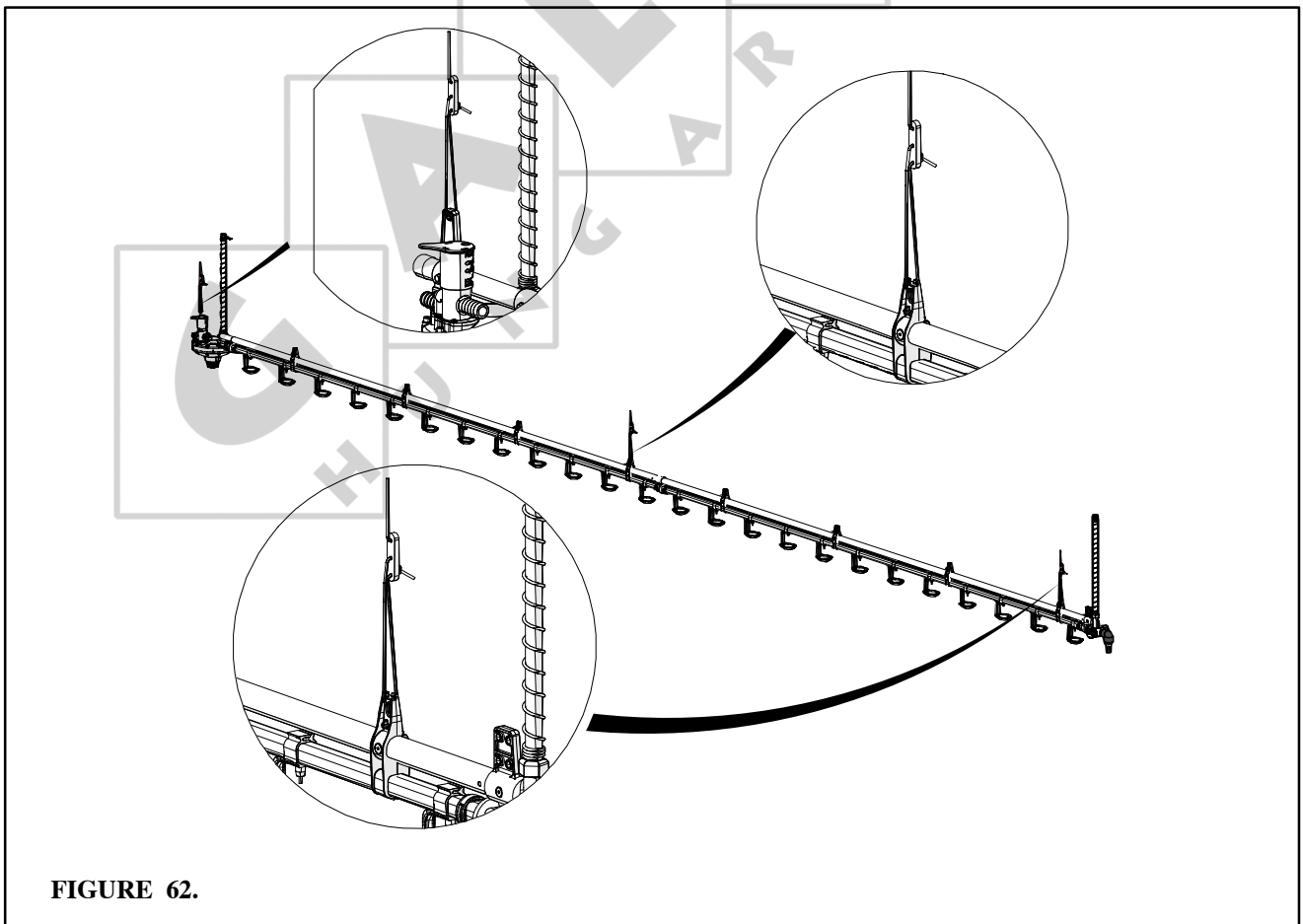
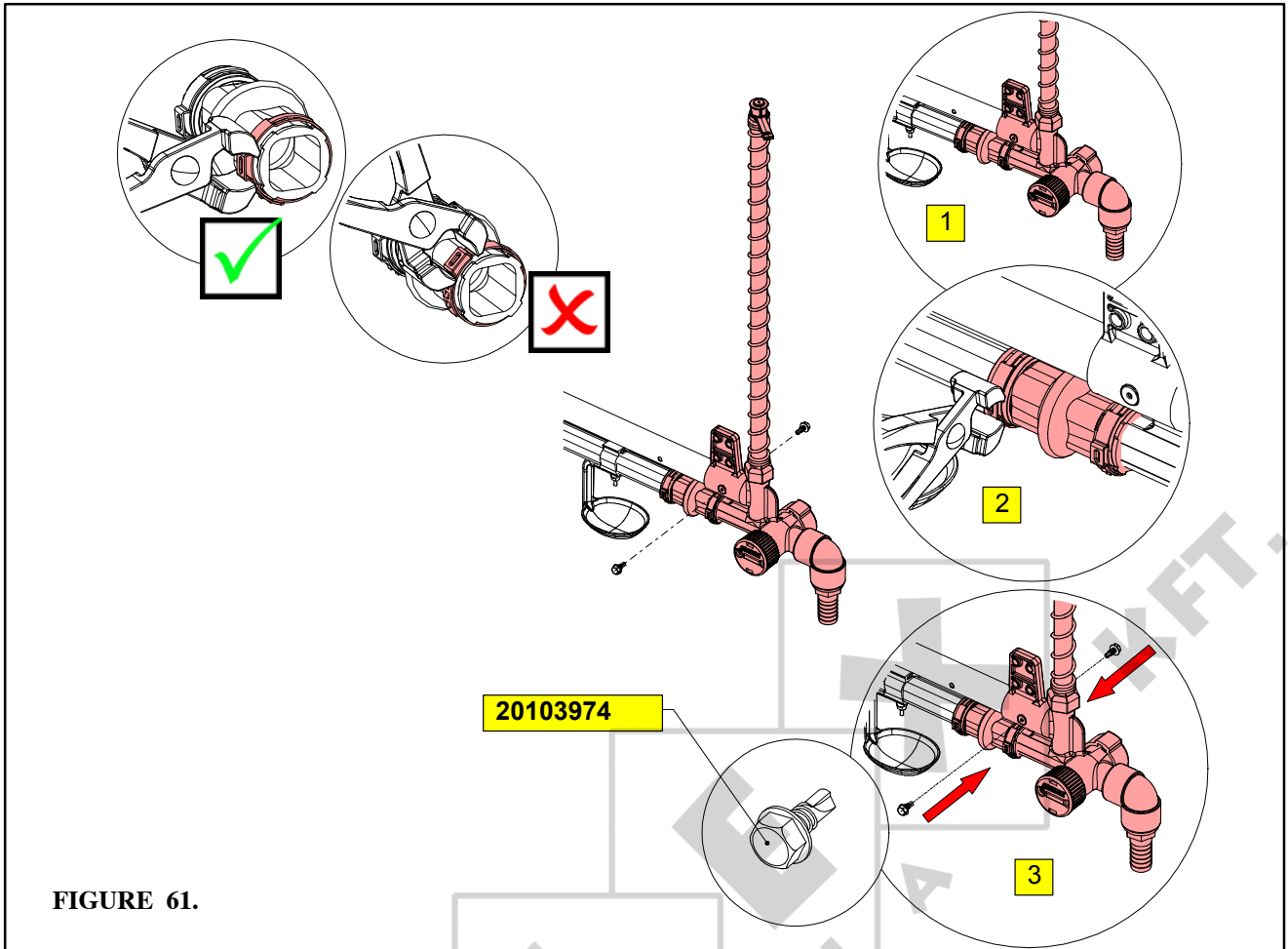
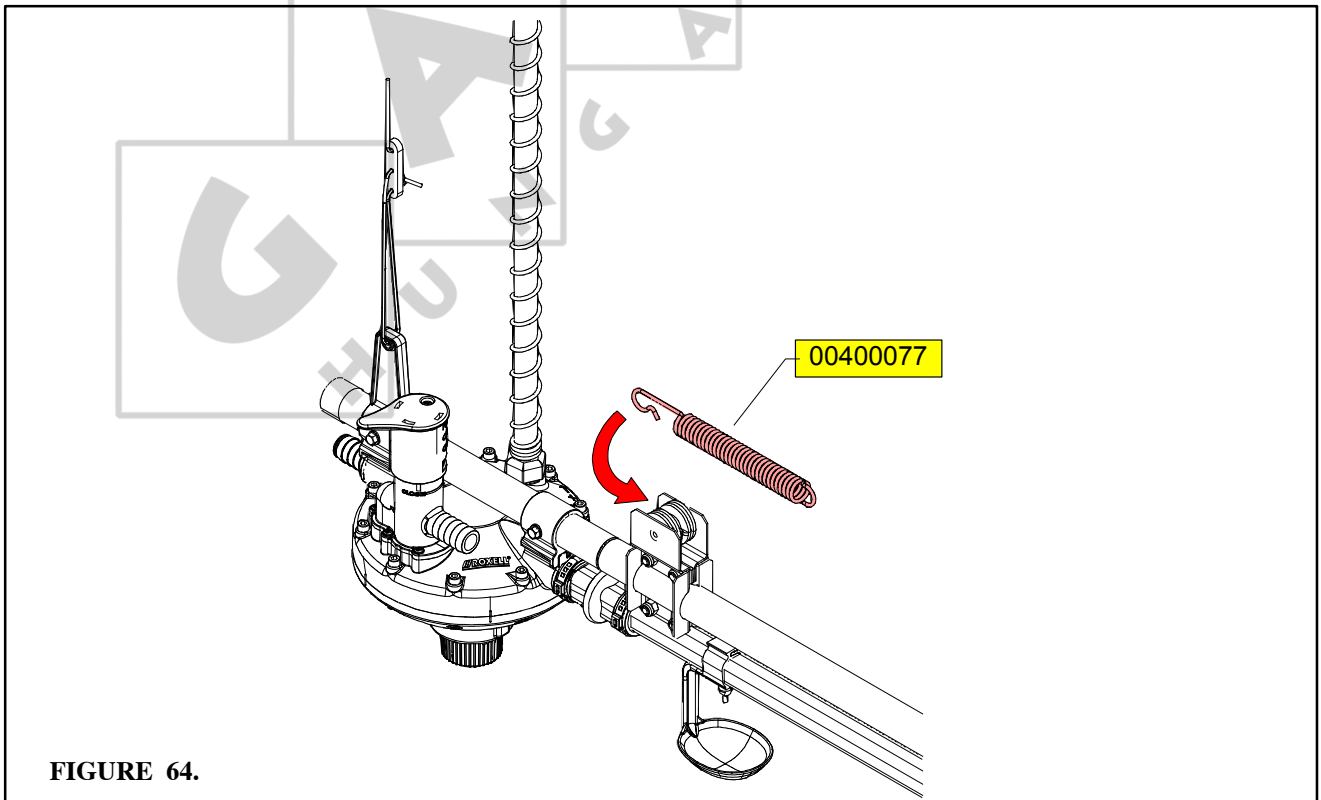
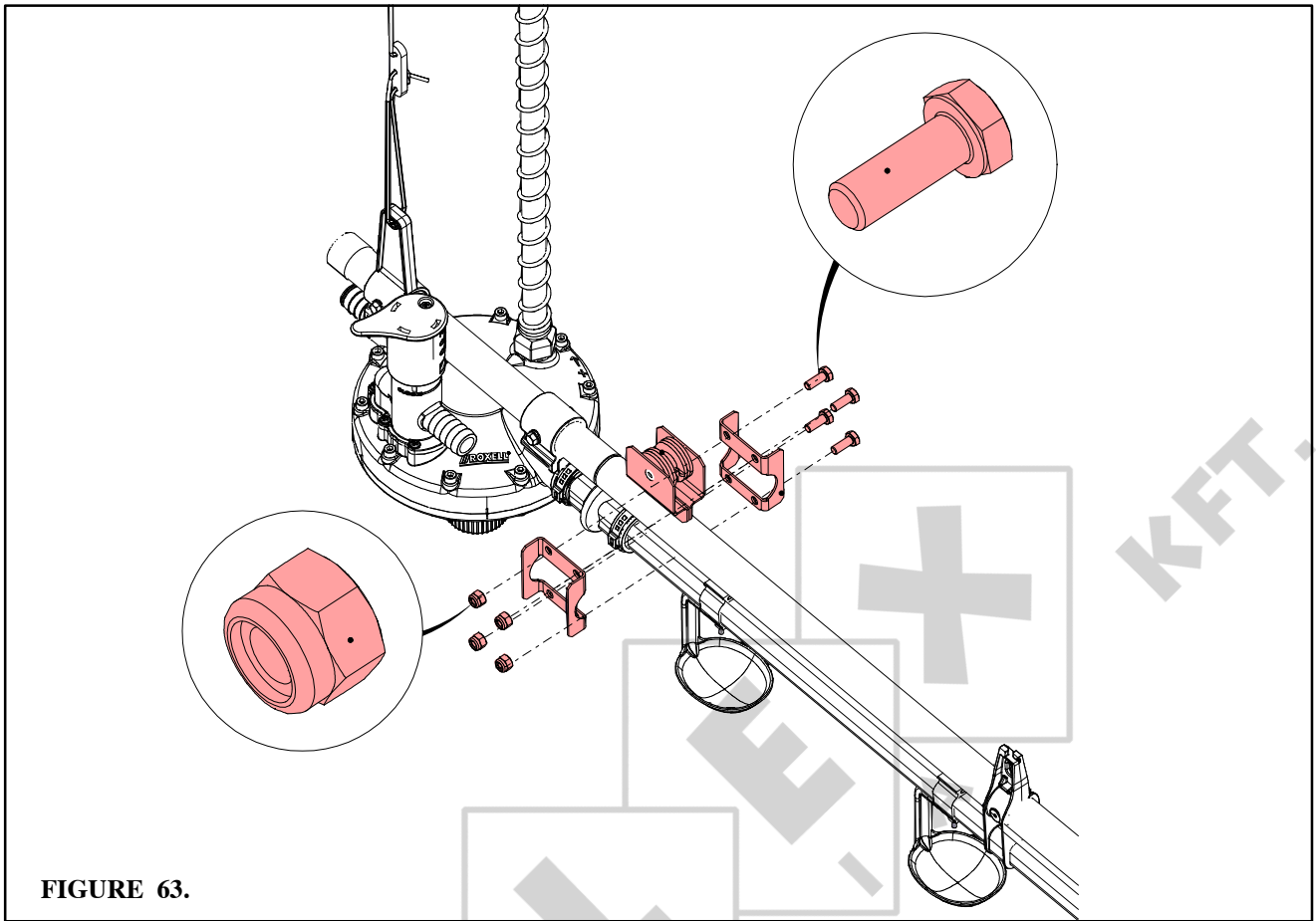


FIGURE 59.

FIGURE 60.



TO INSTALL THE POULTRY PERCH GUARD



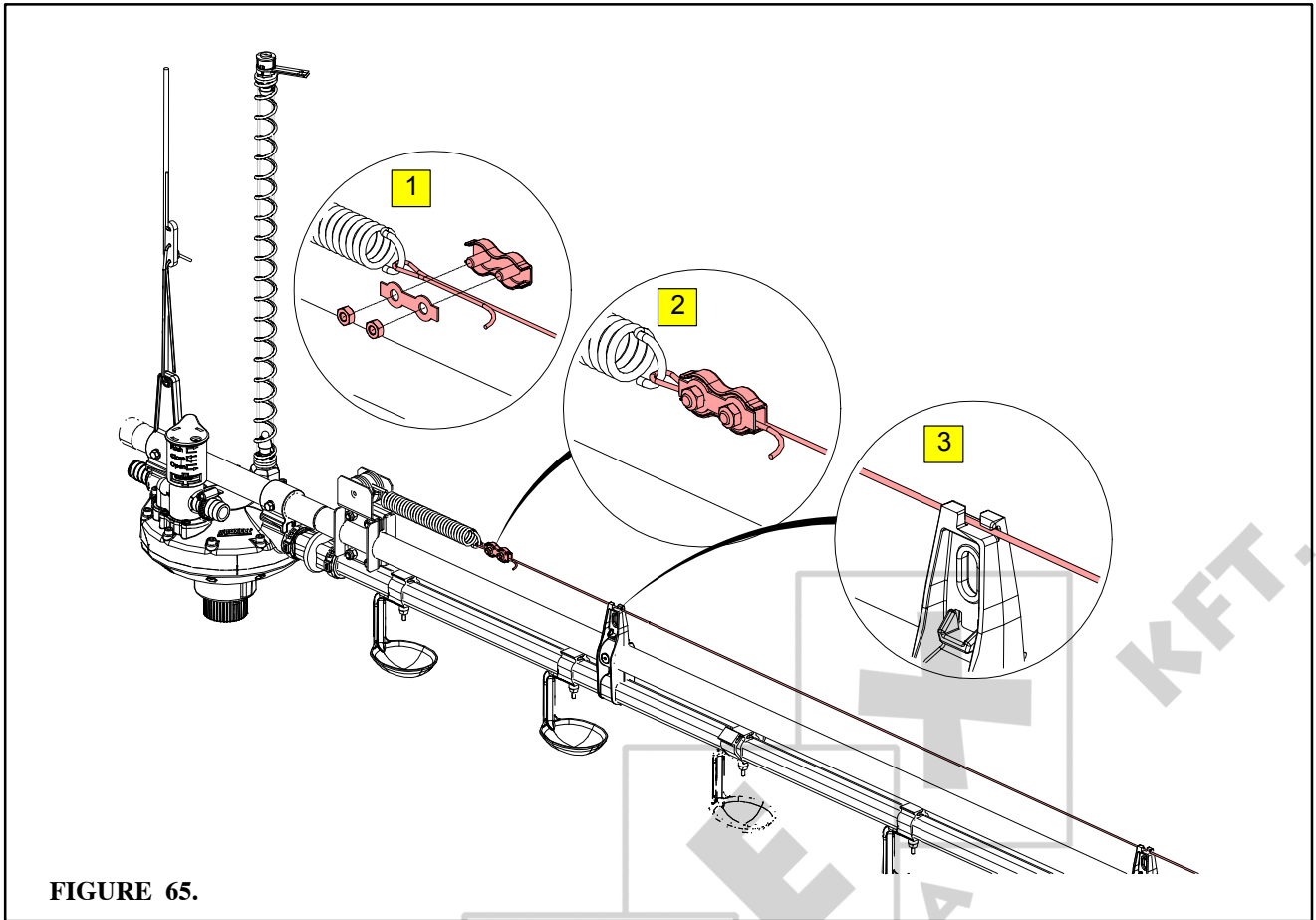


FIGURE 65.

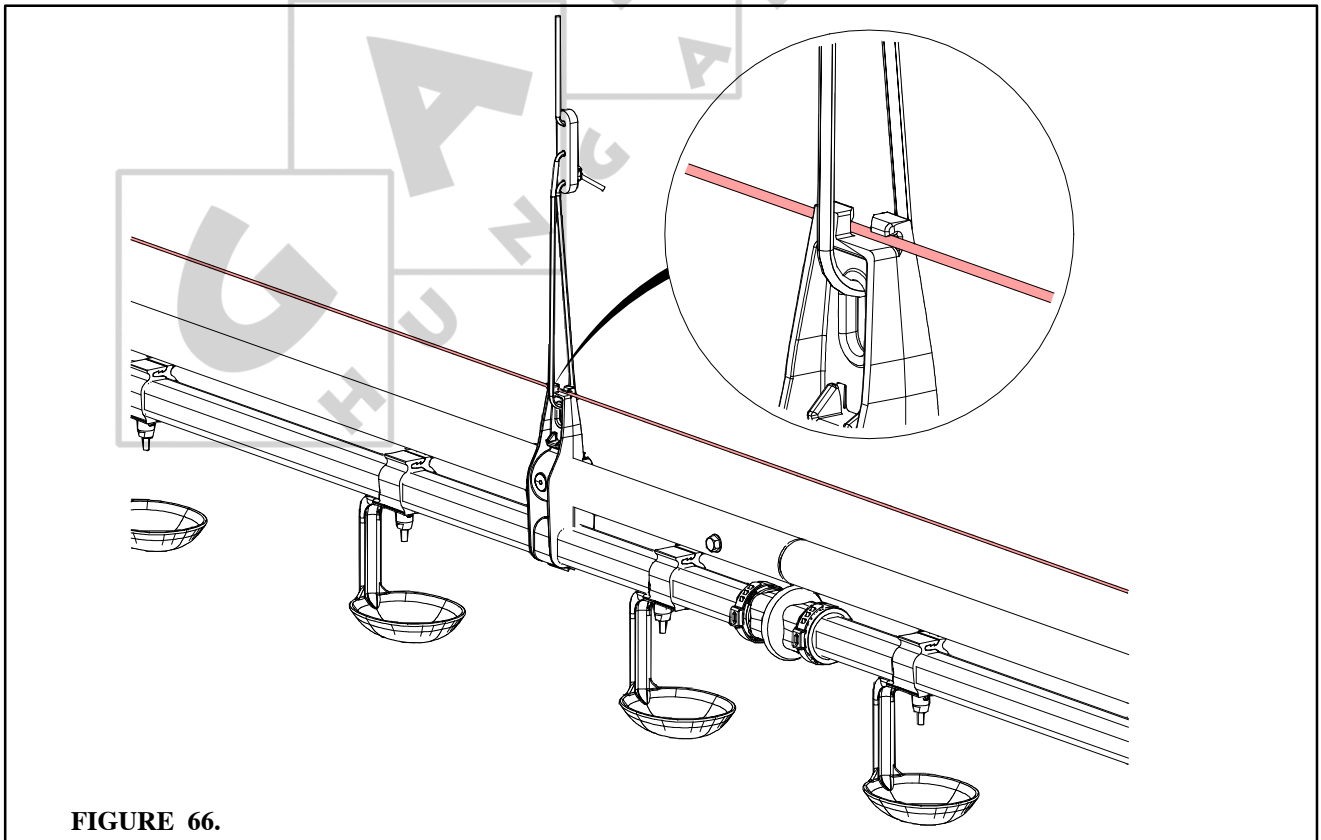
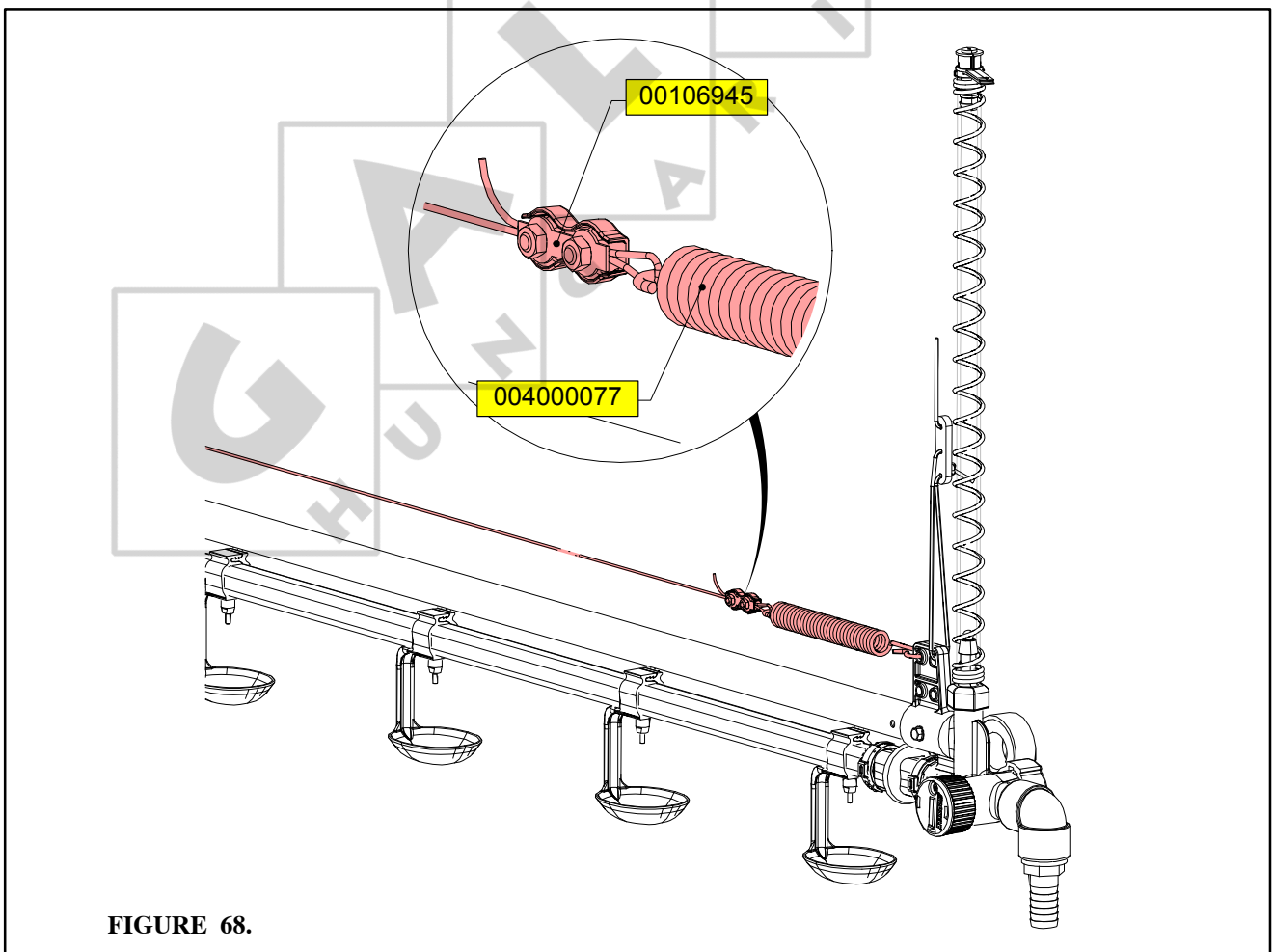
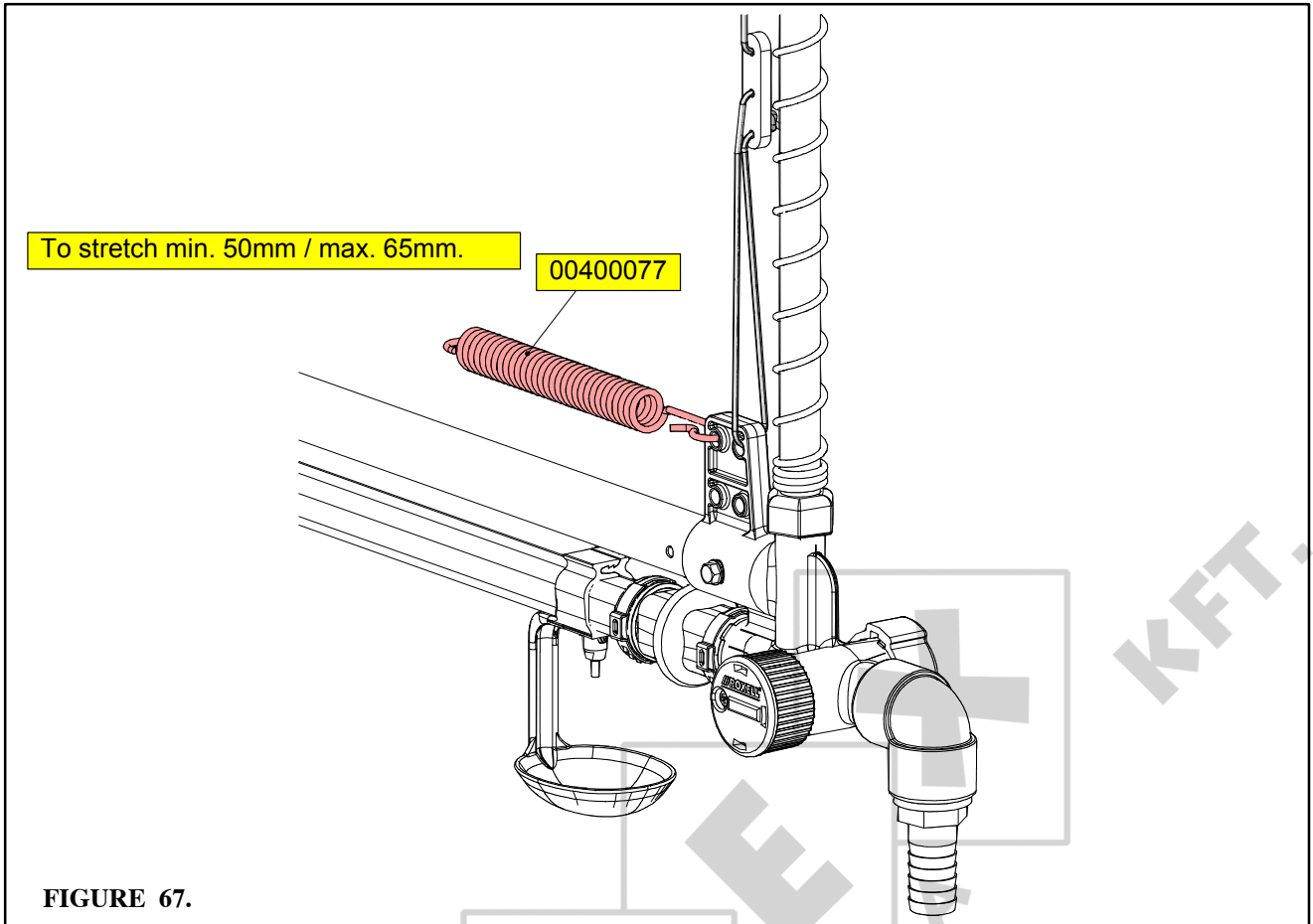


FIGURE 66.



TO CONNECT THE CABLE OF THE POULTRY PERCH GUARD

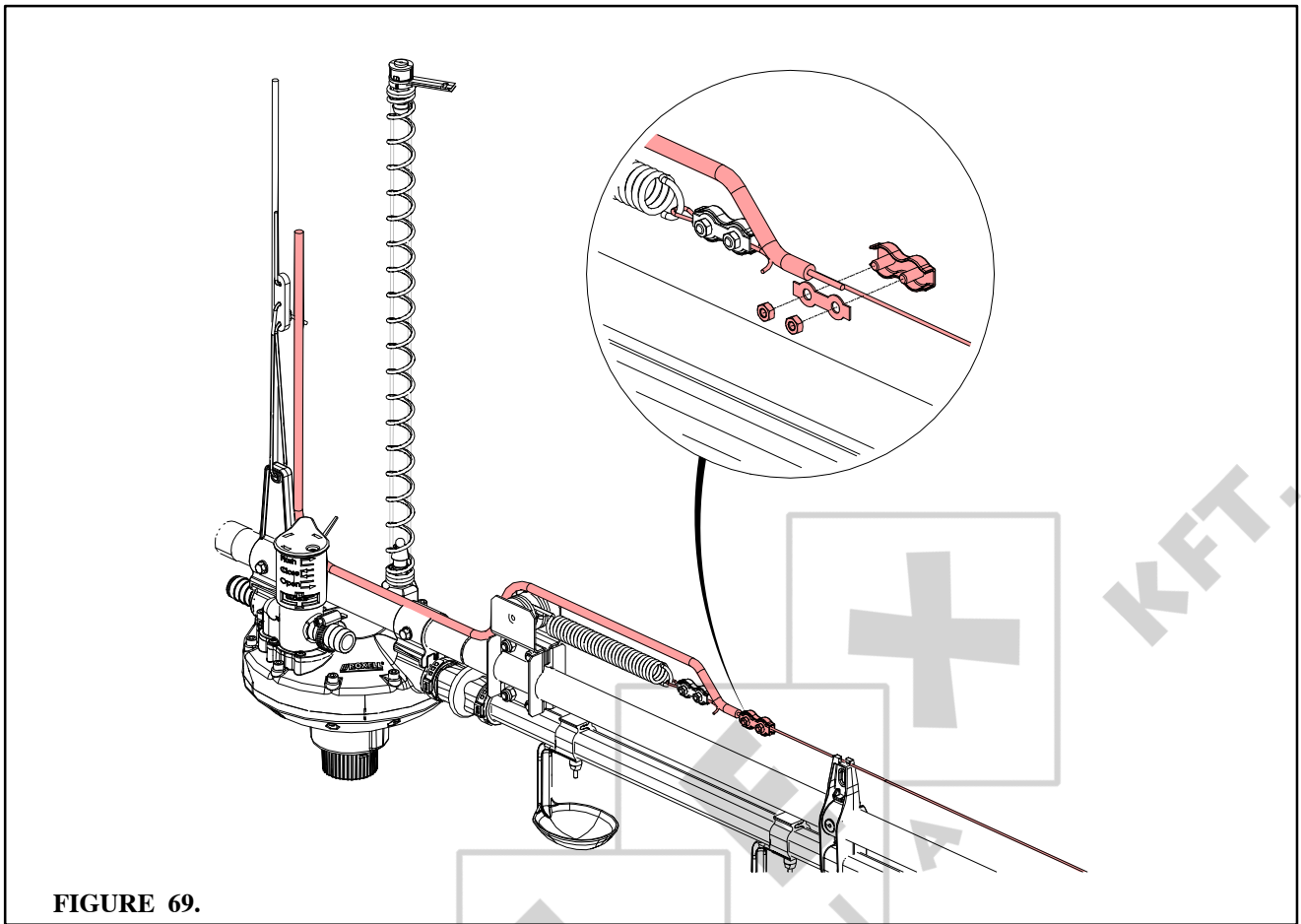


FIGURE 69.

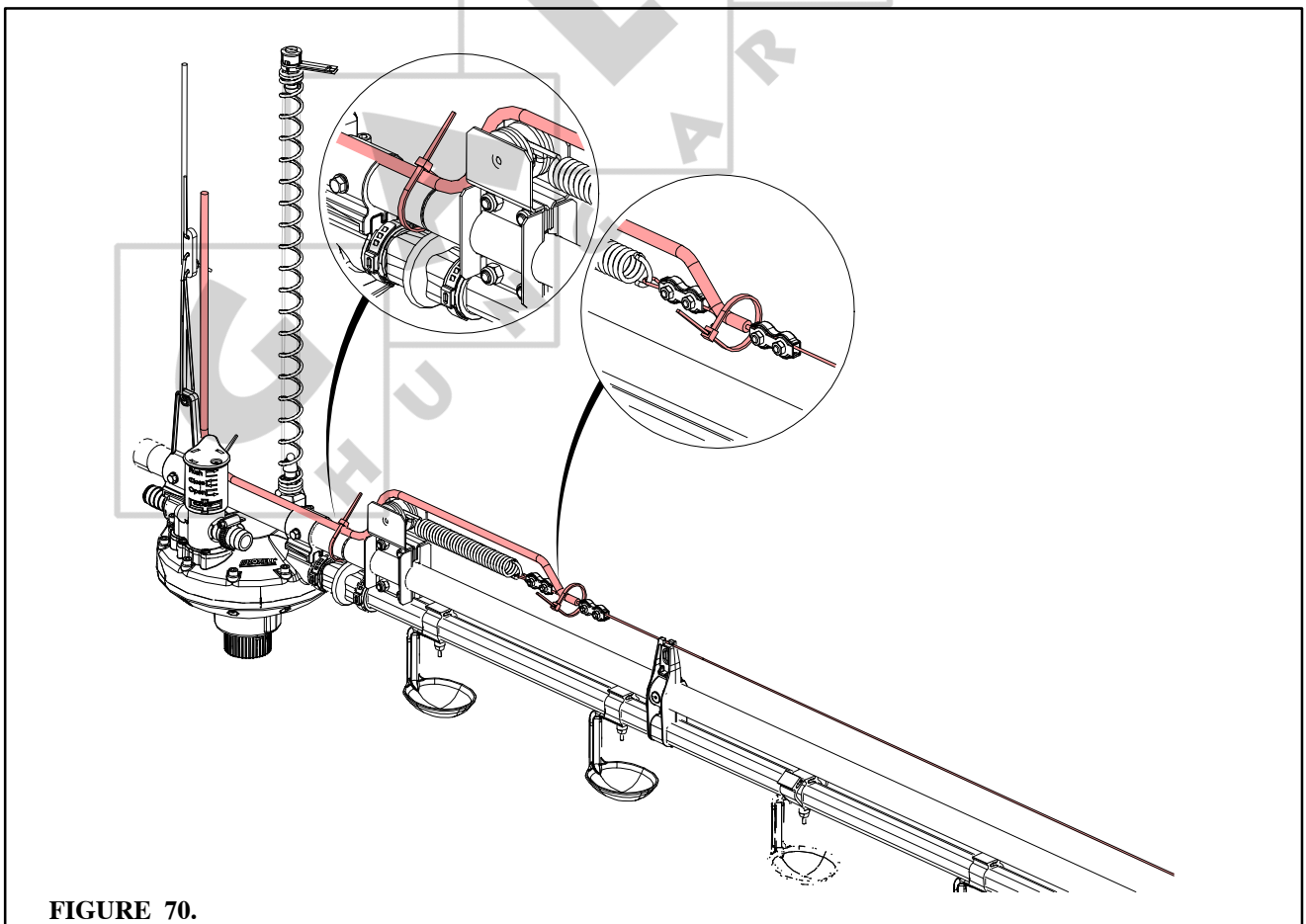
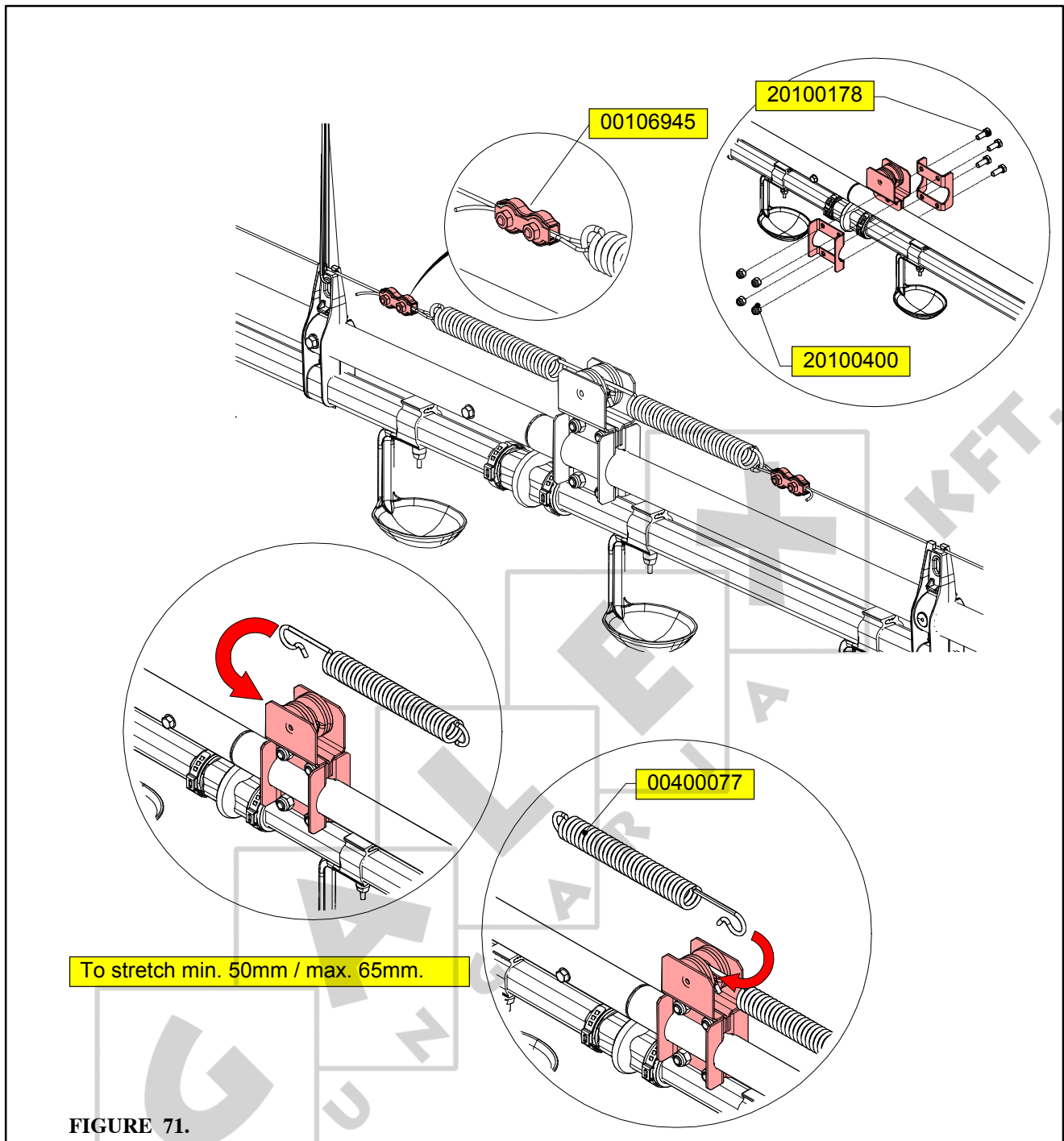


FIGURE 70.

TO DIVIDE THE CABLE FOR LINES LONGER THAN 50 M



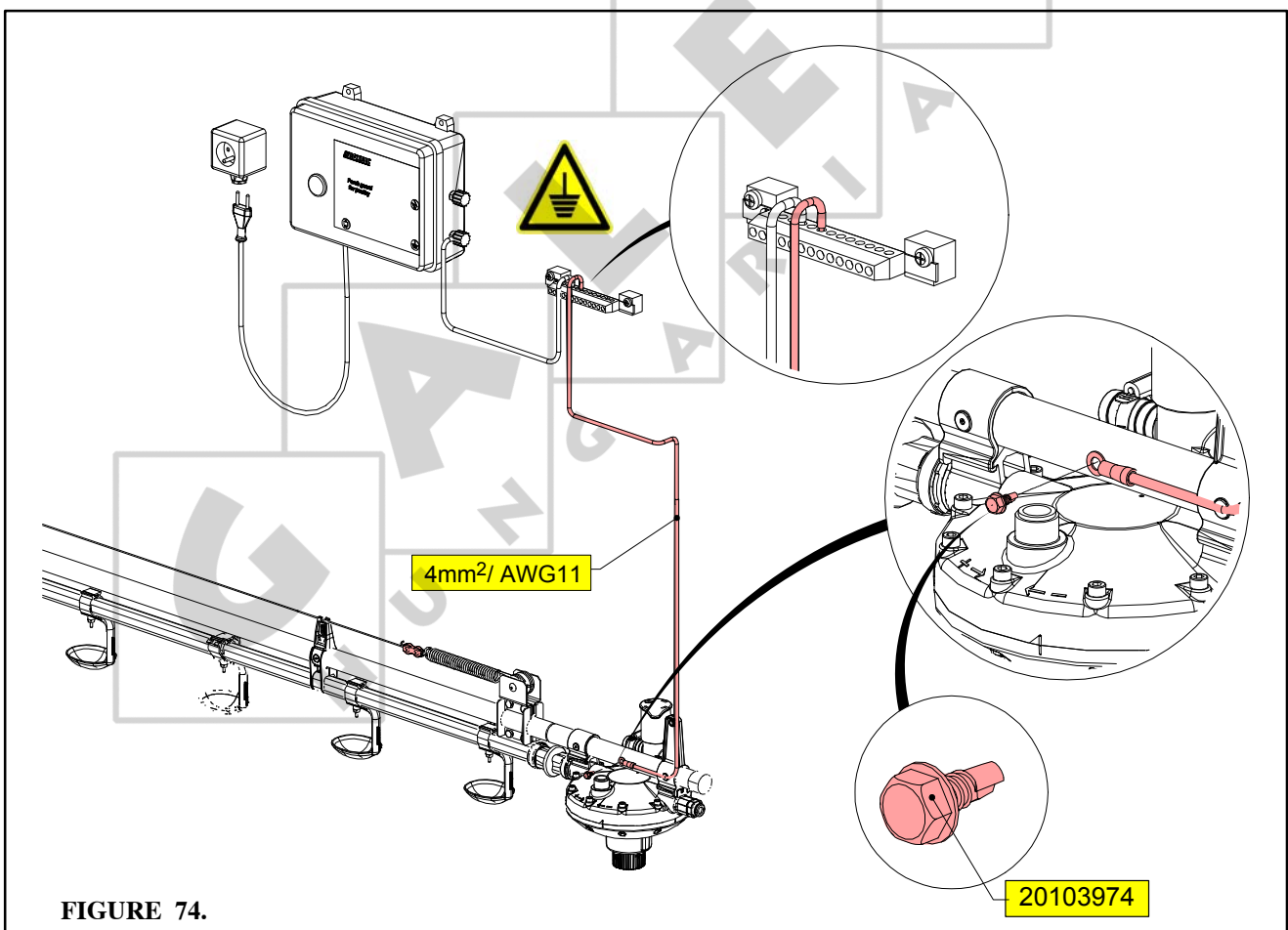
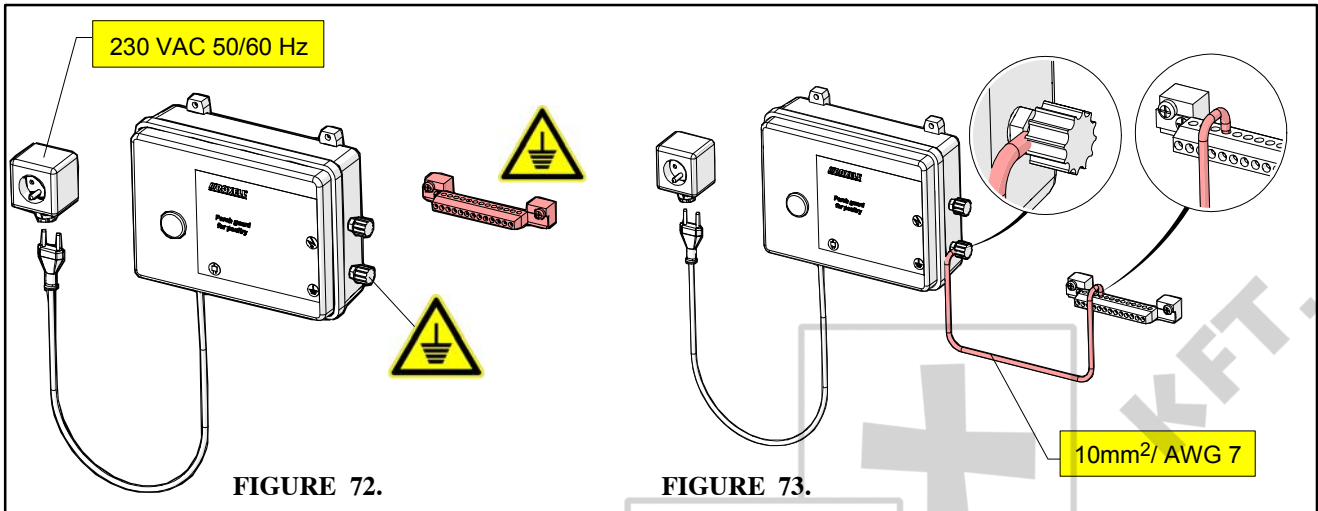
TO CONNECT THE POULTRY PERCH GUARD

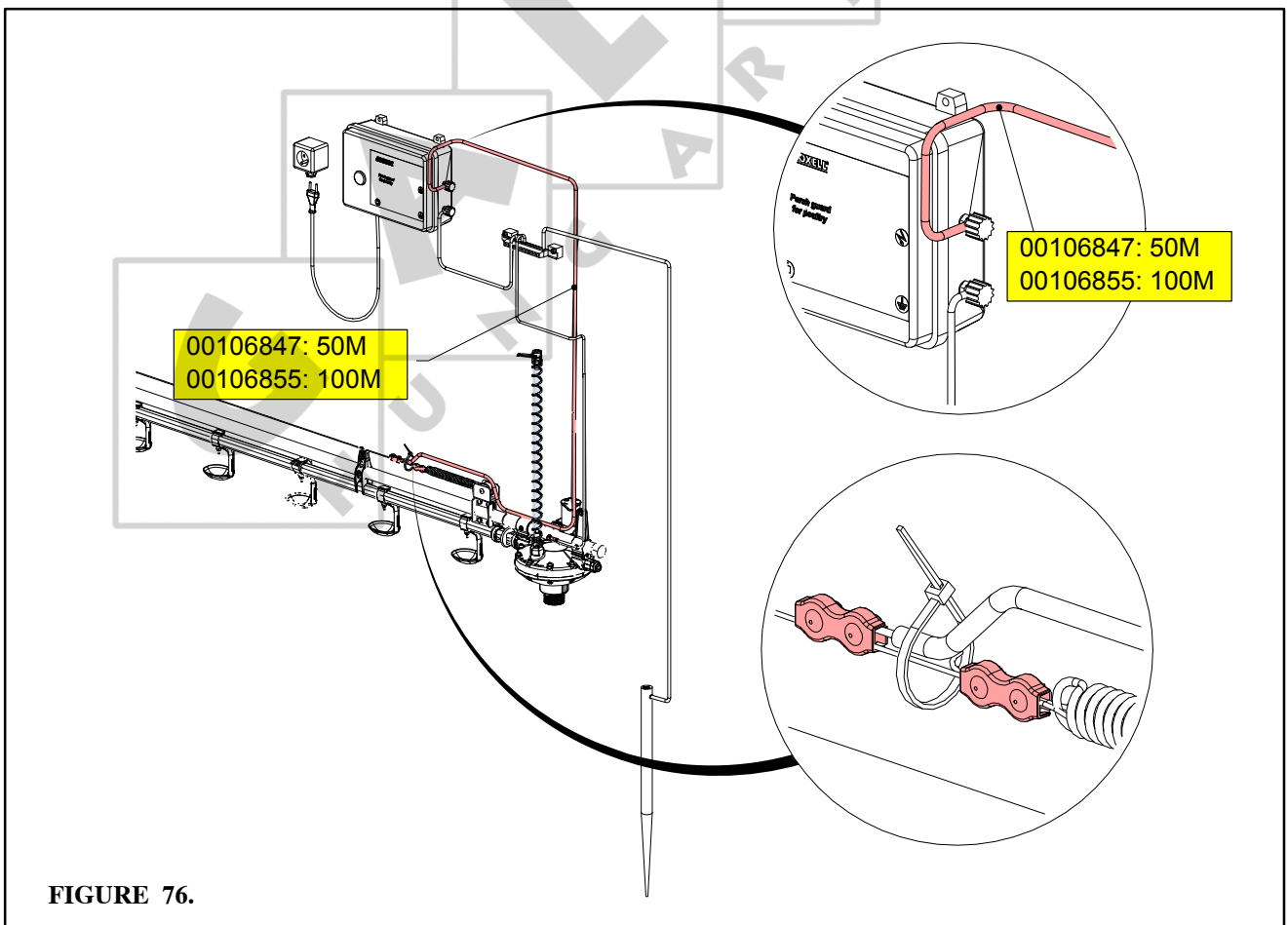
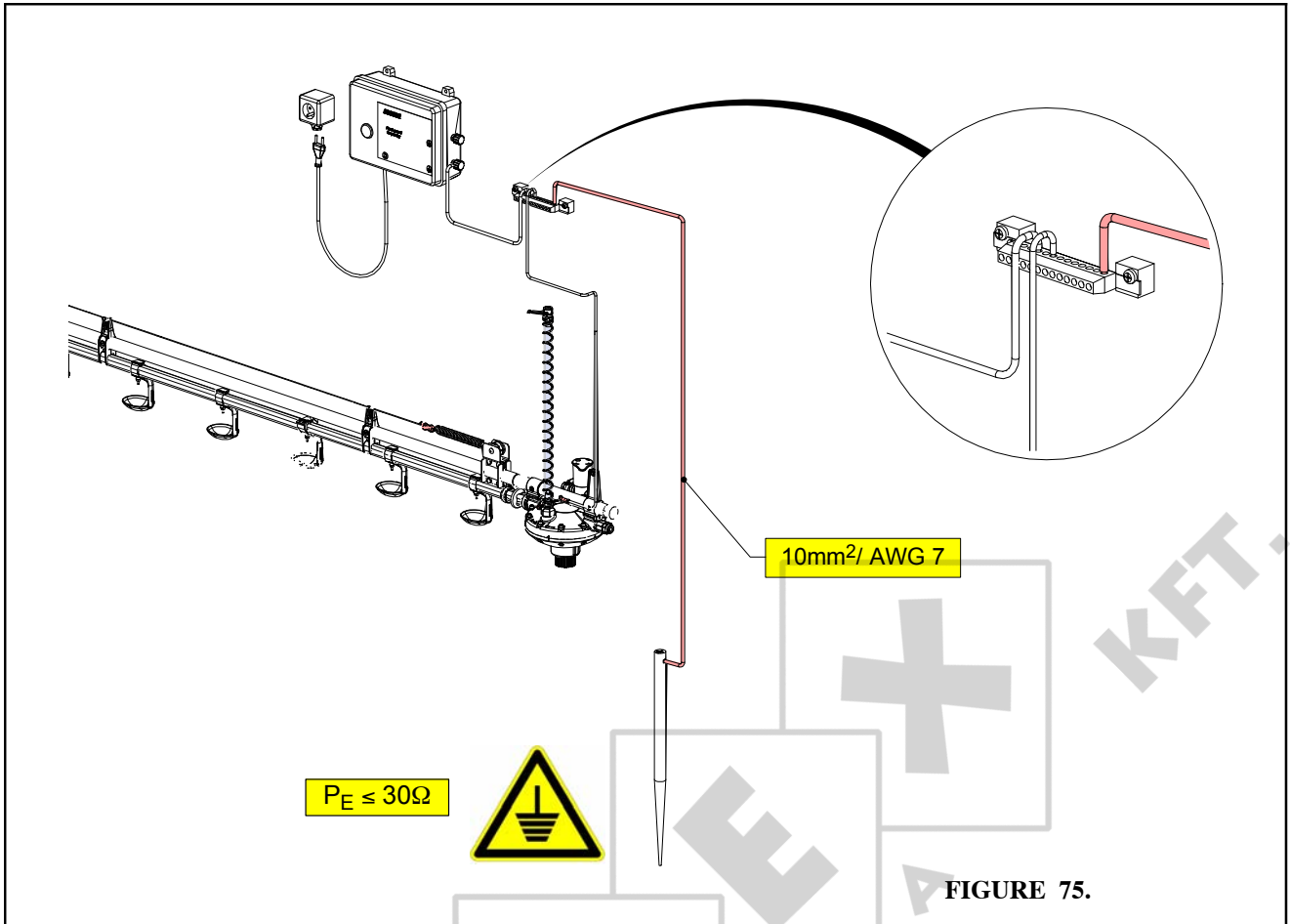


The poultry perch guard and the suspension tube of the drinking line must be earthed !!!

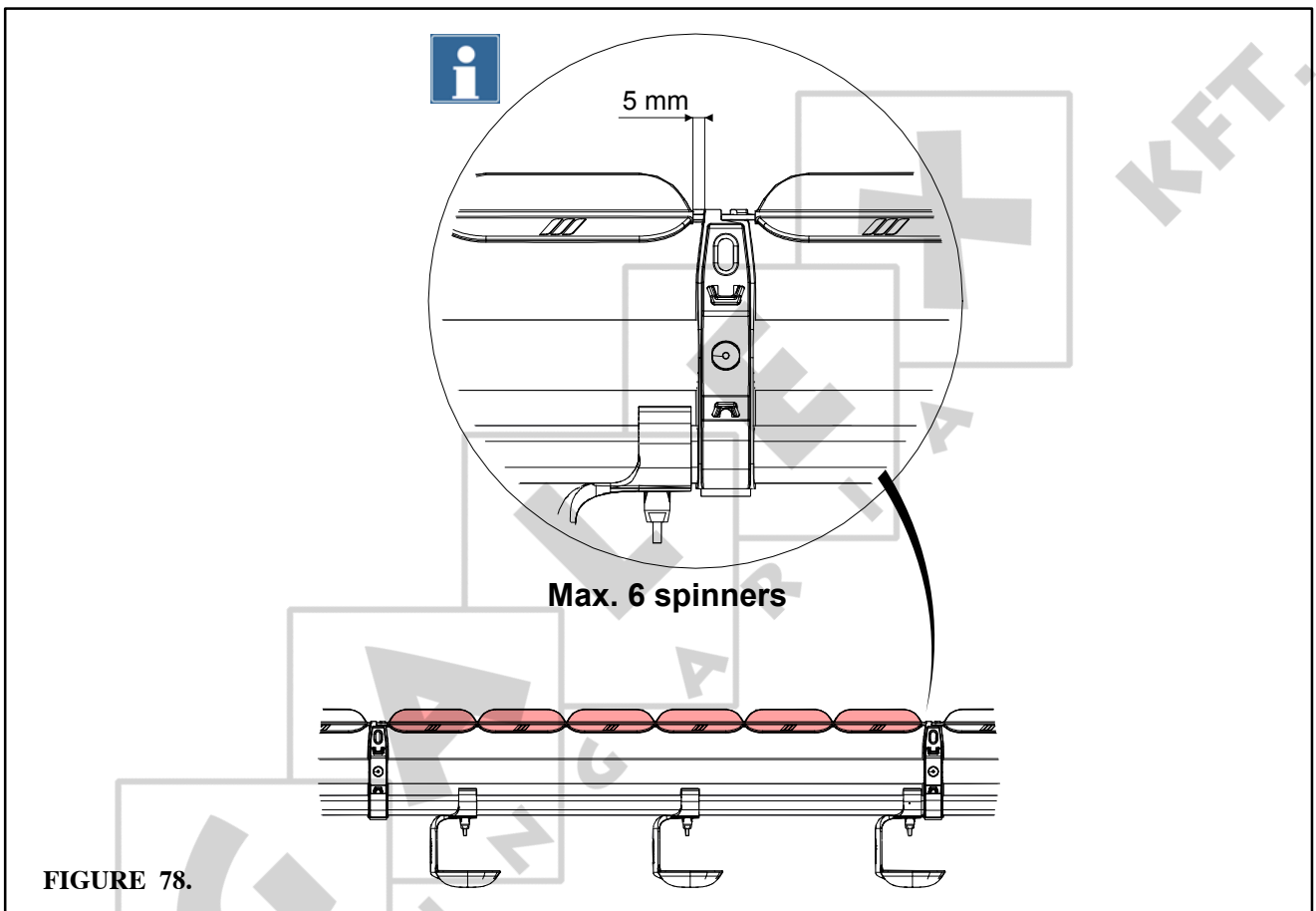
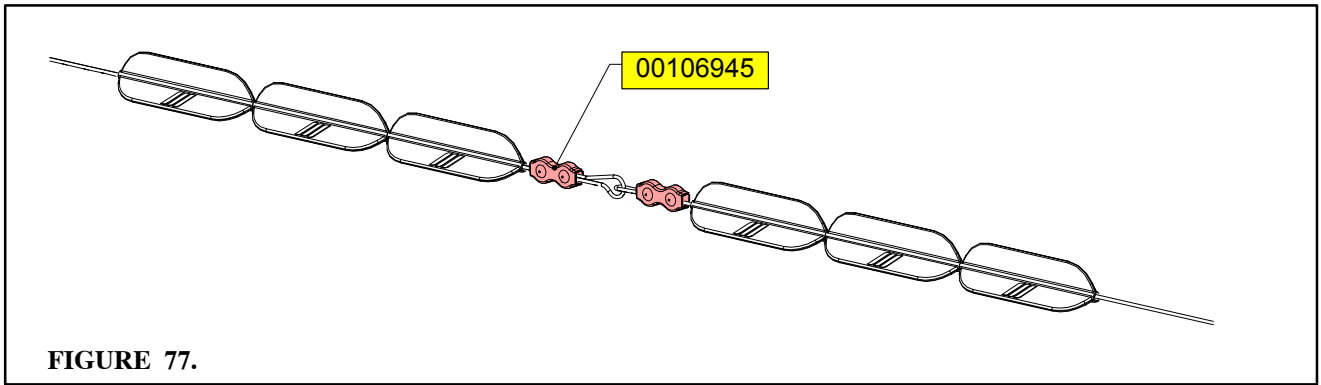


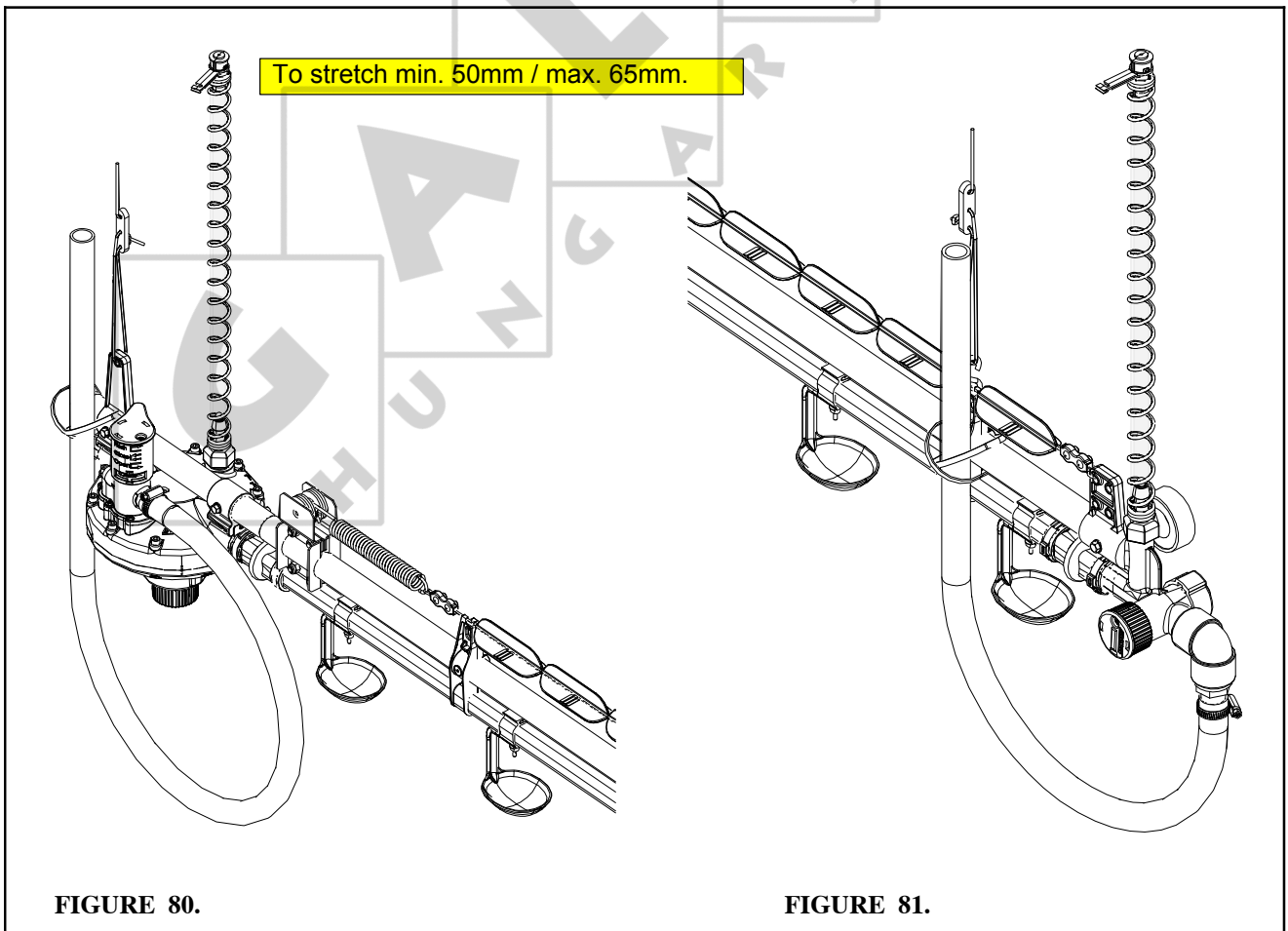
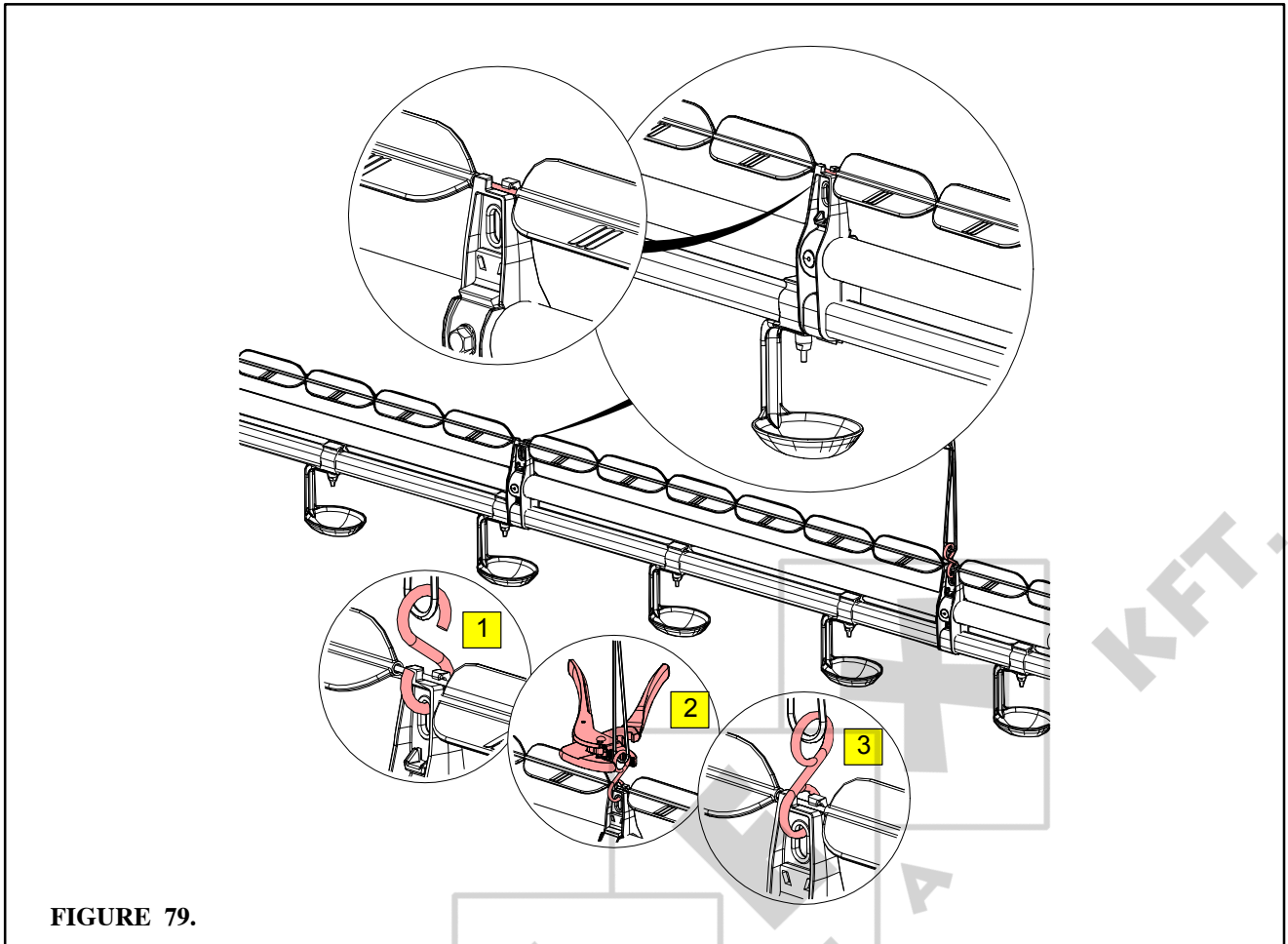
DANGER



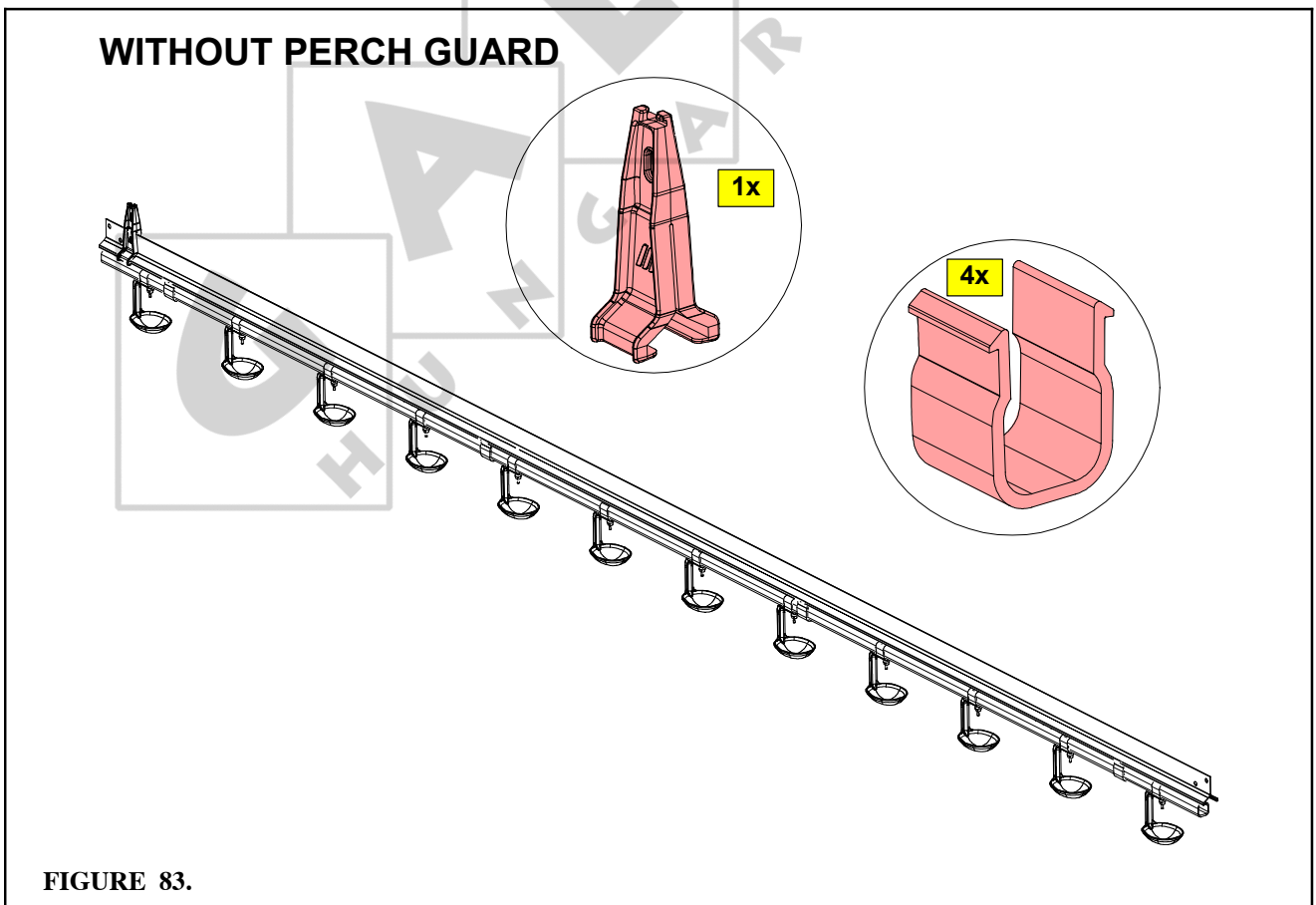
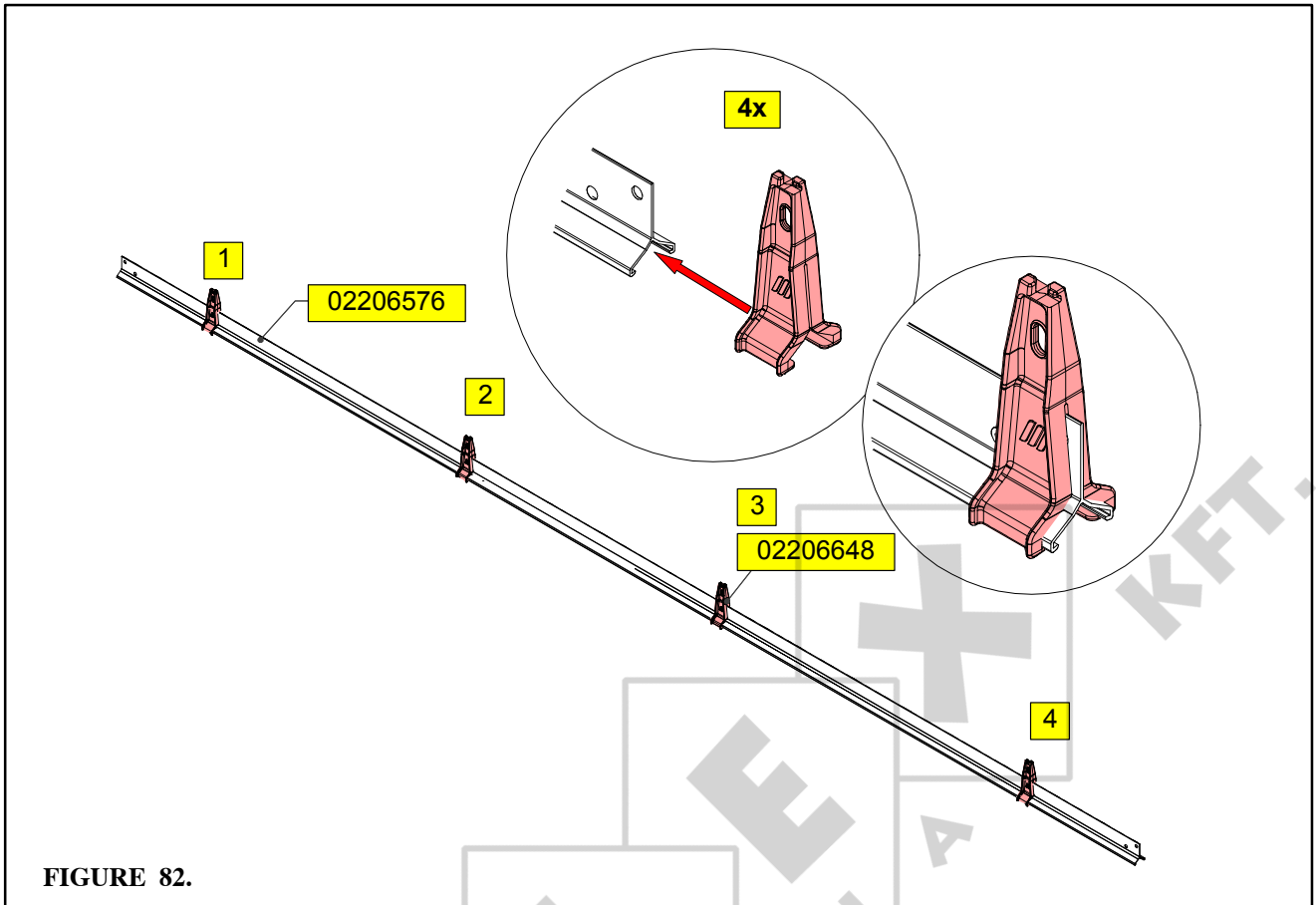


OPTION: SPIN SOFT





TO INSTALL THE DRINKING LINE - ALUMINIUM PROFILE



SPIN SOFT

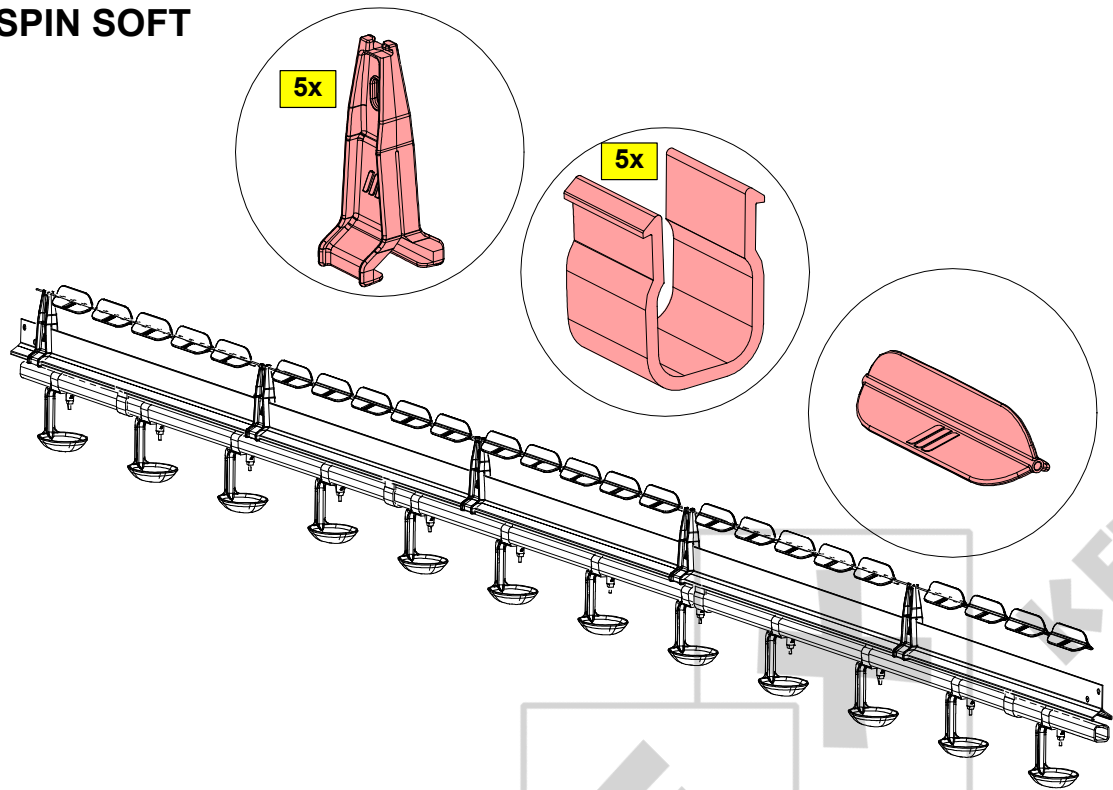


FIGURE 84.

WITH PERCH GUARD

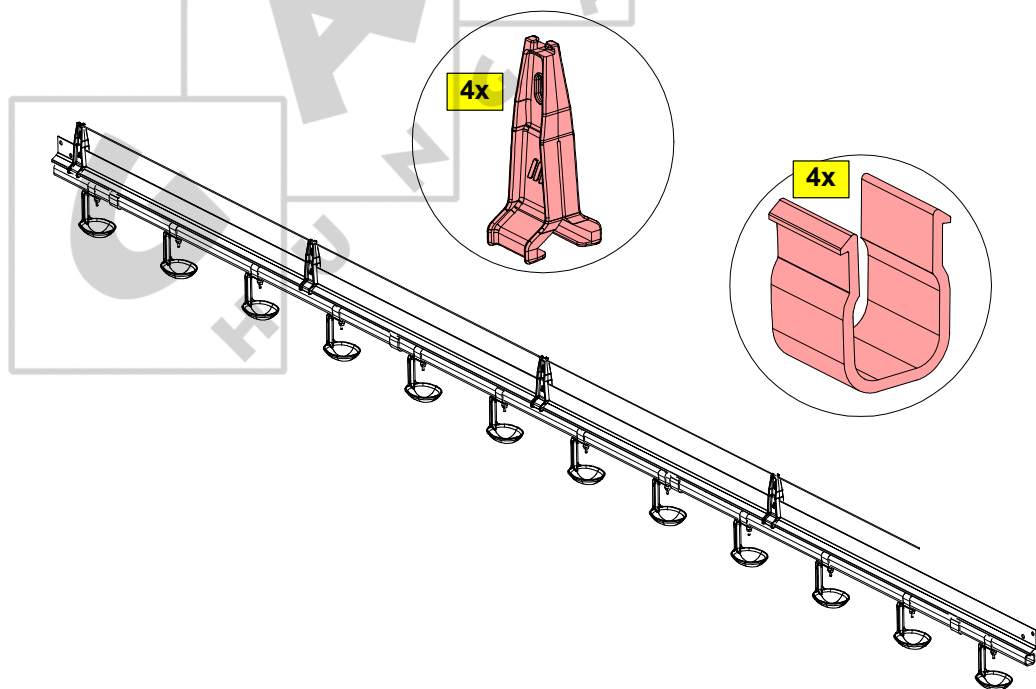
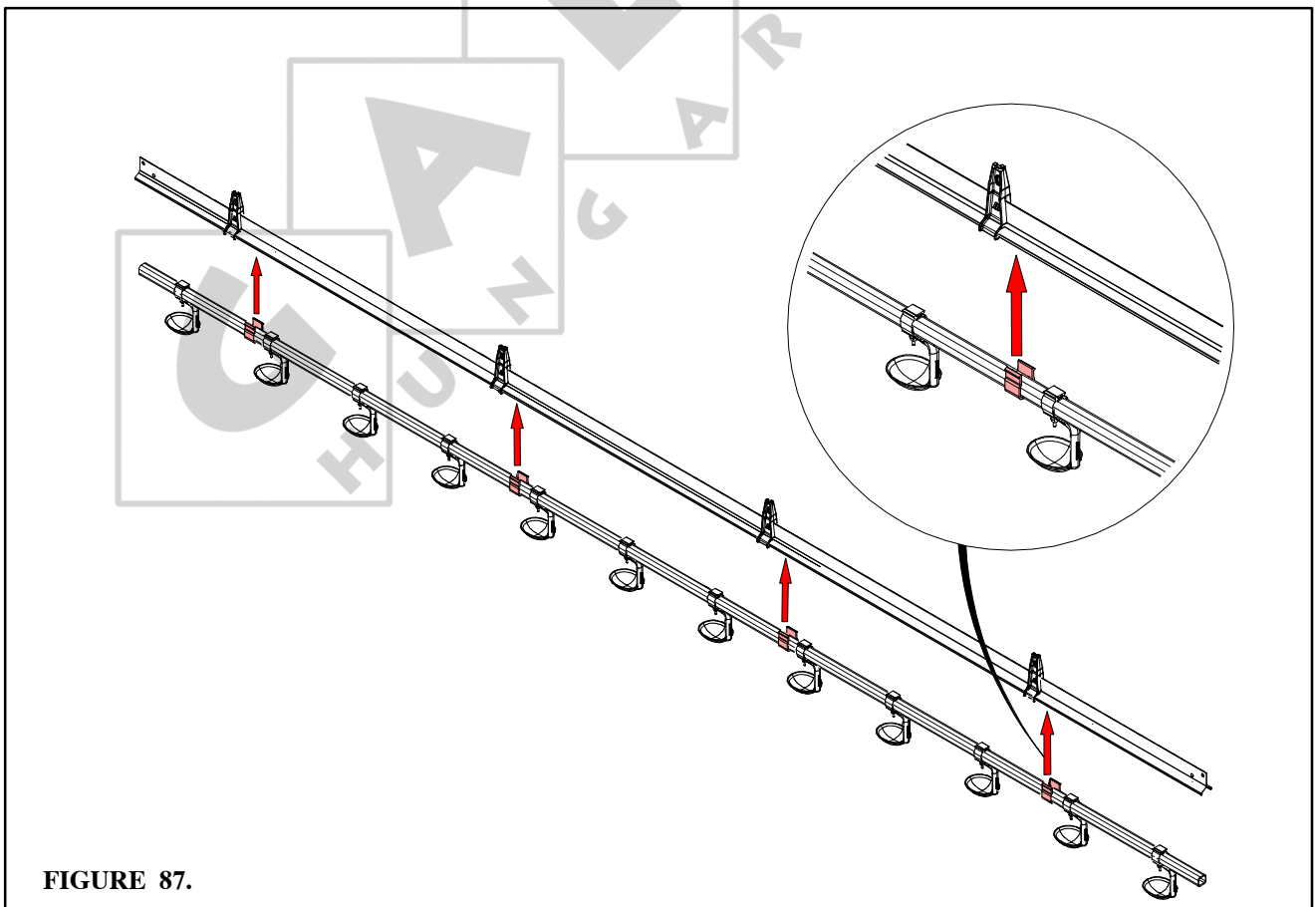
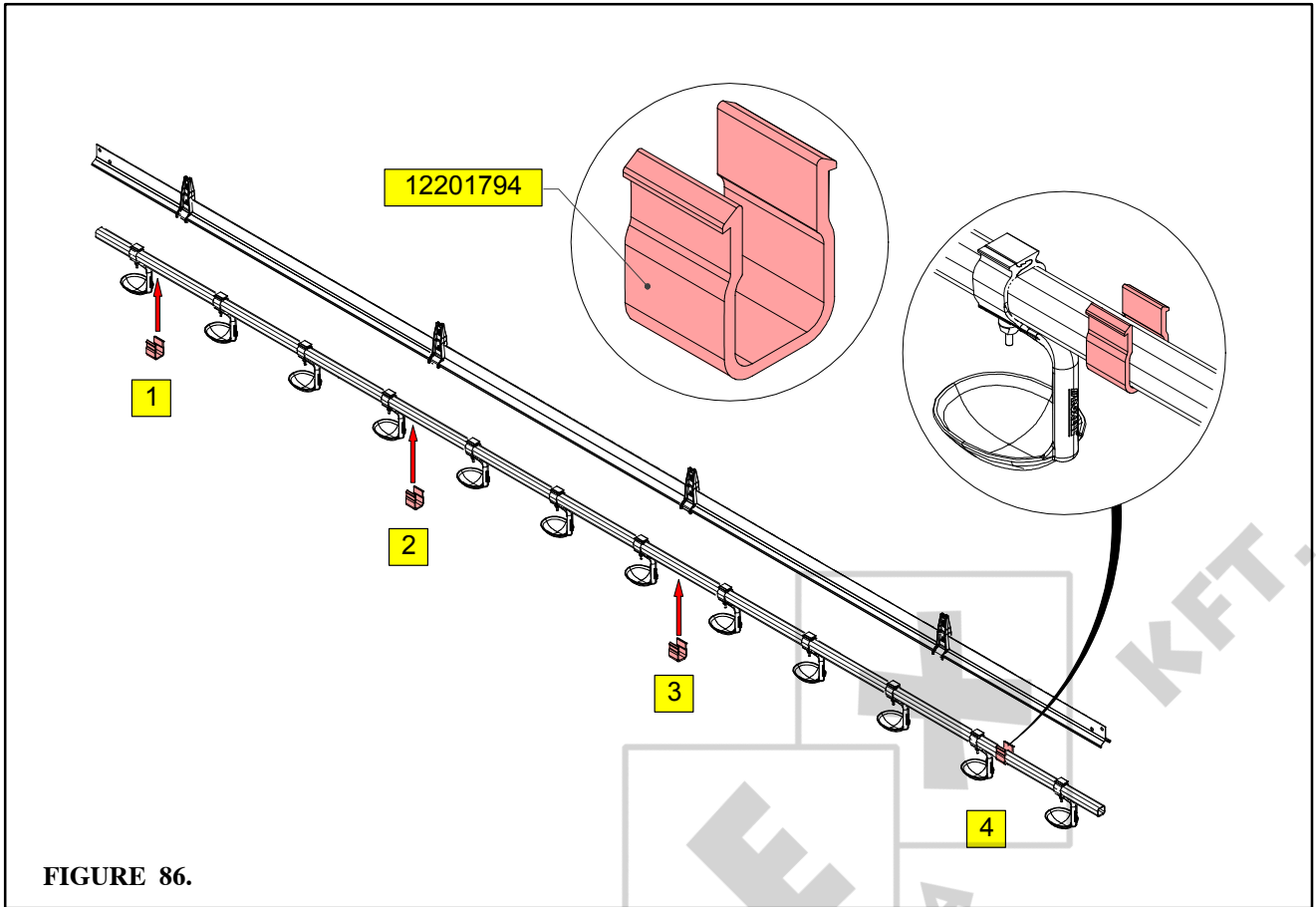


FIGURE 85.



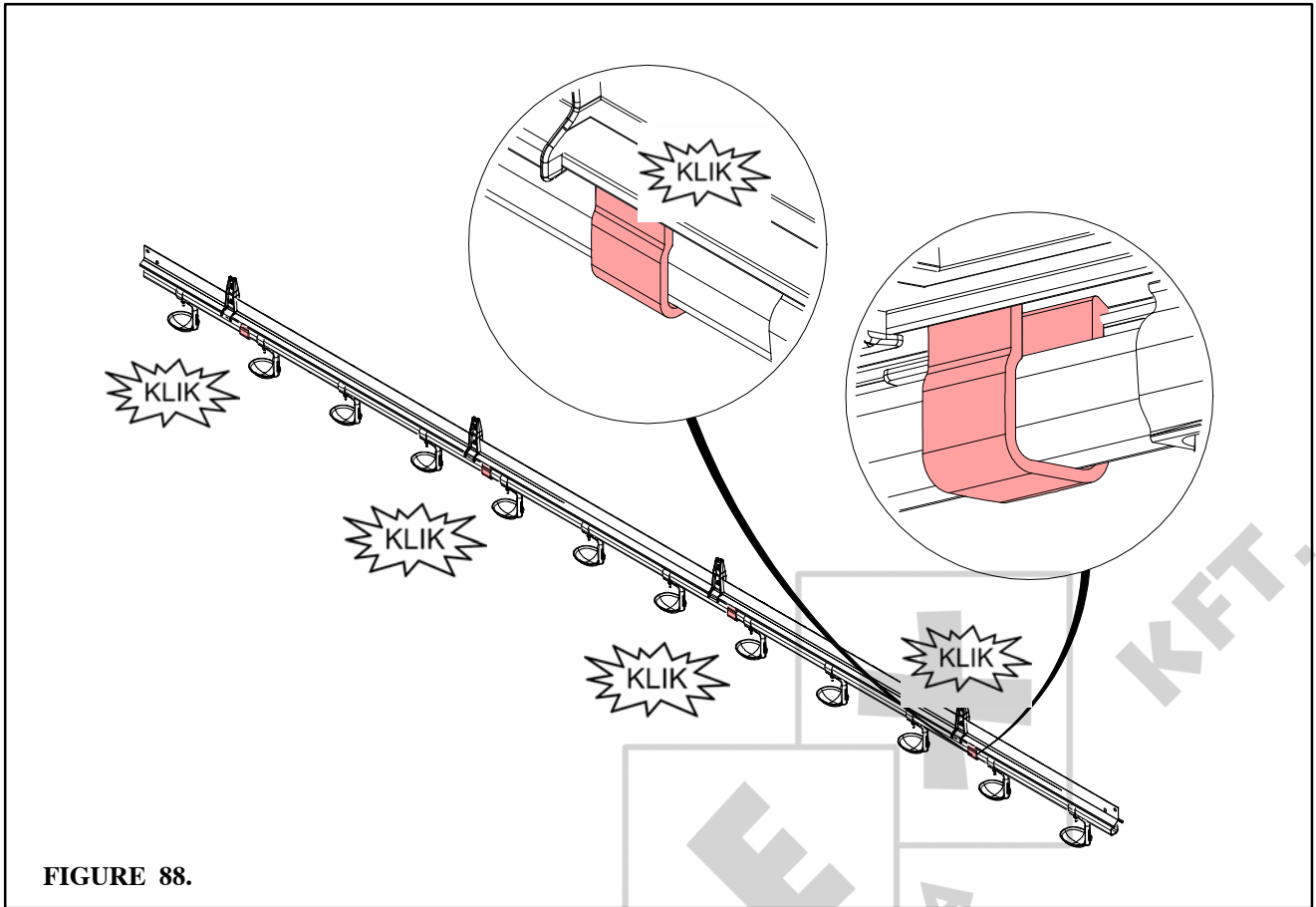


FIGURE 88.

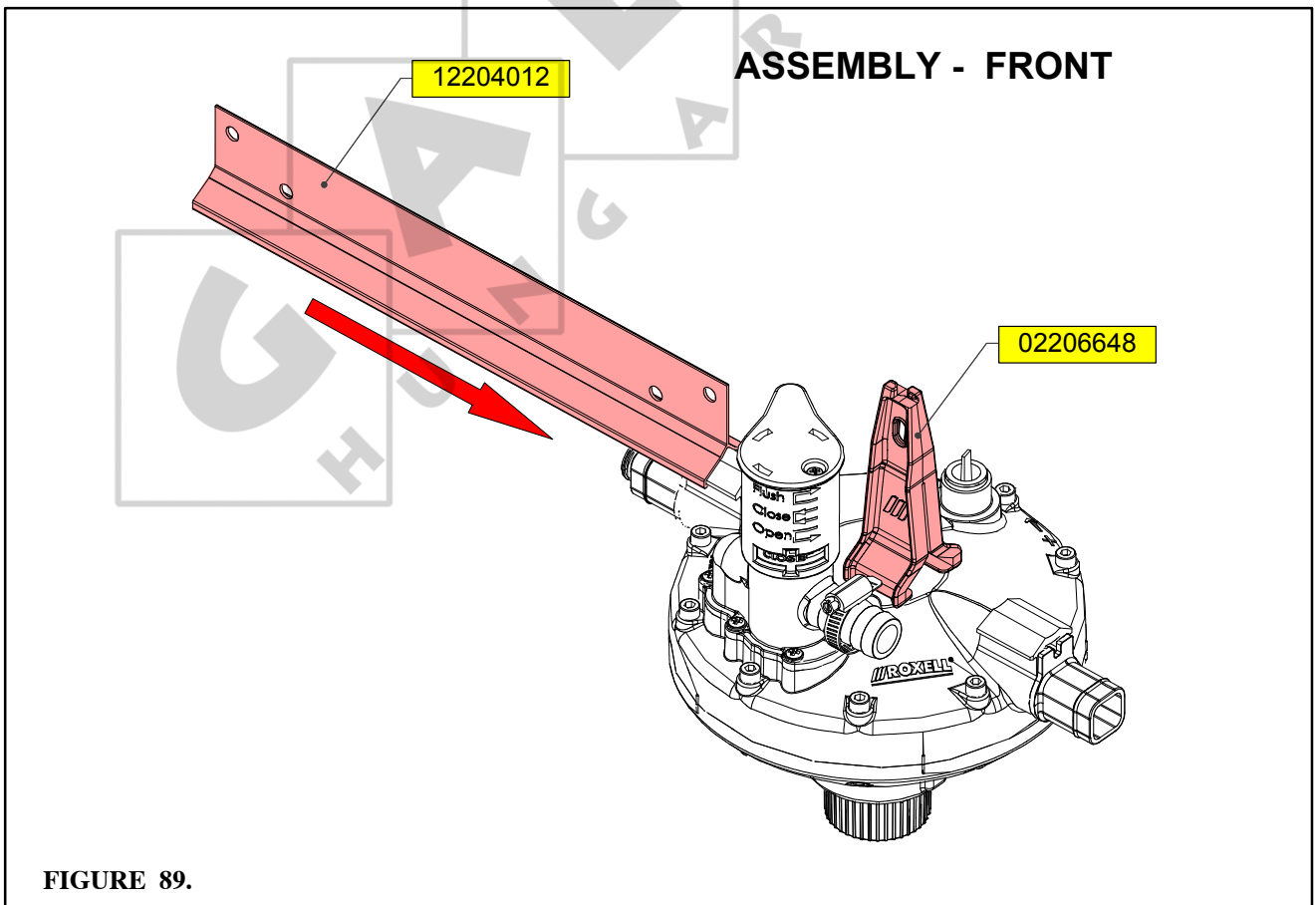


FIGURE 89.

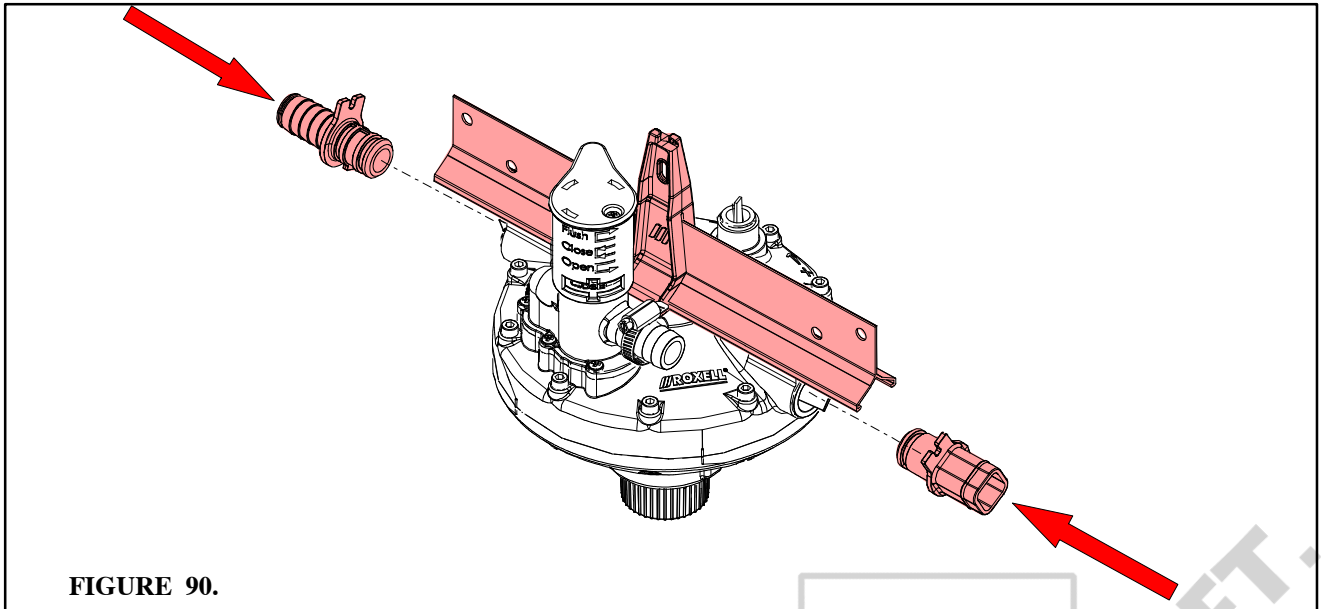


FIGURE 90.

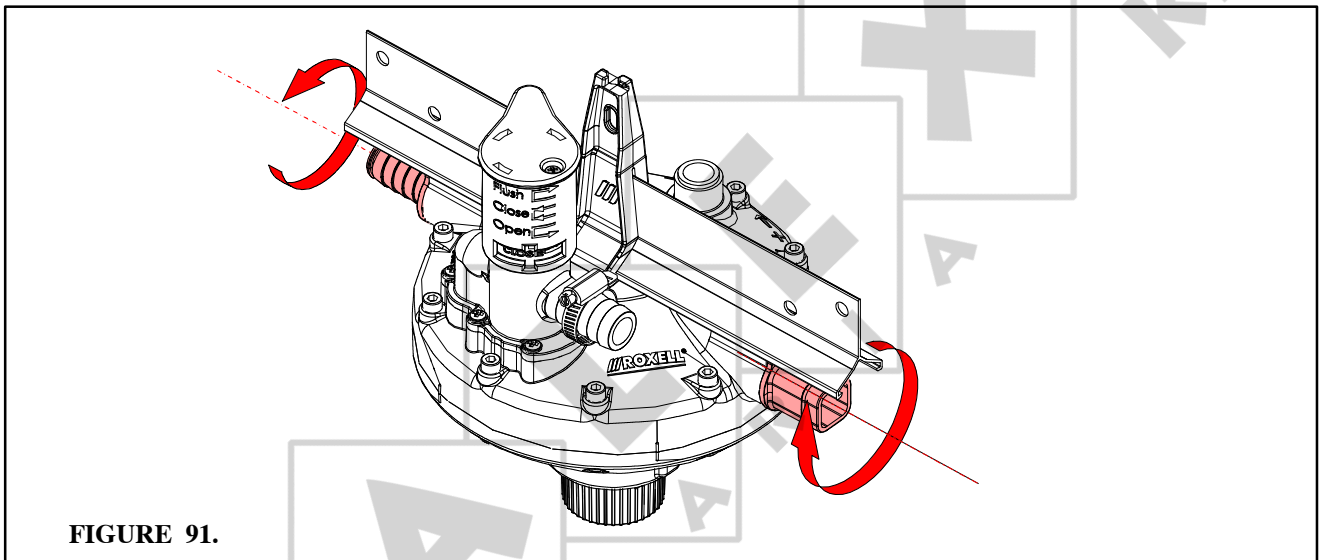


FIGURE 91.

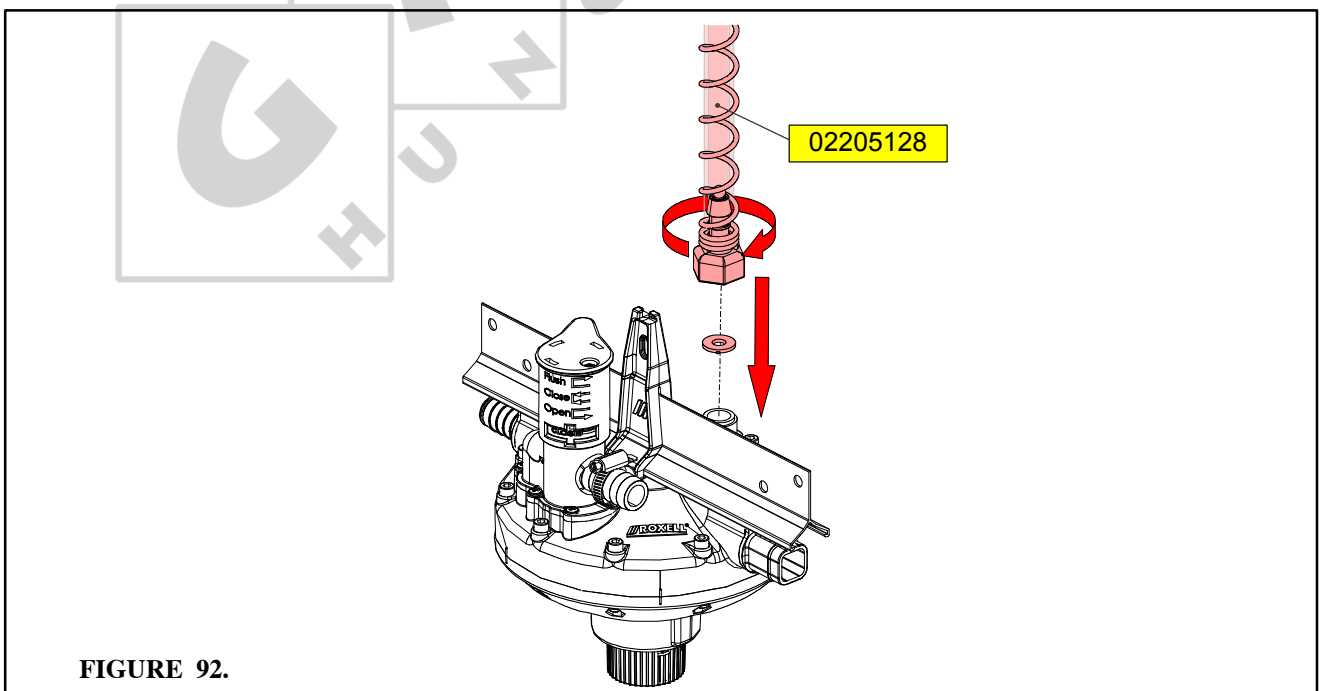
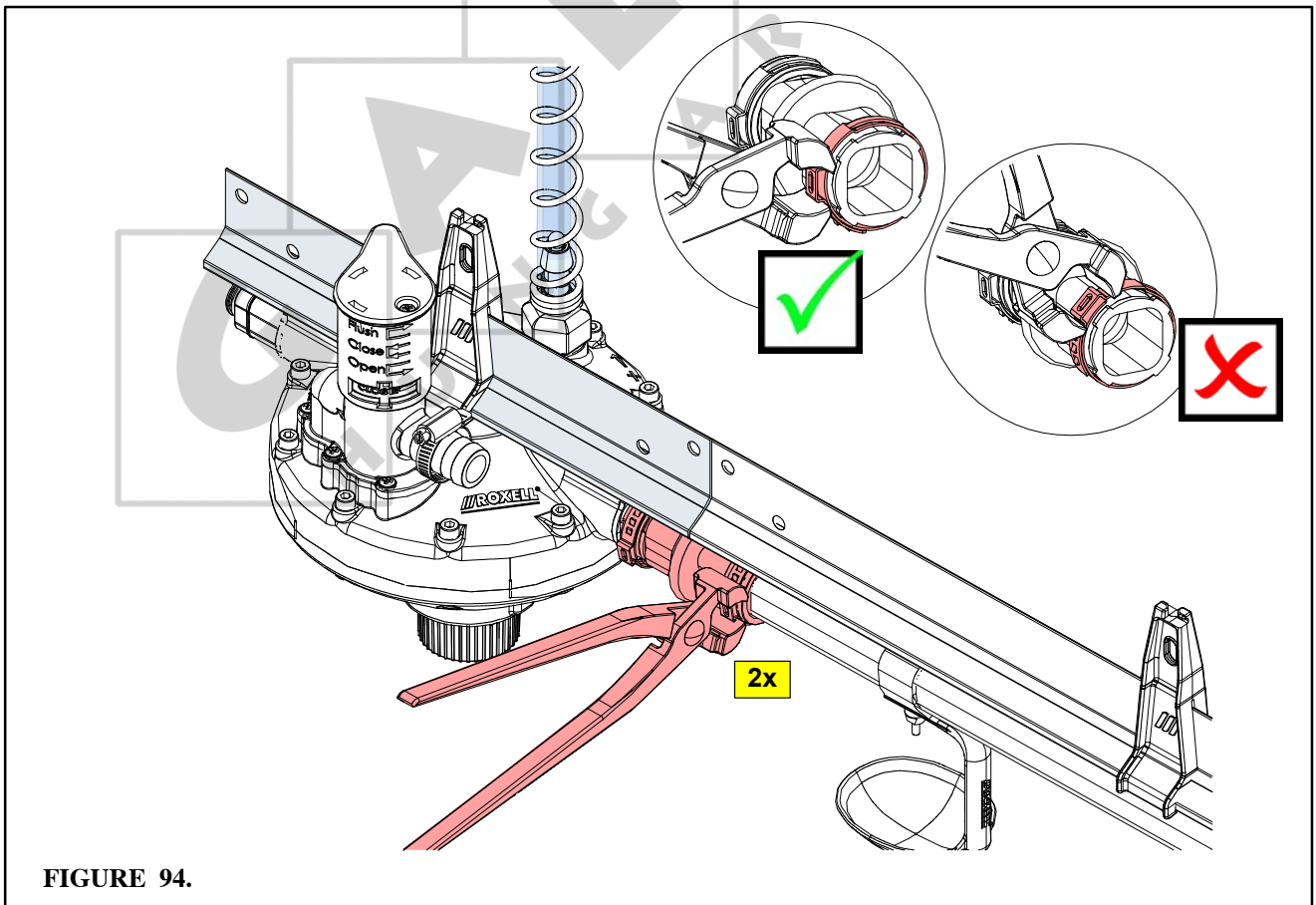
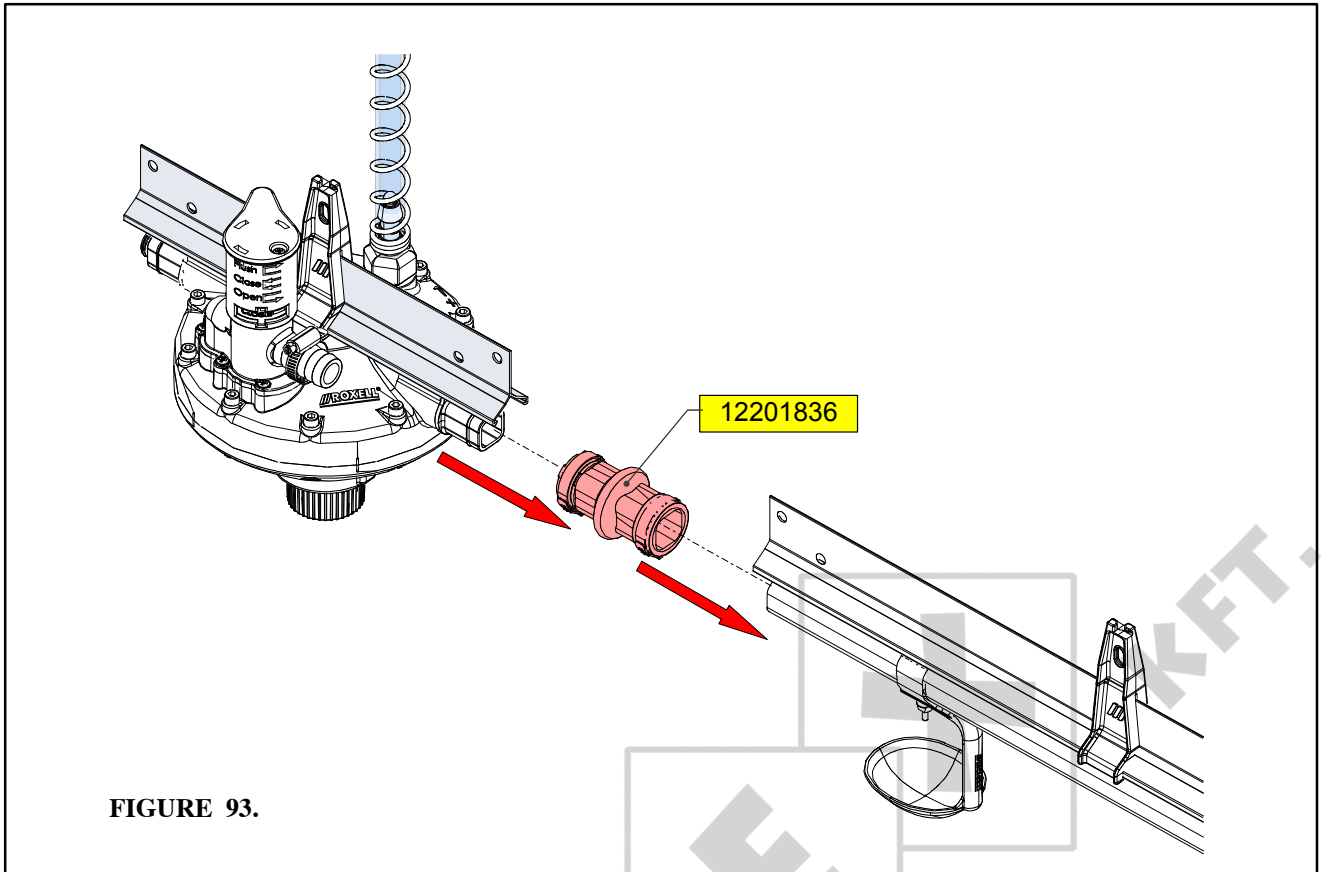


FIGURE 92.



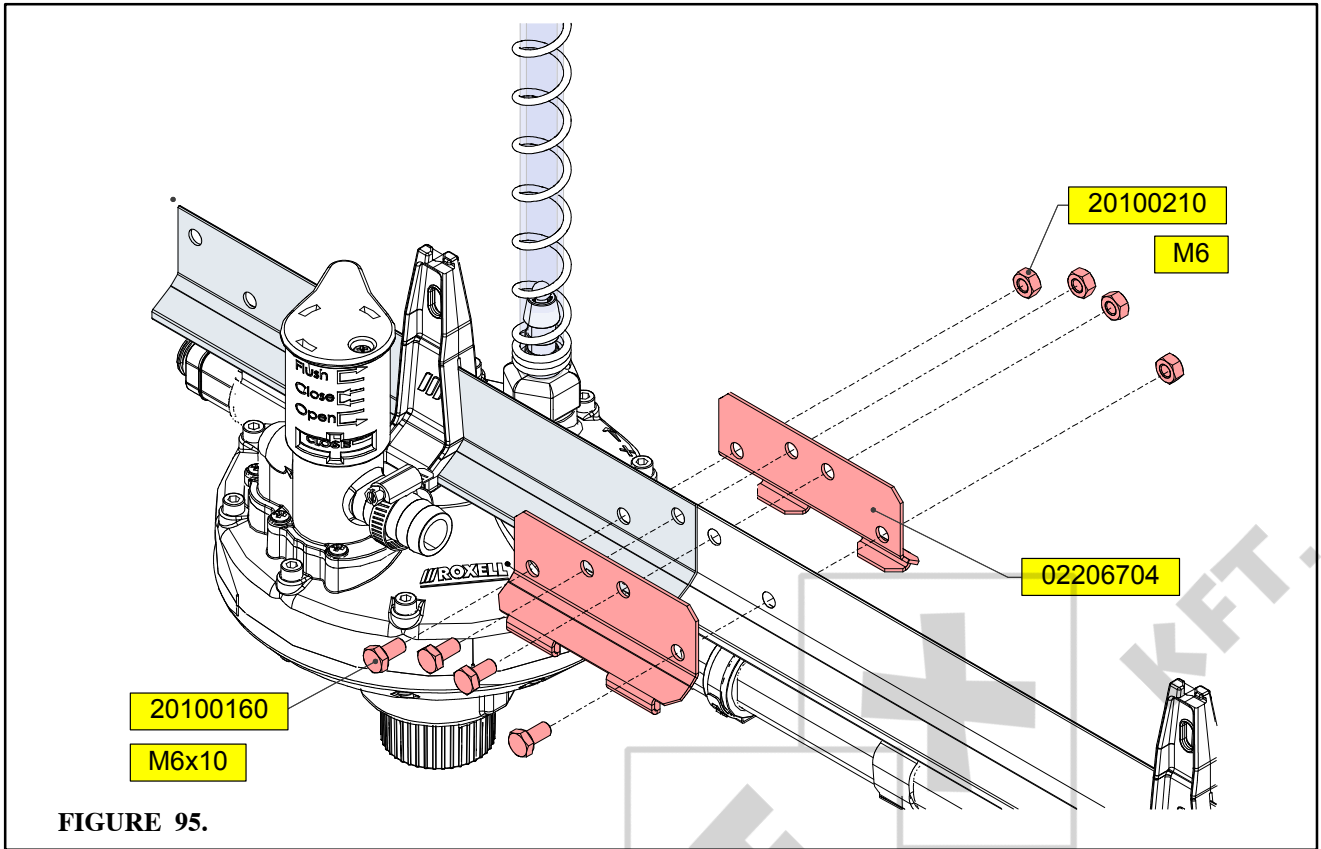


FIGURE 95.

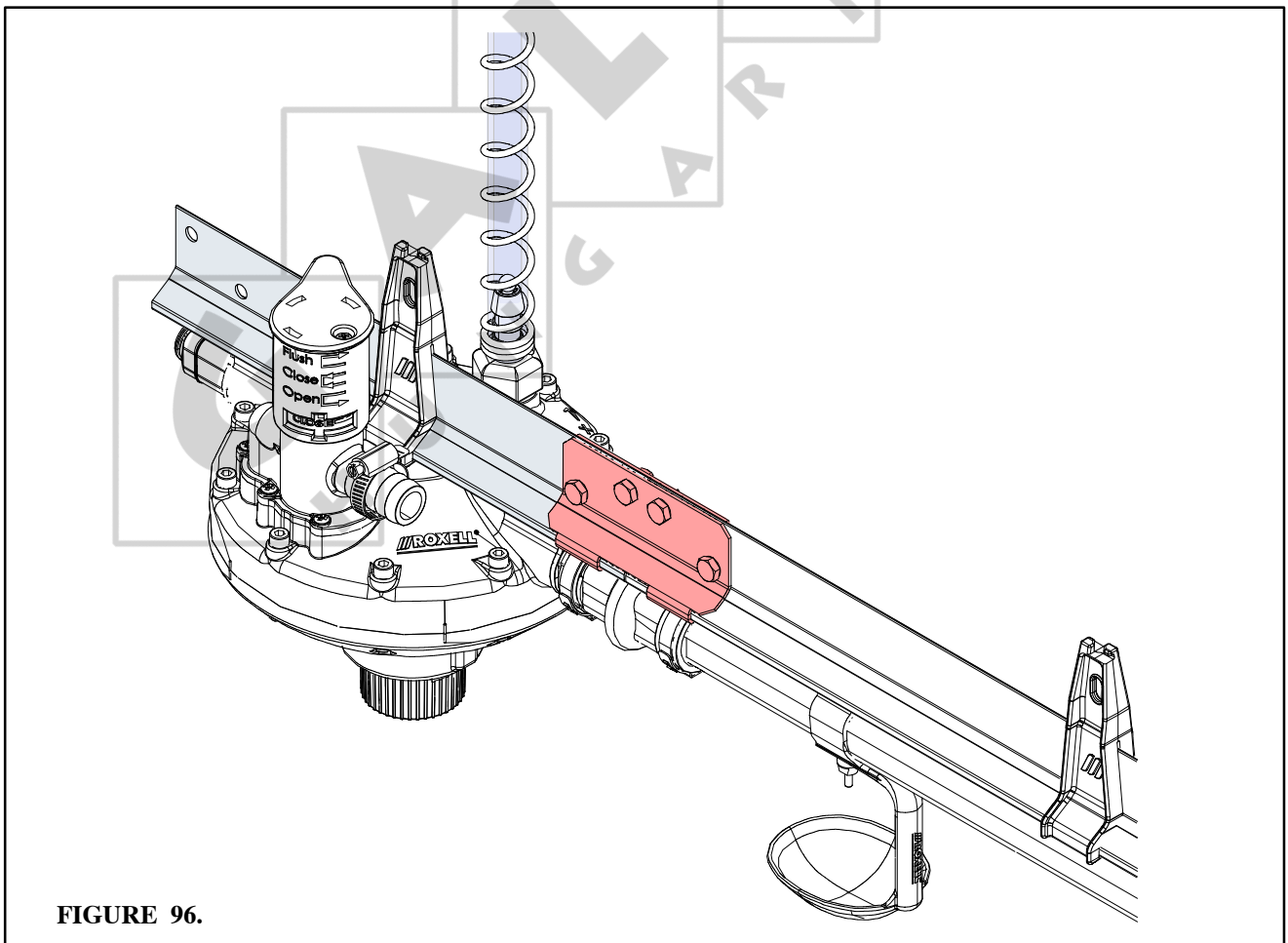
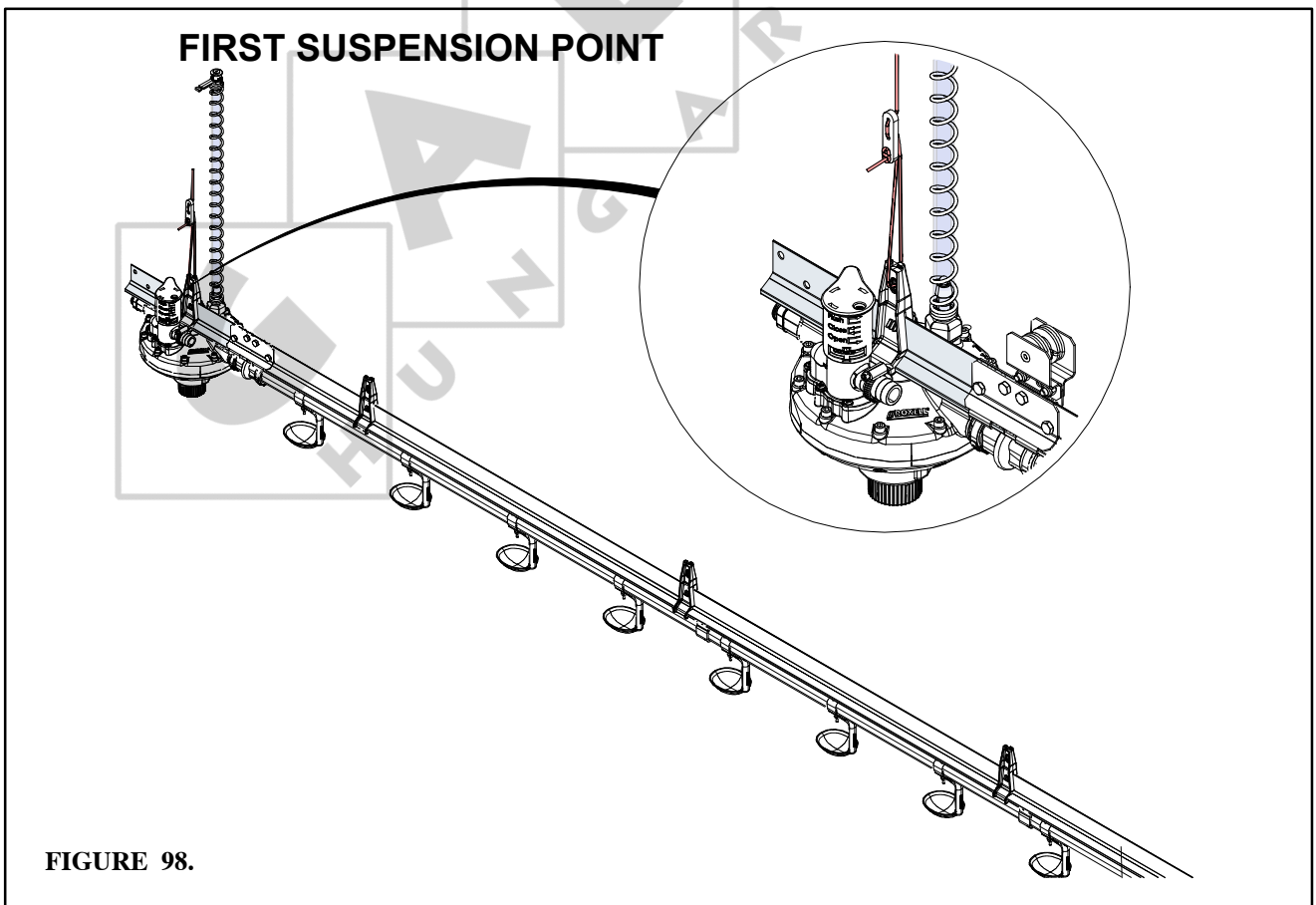
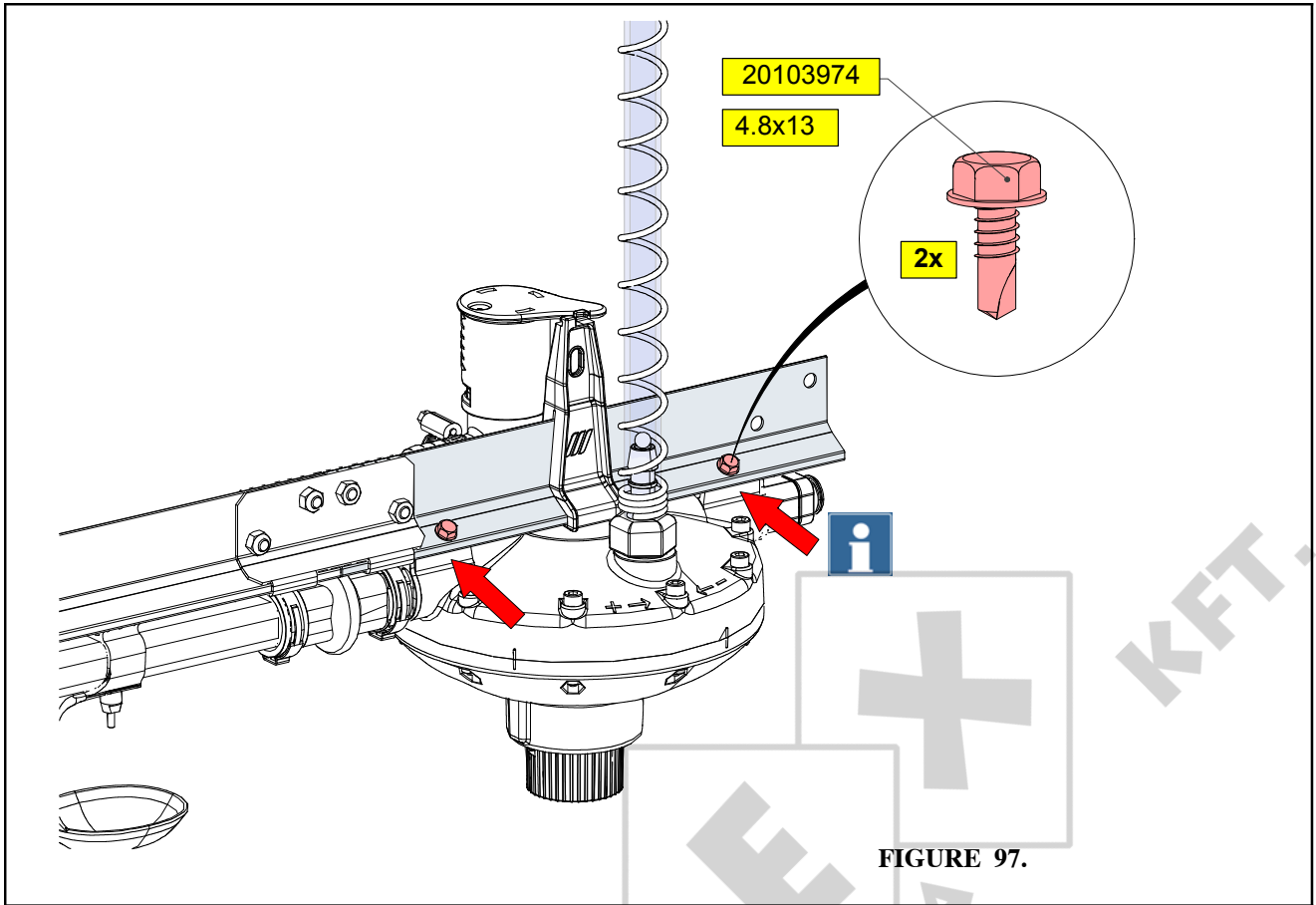


FIGURE 96.



SECOND SUSPENSION POINT

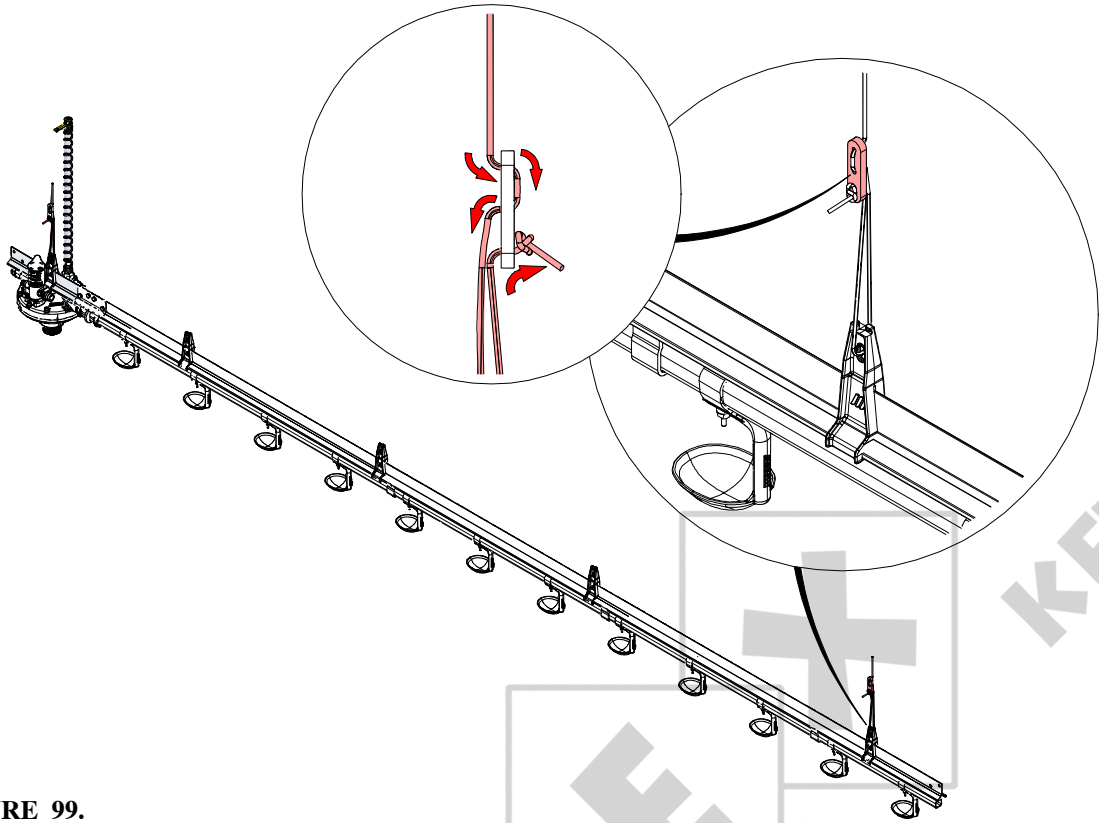


FIGURE 99.

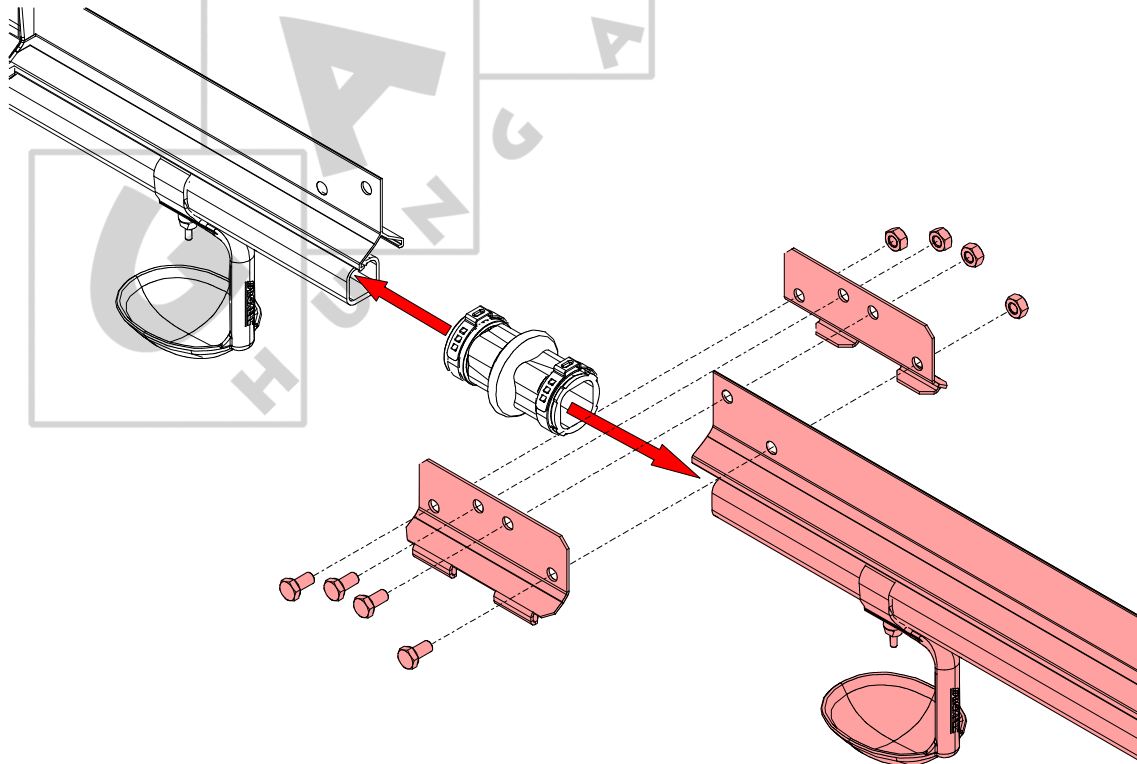
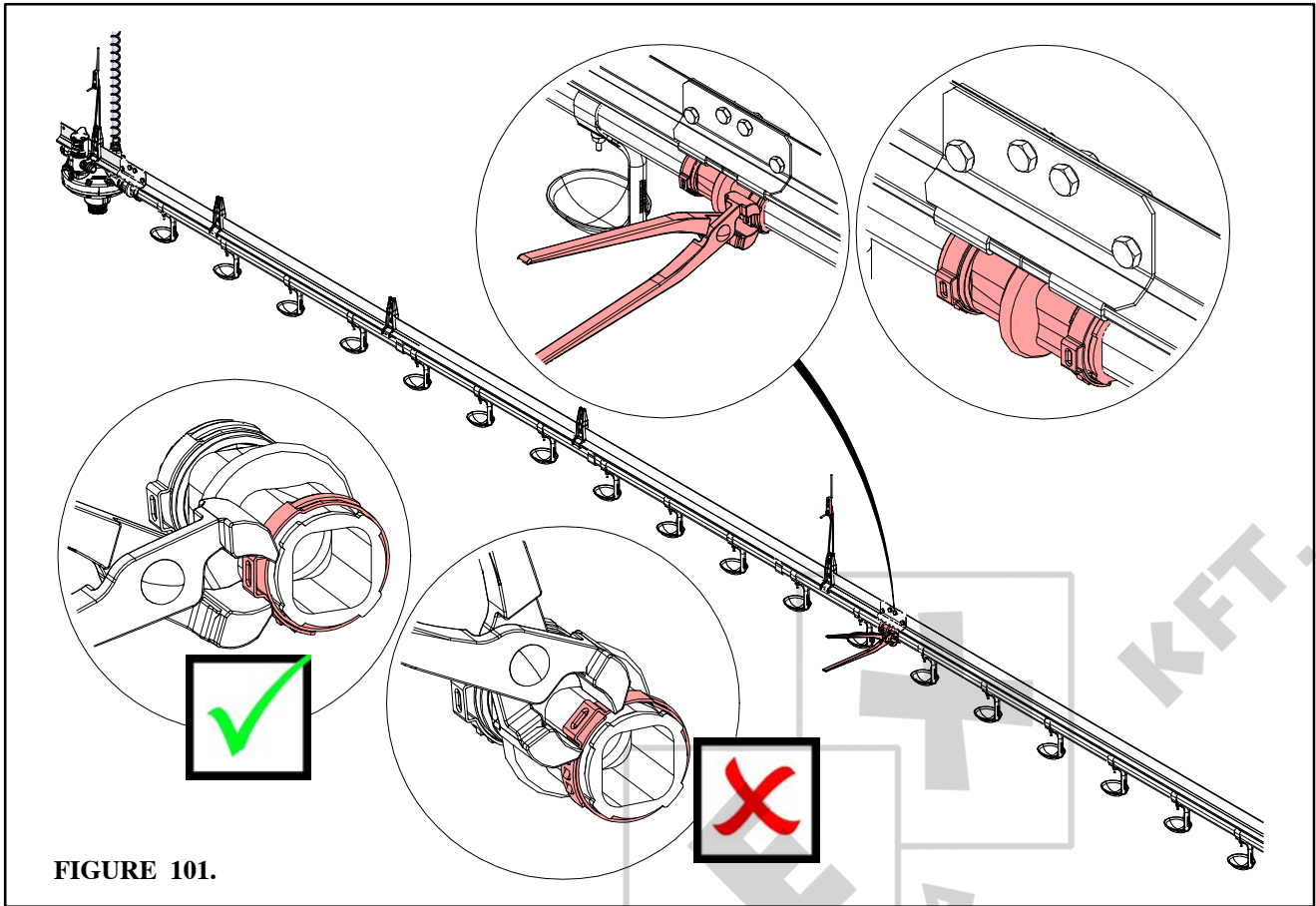
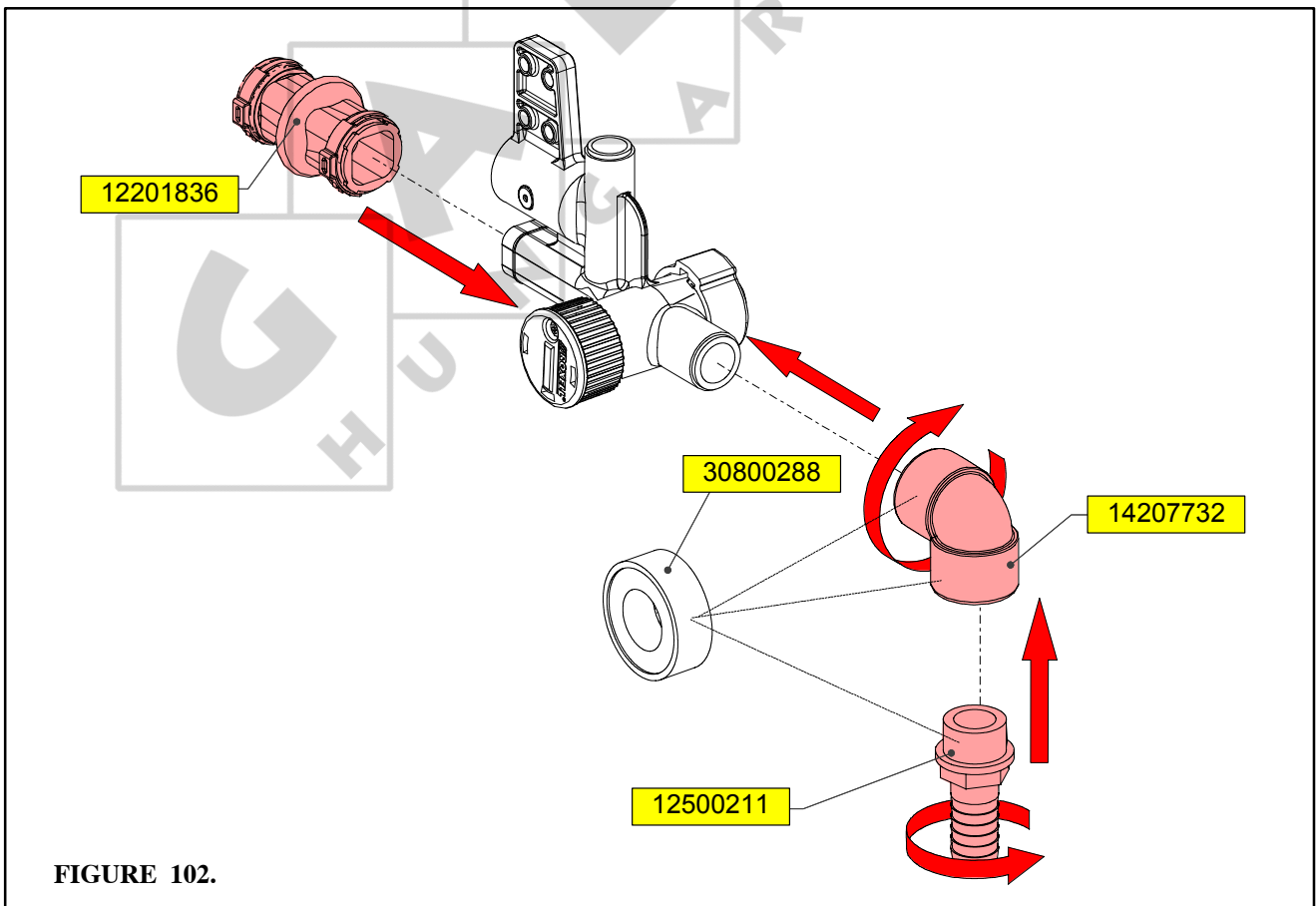
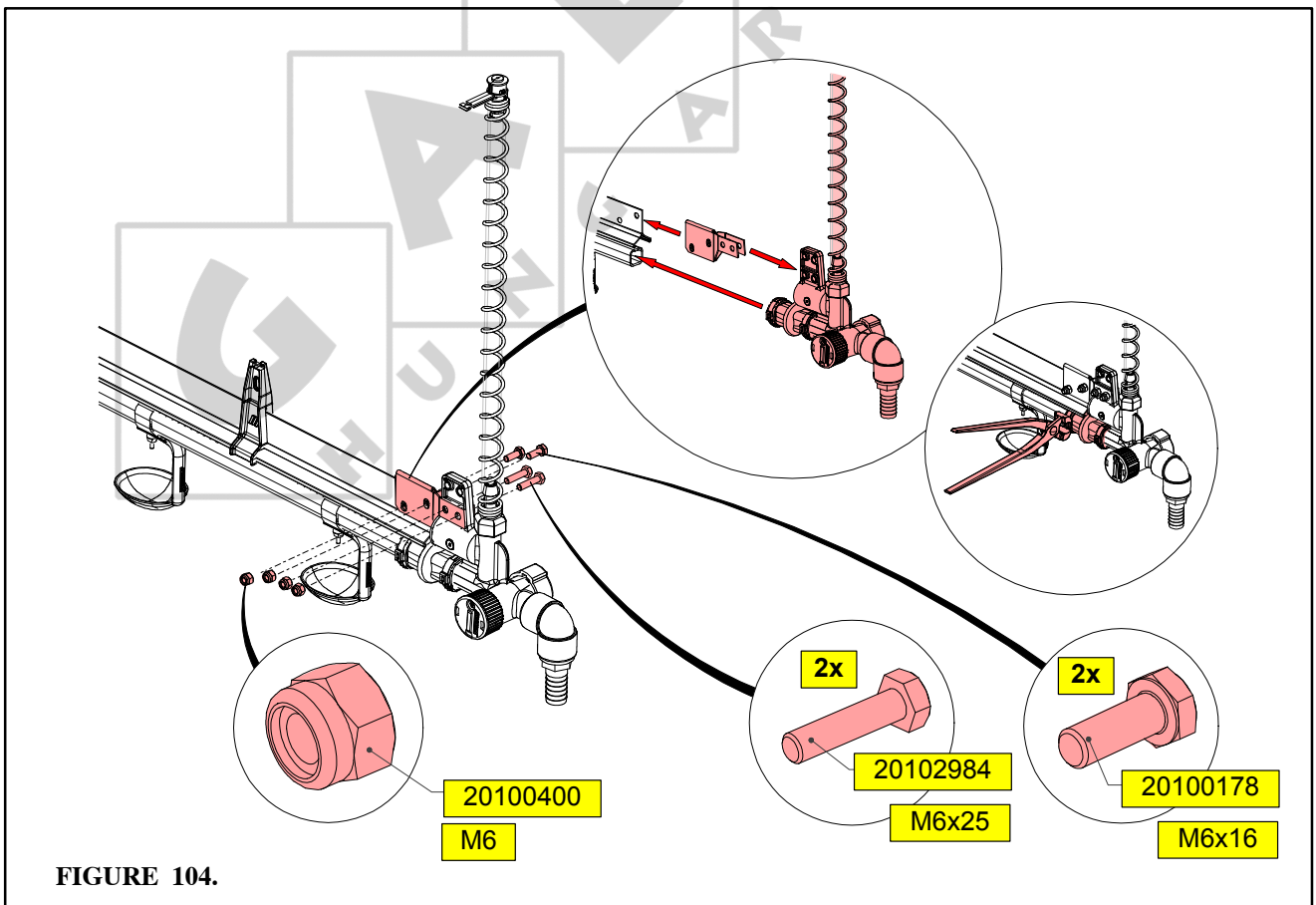
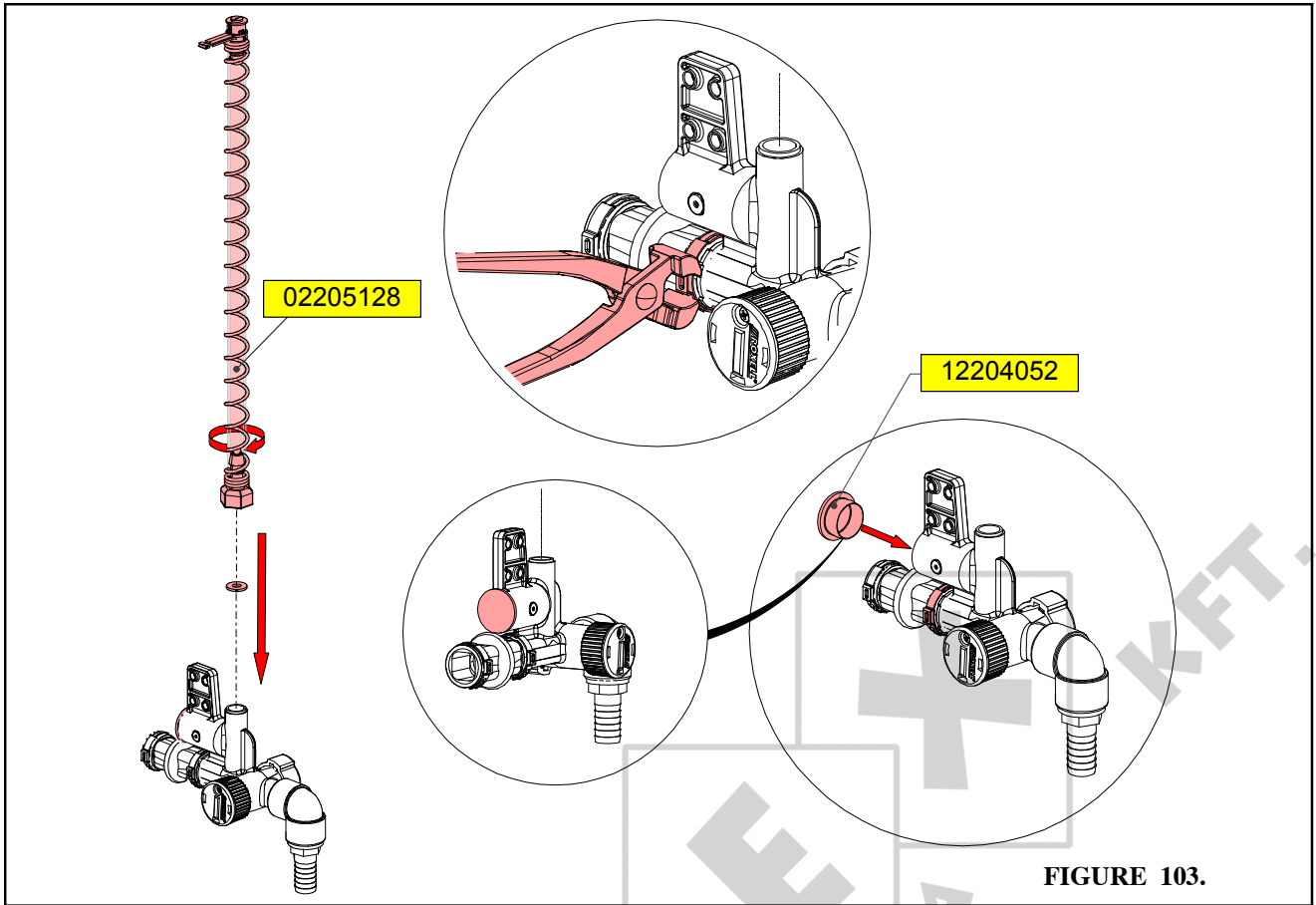


FIGURE 100.



TO INSTALL THE END UNIT





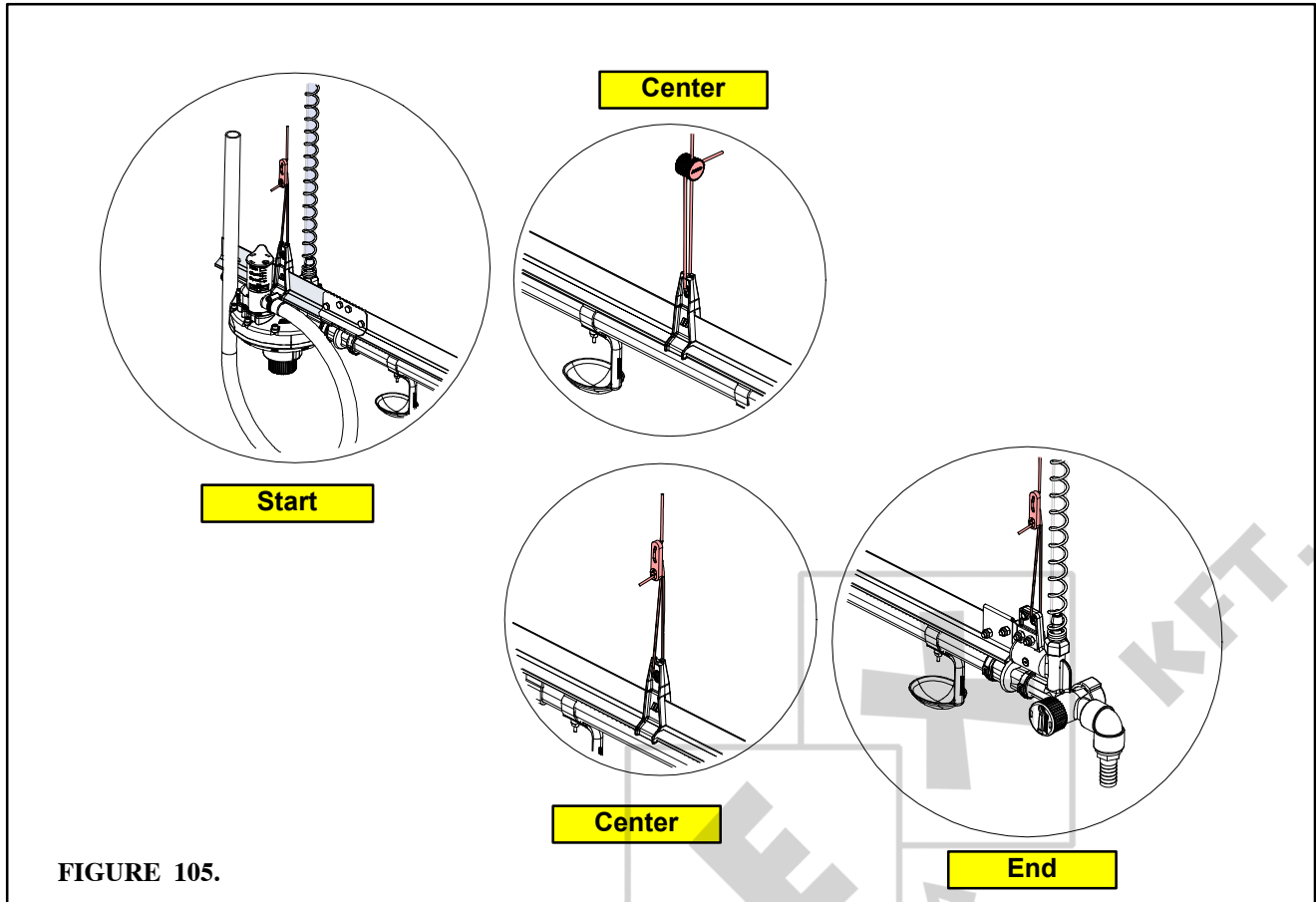


FIGURE 105.

TO INSTALL THE POULTRY PERCH GUARD

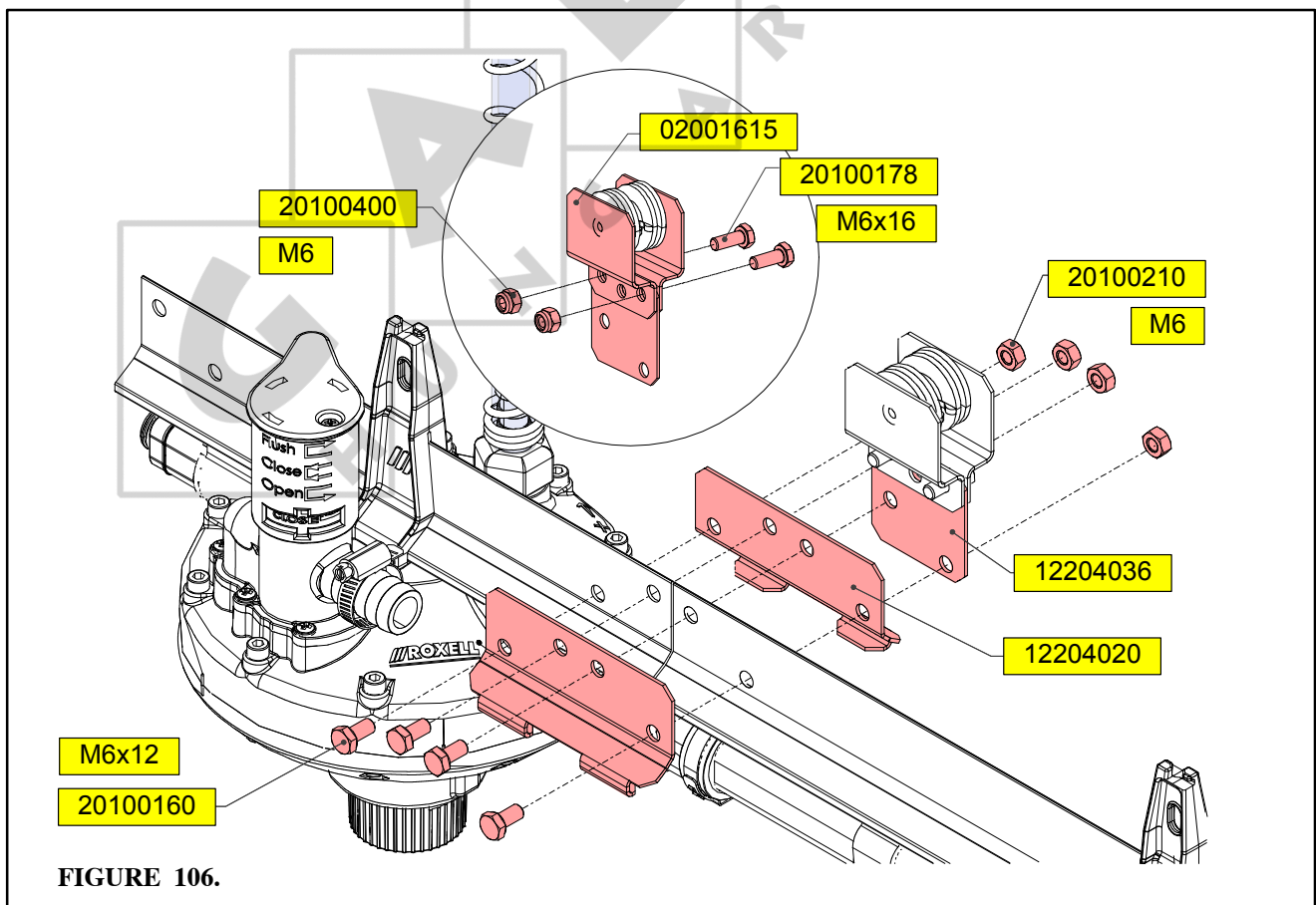


FIGURE 106.

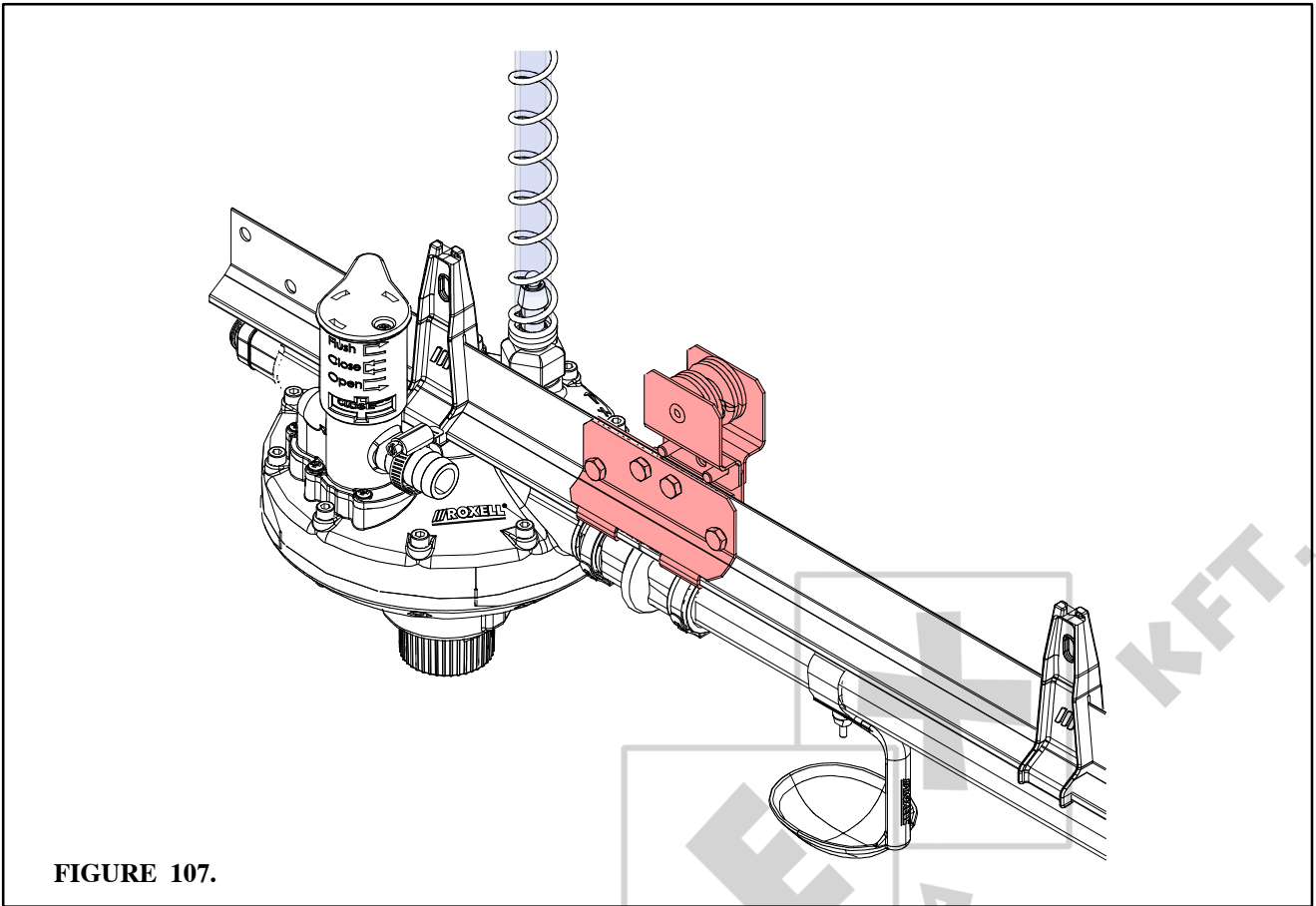


FIGURE 107.

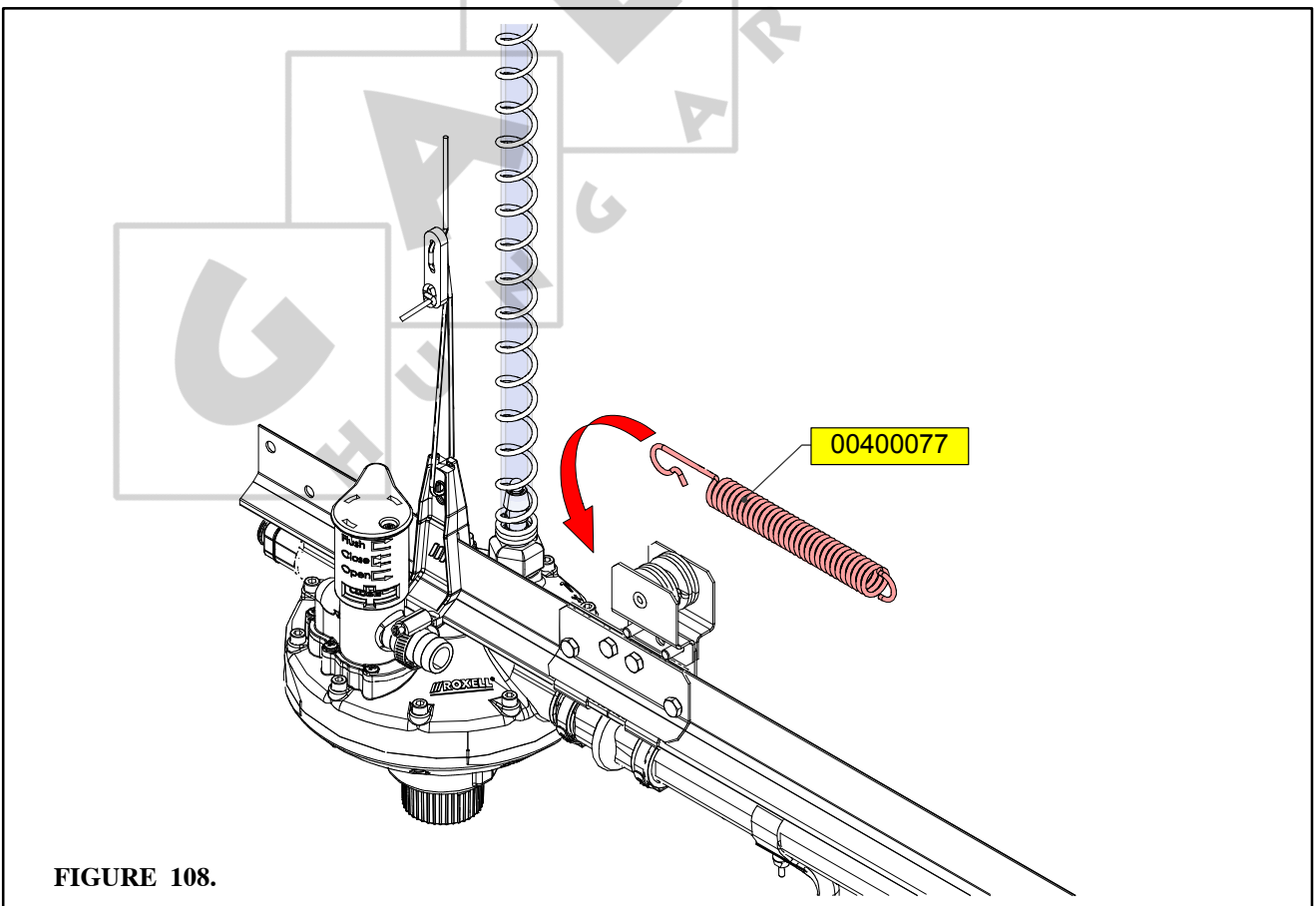


FIGURE 108.

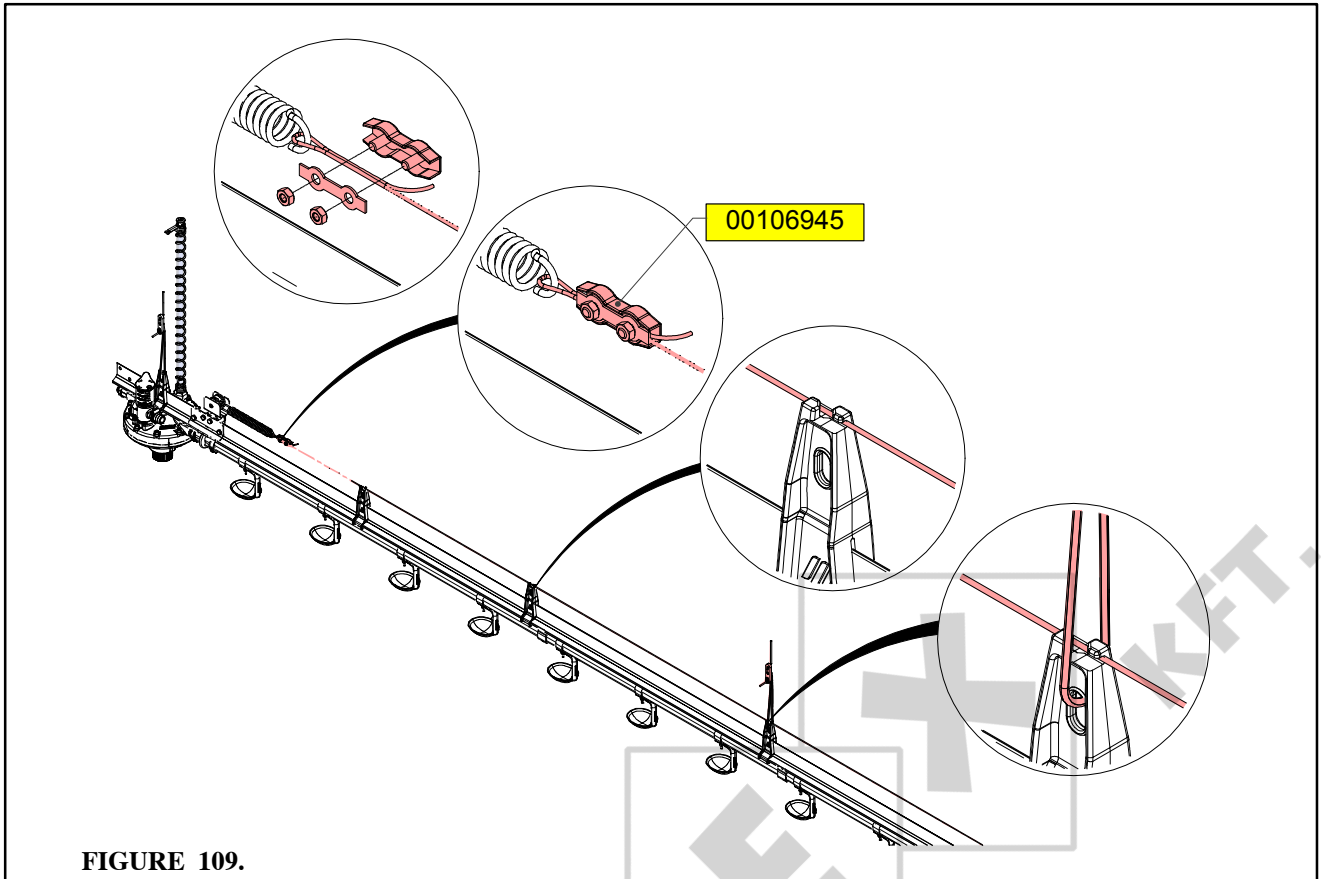


FIGURE 109.

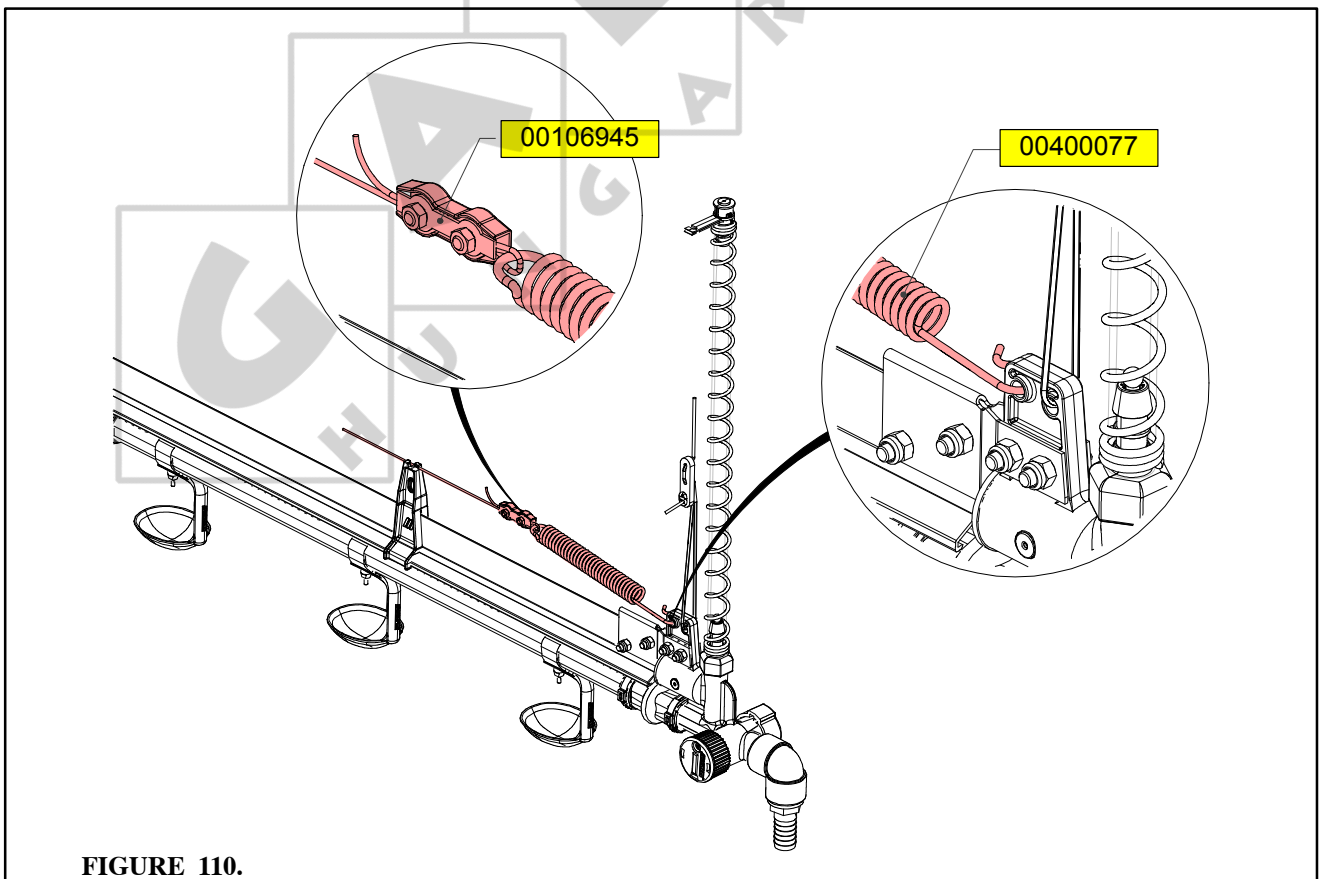


FIGURE 110.

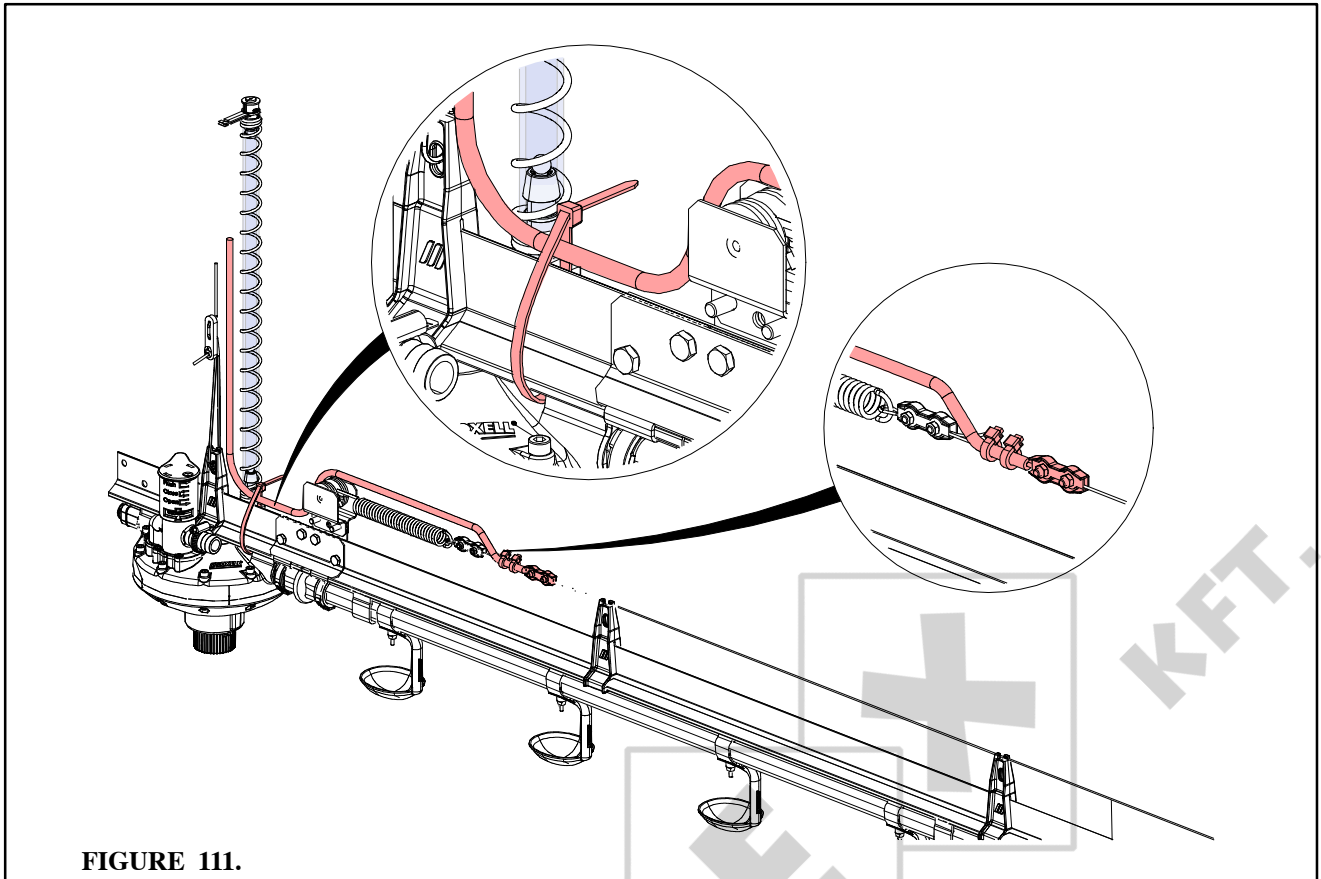


FIGURE 111.

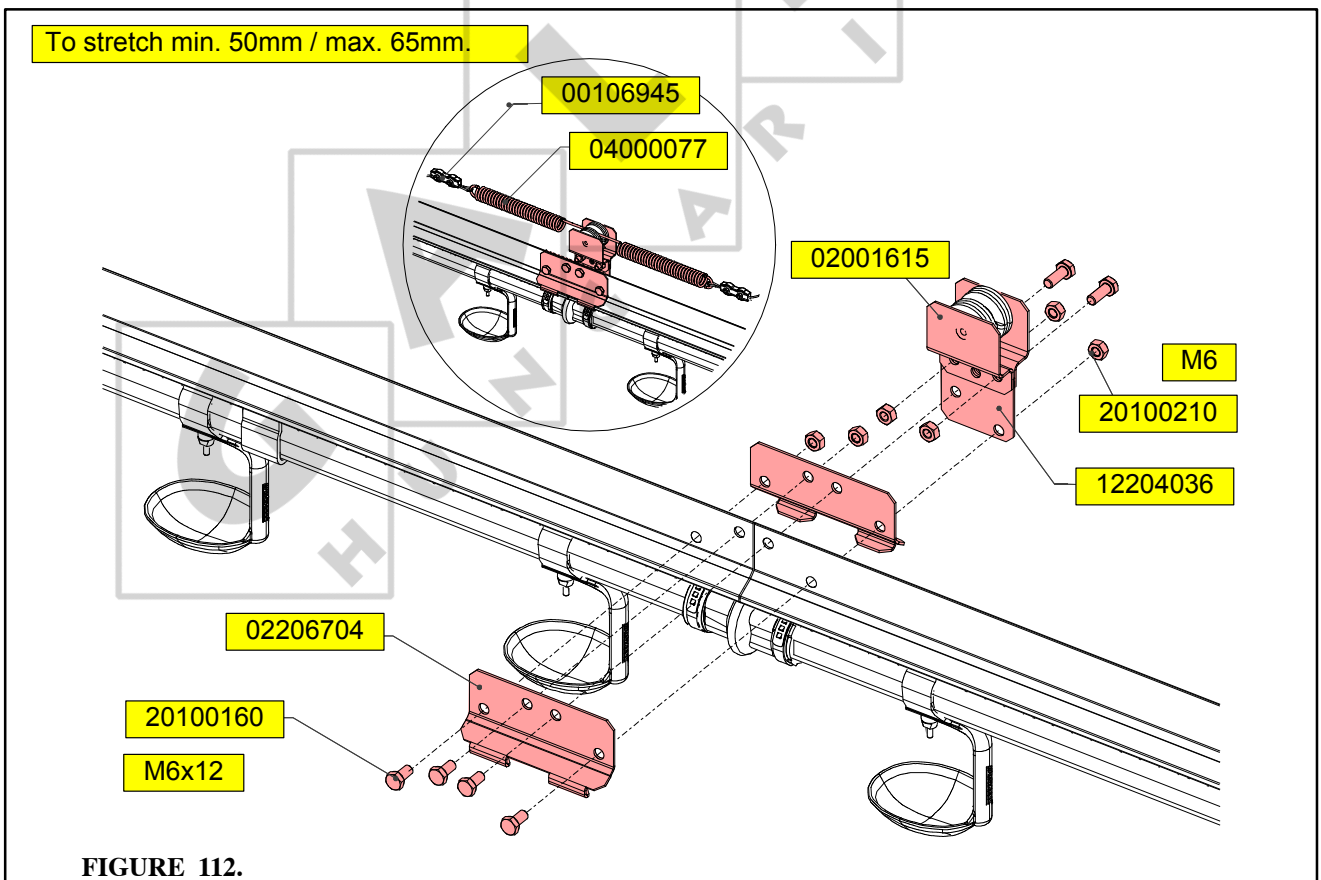


FIGURE 112.

TO CONNECT THE WATER SUPPLY

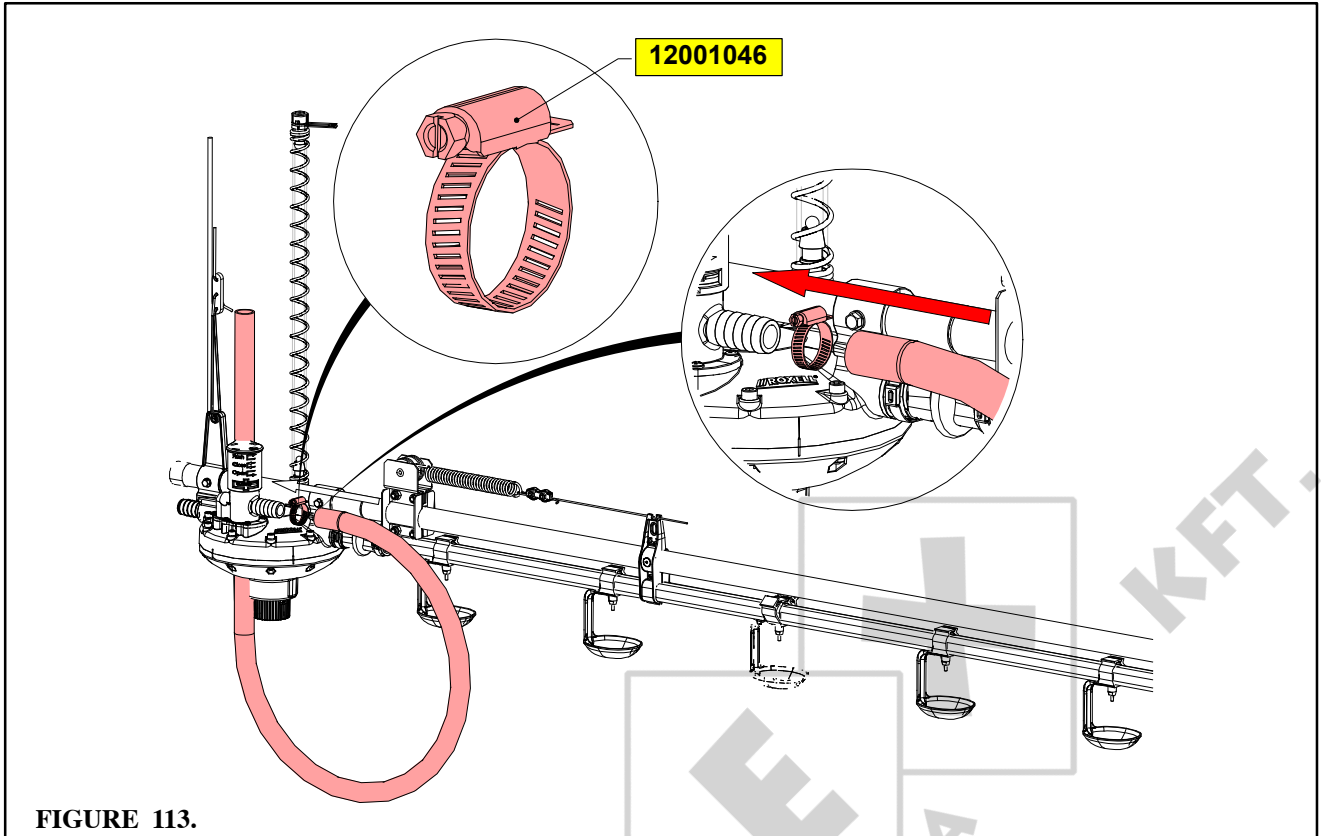


FIGURE 113.

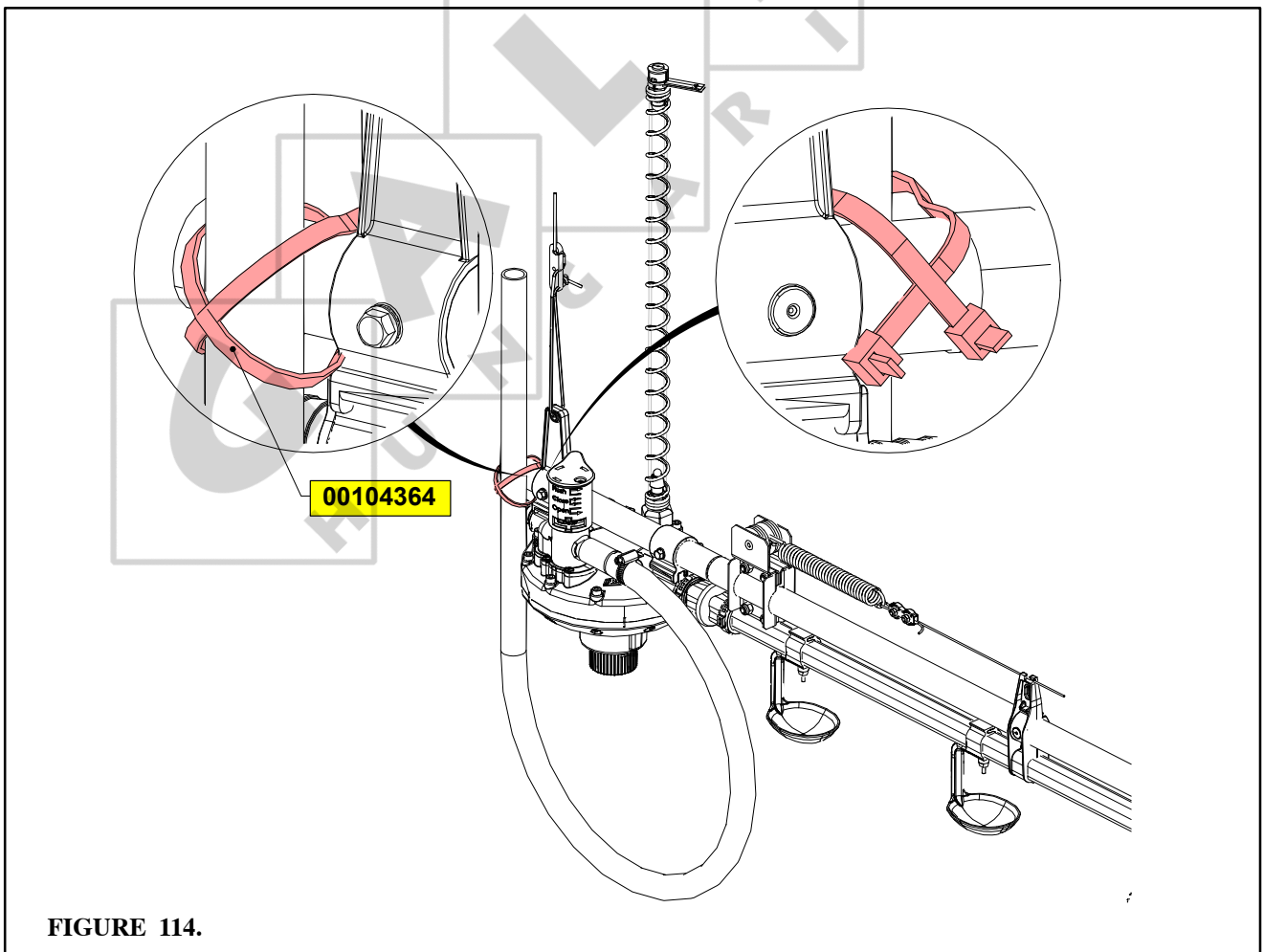


FIGURE 114.

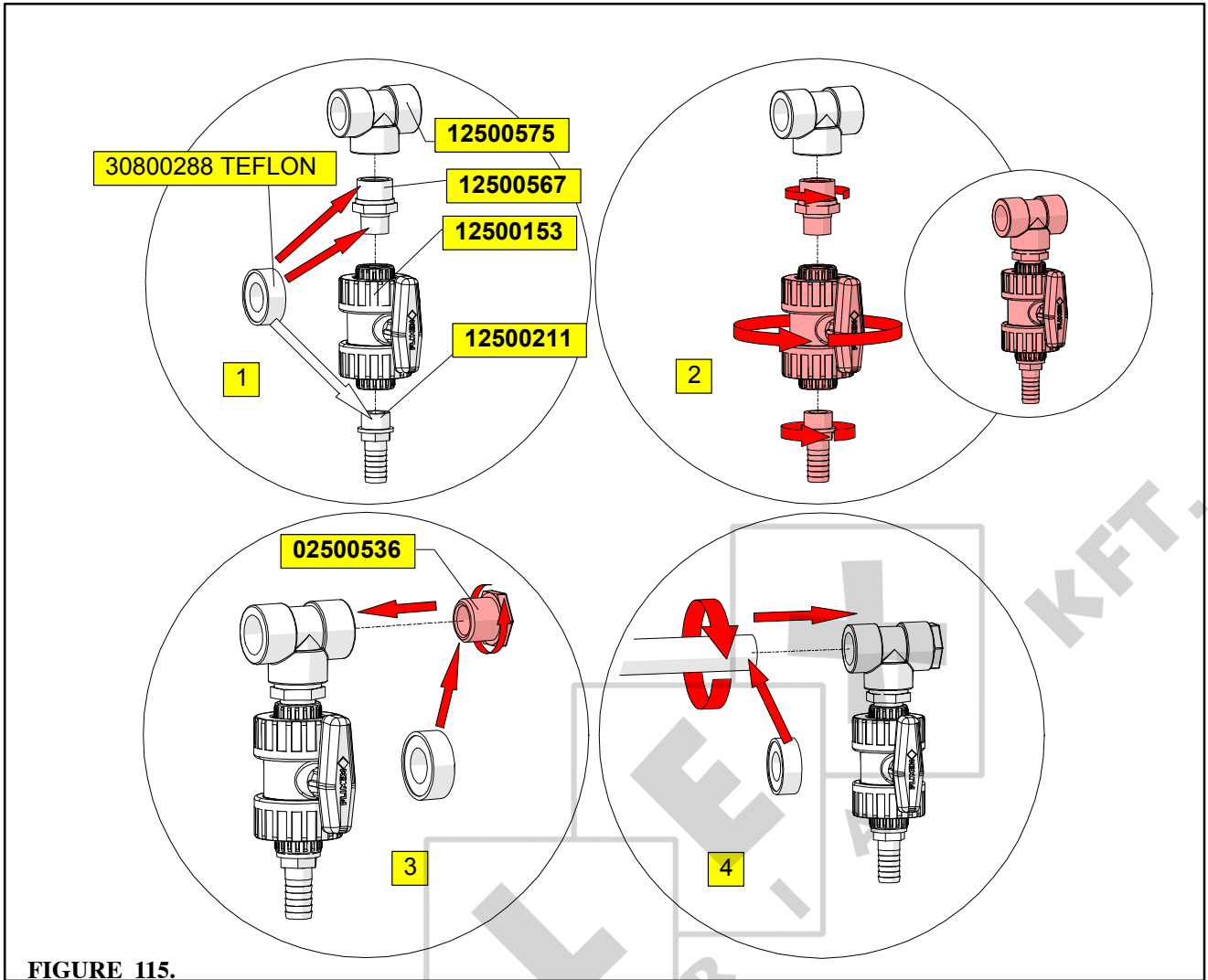


FIGURE 115.

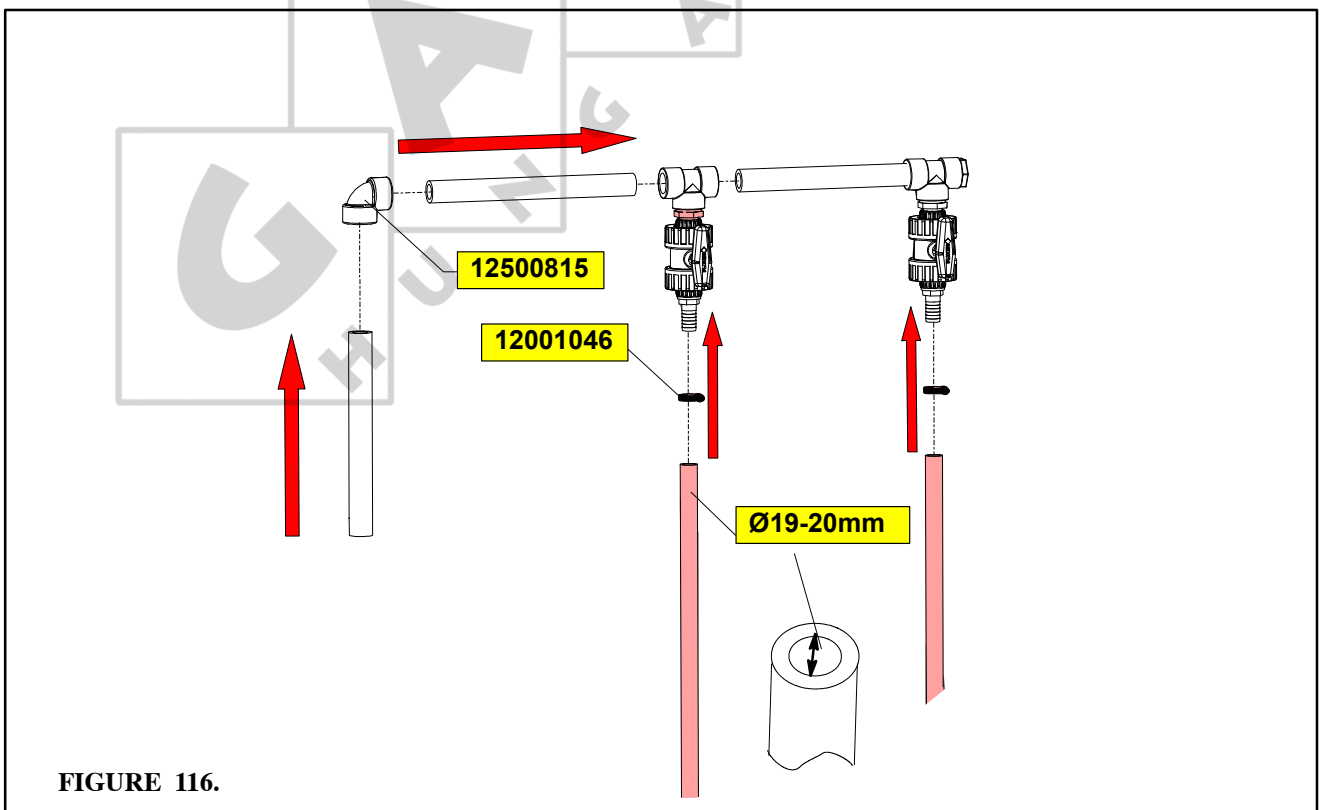
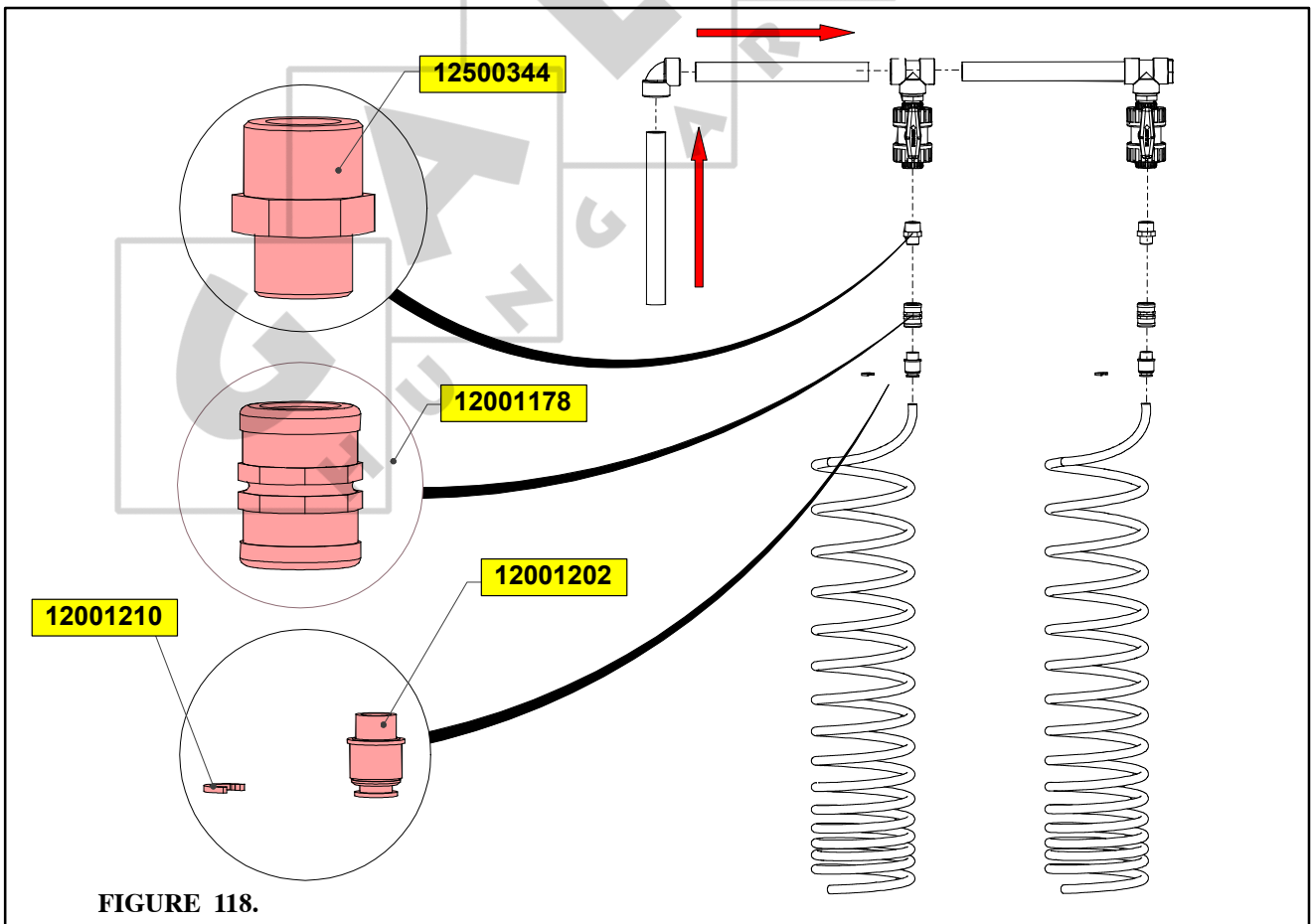
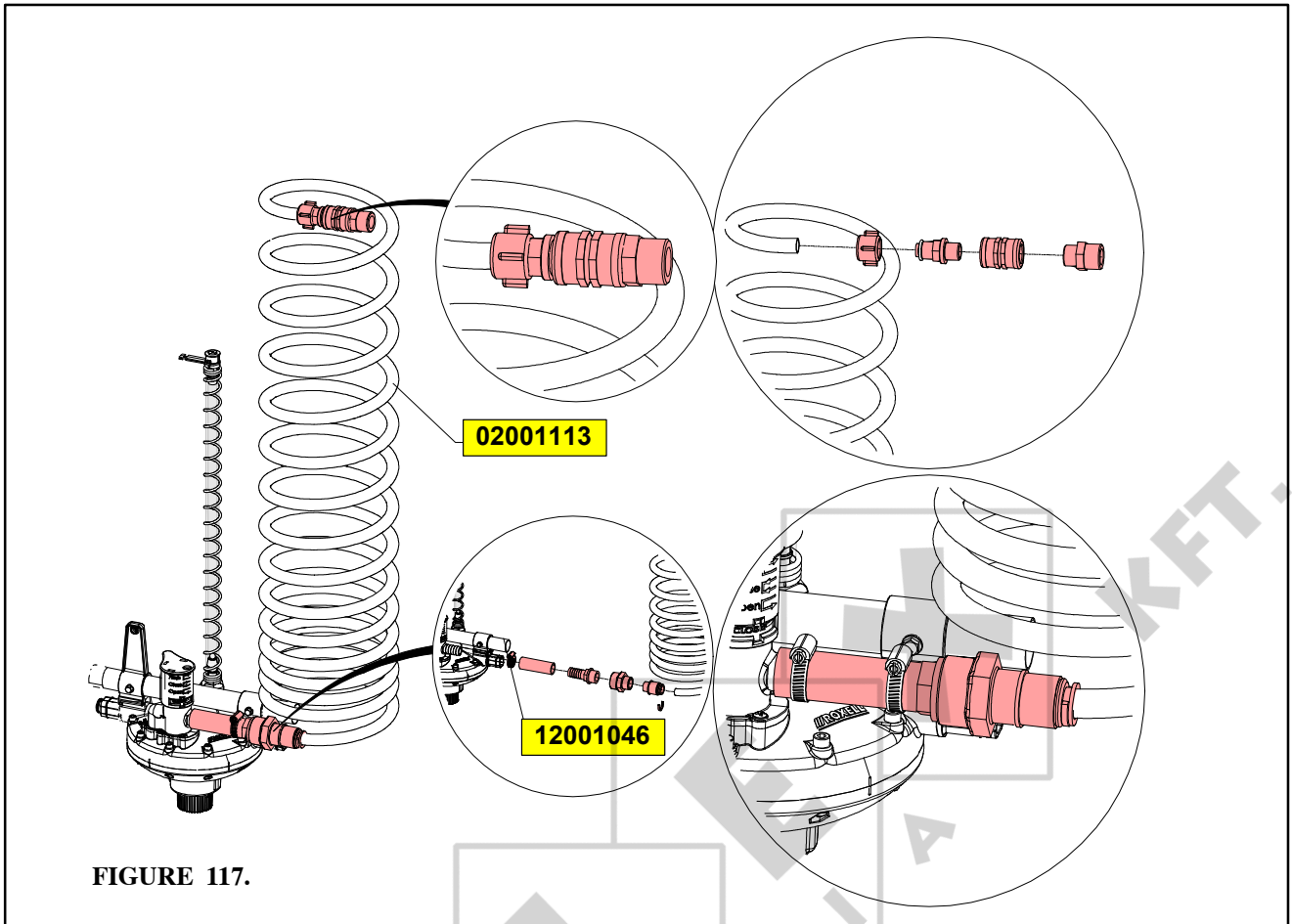


FIGURE 116.

OPTION: SPIRAL HOSE



OPTION: MID LINE SHUT-OFF VALVE

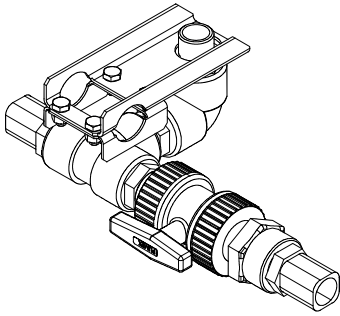


FIGURE 119.

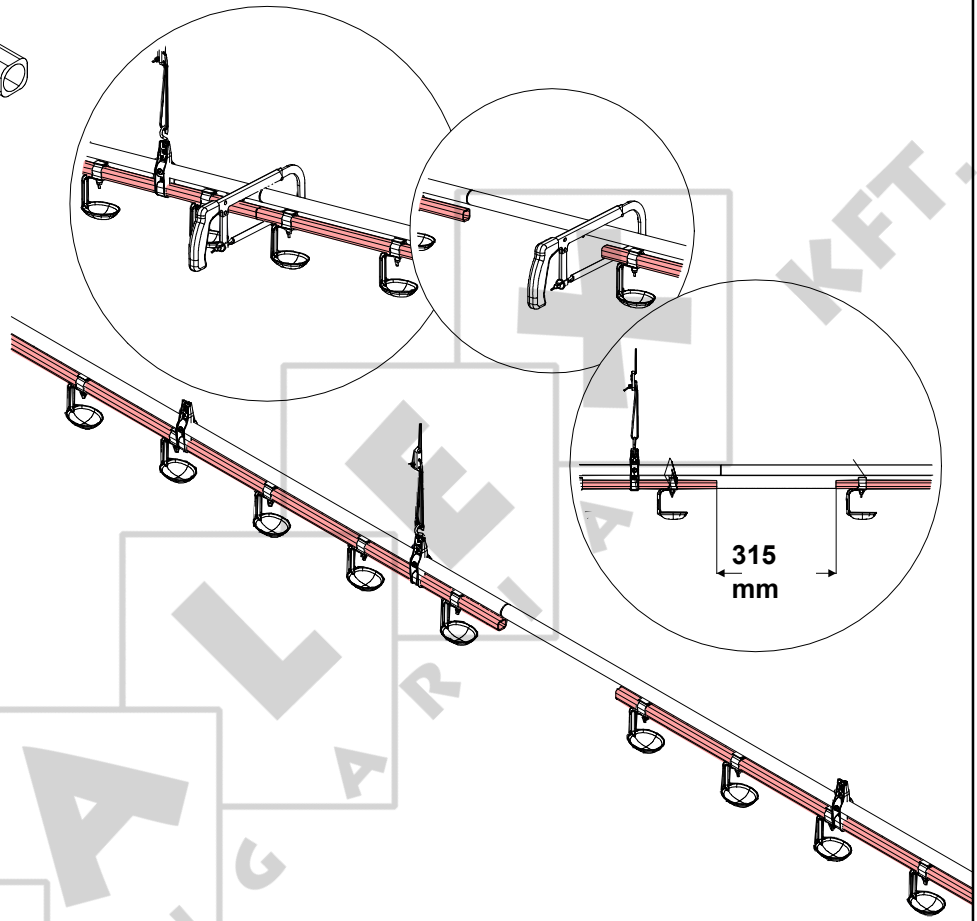


FIGURE 120.

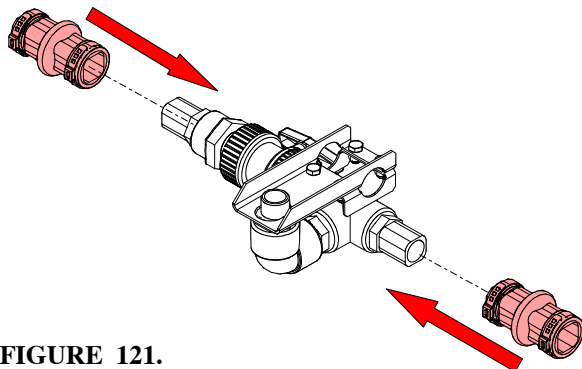


FIGURE 121.

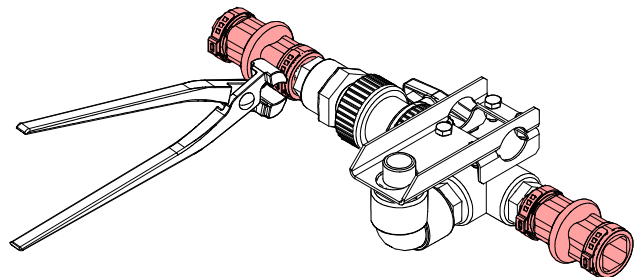


FIGURE 122.

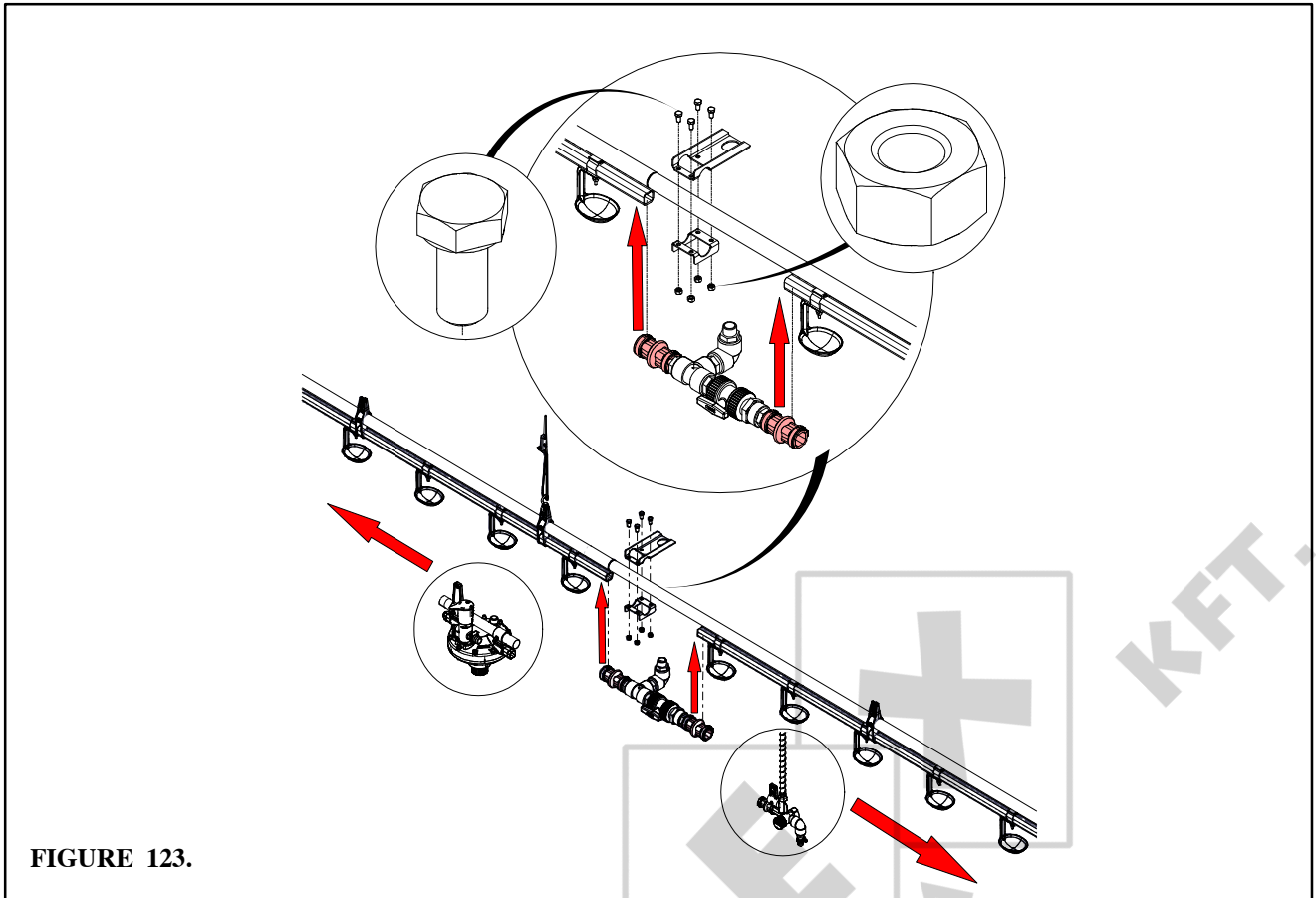


FIGURE 123.

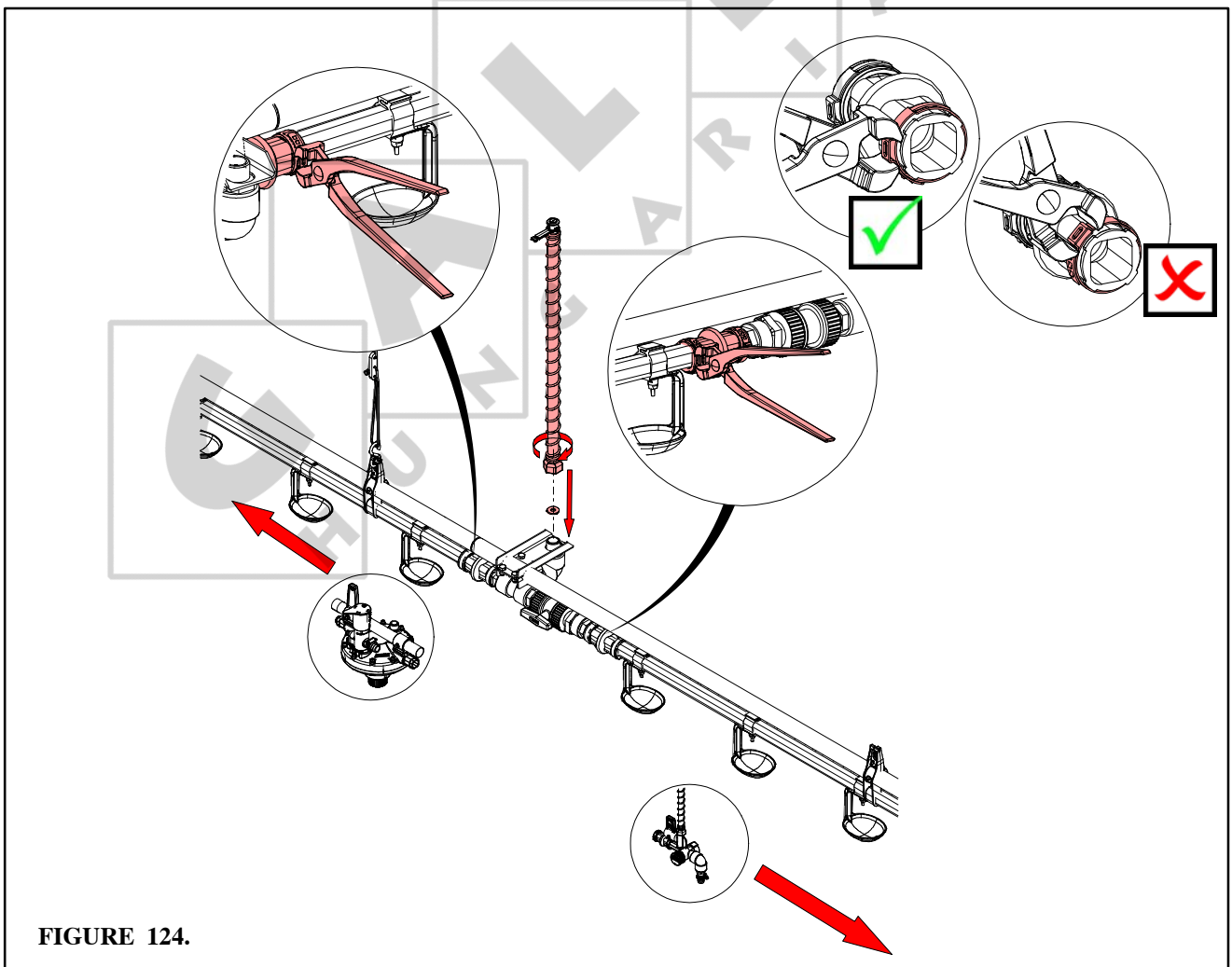
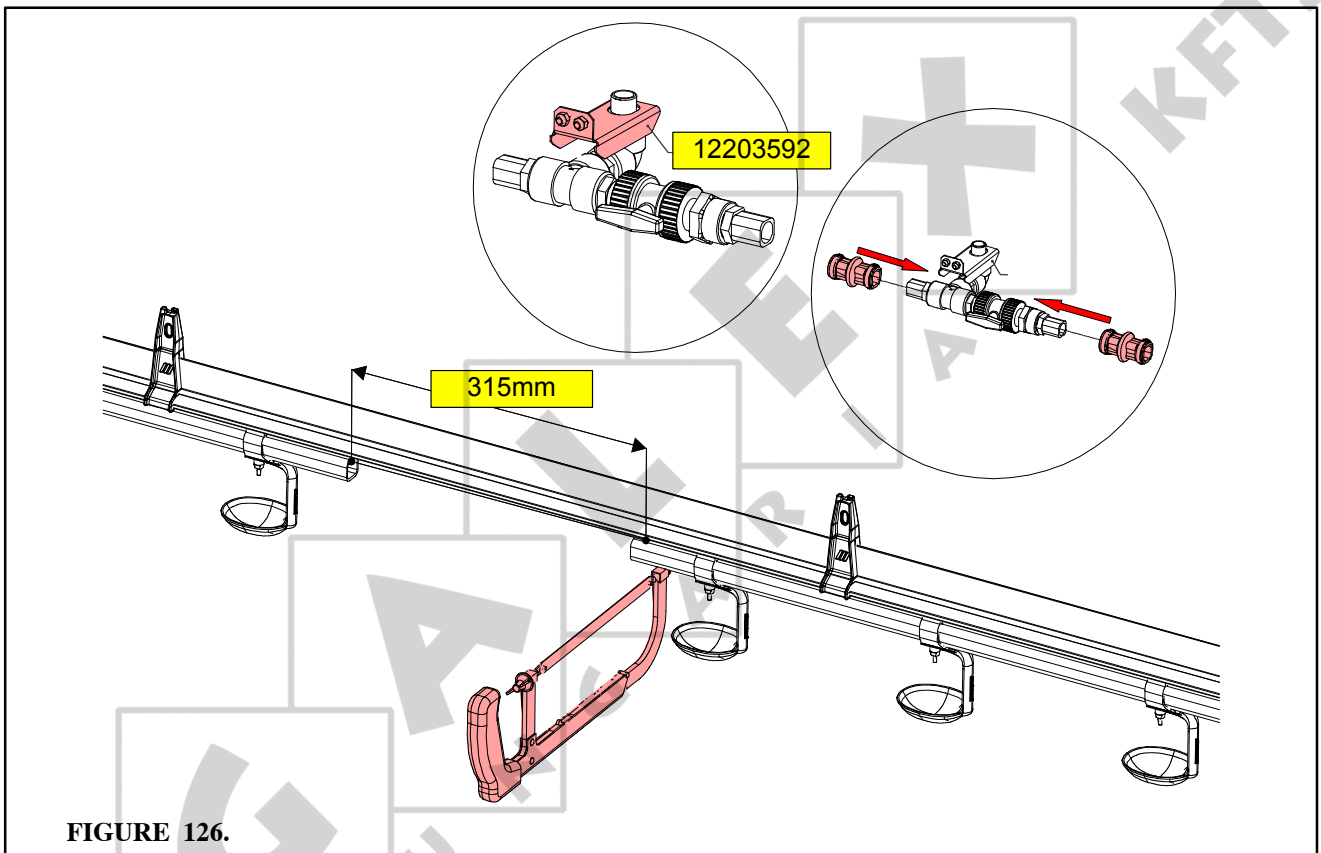
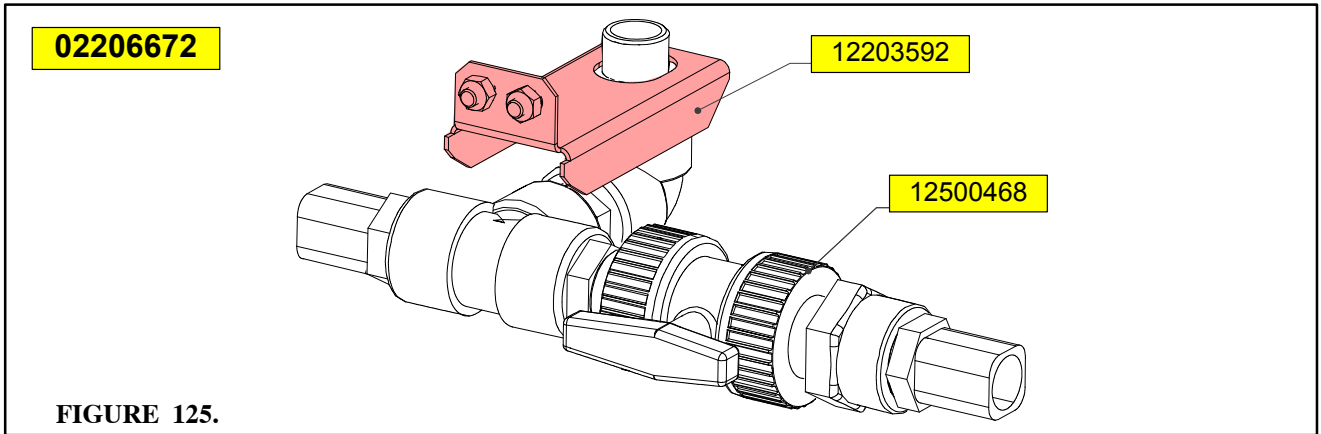


FIGURE 124.

OPTION: MID LINE SHUT-OFF VALVE - ALUMINIUM PROFILE



OPTION : START CUP

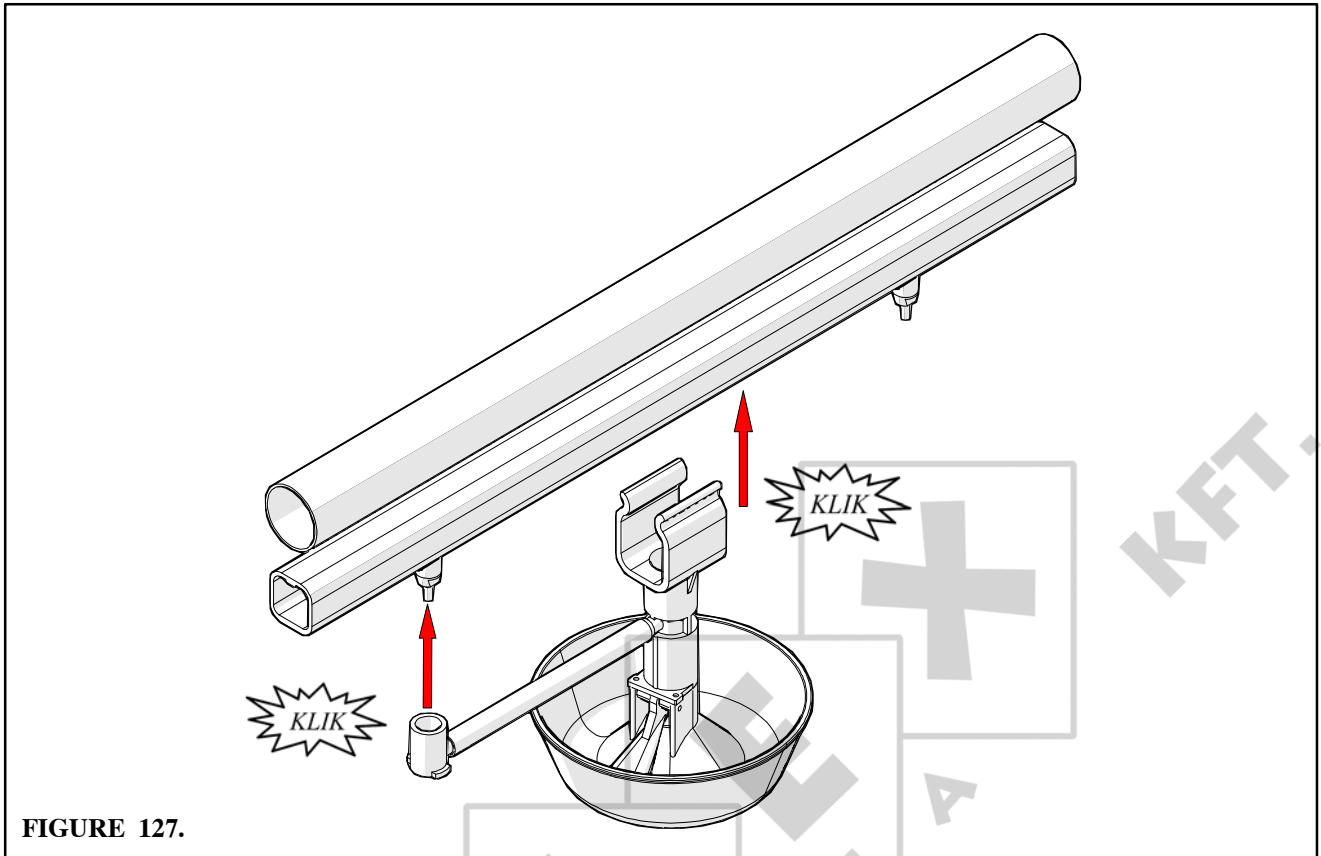


FIGURE 127.

AUTOMATIC FLUSHING FRONT

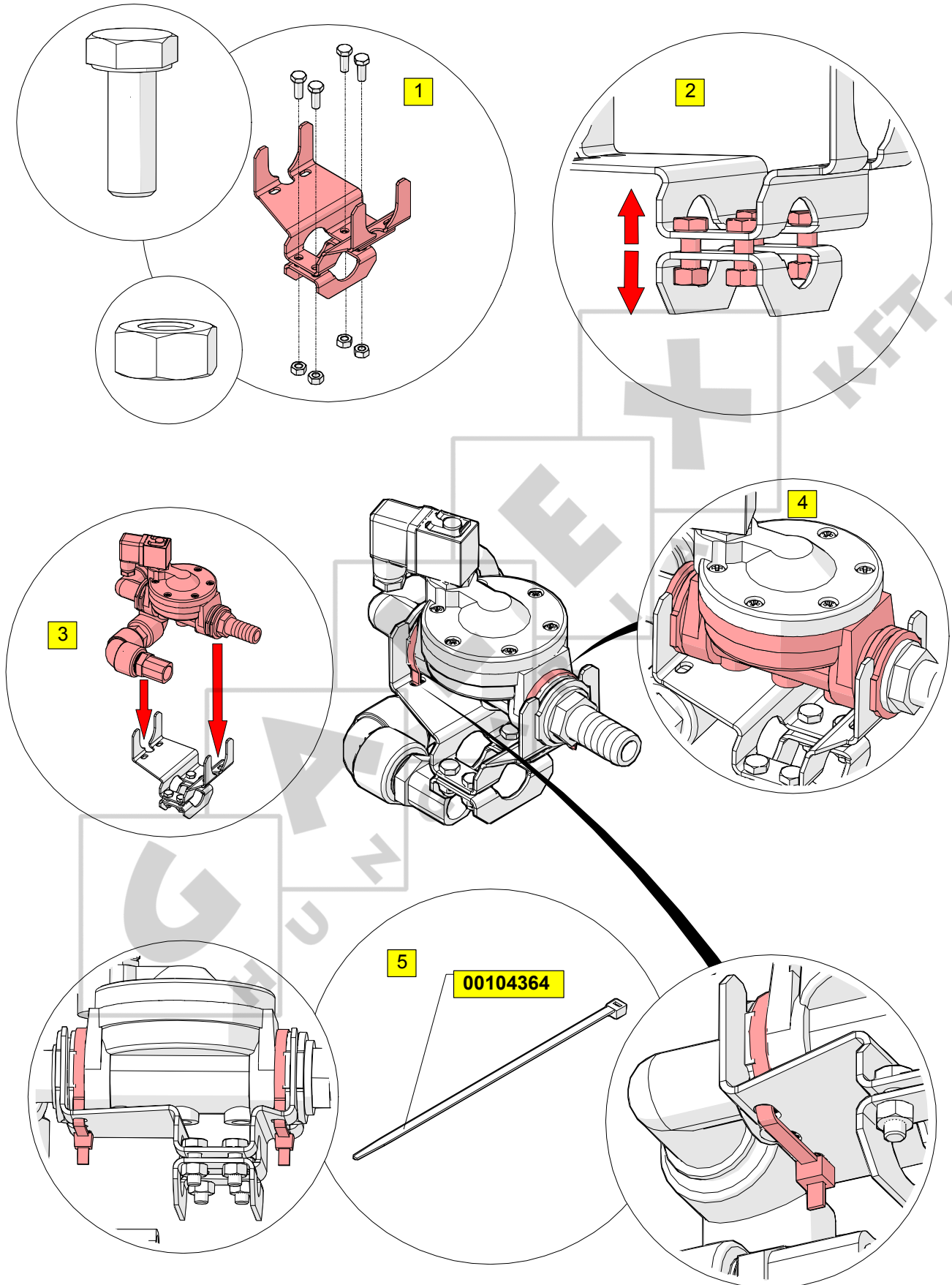
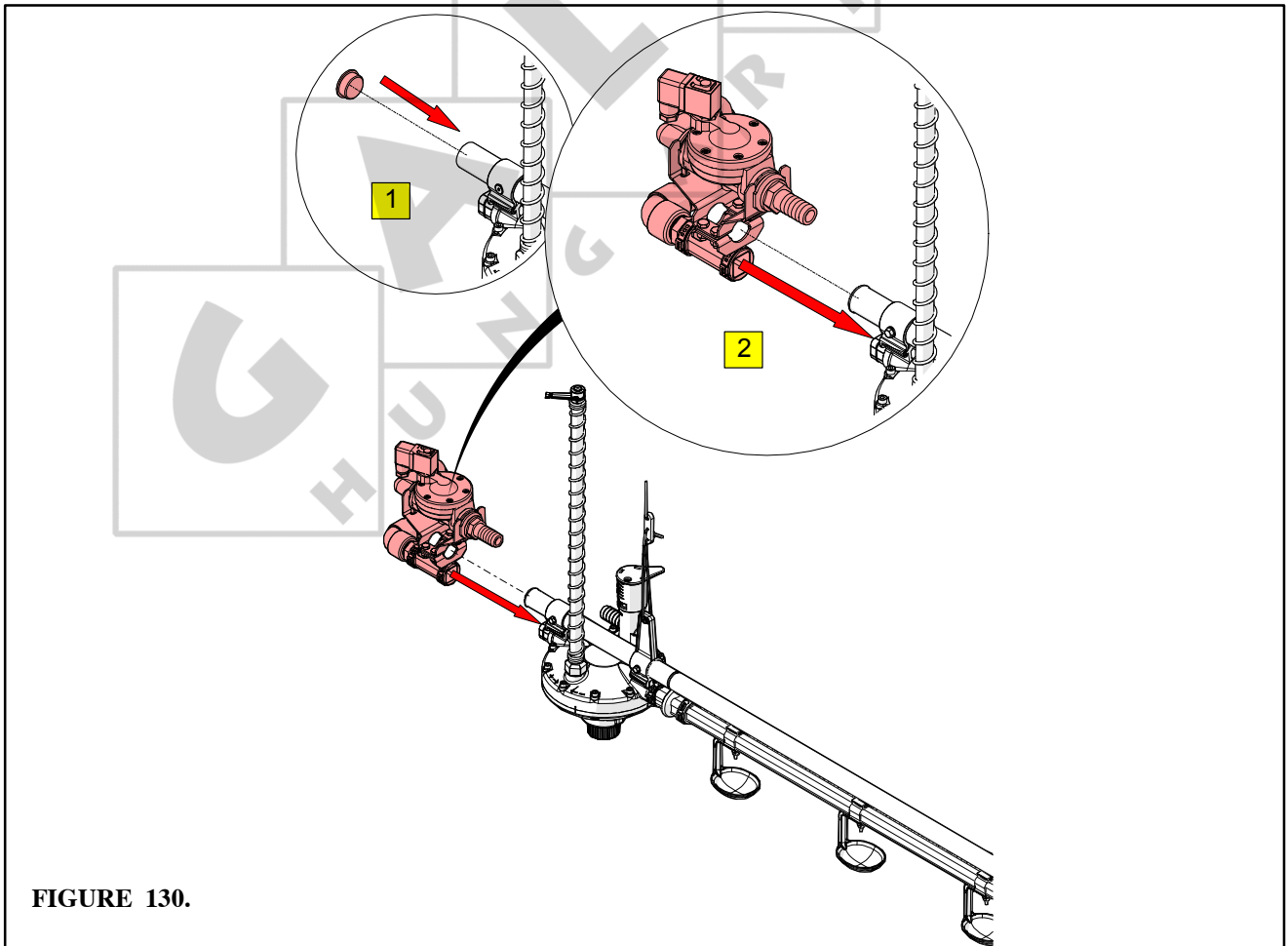
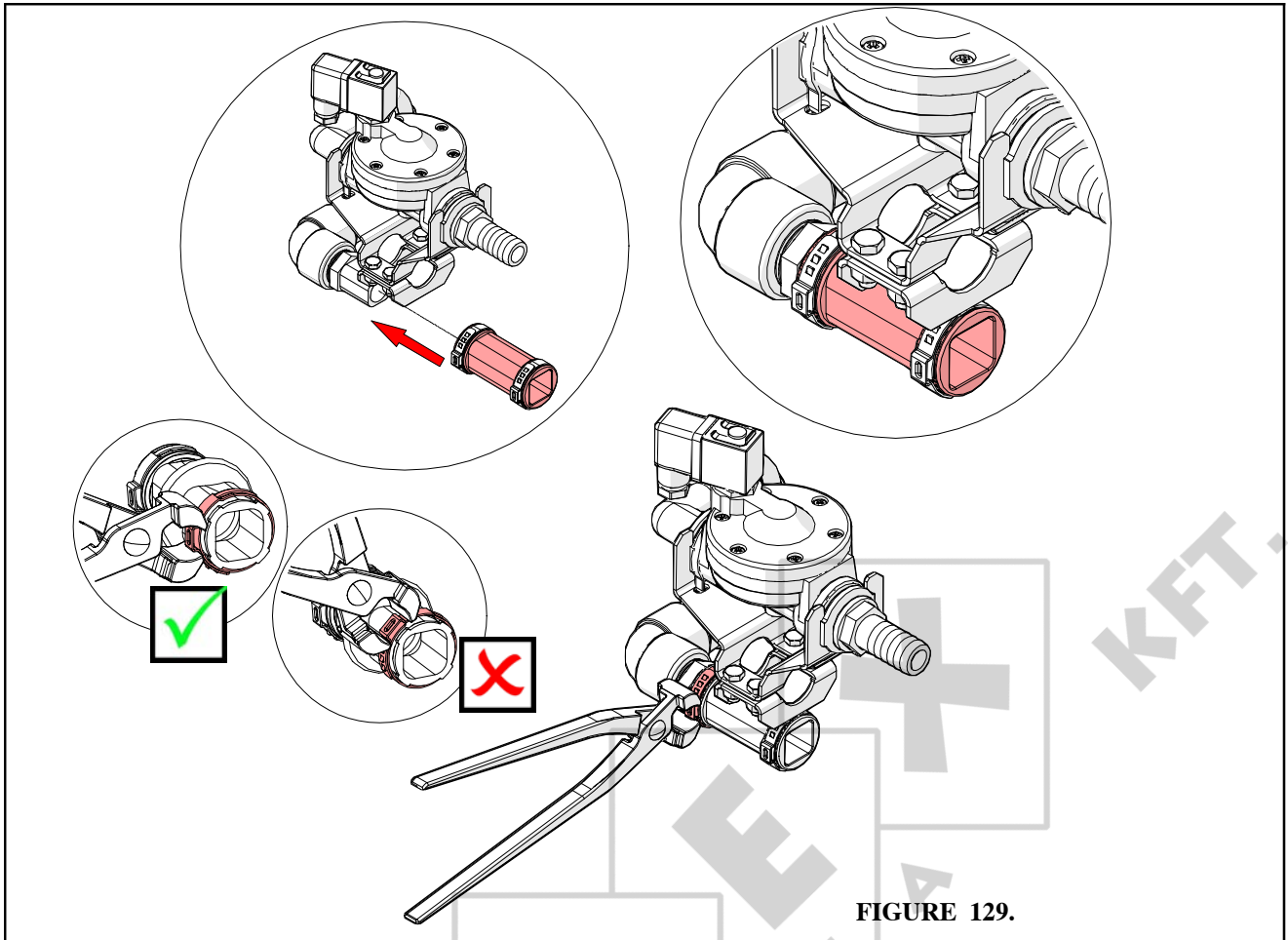


FIGURE 128.



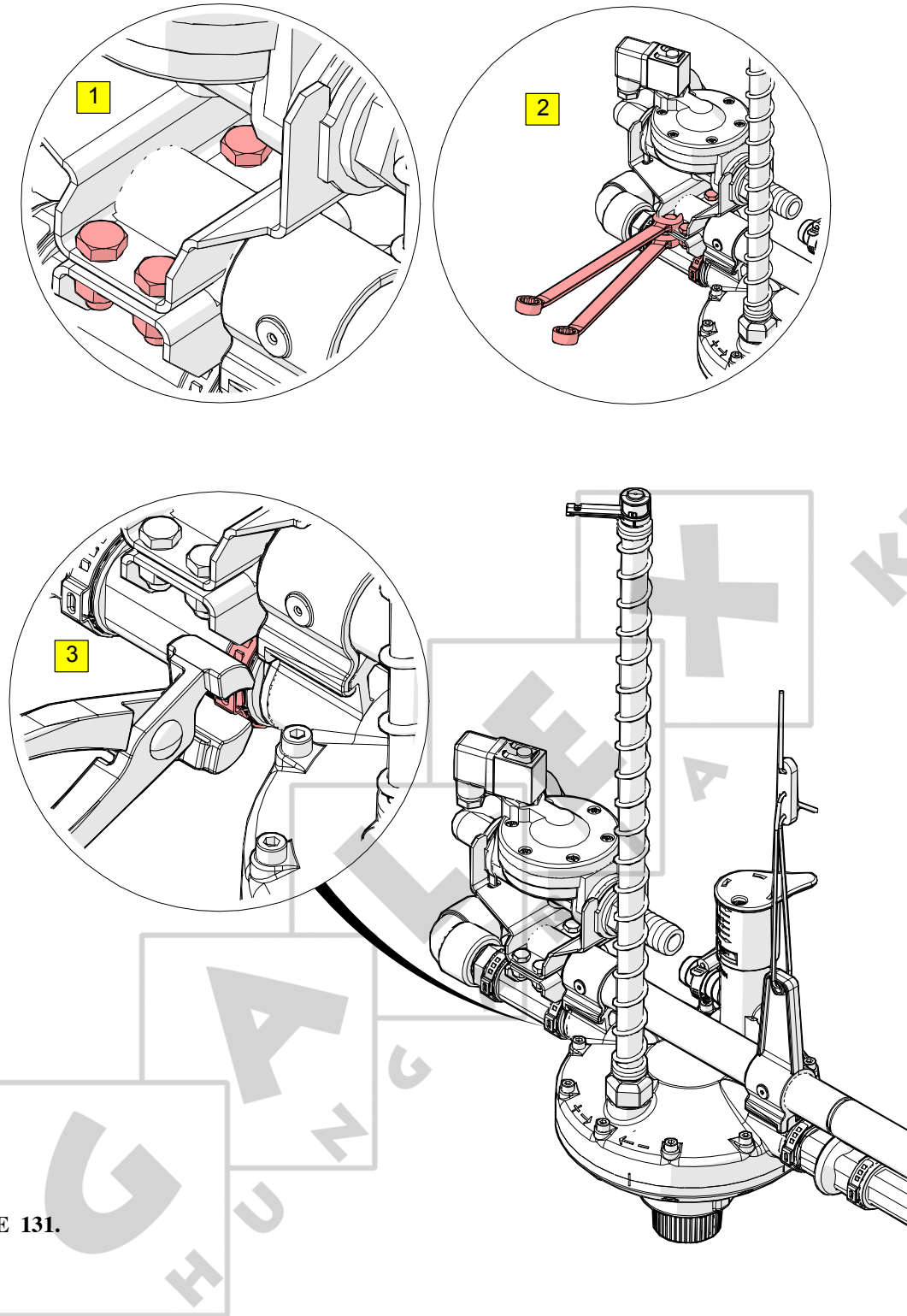


FIGURE 131.

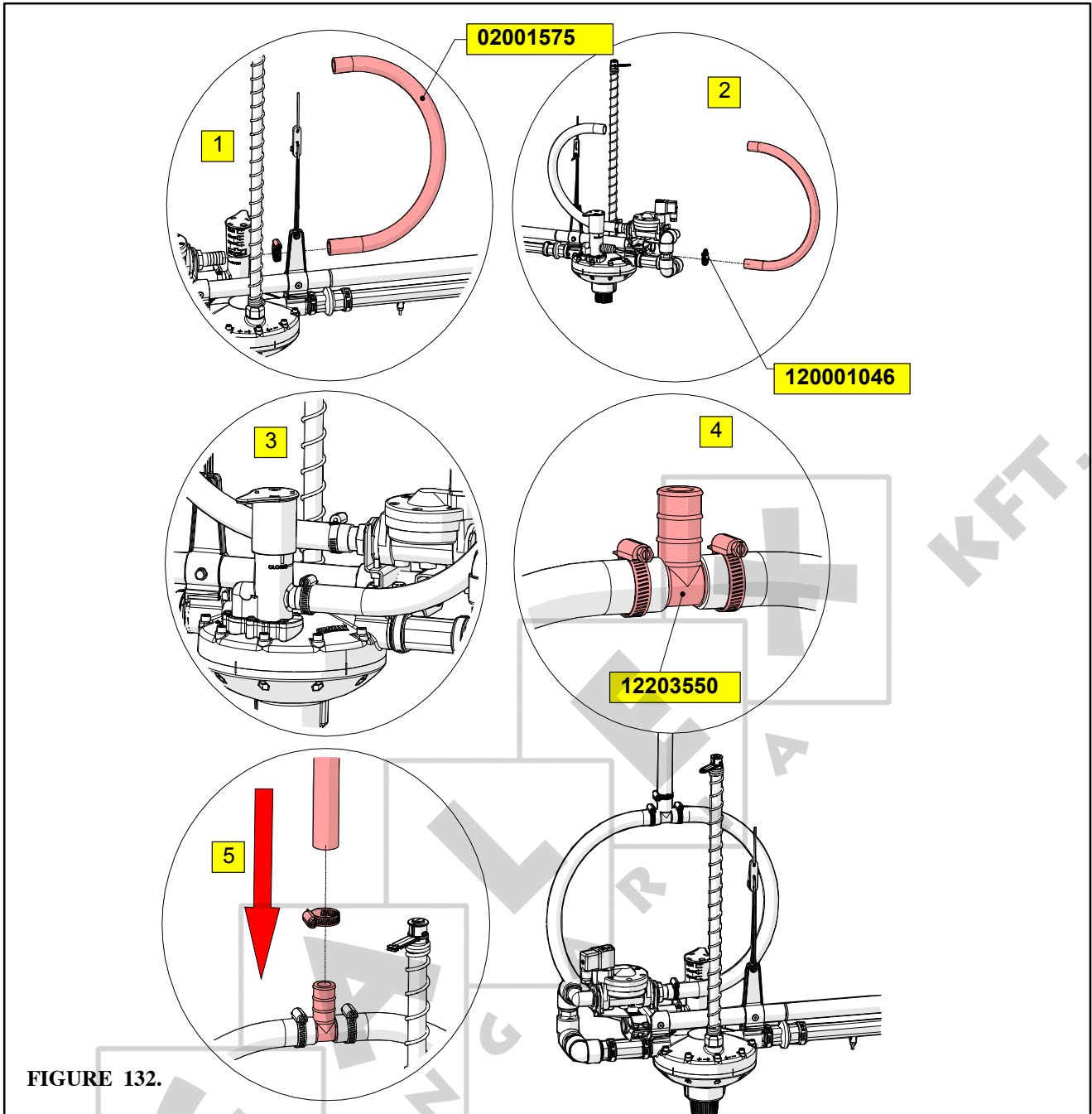


FIGURE 132.

OPTION: TO CONNECT THE SPIRAL HOSE

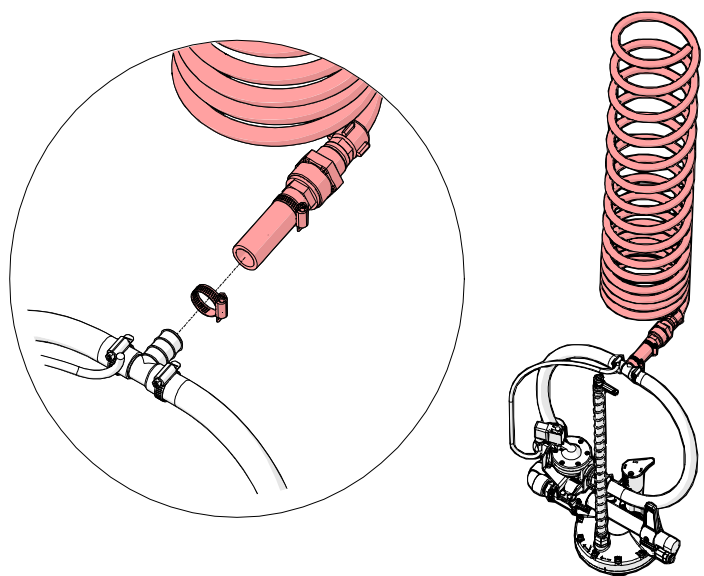
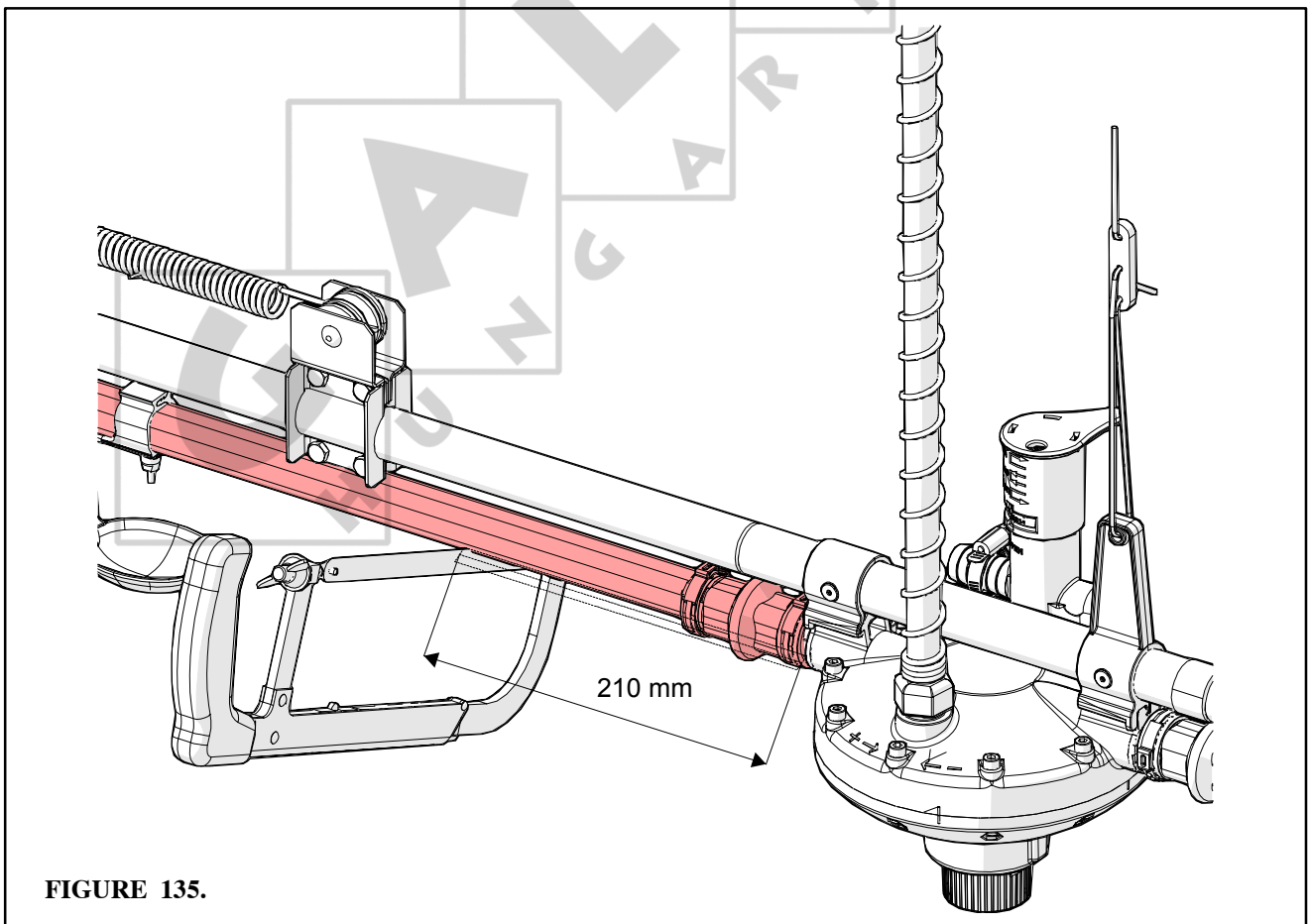
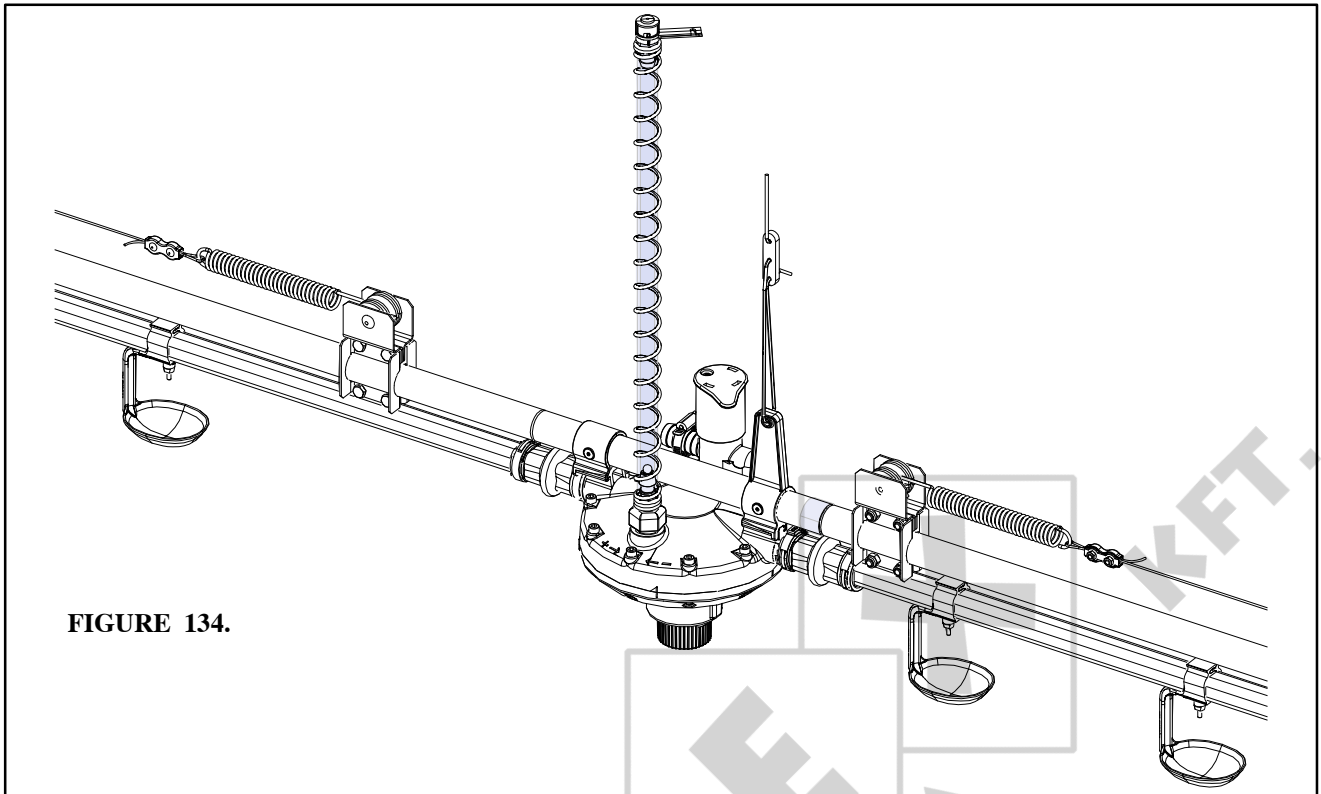
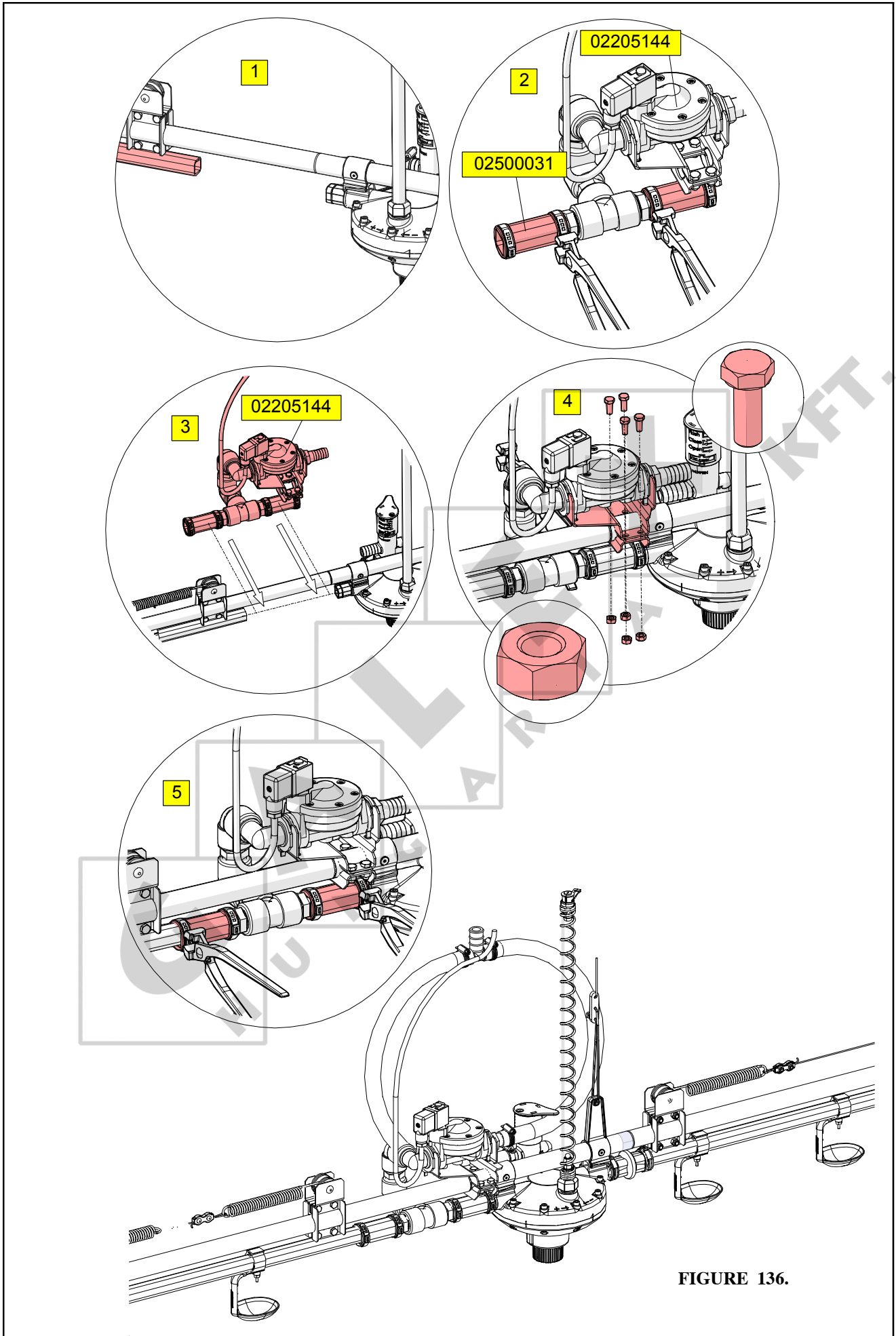


FIGURE 133.

AUTOMATIC MID LINE FLUSHING





TO CONNECT THE TEMPERATURE SENSOR

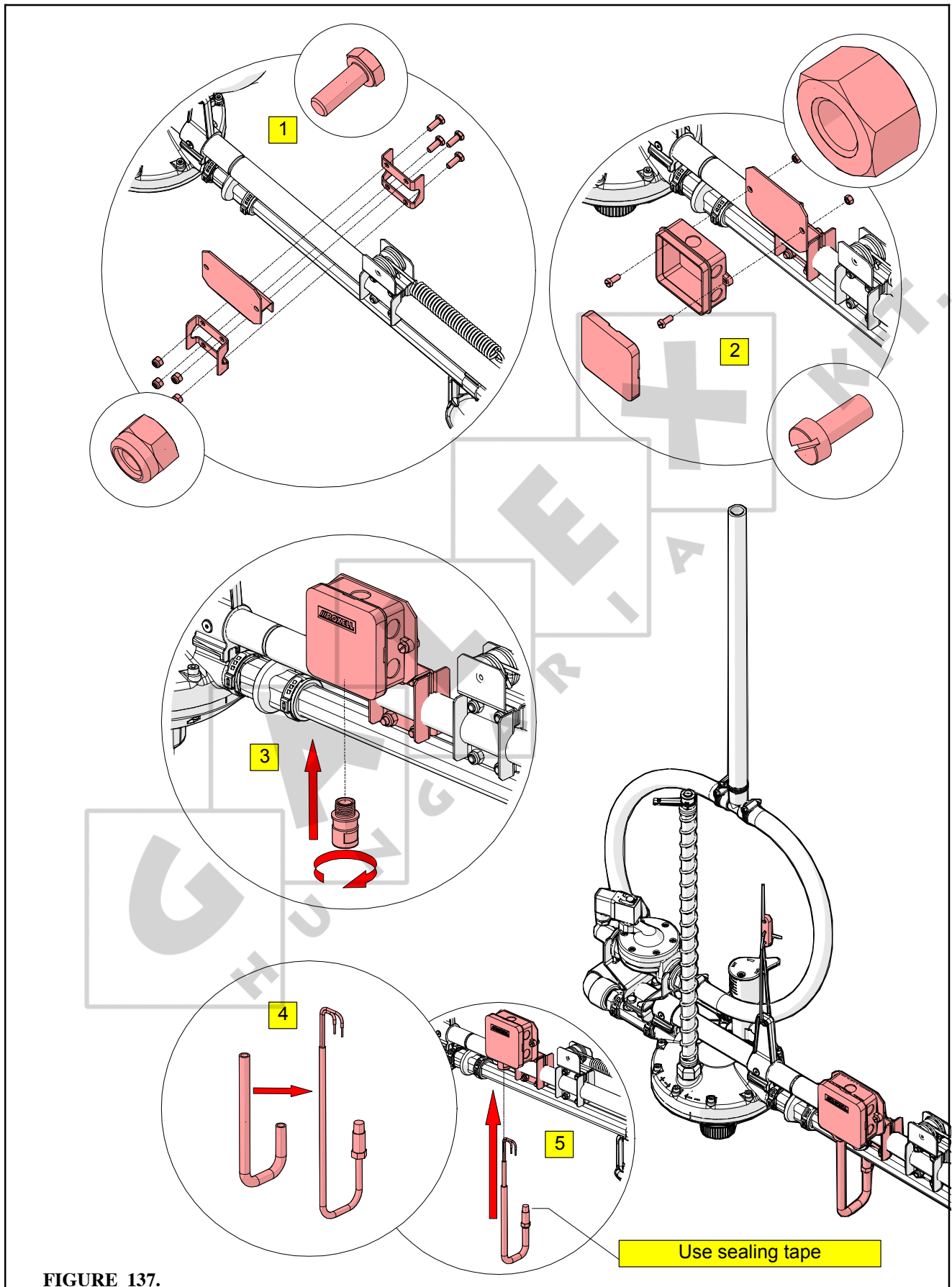
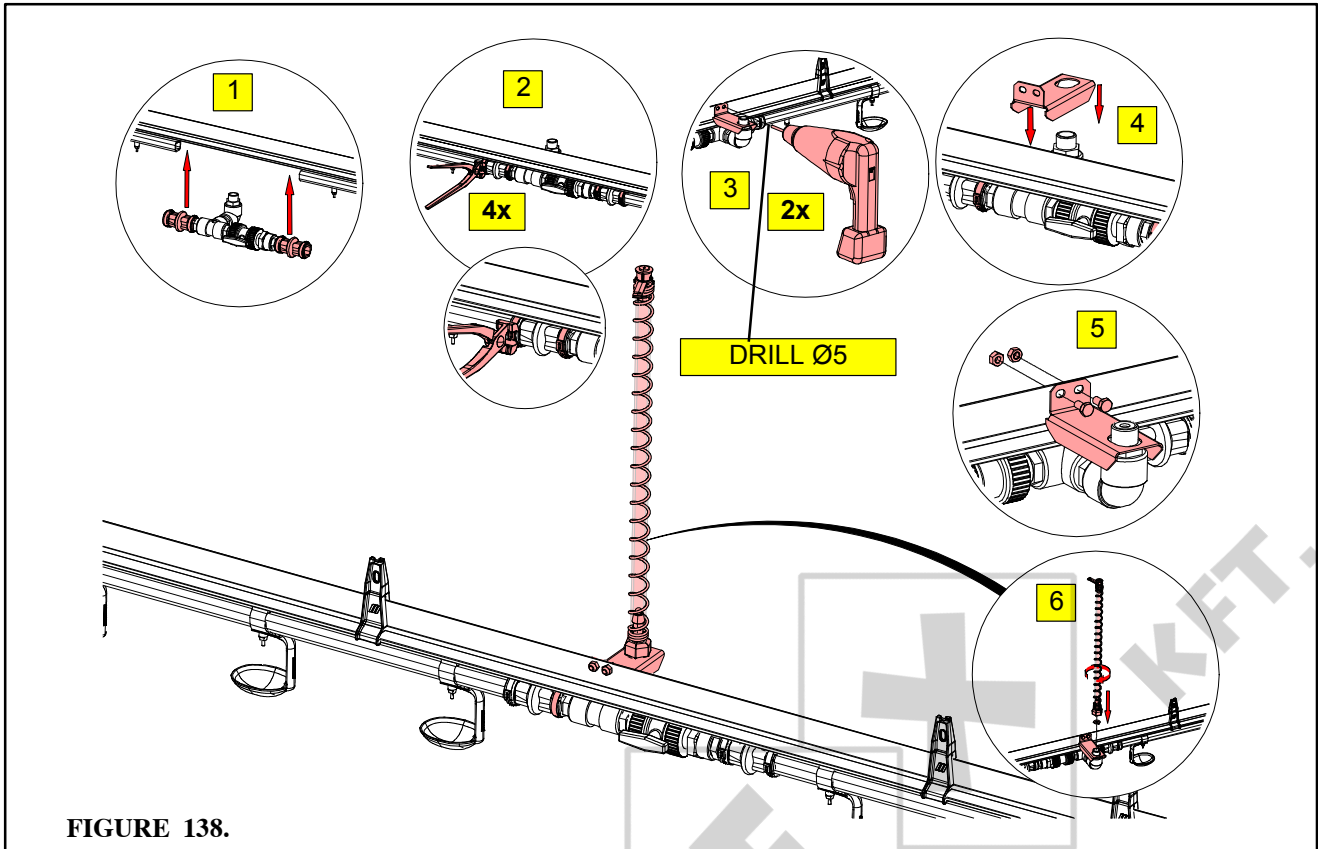
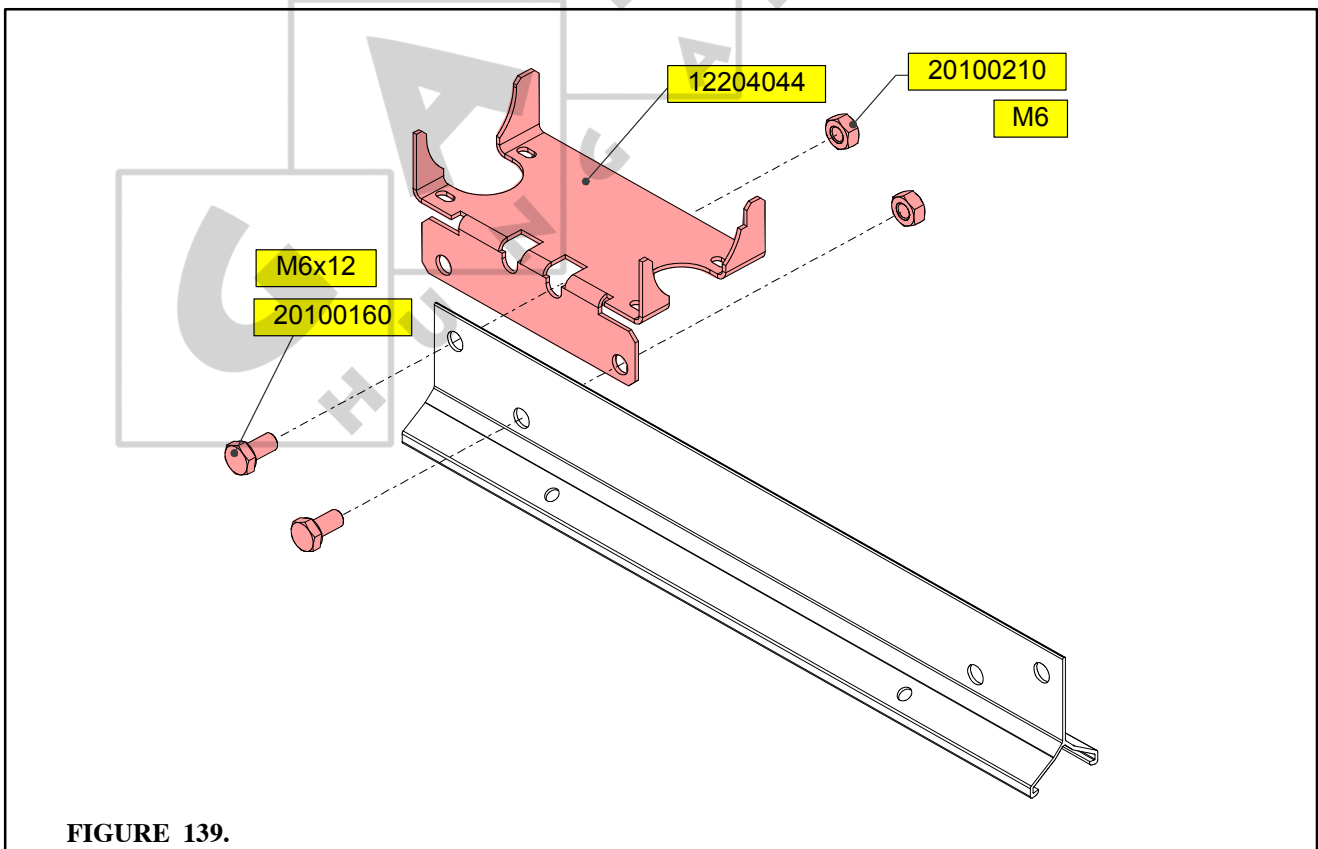
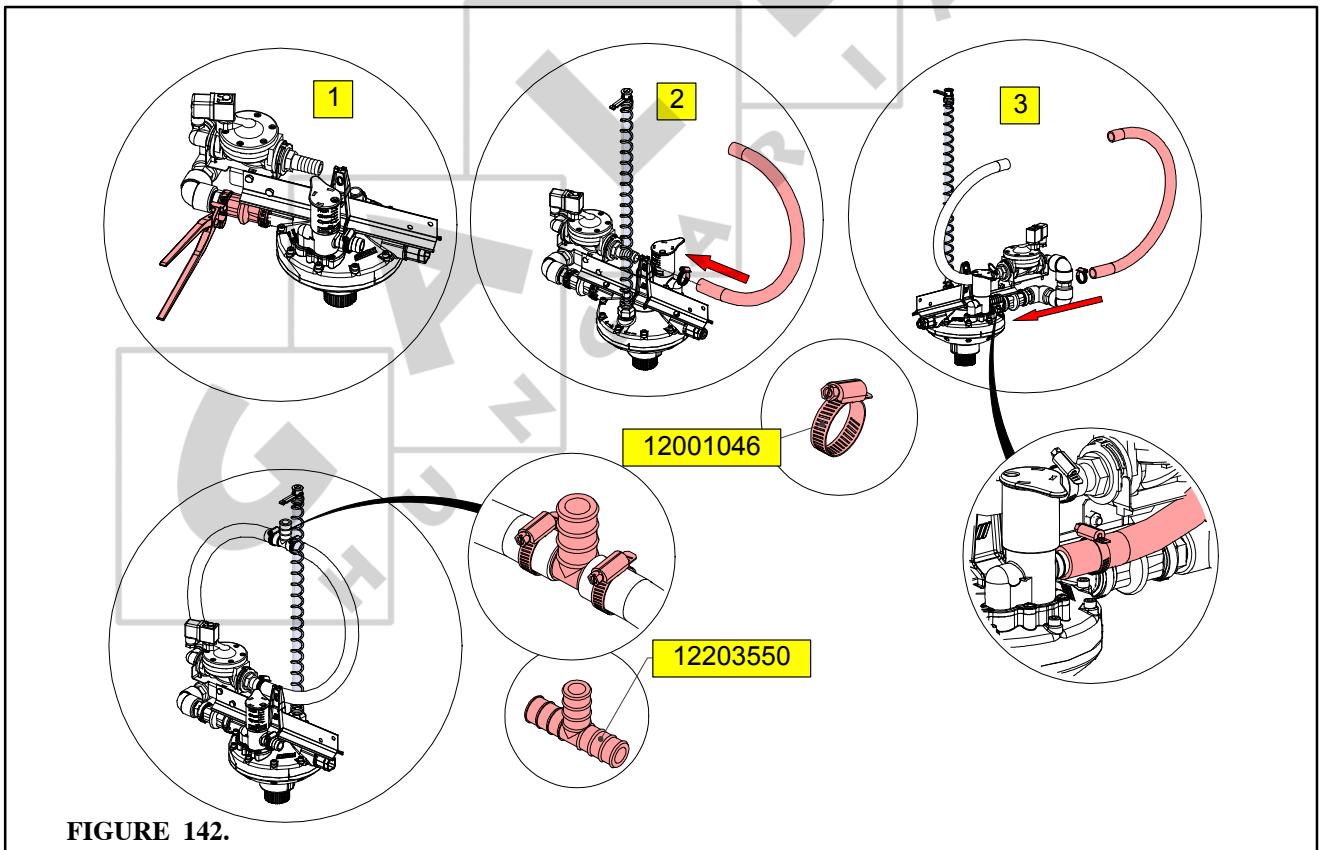
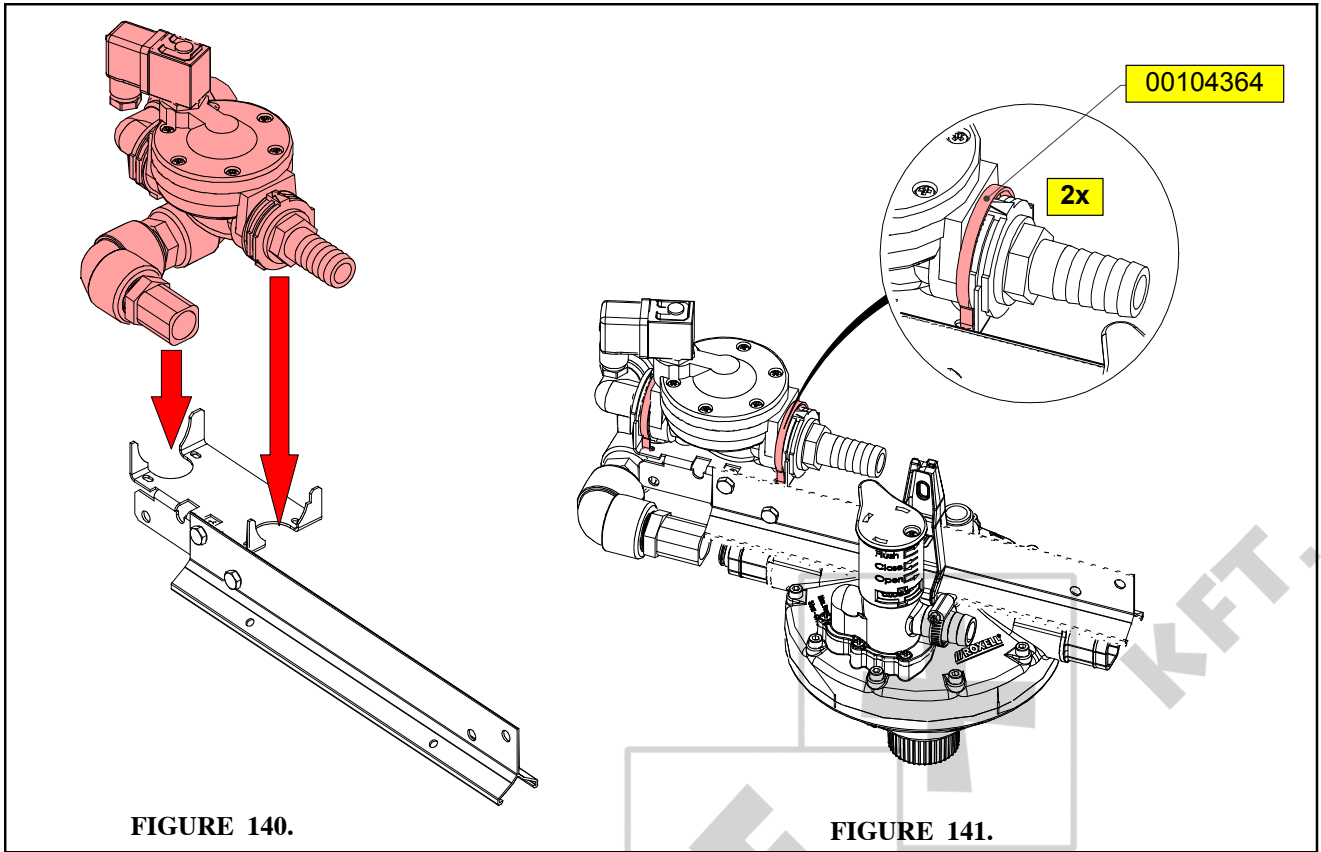


FIGURE 137.

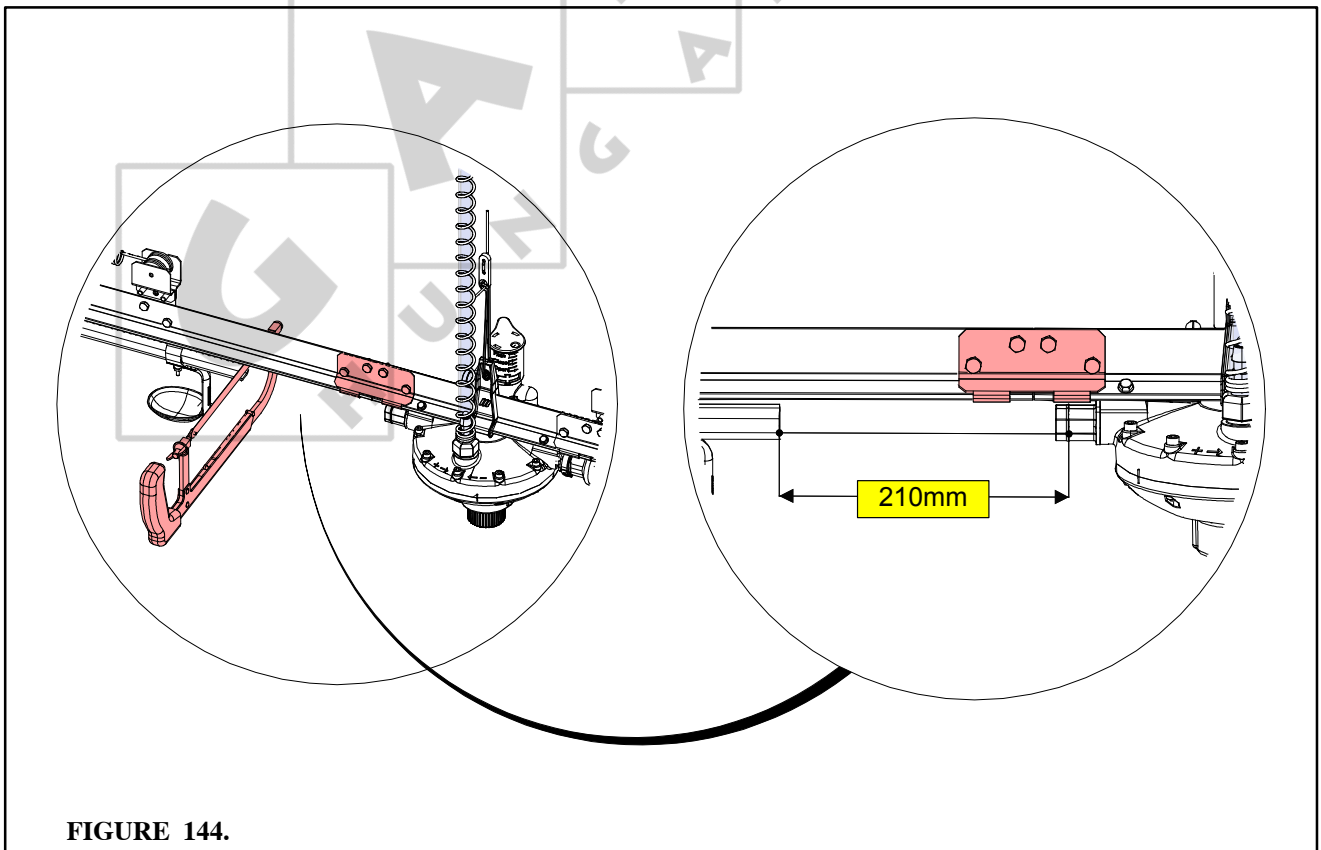
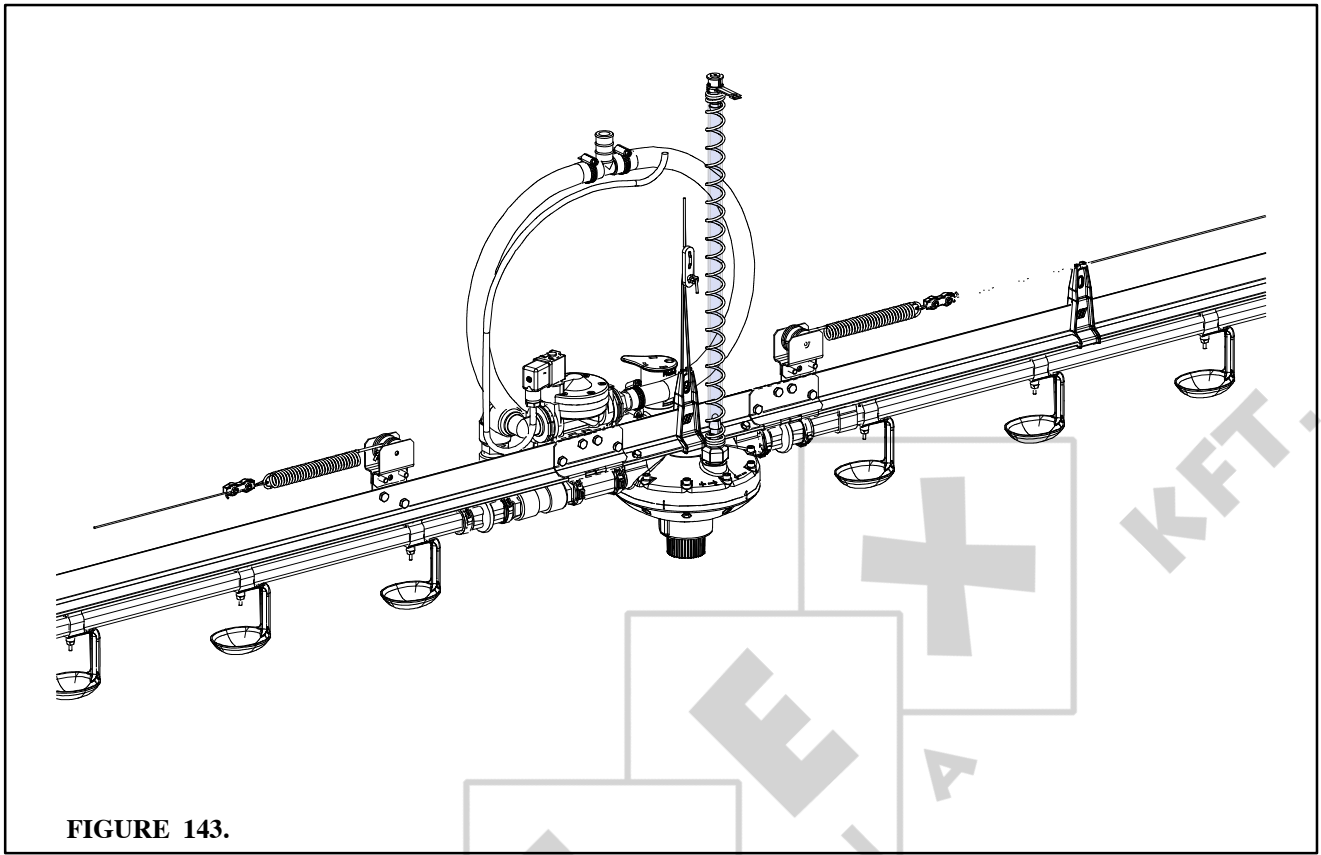


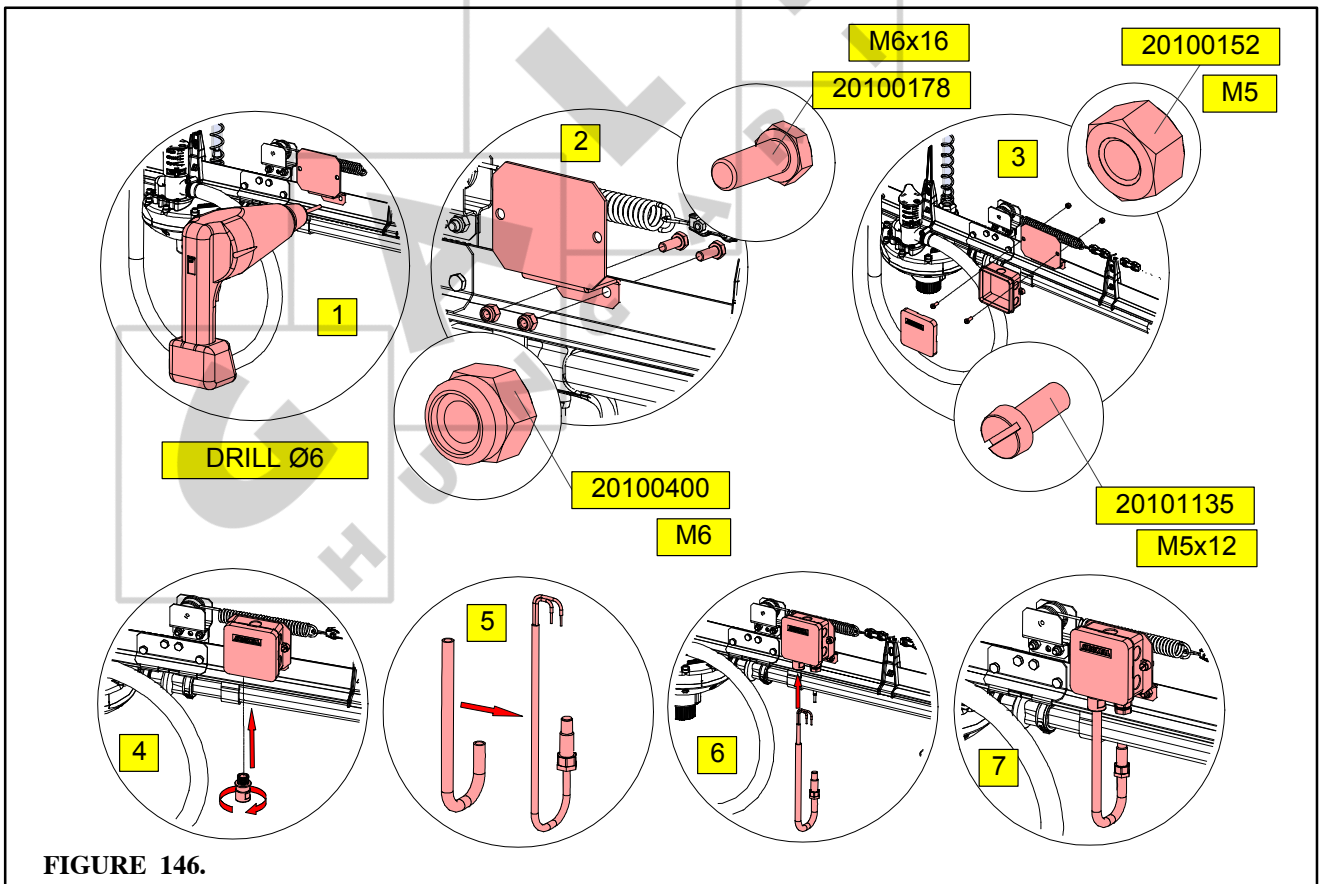
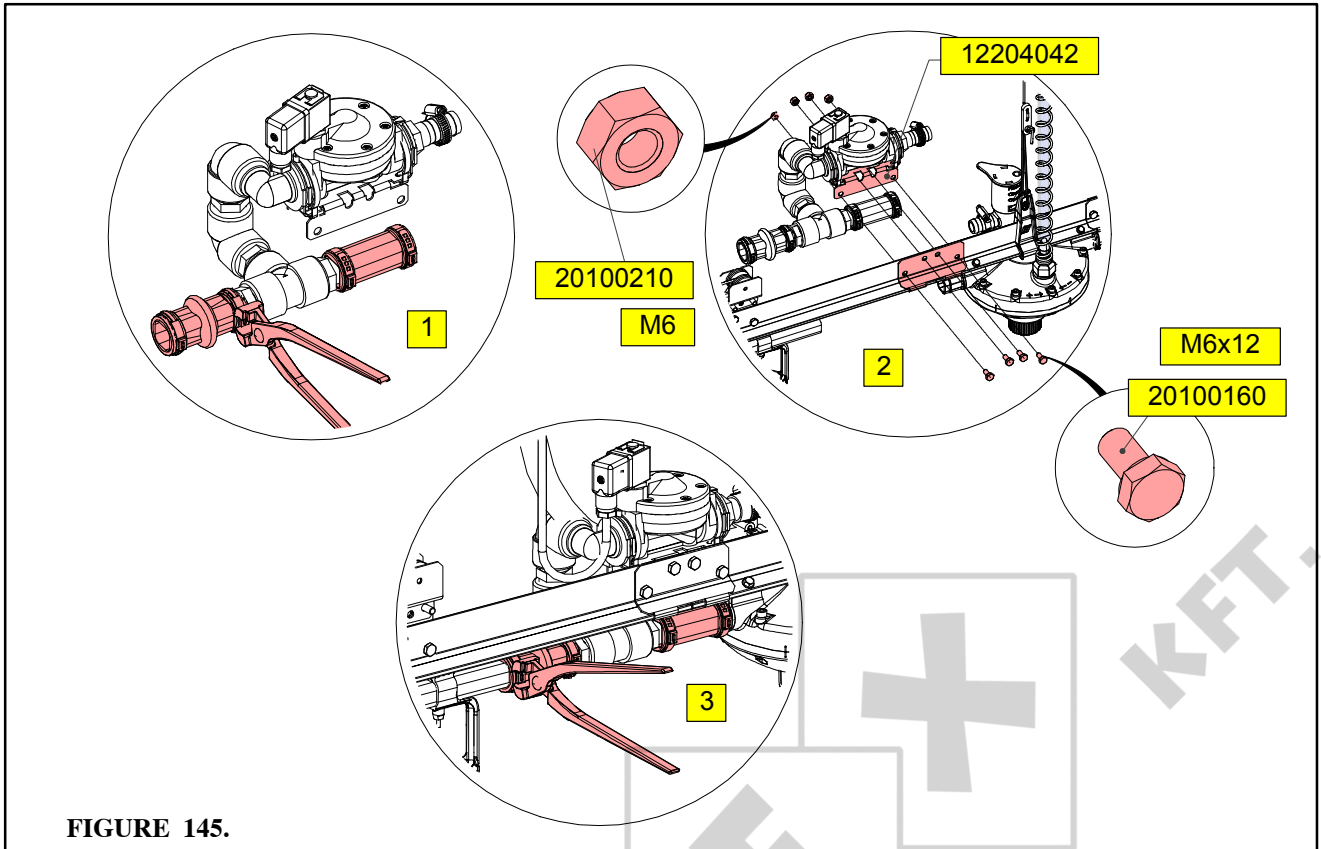
AUTOMATIC FLUSHING FRONT - ALUMINIUM PROFILE





AUTOMATIC MID LINE FLUSHING - ALUMINIUM PROFILE





TO CONNECT THE ELECTRICAL FLUSH CONTROLLER

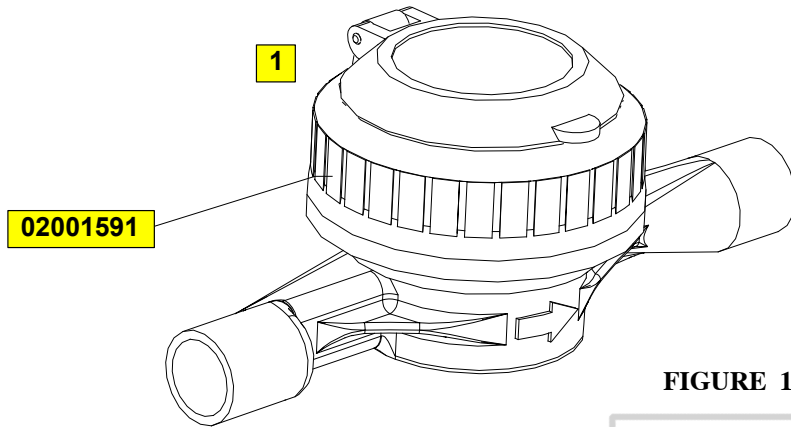


FIGURE 147.

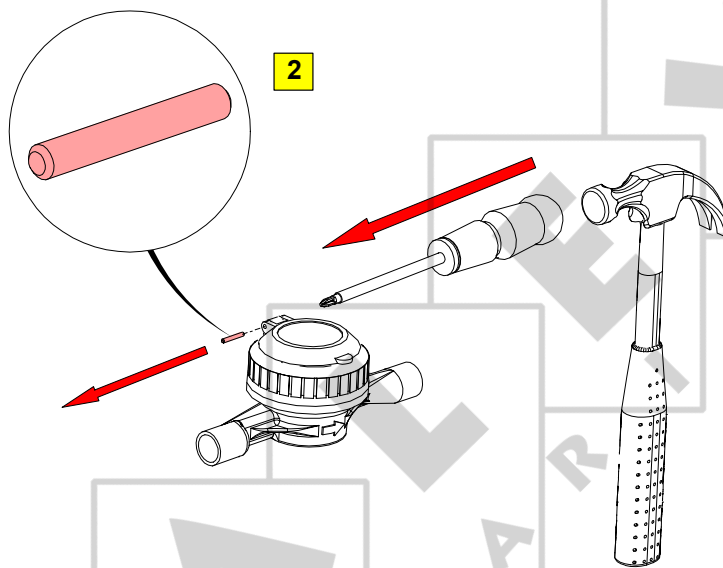


FIGURE 148.

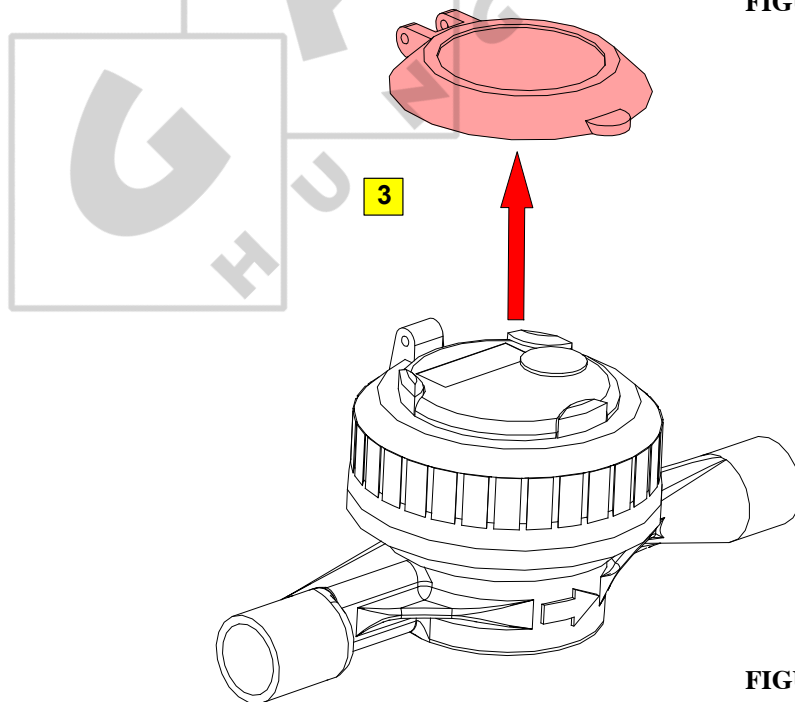


FIGURE 149.

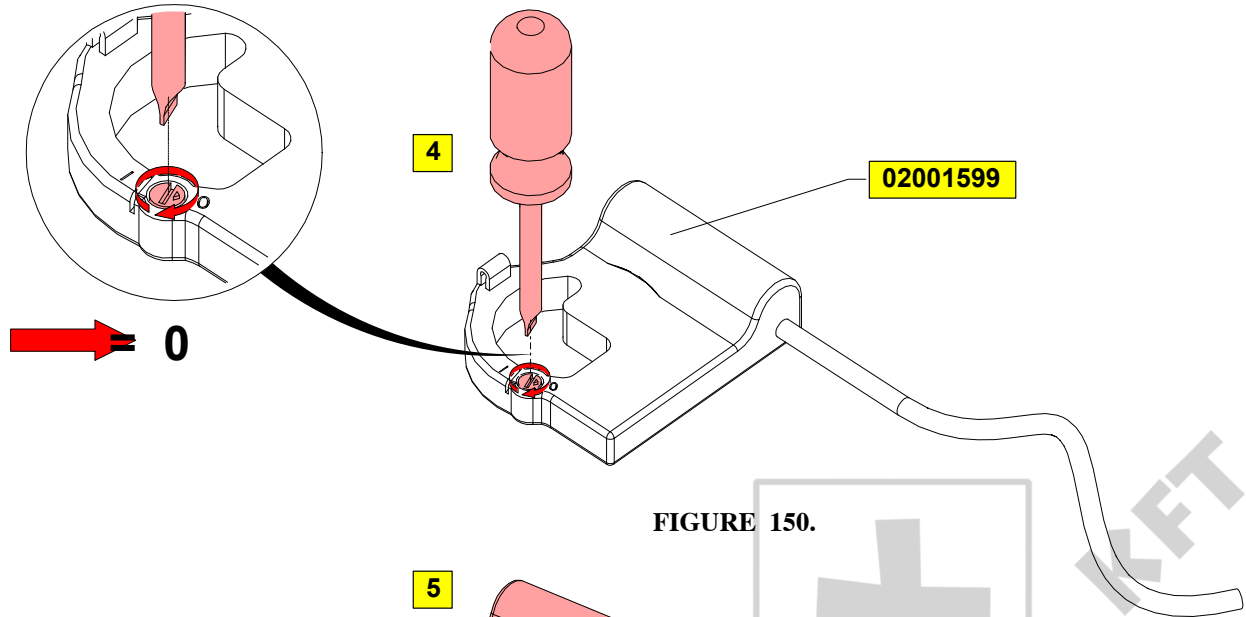


FIGURE 150.

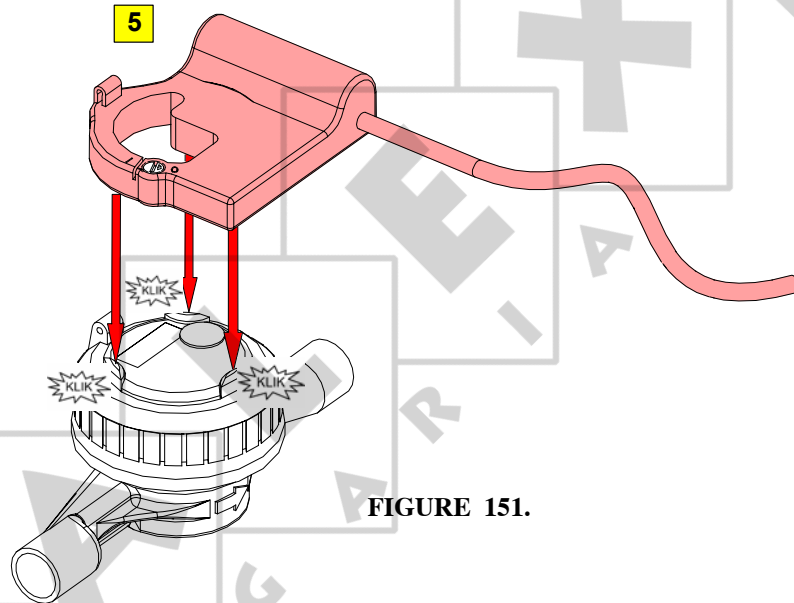


FIGURE 151.

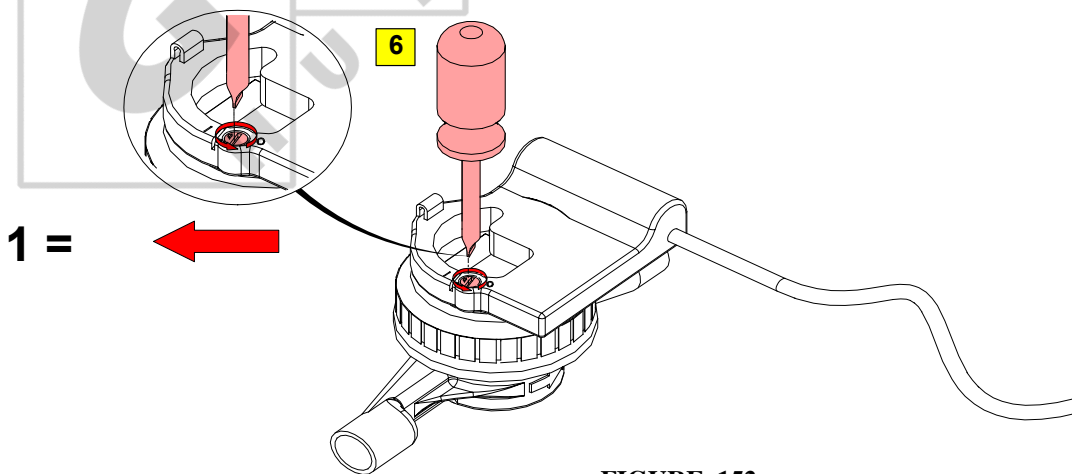


FIGURE 152.

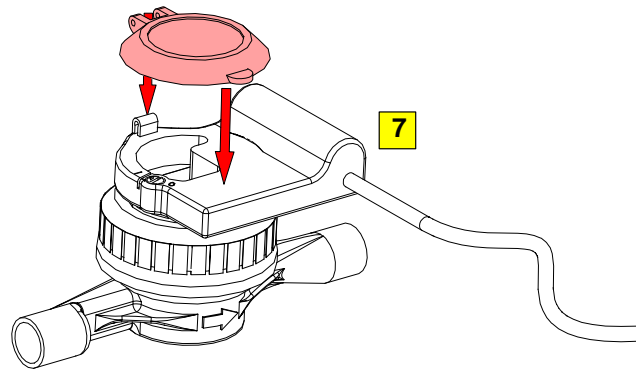


FIGURE 153.

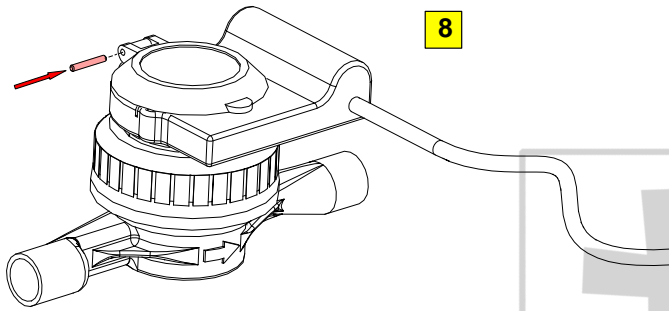


FIGURE 154.

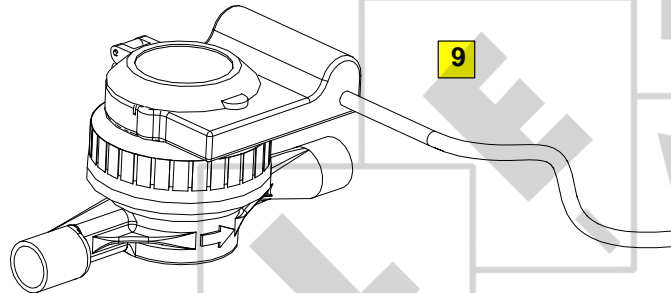


FIGURE 155.

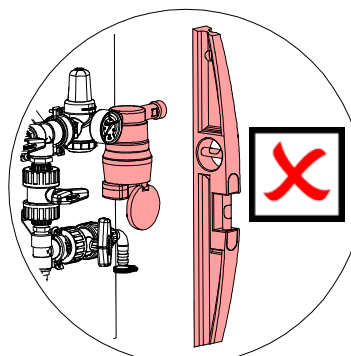
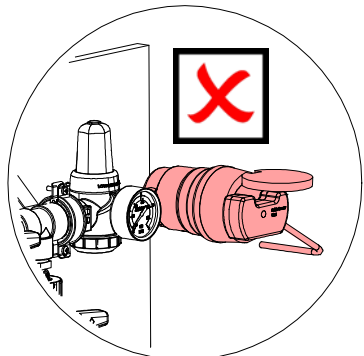
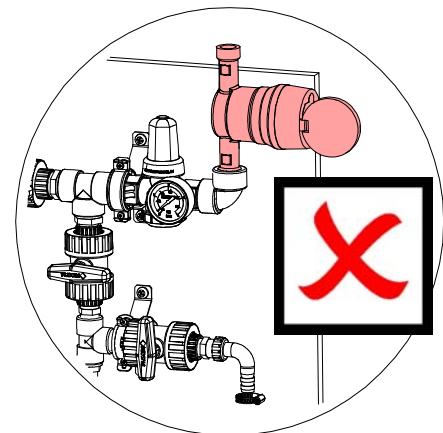
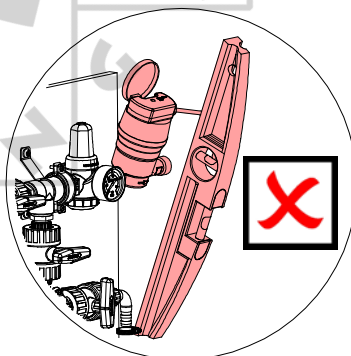
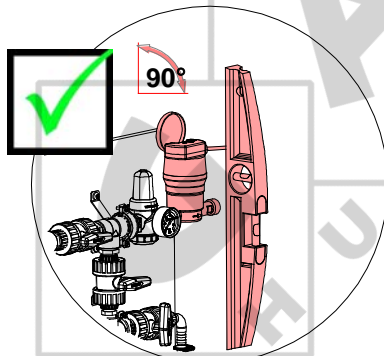


FIGURE 156.

Use only white (+) and brown (-) wire!

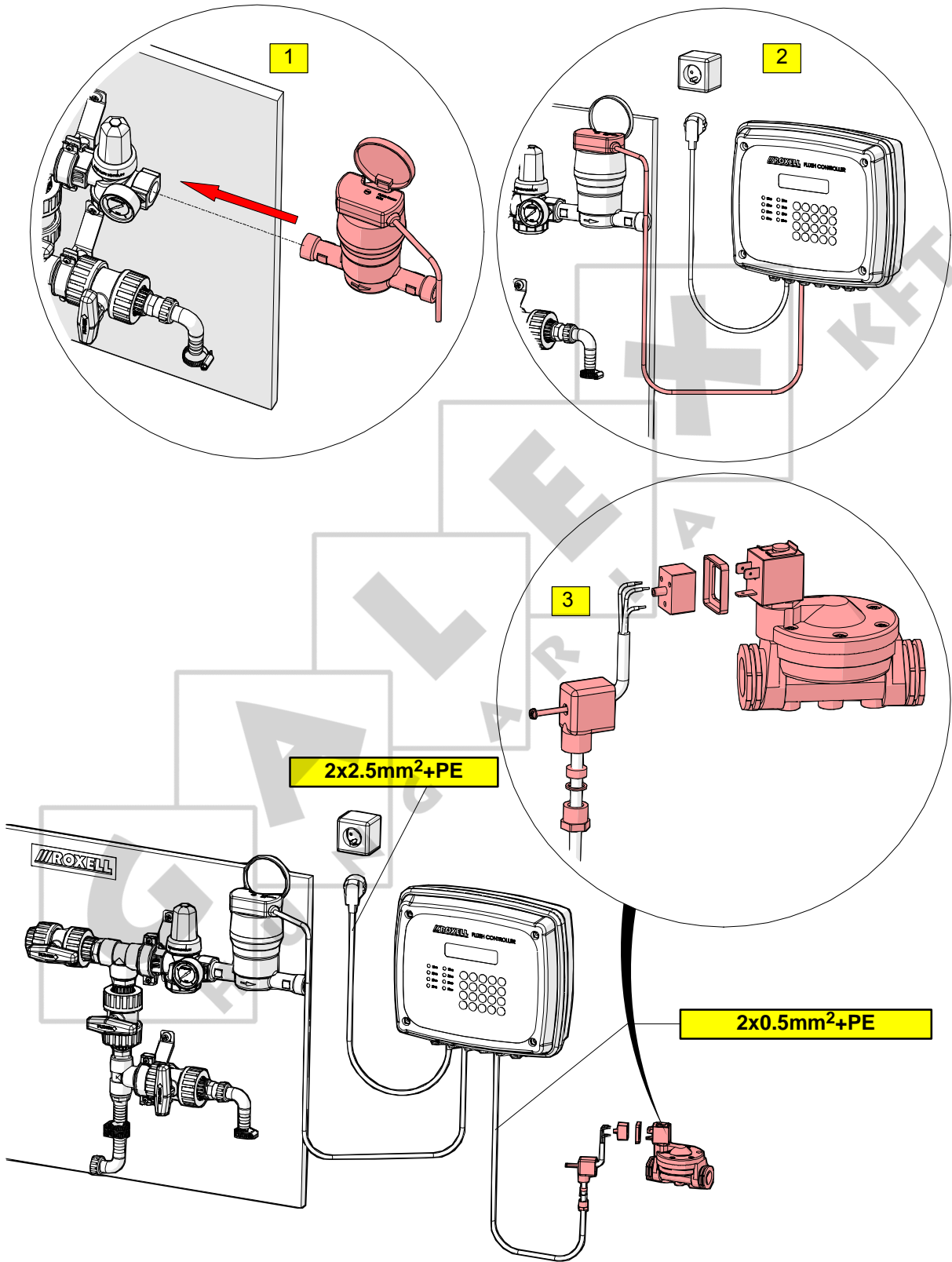


FIGURE 157.

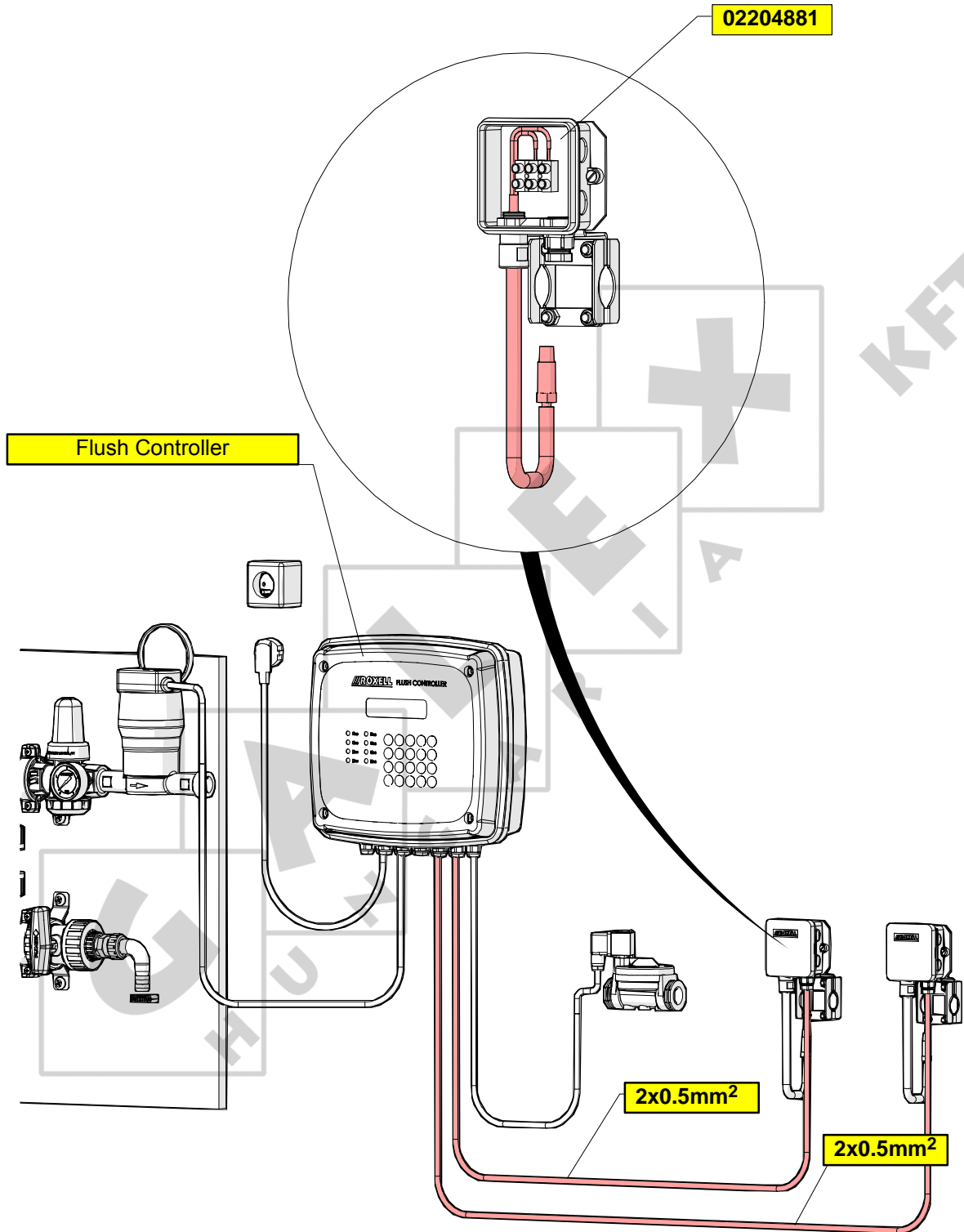


FIGURE 158.

TO INSTALL THE DRAIN TUBE

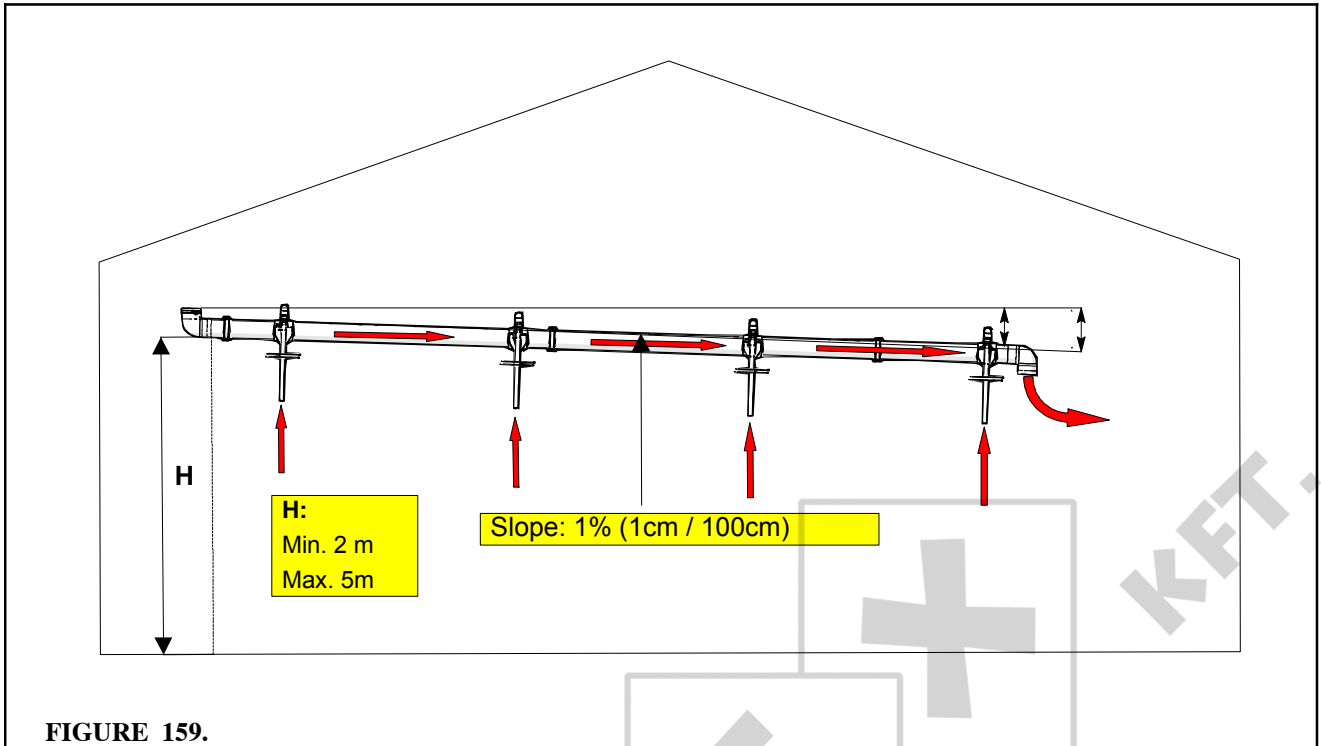


FIGURE 159.

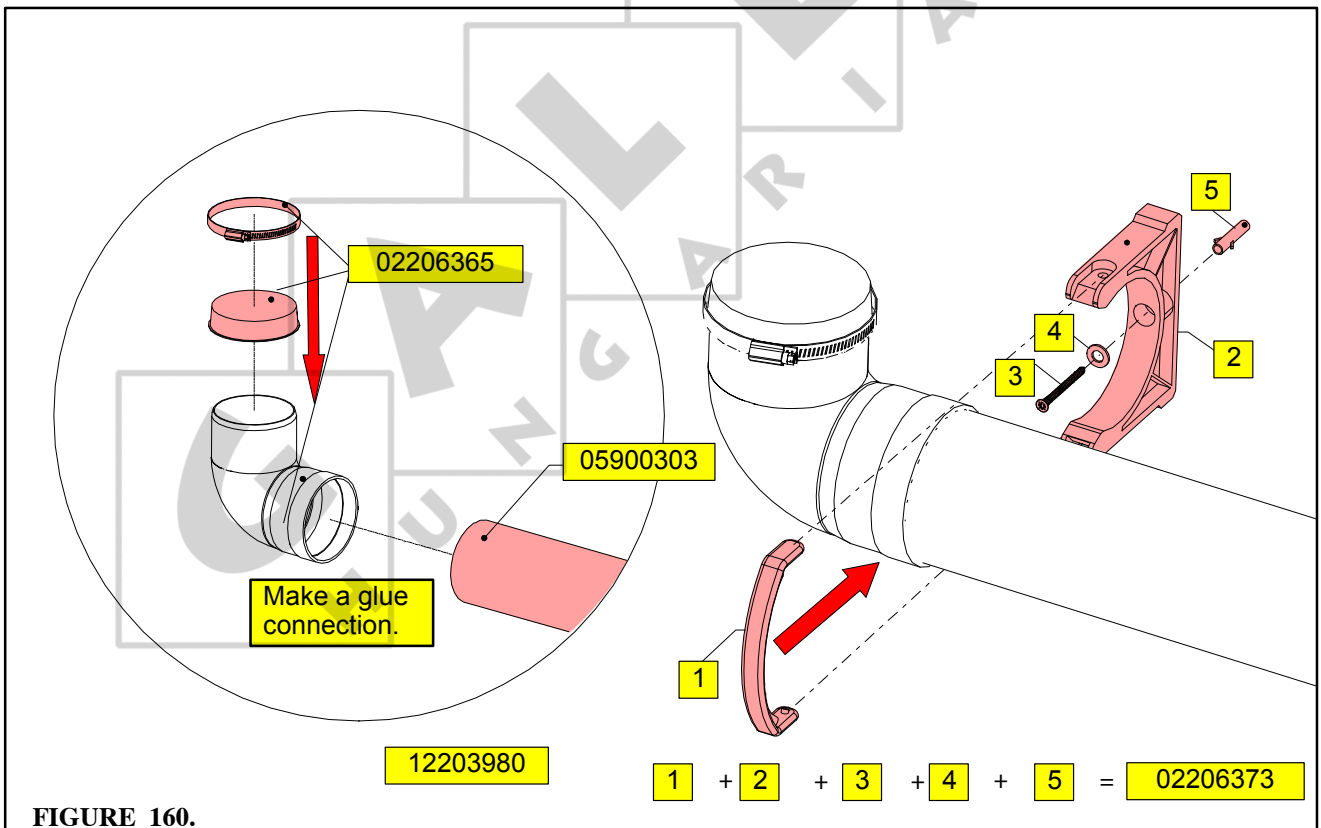
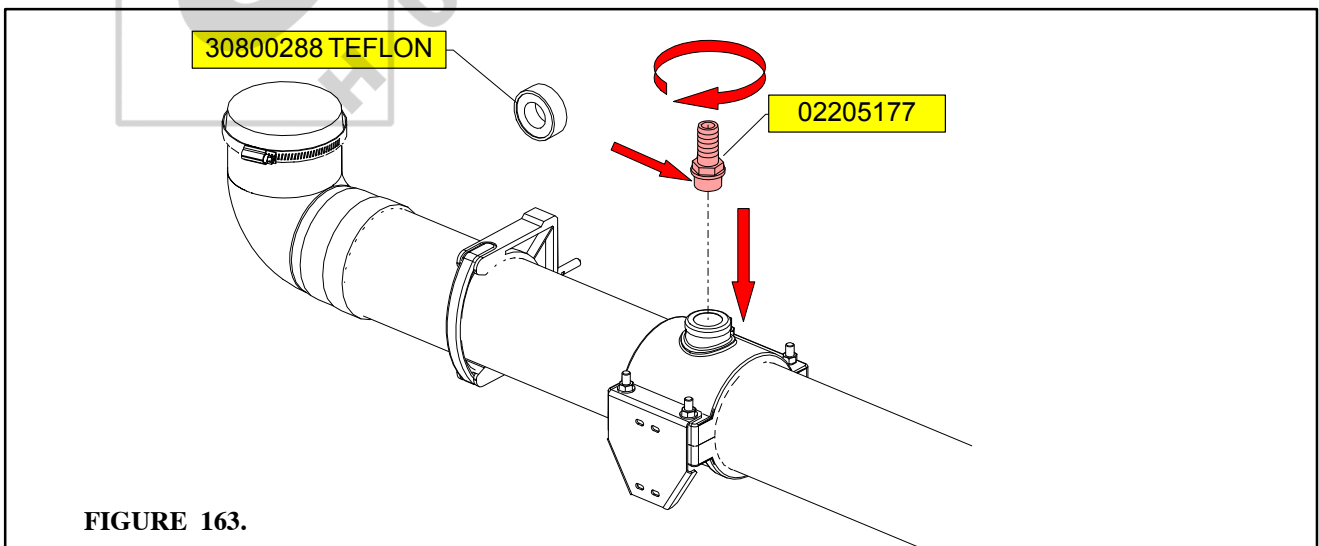
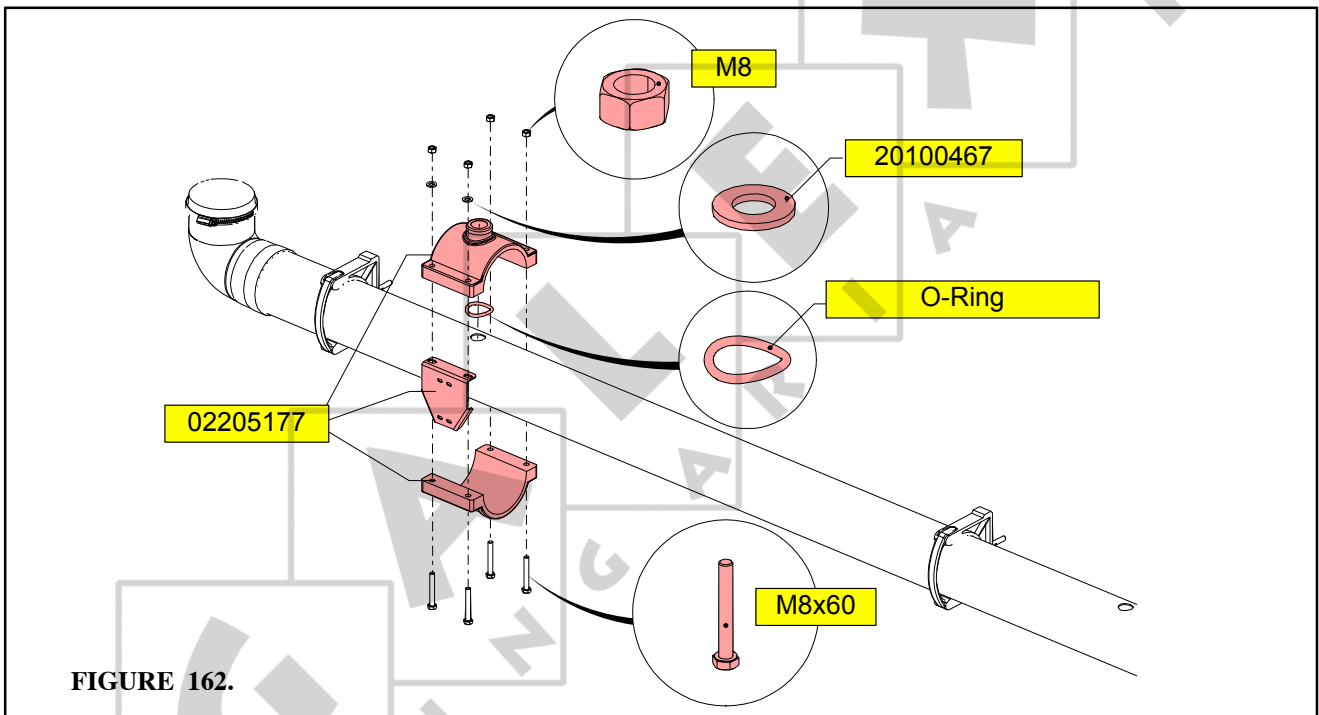
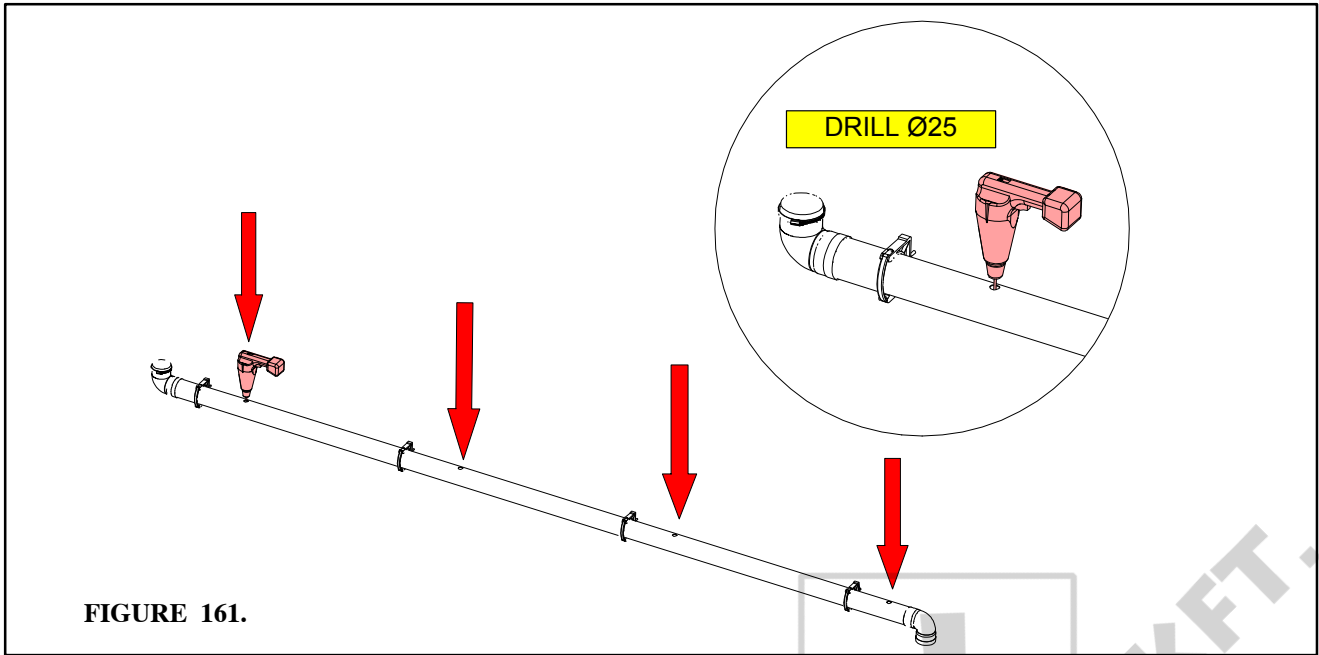
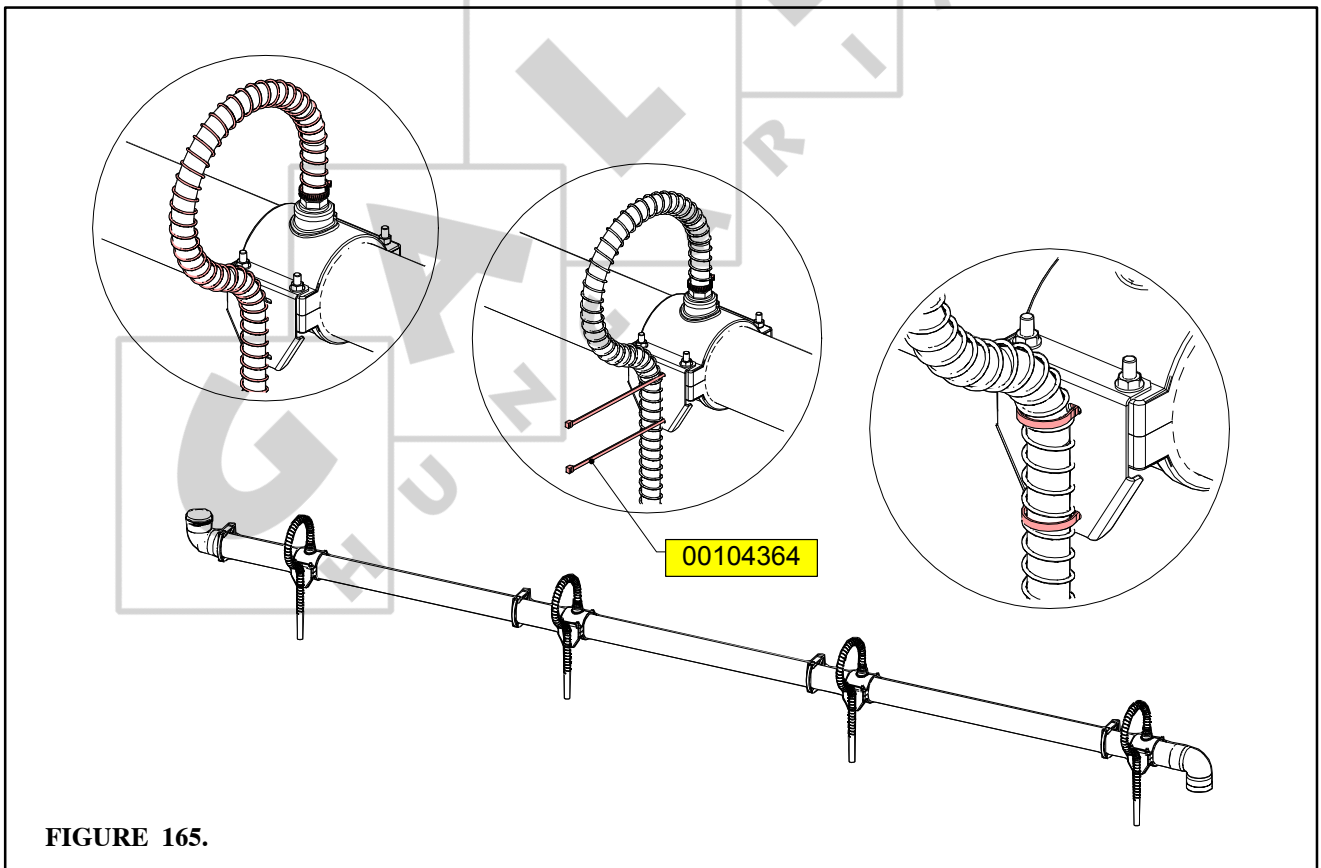
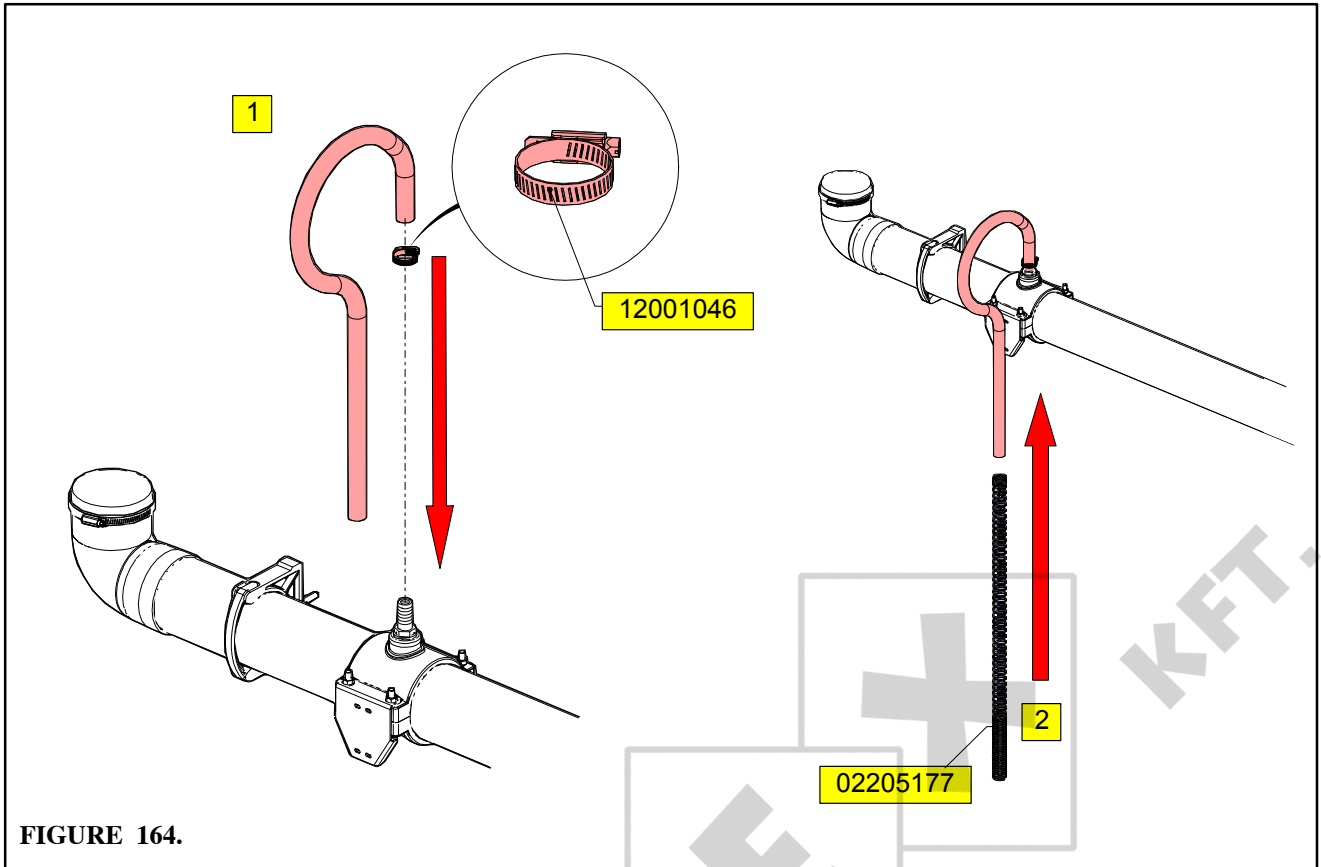
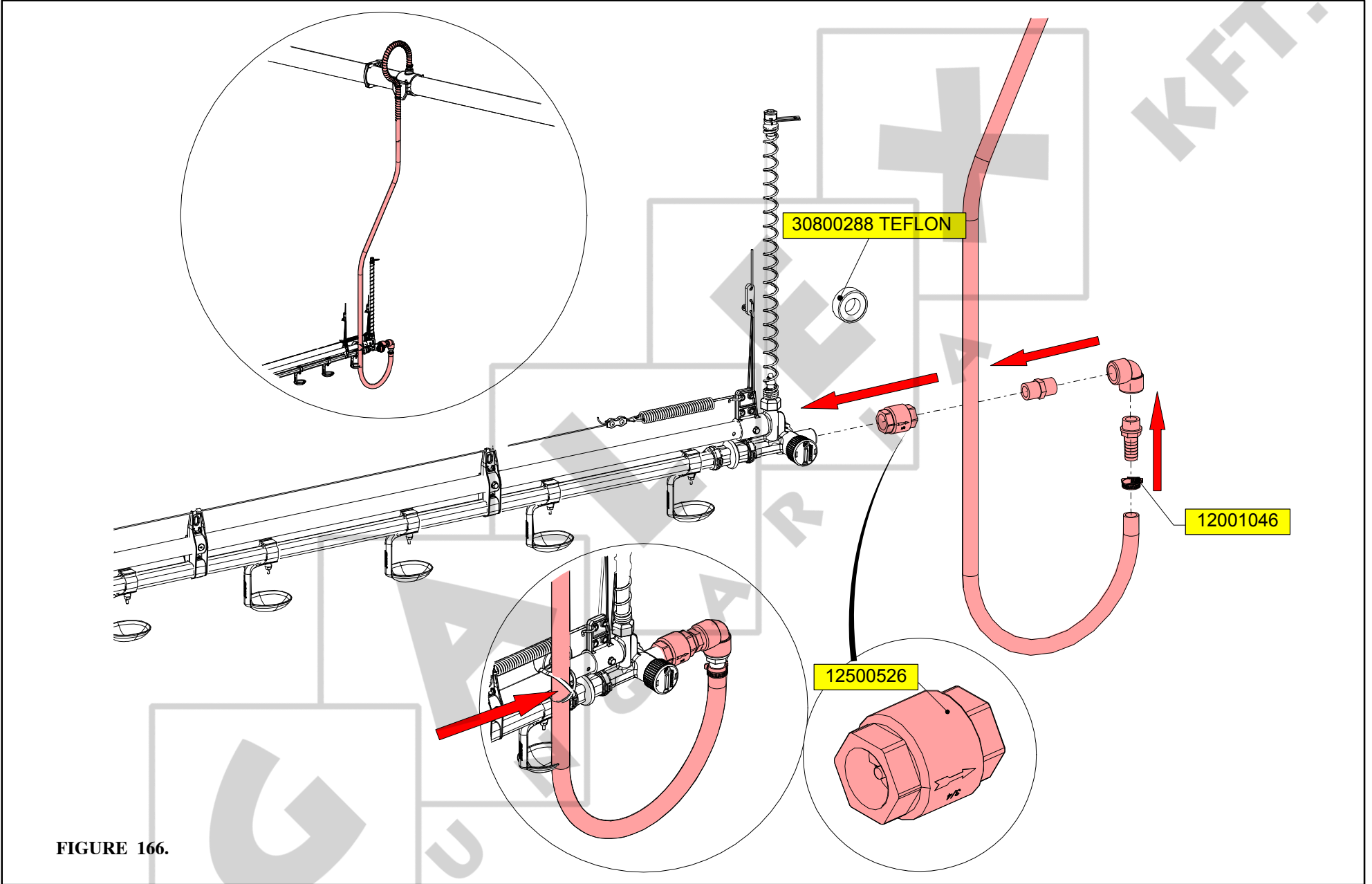


FIGURE 160.







KEF!

U
FU

G
H

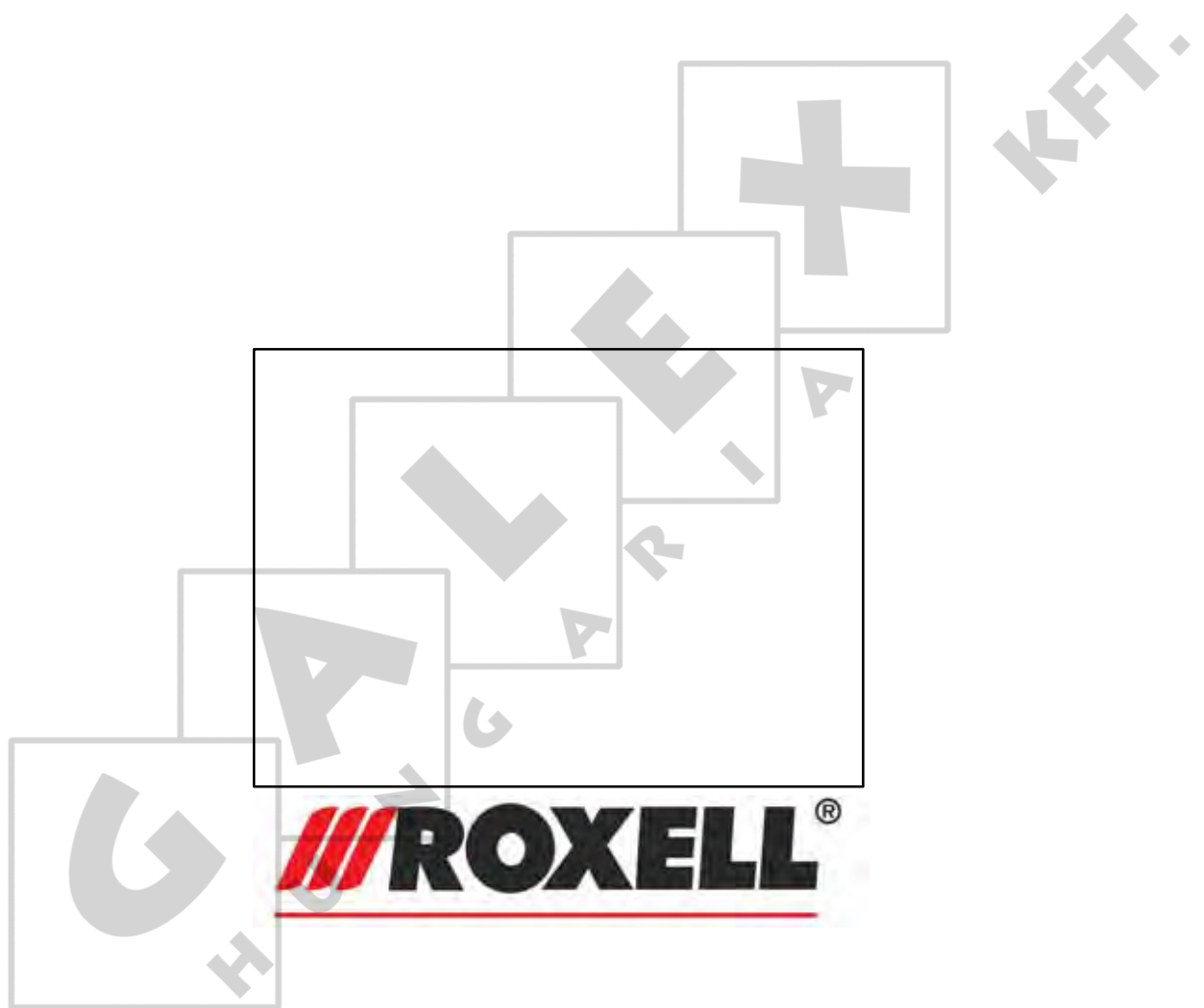
A
U

L
N

E
R

A
+

KET.



ROXELL bvba, Industrielaan 13, B-9990 Maldegem (Belgium)
Tel. +32 50 72.91.72 - Fax. +32 50 71.67.21 - E-mail info@roxell.com - Website www.roxell.com

ROXELL Russia, LLC Roxell, Leningradskiy Prospekt 37, bld. 9, premise № 653, 125167 Moscow, Russian Federation -
OGRN : 1157746055026
Tel: +7 495 9833015 - E-mail info.russia@roxell.com - Website www.roxell.com

ROXELL Malaysia - No. 12 Jalan Anggerik Mokara31/48, Kota Kemuning - Industrial Park, 40150 Shah Alam, Selangor,
Malaysia - Tel: +603 5121 7148 or +603 5121 7150 - Fax: +603 5121 7146 - A division of CTB Malaysia Sdn. Bhd.
(868715-X) - E-mail: info.malaysia@roxell.com - www.roxell.com

ROXELL USA, Inc. - 720 Industrial Park Road - Anderson, MO 64831 (USA)
Phone +1 417 845-6065 - Fax. +1 417 845-6069 - E-mail info.usa@roxell.com - Website www.roxell.com